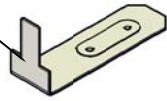
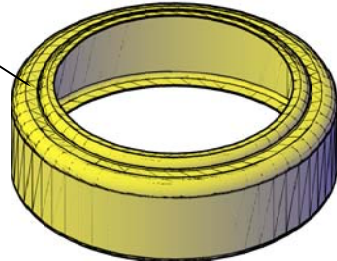


(Scale: 1.8 : 1)

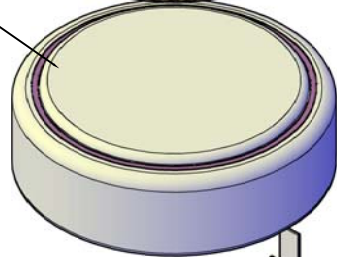
Cathode tab



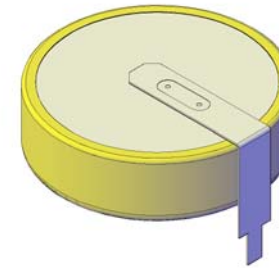
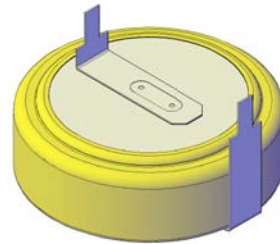
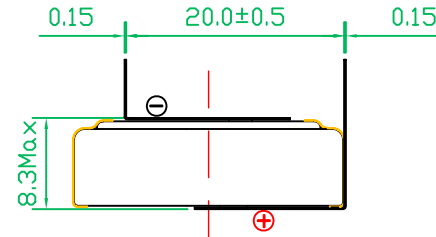
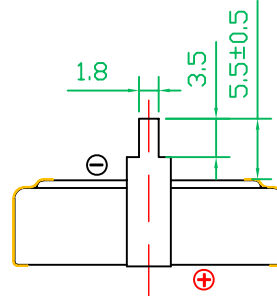
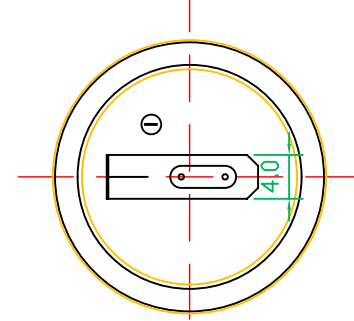
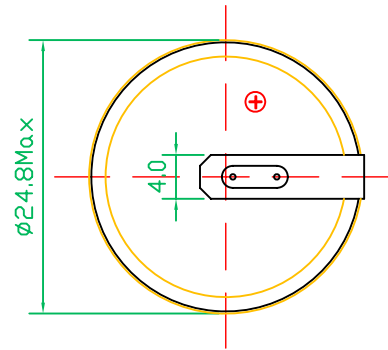
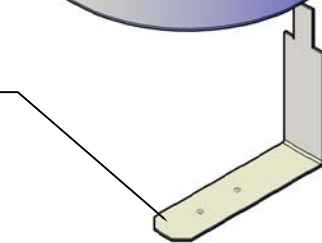
Yellow PVC



Cell :CR2477T  
1000mAh



Anode tab



4	ROHS Compliant			Drawn:	Moyongdi	Revise No.:	E4-2009	
3	Cathode tab	Stainless steel plated with nickel		Checked 1:	Shannon	Projection:		
2	Anode tab	Stainless steel plated with nickel		Checked 2:	Jenny	Page:	1/1	
1	Cell	Button, Yellow PVC, with date code		Title	CR2477T-VCY2	Approved:	Scale:	1.5: 1
NO.	Parts	Description	File NO.	A00442	Draw Date:	2010/05/20	Unit:	mm