

MC3423
MC3523

Overvoltage Crowbar Sensing Circuit

These overvoltage protection circuits (OVP) protect sensitive electronic circuitry from overvoltage transients or regulator failures when used in conjunction with an external "crowbar" SCR. They sense the overvoltage condition and quickly "crowbar" or short circuit the supply, forcing the supply into current limiting or opening the fuse or circuit breaker.

The protection voltage threshold is adjustable and the MC3423/3523 can be programmed for minimum duration of overvoltage condition before tripping, thus supplying noise immunity.

The MC3423/3523 is essentially a "two terminal" system, therefore it can be used with either positive or negative supplies.

MAXIMUM RATINGS

Rating	Symbol	Value	Unit
Differential Power Supply Voltage	V_{CC-VEE}	40	Vdc
Sense Voltage (1)	V_{Sense1}	6.5	Vdc
Sense Voltage (2)	V_{Sense2}	6.5	Vdc
Remote Activation Input Voltage	V_{act}	7.0	Vdc
Output Current	I_O	300	mA
Operating Ambient Temperature Range MC3423 MC3523	T_A	0 to +70 -55 to +125	°C
Operating Junction Temperature Plastic Package Ceramic Package	T_J	125 150	°C
Storage Temperature Range	T_{stg}	-65 to +150	°C

OVERVOLTAGE SENSING CIRCUIT

SILICON MONOLITHIC INTEGRATED CIRCUIT



P1 SUFFIX
 PLASTIC PACKAGE
 CASE 626
 (MC3423 only)

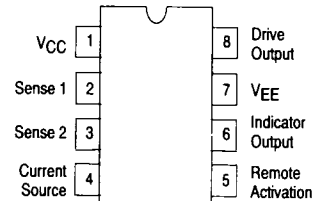


U SUFFIX
 CERAMIC PACKAGE
 CASE 693



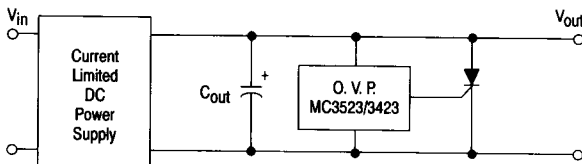
D SUFFIX
 PLASTIC PACKAGE
 CASE 751
 (SOP-8)

PIN CONNECTIONS



(Top View)

Typical Application



ORDERING INFORMATION

Device	Temperature Range	Package
MC3423D	0° to +70°C	SO-8
MC3423P1		Plastic DIP
MC3423U		Ceramic DIP
MC3523U	-55° to +125°C	Ceramic DIP

MC3423, MC3523

ELECTRICAL CHARACTERISTICS (5 V ≤ V_{CC} - V_{EE} ≤ 36 V, T_{low} < T_A < T_{high}, unless otherwise noted.)

Characteristics	Symbol	Min	Typ	Max	Unit
Supply Voltage Range	V _{CC} -V _{EE}	4.5	—	40	Vdc
Output Voltage (I _O = 100 mA)	V _O	V _{CC} -2.2	V _{CC} -1.8	—	Vdc
Indicator Output Voltage (I _O (Ind) = 1.6 mA)	V _{OL} (Ind)	—	0.1	0.4	Vdc
Sense Trip Voltage (T _A = 25°C)	V _{Sense1} , V _{Sense2}	2.45	2.6	2.75	Vdc
Temperature Coefficient of V _{Sense1} (Figure 2)	TCV _{S1}	—	0.06	—	%/°C
Remote Activation Input Current (V _{IH} = 2.0 V, V _{CC} - V _{EE} = 5.0 V) (V _{IL} = 0.8 V, V _{CC} - V _{EE} = 5.0 V)	I _{IH} I _{IL}	— —	5.0 -120	40 -180	μA
Source Current	I _{Source}	0.1	0.2	0.3	mA
Output Current Risetime (T _A = 25°C)	t _r	—	400	—	mA/μs
Propagation Delay Time (T _A = 25°C)	t _{pd}	—	0.5	—	μs
Supply Current MC3423 MC3523	I _D	— —	6.0 5.0	10 7.0	mA

NOTES: T_{low} to T_{high} = -55° to +125°C for MC3523
 = 0° to +70°C for MC3423

Figure 1. Block Diagram

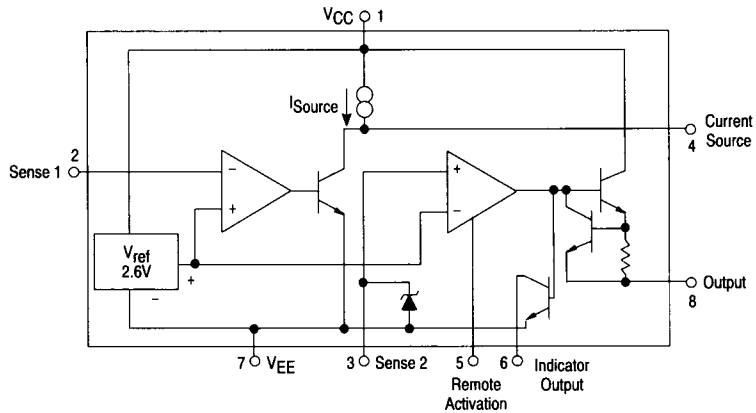
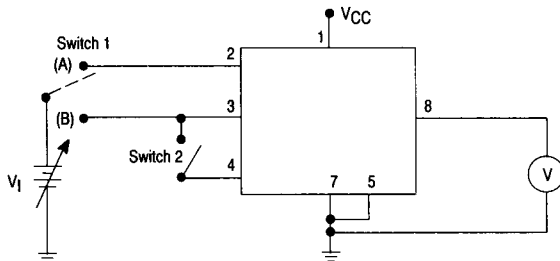


Figure 2. Sense Voltage Test Circuit

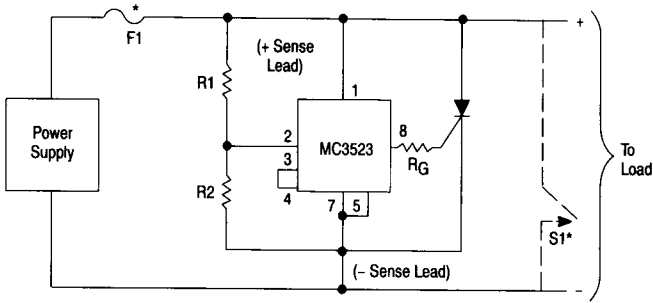


	Switch 1	Switch 2
V _{Sense 1}	Position A	Closed
V _{Sense 2}	Position B	Open

Ramp V₁ until output goes high; this is the V_{Sense} threshold.

MC3423, MC3523

Figure 3. Basic Circuit Configuration



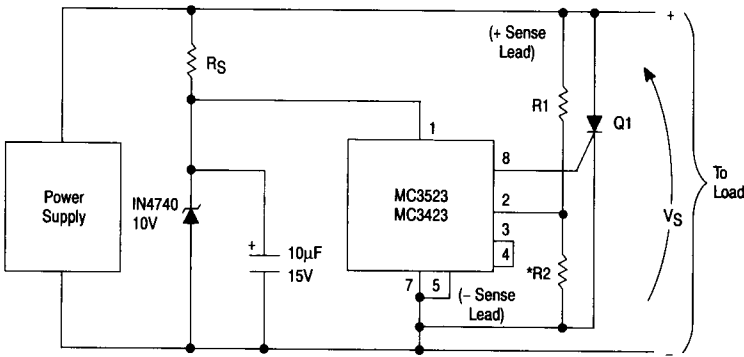
$$V_{trip} = V_{ref} \left(1 + \frac{R1}{R2} \right) \approx 2.6 V \left(1 + \frac{R1}{R2} \right)$$

$R2 \leq 10 \text{ k}\Omega$ for minimum drift

For minimum value of R_G , see Figure 9

*See text for explanation

Figure 4. Circuit Configuration for Supply Voltage Above 36 V



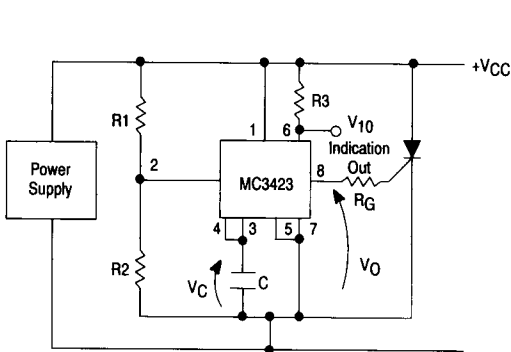
$$R_S = \left(\frac{V_S - 10}{25} \right) \text{ k}\Omega$$

$$V_{trip} = V_{ref} \left(1 + \frac{R1}{R2} \right) \approx 2.6 V \left(1 + \frac{R1}{R2} \right)$$

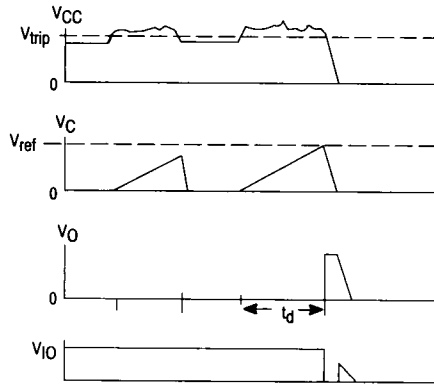
* $R2 \leq 10 \text{ k}\Omega$

- Q1: $V_S \leq 50 \text{ V}$; 2N6504 or equivalent
- $V_S \leq 100 \text{ V}$; 2N6505 or equivalent
- $V_S \leq 200 \text{ V}$; 2N6506 or equivalent
- $V_S \leq 400 \text{ V}$; 2N6507 or equivalent
- $V_S \leq 600 \text{ V}$; 2N6508 or equivalent
- $V_S \leq 800 \text{ V}$; 2N6509 or equivalent

Figure 5. Basic Configuration for Programmable Duration of Overvoltage Condition Before Trip



$$R3 \geq \frac{V_{trip}}{10 \text{ mA}}$$



$$t_d = \frac{V_{ref}}{I_{source}} \times C \approx [12 \times 10^9] C \text{ (See Figure 10)}$$

MC3423, MC3523

APPLICATION INFORMATION

Basic Circuit Configuration

The basic circuit configuration of the MC3423/3523 OVP is shown in Figure 3 for supply voltages from 4.5 V to 36 V, and in Figure 4 for trip voltages above 36 V. The threshold or trip voltage at which the MC3423/3523 will trigger and supply gate drive to the crowbar SCR, Q1, is determined by the selection of R1 and R2. Their values can be determined by the equation given in Figures 3 and 4, or by the graph shown in Figure 8. The minimum value of the gate current limiting resistor, R_G , is given in Figure 9. Using this value of R_G , the SCR, Q1, will receive the greatest gate current possible without damaging the MC3423/3523. If lower output currents are required, R_G can be increased in value. The switch, S1, shown in Figure 3 may be used to reset the crowbar. Otherwise, the power supply, across which the SCR is connected, must be shut down to reset the crowbar. If a non current-limited supply is used, a fuse or circuit breaker, F1, should be used to protect the SCR and/or the load.

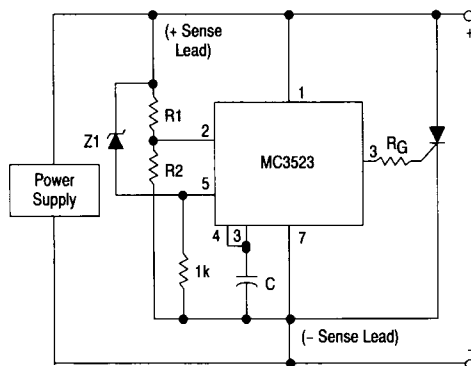
The circuit configurations shown in Figures 3 and 4 will have a typical propagation delay of 1.0 μ s. If faster operation is desired, Pin 3 may be connected to Pin 2 with Pin 4 left floating. This will result in decreasing the propagation delay to approximately 0.5 μ s at the expense of a slightly increased TC for the trip voltage value.

Configuration for Programmable Minimum Duration of Overvoltage Condition Before Tripping

In many instances, the MC3423/3523 OVP will be used in a noise environment. To prevent false tripping of the OVP circuit by noise which would not normally harm the load, MC3423/3523 has a programmable delay feature. To implement this feature, the circuit configuration of Figure 5 is used. In this configuration, a capacitor is connected from Pin 3 to V_{EE} . The value of this capacitor determines the minimum duration of the overvoltage condition which is necessary to trip the OVP. The value of C can be found from Figure 10. The circuit operates in the following manner: When V_{CC} rises above the trip point set by R1 and R2, an internal current source (Pin 4) begins charging the capacitor, C, connected to Pin 3. If the overvoltage condition disappears before this occurs, the capacitor is discharged at a rate ≈ 10 times faster than the charging rate, resetting the timing feature until the next overvoltage condition occurs.

Occasionally, it is desired that immediate crowbaring of the supply occur when a high overvoltage condition occurs, while retaining the false tripping immunity of Figure 5. In this case, the circuit of Figure 6 can be used. The circuit will operate as previously described for small overvoltages, but will immediately trip if the power supply voltage exceeds $V_{Z1} + 1.4$ V.

Figure 6. Configuration for Programmable Duration of Overvoltage Condition Before Trip/With Immediate Trip at High Overvoltages



Additional Features

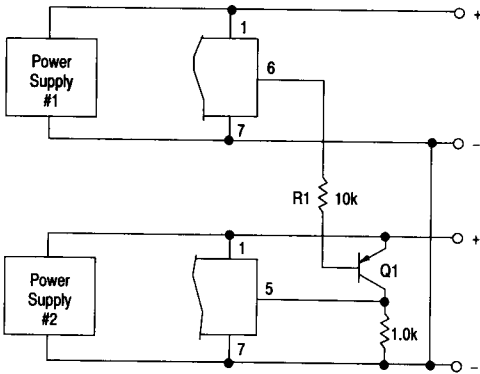
1. Activation Indication Output

An additional output for use as an indicator of OVP activation is provided by the MC3423/3523. This output is an open collector transistor which saturates when the OVP is activated. In addition, it can be used to clock an edge triggered flip-flop whose output inhibits or shuts down the power supply when the OVP trips. This reduces or eliminates the heatsinking requirements for the crowbar SCR.

2. Remote Activation Input

Another feature of the MC3423/3523 is its remote activation input, Pin 5. If the voltage on this CMOS/TTL compatible input is held below 0.8 V, the MC3423/3523 operates normally. However, if it is raised to a voltage above 2.0 V, the OVP output is activated independent of whether or not an overvoltage condition is present. It should be noted that Pin 5 has an internal pull-up current source. This feature can be used to accomplish an orderly and sequenced shutdown of system power supplies during a system fault condition. In addition, the activation indication output of one MC3423/3523 can be used to activate another MC3423/3523 if a single transistor inverter is used to interface the former's indication output to the latter's remote activation input, as shown in Figure 7. In this circuit, the indication output (pin 6) of the MC3423 on power supply 1 is used to activate the MC3423 associated with power supply 2. Q1 is any small PNP with adequate voltage rating.

Figure 7. Circuit Configuration for Activating One MC3523 from Another



Note that both supplies have their negative output leads tied together (i.e., both are positive supplies). If their positive leads are common (two negative supplies) the emitter of Q1 would be moved to the positive lead of supply 1 and R1 would therefore have to be resized to deliver the appropriate drive to Q1.

Crowbar SCR Considerations

Referring to Figure 11, it can be seen that the crowbar SCR, when activated, is subject to a large current surge from the output capacitance, C_{OUT} . This capacitance consists of the power supply output caps, the load's decoupling caps, and in the case of Figure 11A, the supply's input filter caps. This surge current is illustrated in Figure 12, and can cause SCR failure or degradation by any one of three mechanisms: di/dt , absolute peak surge, or I^2t . The interrelationship of these failure methods and the breadth of the applications make specification of the SCR by the semiconductor manufacturer difficult and expensive. Therefore, the designer must empirically determine the SCR and circuit elements which result in reliable and effective OVP operation. However, an understanding of the factors which influence the SCR's di/dt and surge capabilities simplifies this task.

di/dt

As the gate region of the SCR is driven on, its area of conduction takes a finite amount of time to grow, starting as a very small region and gradually spreading. Since the anode current flows through this turned-on gate region, very high current densities can occur in the gate region if high anode currents appear quickly (di/dt). This can result in immediate destruction of the SCR or gradual degradation of its forward blocking voltage capabilities — depending on the severity of the occasion.

Figure 8. R1 versus Trip Voltage

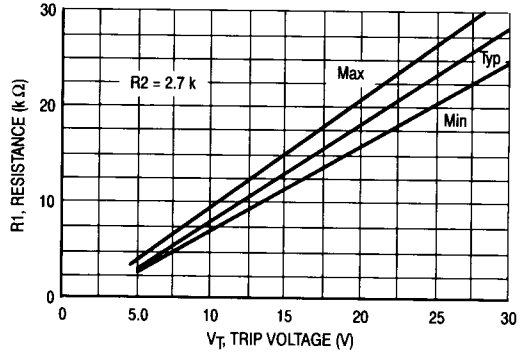


Figure 9. Minimum R_G versus Supply Voltage

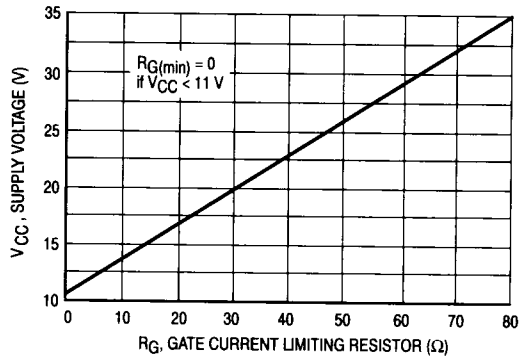


Figure 10. Capacitance versus Minimum Overvoltage Duration

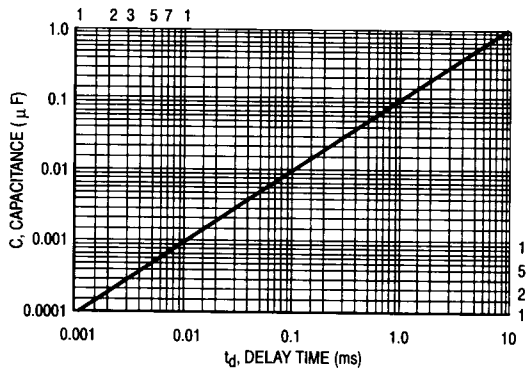
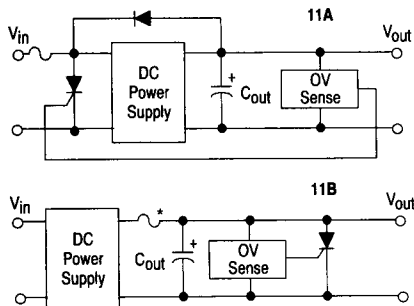


Figure 11. Typical Crowbar OVP Circuit Configurations



*Needed if supply not current limited

Figure 12. Crowbar SCR Surge Current Waveform

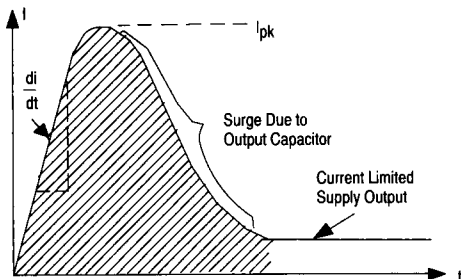
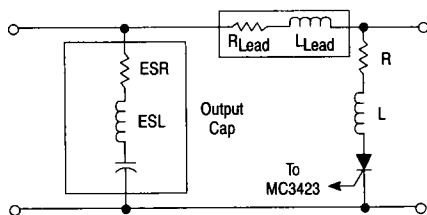


Figure 13. Circuit Elements Affecting SCR Surge & di/dt



R & L EMPIRICALLY DETERMINED!

The usual design compromise then is to use a garden variety fuse (3AG or 3AB style) which cannot be relied on to blow before the thyristor does, and trust that if the SCR does fail, it will fail short circuit. In the majority of the designs, this will be the case, though this is difficult to guarantee. Of course, a sufficiently high surge will cause an open. These comments also apply to the fuse in Figure 11B.

For a complete and detailed treatment of SCR and fuse selection, refer to Motorola Application Note AN-789.

The Value of di/dt that an SCR can safely handle is influenced by its construction and the characteristics of the gate drive signal. A center-gate-fire SCR has more di/dt capability than a corner-gate-fire type, and heavily overdriving (3 to 5 times I_{GT}) the SCR gate with a fast $< 1.0 \mu s$ rise time signal will maximize its di/dt capability. A typical maximum number in phase control SCRs of less than 50 A(RMS) rating might be $200 A/\mu s$, assuming a gate current of five times I_{GT} and $< 1.0 \mu s$ rise time. If having done this, a di/dt problem is seen to still exist, the designer can also decrease the di/dt of the current waveform by adding inductance in series with the SCR, as shown in Figure 13. Of course, this reduces the circuit's ability to rapidly reduce the DC bus voltage and a tradeoff must be made between speedy voltage reduction and di/dt .

Surge Current

If the peak current and/or the duration of the surge is excessive, immediate destruction due to device overheating will result. The surge capability of the SCR is directly proportional to its die area. If the surge current cannot be reduced (by adding series resistance — see Figure 13) to a safe level which is consistent with the systems requirements for speedy bus voltage reduction, the designer must use a higher current SCR. This may result in the average current capability of the SCR exceeding the steady state current requirements imposed by the DC power supply.

A WORD ABOUT FUSING

Before leaving the subject of the crowbar SCR, a few words about fuse protection are in order. Referring back to Figure 11A, it will be seen that a fuse is necessary if the power supply to be protected is not output current limited. This fuse is not meant to prevent SCR failure but rather to prevent a fire!

In order to protect the SCR, the fuse would have to possess an I^2t rating less than that of the SCR and yet have a high enough continuous current rating to survive normal supply output currents. In addition, it must be capable of successfully clearing the high short circuit currents from the supply. Such a fuse as this is quite expensive, and may not even be available.

CROWBAR SCR SELECTION GUIDE

As an aid in selecting an SCR for crowbar use, the following selection guide is presented.

Device	I_{RMS}	I_{FSM}	Package
2N6400 Series	16 A	160 A	TO220 Plastic
2N6504 Series	25 A	160 A	TO220 Plastic
2N1842 Series	16 A	125 A	Metal Stud
2N2573 Series	25 A	260 A	Metal TO-3 Type
2N681 Series	25 A	200 A	Metal Stud
MCR3935-1 Series	35 A	350 A	Metal Stud
MCR81-5 Series	80 A	1000 A	Metal Stud