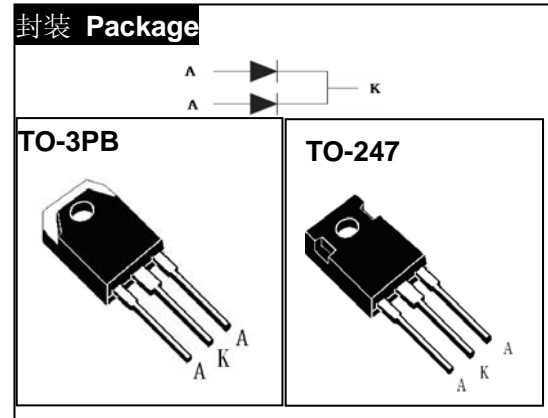




# 60F30SW3/60F30SAB3

## 主要参数 MAIN CHARACTERISTICS

|           |        |
|-----------|--------|
| IF(AV)    | 30 A×2 |
| VRRM      | 300 V  |
| Tj(max)   | 150℃   |
| VF(typ)   | 1.05V  |
| trr (typ) | 40ns   |



## 用途

- 吸收回路
- 开关电源
- UPS
- 高频开关器件并联二极管

## APPLICATIONS

- Snubber diode
- Switch power supply
- UPS
- Antiparalle Diode for high frequency switching devices

## 产品特性

- 低功耗，高效率
- 高可靠性
- 环保（RoHS）产品

## FEATURES

- Low power loss, high efficiency
- High reliability
- RoHS product

## 订货信息 ORDER MESSAGE

| 订货型号<br>Order codes | 印记<br>Marking | 封装<br>Package | 包装<br>Packaging | 器件重量<br>Device Weight |
|---------------------|---------------|---------------|-----------------|-----------------------|
| 60F30SAB3           | 60F30SAB3     | TO-3PB        | 条管 Tube         | 5.20 g(typ)           |
| 60F30SW3            | 60F30SW3      | TO-247        | 条管 Tube         | 5.40 g(typ)           |



绝对最大额定值 ABSOLUTE RATINGS ( $T_c=25^\circ\text{C}$ )

| 项 目<br>Parameter  |  |  | 符 号<br>Symbol | 数 值<br>Value | 单 位<br>Unit      |
|---|--|--|---------------|--------------|------------------|
| 最大反向重复峰值电压<br>Repetitive peak reverse voltage                                     |  |  | $V_{RRM}$     | 300          | V                |
| 正向平均整流电流<br>Average forward current   | $T_c=100^\circ\text{C}$<br>(TO-3PB/<br>TO-247) | 整个器件<br>per device<br>单 侧<br>per diode | $I_{F(AV)}$   | 60<br>30     | A                |
| 峰值单脉冲浪涌电流<br>Peak one Cycle Surge Forward Current(Non-Repetitive) $t=10\text{ms}$ |  |  | $I_{FSM}$     | 270          | A                |
| 结温<br>Junction Temperature  |  |  | $T_j$         | -65~+150     | $^\circ\text{C}$ |
| 储存温度<br>Storage temperature range   |  |  | $T_{STG}$     | -65~+150     | $^\circ\text{C}$ |

电特性 ELECTRICAL CHARACTERISTICS ( $T_c=25^\circ\text{C}$  unless otherwise specified)

| 项 目<br>Parameter | 测试条件<br>Tests conditions  |                  | 最小值<br>Value(min) | 典型值<br>Value(typ) | 最大值<br>Value(max) | 单 位<br>Unit   |
|------------------|---|------------------|-------------------|-------------------|-------------------|---------------|
| $V_{RRM}$        | $I_R=50\mu\text{A}$   |                  | 300               |                   |                   | V             |
| $I_R$            | $T_j=25^\circ\text{C}$  | $V_R=V_{RRM}$    |                   |                   | 50                | $\mu\text{A}$ |
|                  | $T_j=125^\circ\text{C}$   |                  |                   |                   | 1000              | $\mu\text{A}$ |
| $V_F$            | $T_j=25^\circ\text{C}$  | $I_F=30\text{A}$ |                   | 1.05              | 1.3               | V             |
|                  | $T_j=125^\circ\text{C}$   |                  |                   |                   | 1.2               | V             |
| trr              | $I_F=1\text{A}, V_R=30\text{V}, di_F/dt=-200\text{A}/\mu\text{s}$ |                  |                   | 40                | 50                | ns            |

## 热特性 THERMAL CHARACTERISTICS

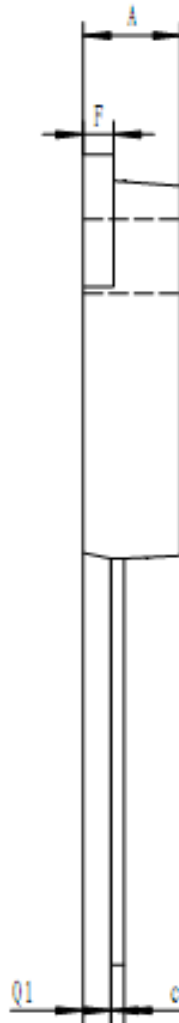
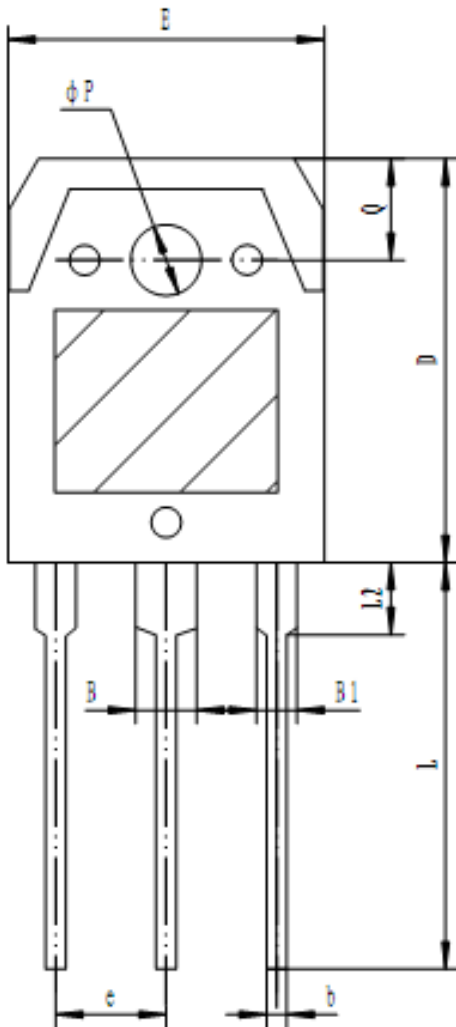
| 项 目<br>Parameter                                    |        | 符 号<br>Symbol | 最小值<br>Value(min) | 最大值<br>Value(max) | 单 位<br>Unit               |
|---|--------|---------------|-------------------|-------------------|---------------------------|
| 结到管壳的热阻<br>Thermal resistance from junction to case | TO-247 | $R_{th(j-c)}$ |                   | 0.4               | $^\circ\text{C}/\text{W}$ |
|   | TO-3PB | $R_{th(j-c)}$ |                   | 0.4               | $^\circ\text{C}/\text{W}$ |





TO-3PB

单位 Unit : mm



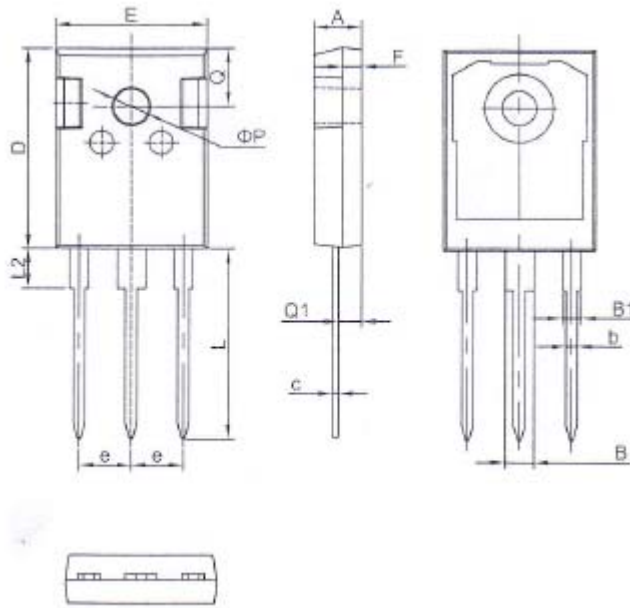
| 符号<br>Symbol | Min        | Max  |
|--------------|------------|------|
| A            | 4.6        | 5.0  |
| B            | 2.9        | 3.2  |
| B1           | 1.9        | 2.2  |
| b            | 0.9        | 1.10 |
| c            | 0.5        | 0.70 |
| D            | 19.4       | 20.4 |
| E            | 15.4       | 15.8 |
| e            | 5.45 (typ) |      |
| F            | 1.4        | 1.60 |
| L            | 19.5       | 20.5 |
| L2           | 3.3        | 3.7  |
| ΦP           | 3.1        | 3.5  |
| Q            | 5.8        | 6.2  |
| Q1           | 1.3        | 1.5  |





TO-247

单位 Unit : mm



| 符号<br>symbol | MIN   | MAX   |
|--------------|-------|-------|
| A            | 4.90  | 5.10  |
| B            | 2.95  | 3.35  |
| B1           | 1.95  | 2.35  |
| b            | 1.15  | 1.35  |
| c            | 0.50  | 0.70  |
| D            | 20.90 | 21.10 |
| E            | 15.70 | 15.90 |
| e            | 5.34  | 5.54  |
| F            | 1.90  | 2.10  |
| L            | 19.40 | 20.40 |
| L2           | 4.03  | 4.23  |
| Q1           | 2.30  | 2.50  |
| P            | 3.50  | 3.70  |



**注意事项**

1. 吉林华微电子股份有限公司的产品销售分为直销和销售代理，无论哪种方式，订货时请与公司核实。
2. 购买时请认清公司商标，如有疑问请与公司本部联系。
3. 在电路设计时请不要超过器件的绝对最大额定值，否则会影响整机的可靠性。
4. 本说明书如有版本变更不另外告知

**NOTES**

1. Jilin Sino-microelectronics co.Ltd sales its product either through direct sales or sales agent , thus, for customers, when ordering , please check with our company.
2. We strongly recommend customers check carefully on the trademark when buying our product, if there is any question, please don't be hesitate to contact us.
3. Please do not exceed the absolute maximum ratings of the device when circuit designing.
4. Jilin Sino-microelectronics co, Ltd reserves the right to make changes in this specification sheet and is subject to change without prior notice.

**联系方式**

吉林华微电子股份有限公司

公司地址：吉林省吉林市深圳街 99 号

邮编：132013

总机：86-432-64678411

传真：86-432-64665812

网址：[www.hwdz.com.cn](http://www.hwdz.com.cn)**市场营销部**

地址：吉林省吉林市深圳街 99 号

邮编：132013

电话：86-432-64675588

64675688

64678411-3098/3099

传真：86-432-64671533

**CONTACT****JILIN SINO-MICROELECTRONICS CO.LTD.**

ADD: No.99 Shenzhen Street, Jilin City, Jilin Province, China.

Post Code: 132013

Tel: 86-432-64678411

Fax: 86-432-64665812

Web Site: [www.hwdz.com.cn](http://www.hwdz.com.cn)**MARKET DEPARTMENT**

ADD: No.99 Shenzhen Street, Jilin City, Jilin Province, China.

Post Code: 132013

Tel: 86-432-64675588

64675688

64678411-3098/3099

Fax: 86-432-64671533

**附录 (Appendix): 修订记录 (Revision History)**

| 日期 Date | 旧版本 Last Rev. | 新版本 New Rev. | 修订内容 Description of Changes |
|---------|---------------|--------------|-----------------------------|
|         |               |              |                             |

