

LED level meter driver, 5-point, linear scale

BA6125

The BA6125 is a driver IC for LED linear level meters in stereo equipment and other display applications.

The IC displays the input level on five LEDs. The display level range is 35mV_{rms} to $175\text{mV}_{\text{rms}}$ in five equally-spaced 35mV_{rms} steps.

The BA6125 includes a rectifier amplifier allowing direct AC input, and has constant-current outputs, so it can directly drive the LEDs without variations in LED current due to supply voltage fluctuations.

●Applications

Battery checkers, signal meters, and other display devices.

●Features

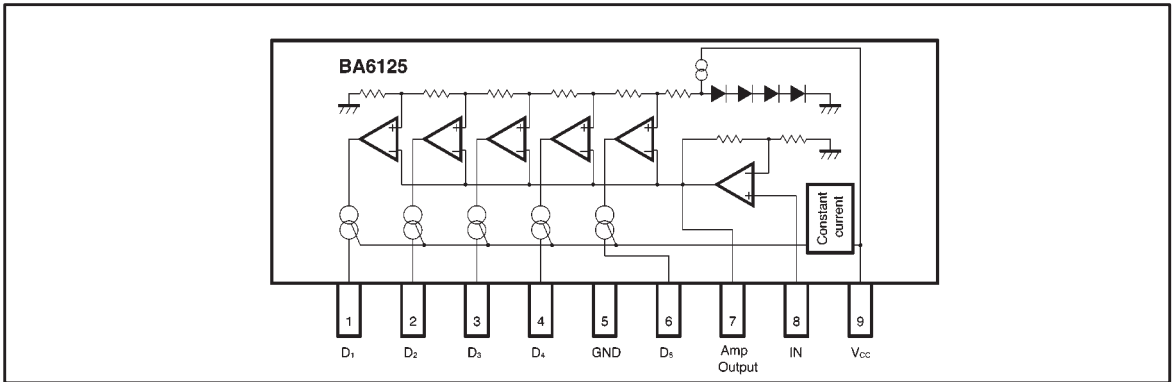
- 1) Rectifier amplifier allows either AC or DC input.
- 2) Constant-current outputs for constant LED current when the supply voltage fluctuates.
- 3) Built-in reference voltage means that power supply voltage fluctuations do not effect the display.
- 4) Wide operating power supply voltage range (3.5V to 16V) for a wide range of applications.
- 5) Low PCB space requirements. Comes in a compact 9-pin SIP package and requires few external components.

●Absolute maximum ratings ($T_a = 25^\circ\text{C}$)

Parameter	Symbol	Limits	Unit
Power supply voltage	V_{CC}	18	V
Power dissipation	P_d	800*	mW
Operating temperature	T_{opr}	$-25 \sim +60$	$^\circ\text{C}$
Storage temperature	T_{stg}	$-55 \sim +125$	$^\circ\text{C}$
Junction temperature	T_j	150	$^\circ\text{C}$

* Reduced by 6.4mW for each increase in T_a of 1°C over 25°C .

●Block diagram



●Electrical characteristics (unless otherwise noted, $T_a = 25^\circ\text{C}$, $V_{CC} = 6.0\text{V}$, and $f = 1\text{kHz}$)

Parameter	Symbol	Min.	Typ.	Max.	Unit	Conditions
Power supply voltage	V_{CC}	3.5	6	16	V	—
Quiescent current	I_Q	—	5	8	mA	$V_{IN}=0\text{V}$
Sensitivity	V_{IN}	—	105	—	mV_{rms}	V_{C3} on level
Comparator level 1	V_{C1}	—	$1/3V_{C3}$	—	mV_{rms}	—
Comparator level 2	V_{C2}	—	$2/3V_{C3}$	—	mV_{rms}	—
Comparator level 3	V_{C3}	—	V_{C3}	—	mV_{rms}	Adjustment point
Comparator level 4	V_{C4}	—	$4/3V_{C3}$	—	mV_{rms}	—
Comparator level 5	V_{C5}	—	$5/3V_{C3}$	—	mV_{rms}	—
LED current	I_{LED}	11	15	18.5	mA	—
Input bias current	I_{INO}	—	0.3	1.0	μA	—

●Measurement circuit

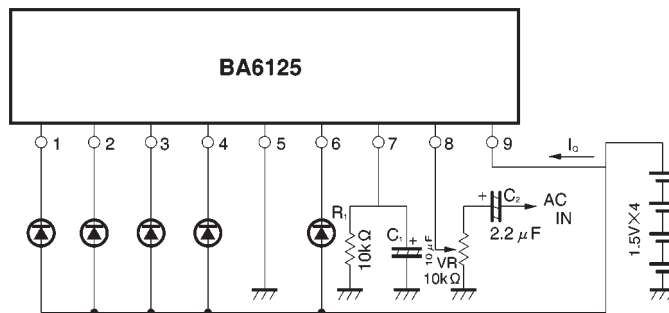


Fig. 1

●Application example

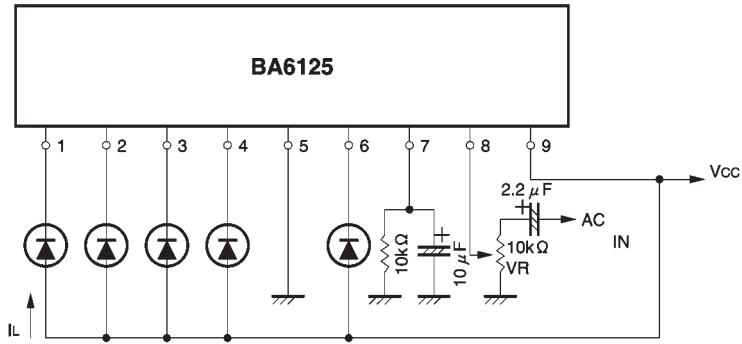


Fig. 2

The response time (attack and release time) can be changed by varying the values of C_1 and R_1 .

C_2 is a coupling capacitor, and the potentiometer VR varies the input level. Input the voltage level that you desire for the center point, and adjust the potentiometer so that the third LED (V_{c3}) lights.

To reduce the LED current, connect a resistor either in parallel (Fig. 3 (1)) or in series (Fig. 3 (2)) with the LED. If a resistor is connected in series with the LED, the LED current will change if the supply voltage fluctuates.

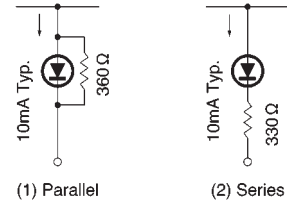


Fig. 3

Note: If the power supply voltage exceeds 9V, insert a resistor in series with the LED current supply line, or connect a heat sink so that the maximum power dissipation $P_d \text{ Max.}$ is not exceeded (see Fig. 4).

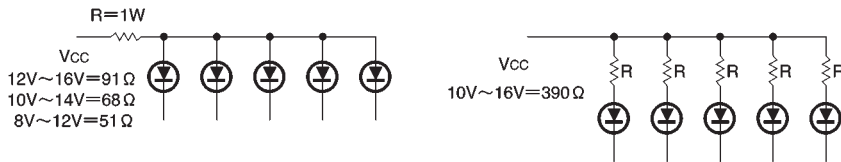


Fig. 4

● Use with DC input

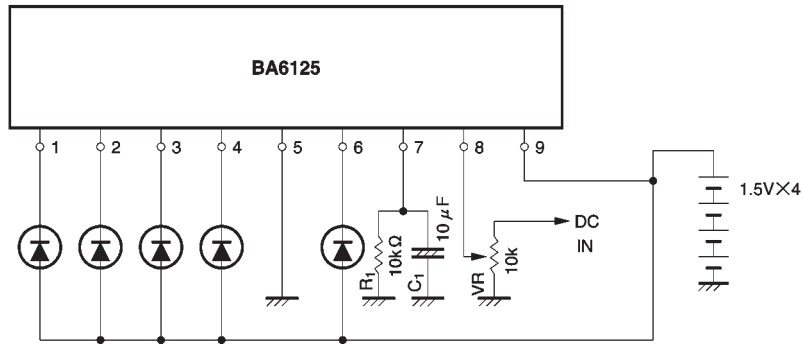


Fig. 5

Use the potentiometer shown in Fig. 5 to adjust the input level. Adjust the potentiometer so that the third LED (V_{C3}) lights for the desired input level.

For large input levels, input via pin 7 is also possible. In this case, the dispersion in comparator level is less than in the case of input via pin 8. Note that, if the resistance value of the 100kΩ potentiometer shown in Fig. 6 is made too small, the discharge time constant determined by C_1 and R_1 will change, and the response time will vary. The maximum input level for pin 7 is 5V.

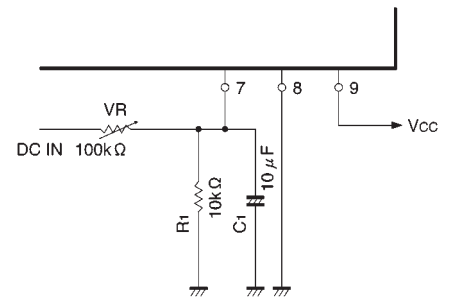


Fig. 6

Comparator level	V_{C1}	V_{C2}	V_{C3}	V_{C4}	V_{C5}	Unit
Pin 7 input (typ.)	0.4	0.8	1.2	1.6	2.0	V

● External dimensions (Units: mm)

