

FK-180SH



Carbon-brush motors

OUTPUT : 0.3W~14W (APPROX)

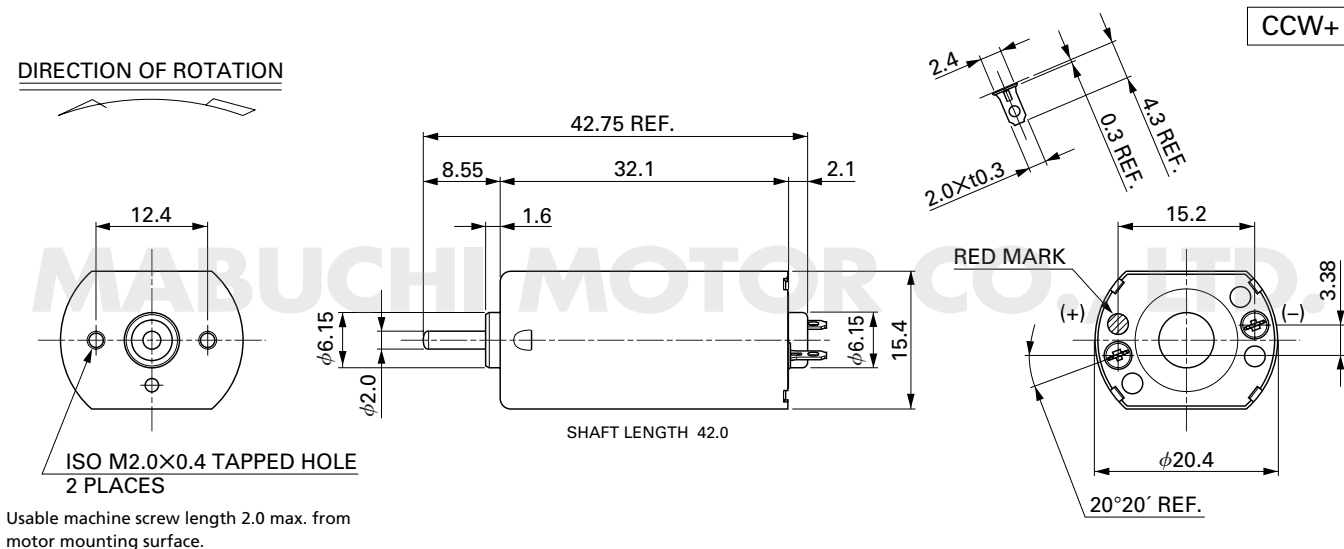
WEIGHT : 32g (APPROX)

Typical Applications Home Appliances : Electric Shaver / Hair Remover / Tooth Brush
Precision Instruments : Printer

MODEL	VOLTAGE		NO LOAD		AT MAXIMUM EFFICIENCY				STALL			
	OPERATING RANGE	NOMINAL	SPEED r/min	CURRENT A	SPEED r/min	CURRENT A	TORQUE mN-m	TORQUE g-cm	OUTPUT W	TORQUE mN-m	TORQUE g-cm	CURRENT A
FK-180SH-14180 (*)	5~12	12V CONSTANT	12000	0.070	9980	0.34	2.31	23.6	2.41	13.7	140	1.70
FK-180SH-3240	2.4~3.0	3V CONSTANT	12900	0.26	11030	1.54	2.48	25.2	2.86	17.1	174	9.07
FK-180SH-10400	12~24	24V CONSTANT	10200	0.030	8570	0.16	2.51	25.6	2.25	15.7	160	0.83

(*1) CCW shifted commutation (CCW+)

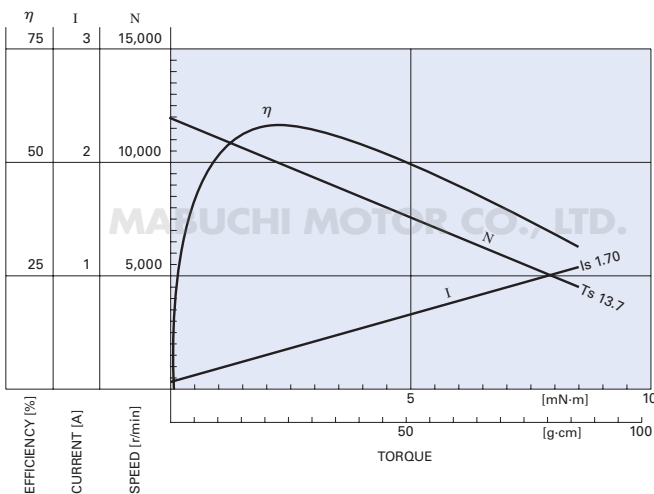
DIRECTION OF ROTATION



UNIT: MILLIMETERS

FK-180SH-14180

12.0V



FK-180SH-3240

3.0V

