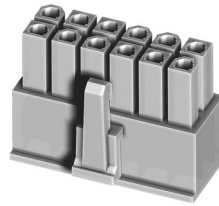


# CP-011 Series Receptacle Connectors

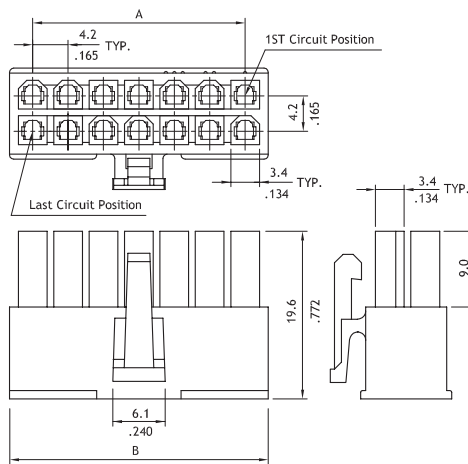
- With locking latch
- Available in 2 through 24 circuits
- Mates with CP-012, CP-013 or CP-014 connector
- Nylon 66 UL 94V-0 or V-2 insulator material
- Can be used CP-011 crimp terminal
- Terminal accommodated AWG #16 ~ #26



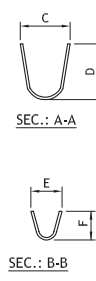
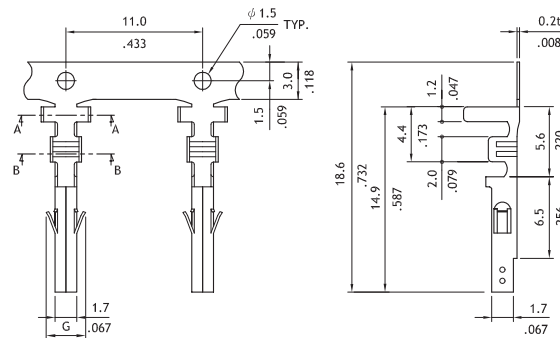
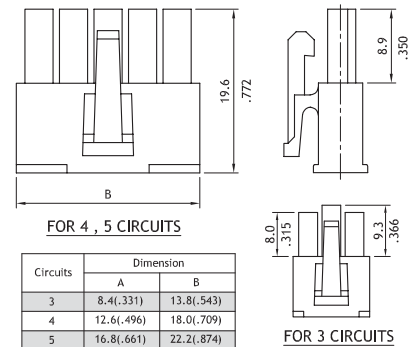
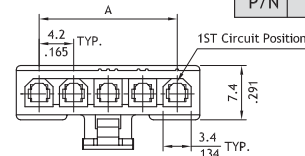
**RoHS** Compliant

**UL** **UL** :E159616

P/N CP-011\*\*0\*S



Circuits	Dimension	
	A	B
2	-	5.5(.217)
4	4.2(1.65)	9.7(.382)
6	8.4(.331)	13.9(.547)
8	12.6(.496)	18.1(.713)
10	16.8(.661)	22.3(.878)
12	21.0(.827)	26.5(1.043)
14	25.2(.992)	30.7(1.209)
16	29.4(1.157)	34.9(1.374)
18	33.6(1.322)	39.1(1.539)
20	37.8(1.487)	43.3(1.705)
22	42.0(1.652)	47.5(1.870)
24	46.2(1.817)	51.7(2.035)



Part No.	Wire Range	Dimension					Insulation Range	Material	Reel Qty
		C	D	E	F	G			
CP-01100101	AWG #22-26	3.4(.134)	3.3(.130)	2.5(.098)	2.3(.091)	2.6(.102)	0.9-1.8(.035-.071)	Brass	5,000 PCS
CP-01100102	AWG #18-22	4.0(.158)	4.5(.177)	2.5(.098)	2.3(.091)	3.2(.126)	1.3-3.1(.051-.122)	Brass	4,000 PCS
CP-01100103	AWG #22-26	3.4(.134)	3.3(.130)	2.5(.098)	2.3(.091)	2.6(.102)	0.9-1.8(.035-.071)	Phosphor Bronze	5,000 PCS
CP-01100104	AWG #18-22	4.0(.158)	4.5(.177)	2.5(.098)	2.3(.091)	3.2(.126)	1.3-3.1(.051-.122)	Phosphor Bronze	4,000 PCS
CP-01100105	AWG #16	4.0(.158)	4.5(.177)	2.8(.110)	2.7(.106)	3.2(.126)	1.8-3.1(.071-.122)	Brass	4,000 PCS
CP-01100106	AWG #16	4.0(.158)	4.5(.177)	2.8(.110)	2.7(.106)	3.2(.126)	1.8-3.1(.071-.122)	Phosphor Bronze	4,000 PCS
CP-01100104-HC	AWG #18-22	4.0(.158)	4.5(.177)	2.5(.098)	2.3(.091)	3.2(.126)	1.3-3.1(.051-.122)	High electric conductive copper alloy	4,000 PCS
CP-01100106-HC	AWG #16	4.0(.158)	4.5(.177)	2.8(.110)	2.7(.106)	3.2(.126)	1.8-3.1(.071-.122)	High electric conductive copper alloy	4,000 PCS

## Ordering Code

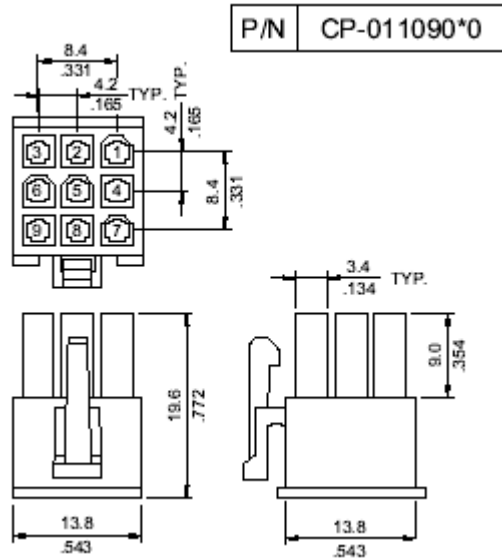
**1** **CP - 01** **1** **24** **0** **1** **0**

**1** Series No.  
**2** Contact Type:  
 1 = Receptacle

**3** No of Circuits  
 02 to 24 (Dual Row)  
 03 to 05 (Single Row)  
**4** Plating code:  
 0=Non plating

**5** Variation  
 1= UL 94V-2 ; 6= UL 94V-2, BMI Type  
 3= UL 94V-0 ; 7= UL 94V-0, BMI Type  
**6** Other options:  
 0= Standard ; S=Single row  
 \*Special options Consult manufacturer\*

**CP-011 Series Receptacle Connectors**



CP

WIRE TO BOARD