

## GENERAL DESCRIPTION

The ft2705 is a highly efficient 2X10W Class-D stereo audio power amplifier with automatic level control (ALC). It operates with a wide range of supply voltages from 4.5V to 8.8V in either dual bridge-tied-load (BTL) or parallel bridge-tied-load (PBTL) configuration. With a supply voltage at 8.8V, the ft2705 can deliver 10W per channel into a pair of 4Ω speakers in dual BTL configuration (stereo mode), or 14W into a single 3Ω speaker in PBTL configuration (mono mode), with 10% THD+N.

The ft2705 features ALC to constantly monitor and safeguard the audio outputs against the supply voltage, preventing output clipping distortion, excessive power dissipation, or speaker over-load. Once an over-level condition is detected in either channel, the ALC lowers the voltage gain of both audio amplifiers together to eliminate output clipping distortion while maintaining a maximum dynamic range of the audio outputs allowed for the supply voltage. In ALC mode, with a supply voltage at 8.8V, the ft2705 can deliver 7.7W per channel into a pair of 4Ω speakers in stereo mode, or 11W into a single 3Ω speaker in mono mode, with THD+N less than 0.5%.

As a filterless Class-D stereo audio amplifier, the ft2705 features high efficiency (up to 88%), high PSRR (70dB at 1kHz), and low EMI emissions, which reduce design and manufacturing complexities, lower system cost and PCB space.

In ft2705, comprehensive protection features against various operating faults ensure its safe and reliable operation.

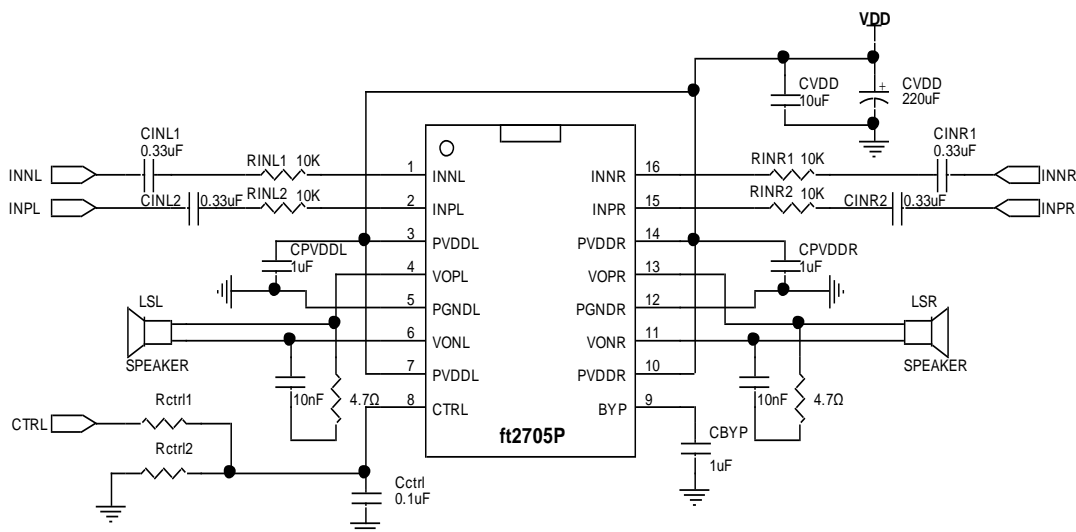
## FEATURES

- Wide supply voltage range from 4.5V to 8.8V
- Automatic level control to eliminate output clipping
- Optional mono mode for low-impedance audio speakers in PBTL configuration
- Maximum output power in Non-ALC mode (V<sub>DD</sub>=8.8V, f=1kHz, THD+N=10%)
  - 14W (3Ω+33μH load in PBTL configuration)
  - 10W/Ch (4Ω+33μH load)
  - 5.6W/Ch (8Ω+33μH load)
- ALC output power in ALC Mode (V<sub>DD</sub>=8.8V, f=1kHz, THD+N<0.5%)
  - 11W (3Ω+33μH load in PBTL configuration)
  - 7.7W/Ch (4Ω+33μH load)
  - 4.3W/Ch (8Ω+33μH load)
- Low THD+N: 0.06% (V<sub>DD</sub>=8.8V, f=1kHz, 4Ω+33μH, P<sub>o</sub>=5.0W)
- High efficiency up to 88%
- High PSRR: 70dB at 1kHz
- Wide ALC dynamic range: 10dB
- Maximum voltage gain: 32dB
- Under-voltage lockout protection
- Over-temperature shutdown protection
- Auto-recovering over-current protection
- Available in SOP-16L package

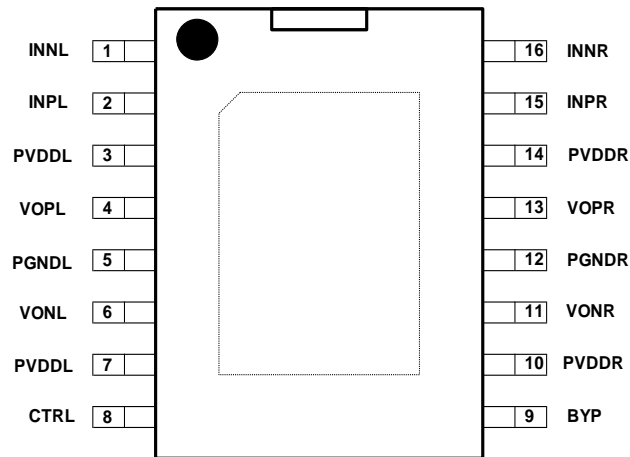
## APPLICATIONS

- Blue Tooth Speakers
- Portable & Plug-In Consumer Electronics
- TV/Monitors

## TYPICAL APPLICATION CIRCUIT



## PIN CONFIGURATION AND DESCRIPTION



**ft2705P (TOP VIEW)**

NAME	PIN #	TYPE	DESCRIPTION
INNL	1	AI	Left-channel inverting audio input terminal.
INPL	2	AI	Left-channel non-inverting audio input terminal.
PVDDL	3, 7	P	Power supply for the left-channel power amplifier's output stage. Connect directly to the system power supply VDD and add a 1 $\mu$ F capacitor for decoupling.
VOPL	4	AO	Left-channel non-inverting audio output terminal.
PGNDL	5	G	Power ground for the left-channel power amplifier's output stage. Connect to the system ground GND.
VONL	6	AO	Left-channel inverting audio output terminal.
CTRL	8	DI	<b>Mode Control</b> (Active High) with a 300k $\Omega$ internal pulldown resistor to ground.
BYP	9	AO	Common-mode bias for audio inputs. Connect to a 1 $\mu$ F capacitor for decoupling.
PVDDR	10, 14	P	Power supply for the right-channel power amplifier's output stage. Connect directly to the system power supply VDD and add a 1 $\mu$ F capacitor for decoupling.
VONR	11	AO	Right-channel inverting audio output terminal.
PGNDR	12	G	Power ground for the right-channel power amplifier's output stage. Connect to the system ground GND.
VOPR	13	AO	Right-channel non-inverting audio output terminal.
INPR	15	AI	Right-channel non-inverting audio input terminal. Connect to ground for mono mode.
INNR	16	AI	Right-channel inverting audio input terminal. Connect to ground for mono mode.

## ORDERING INFORMATION

PART NUMBER	TEMPERATURE RANGE	PACKAGE
ft2705P	-40°C to +85°C	SOP-16L

## REVISION HISTORY

### Initial Release 1.0 (May, 2015)

#### Changed from Initial 1.0 (May, 2015) to Revision 1.1 (December, 2016)

1. Changed the absolute maximum rating of the supply voltage from 9.2V to 9V.
2. Changed the recommended maximum operating voltage from 9V to 8.8V.
3. Changed input capacitors (C <sub>INL1</sub> , C <sub>INL2</sub> , C <sub>INR1</sub> , and C <sub>INR2</sub> ) from 1.0μF to 0.33μF in Typical Application Circuits.
4. Changed the minimum load resistance in PBTL configuration from 2.6Ω to 2.0Ω.
5. Revised Table 5, Typical Voltage Gain Settings & Input Resistor Values for Various Input Levels.

#### Changed from Revision 1.1 (December, 2016) to Revision 1.2 (January, 2017)

1. Added snubber circuits across audio outputs VOPL/R and VONL/R in Figure 1, 31, 32, and 32.
-----------------------------------------------------------------------------------------------

#### Changed from Revision 1.2 (January, 2017) to Revision 1.3 (April, 2017)

1. Revised Table 5, Typical Voltage Gain Settings & Input Resistor Values for Various Input Levels.
2. Revised Figure 30 - Class-D Output RC Snubber Circuit.
3. Changed the minimum load resistance in PBTL configuration from 2.0Ω to 2.4Ω for the supply voltage at 8.8V.
4. Changed the absolute maximum rating of the supply voltage from 9V to 9.2V.
5. Updated Typical Application Circuit Diagram on the first page.
6. Updated Typical Application Circuits in Figure 31, 32, and 33.

#### Changed from Revision 1.3 (April, 2017) to Revision 1.4 (June, 2017)

1. Added Electrical Characteristics of P <sub>o</sub> , THD+N, and η for speaker loads at R <sub>L</sub> =2Ω+10μH.
--------------------------------------------------------------------------------------------------------------------

#### Changed from Revision 1.4 (June, 2017) to Revision 1.5 (November, 2017)

1. Changed C <sub>PVDDL/R</sub> from 10μF to 1μF.
2. Added C <sub>VDD</sub> of 10μF//220μF onto the system power supply.
3. Updated Typical Application Circuit on Page 1.
4. Updated Figure 31, 32, and 33 on Page 24.

**ABSOLUTE MAXIMUM RATINGS** (Note 1)

PARAMETER	VALUE
Supply voltage, $V_{DD}$ @ PVDDL/R	-0.3V to 9.2V
INNLR, INPLR, CTRL, BYP	-0.3V to 5.5V
All other Pins	-0.3V to $V_{DD}+0.3V$
Storage Temperature	-65°C to +150°C
ESD Ratings-Human Body Model (HBM)	2000V
Junction Temperature	150°C
Maximum Soldering Temperature (@10 second duration)	260°C

Note 1: Stresses beyond those listed under absolute maximum ratings may cause permanent damage to the device. These are stress ratings only, and functional operation of the device at these or any other conditions beyond those indicated under recommended operating conditions is not implied. Exposure to absolute-maximum-rated conditions for extended periods may damage the device or affect device reliability.

**POWER DISSIPATION RATINGS** (Note 2, 3)

PACKAGE	$T_A \leq +25^\circ\text{C}$	$T_A = +70^\circ\text{C}$	$T_A = +85^\circ\text{C}$	$\Theta_{JA}$
SOP-16L	3.1W	2.0W	1.7W	40°C/W

Note 2: The thermal pad of the package must be directly soldered onto a grounded metal island (as a thermal sink) on the system board.

Note 3: The power dissipation ratings are for a two-side, two-plane printed circuit board (PCB).

**RECOMMENDED OPERATING CONDITIONS**

PARAMETER	SYMBOL	CONDITIONS	MIN	TYP	MAX	UNIT	
Supply Voltage	$V_{DD}$	PVDDL/R	4.5		8.8	V	
Minimum Load Resistance	$R_L$	Stereo Mode	3.2	4.0		$\Omega$	
		Mono Mode	$V_{DD}=8.8V$	2.4	3.0		$\Omega$
			$V_{DD}=8.4V$	2.0	2.4		$\Omega$
Audio Input Resistor	$R_{IN}$	@ INNLR, INPLR	0		62	k $\Omega$	
Audio Input Capacitor	$C_{IN}$	@ INNLR, INPLR	0.1		1.0	$\mu\text{F}$	
Operating Mode Control Input Voltage	$V_{CTRL}$	Shutdown			0.4	V	
		ALC Mode	1.1	1.25	1.4	V	
		Non-ALC Mode	1.6			V	
Operating Junction Temperature	$T_J$		-40		125	°C	
Ambient Temperature	$T_A$		-40		85	°C	

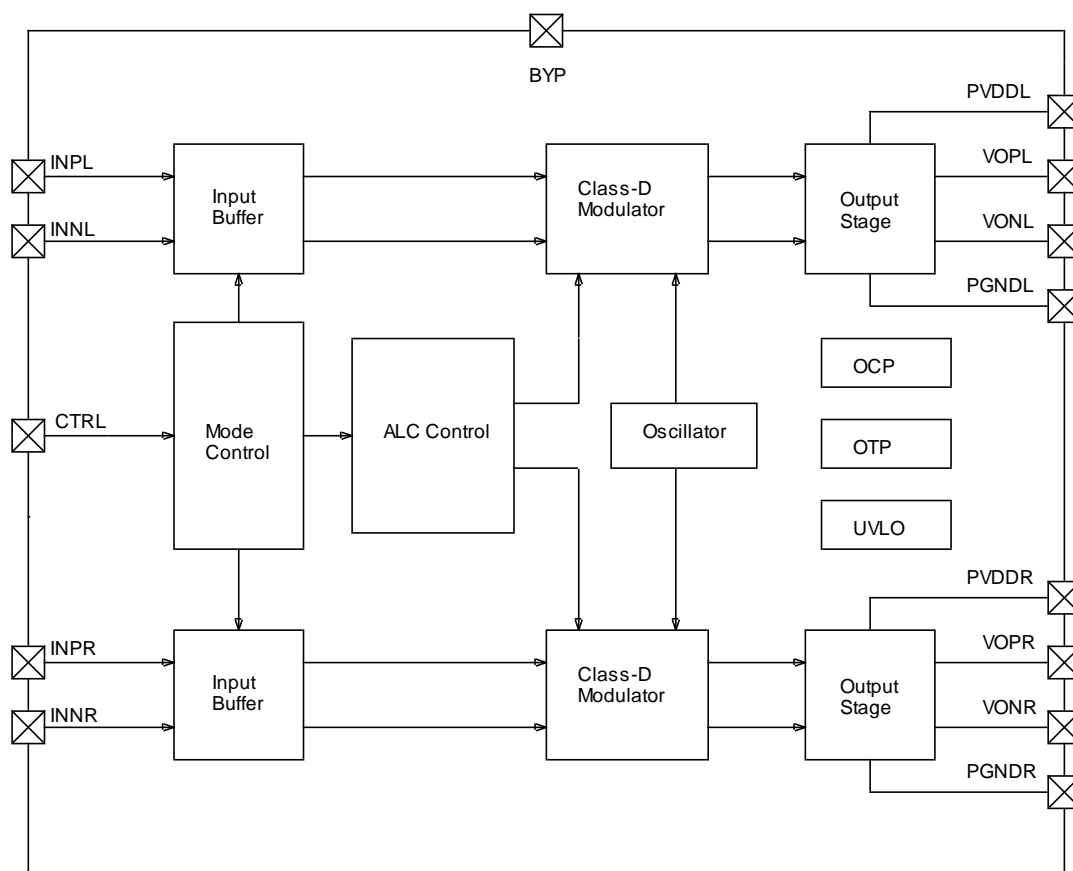
Note 4: The peak supply voltage including its tolerance over various operating conditions must not exceed its absolute-maximum-rated value (9.2v). Exposure to absolute-maximum-rated supply voltage may damage the device or affect device reliability permanently. For applications where the system supply voltage might momentarily exceed the rating, it is highly recommended to add an external diode in series with the system power supply to ensure the peak supply voltage not exceeding the absolute maximum rating. The added diode must be rated for a current no less than 4A and a reverse breakdown voltage no less than 15V.

Note 5: For applications where the supply voltage is higher than 8.4V, it is recommended to add a RC snubber circuit across VOPL/R and VONL/R pins to lower overshoot voltages (above VDD) and undershoot voltages (below GND), preventing permanent damage to the device for applications with long speaker wires.

## IMPORTANT APPLICATION NOTES

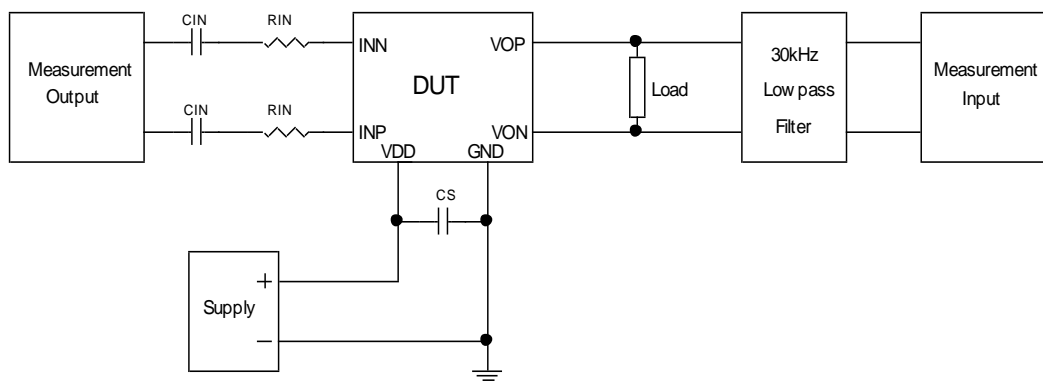
1. For enhanced audio performance, it is recommended to use differential inputs from the audio source for ft2705. In single-ended input applications, the unused audio input of ft2705 should be AC-grounded at the audio source. The impedances seen at the two differential inputs should be substantially the same.
2. The ft2705 requires adequate power supply decoupling to ensure its optimum operation and performance in the output power, efficiency, distortion, and EMI emissions. Place each decoupling capacitors individually as close as possible to the device's PVDDL/R pins.
3. The ft2705 is a high performance, high power, Class-D stereo audio amplifier with an exposed thermal pad underneath the package. The thermal pad should be directly soldered onto a ground plane as a thermal sink for proper power dissipation. Failure to do so may result in the device prematurely going into thermal shutdown.
4. It is strongly recommended to add a ground plane (GND) for ft2705 on the system board.
5. Use a simple ferrite bead filter for further EMI suppression, as shown in Figure 29. Choose a ferrite bead with a rated current no less than 3A for applications with load resistances less than  $4\Omega$ . Also, place respective ferrite bead filters as individually close to VOPL/R and VONL/R pins as possible.
6. To enhance long-term reliability, it is highly recommended to add a simple RC snubber circuit, as shown in Figure 30, across the two audio outputs, VOPL/R and VONL/R, of each individual channel to prevent the device from accelerated deterioration or abrupt destruction due to excessive inductive flybacks that are induced on fast output switching or by an over-current or short-circuit condition.
7. Do not short audio outputs (VOPL/R and VONL/R) directly to ground (PGNDL/R) or the supply voltage (PVDDL/R) as this might damage the device permanently, particularly when the supply voltage is higher than 8.4V.

**FUNCTIONAL BLOCK DIAGRAM**



**Figure 1: Simplified Functional Block Diagram of ft2705**

**TEST SETUP FOR ELECTRICAL & PERFORMANCE CHARACTERISTICS**



**Figure 2: Test Setup Diagram for ft2705**

All parameters specified in Electrical and Typical Performance Characteristics sections are measured according to the conditions:

1. The two differential inputs are shorted for common-mode input voltage measurement. All other parameters are taken with input resistors  $R_{IN}=10k\Omega$  and input capacitors  $C_{IN}=0.33\mu F$ , unless otherwise specified.
2. The supply decoupling capacitors  $C_{PVDDL}=1\mu F$  and  $C_{PVDDR}=1\mu F$  is placed close to their individual pins.
3. A  $33\mu H$  inductor was placed in series with the load resistor to emulate a speaker load for all AC and dynamic parameters.
4. The 33kHz lowpass filter is added even if the analyzer has an internal lowpass filter. An RC lowpass filter ( $100\Omega, 47nF$ ) is used on each output for the data sheet graphs.

## ELECTRICAL CHARACTERISTICS

$V_{DD}=8.8V$ ,  $f=1kHz$ , Stereo Mode, Load= $4\Omega+33\mu H$ ,  $C_{IN}=0.33\mu F$ ,  $R_{IN}=10k\Omega$ ,  $C_{BYP}=1\mu F$ ,  $C_{PVDDL/R}=1\mu F$ ,  $T_A=25^\circ C$ , unless otherwise specified.

SYMBOL	PARAMETER	CONDITIONS	MIN	TYP	MAX	UNIT
$V_{DD}$	Supply Voltage	PVDDL/R	4.5		8.8	V
VUVLOUP	Power-up Threshold Voltage	$V_{DD}$ from Low to High		3.2		V
VUVLODN	Power-off Threshold Voltage	$V_{DD}$ from High to Low		2.9		V
$V_{BYP}$	Common-mode Bias Voltage	$V_{DD}=8.8V$	2.7	3.0	3.3	V
$I_{VDD}$	Supply Quiescent Current Inputs AC-Grounded No Load	$V_{DD}=8.8V$	12	16	20	mA
		$V_{DD}=7.2V$	10	13	16	mA
		$V_{DD}=6.5V$	9	12	15	mA
	Supply Quiescent Current Inputs AC-Grounded No Load (PBTL Configuration)	$V_{DD}=8.8V$	11	15	19	mA
		$V_{DD}=7.2V$	9	12	15	mA
		$V_{DD}=6.5V$	8	11	14	mA
$I_{SD}$	Shutdown Current	CTRL Low		10	20	$\mu A$
$V_{CTRL}$	Operating Mode Control Threshold Voltage	Shutdown Mode			0.4	V
		ALC Mode	1.1		1.4	V
		Non-ALC Mode	1.6			V
$V_{MONO}$	Mono Mode Threshold Voltage	@ INNR and INPR			0.4	V
$R_{CTRL}$	Pulldown Resistor to Ground	@ CTRL		300		k $\Omega$
TOTP	Over-Temperature Threshold			160		$^\circ C$
THYS	Over-Temperature Hysteresis			20		$^\circ C$

### CLASS-D AMPLIFIER

$P_{O, MAX}$ ( $R_L=3\Omega$ )	THD+N=10%, Non-ALC Mode (PBTL Configuration)	$V_{DD}=8.8V$		14		W
		$V_{DD}=7.2V$		9.6		W
		$V_{DD}=6.5V$		7.8		W
	THD+N=1%, Non-ALC Mode (PBTL Configuration)	$V_{DD}=8.8V$		11.5		W
		$V_{DD}=7.2V$		7.7		W
		$V_{DD}=6.5V$		6.2		W
$P_{O, MAX}$ ( $R_L=4\Omega$ )	THD+N=10%, Non-ALC Mode	$V_{DD}=8.8V$		10		W/Ch
		$V_{DD}=7.2V$		6.7		W/Ch
		$V_{DD}=6.5V$		5.5		W/Ch
	THD+N=1%, Non-ALC Mode	$V_{DD}=8.8V$		8.0		W/Ch
		$V_{DD}=7.2V$		5.4		W/Ch
		$V_{DD}=6.5V$		4.4		W/Ch
$P_{O, MAX}$ ( $R_L=8\Omega$ )	THD+N=10%, Non-ALC Mode	$V_{DD}=8.8V$		5.6		W/Ch
		$V_{DD}=7.2V$		3.8		W/Ch
		$V_{DD}=6.5V$		3.1		W/Ch
	THD+N=1%, Non-ALC Mode	$V_{DD}=8.8V$		4.6		W/Ch
		$V_{DD}=7.2V$		3.0		W/Ch
		$V_{DD}=6.5V$		2.5		W/Ch
$P_{O, ALC}$ ( $R_L=3\Omega$ )	ALC Mode (PBTL Configuration)	$V_{DD}=8.8V$ , $V_{IN}=0.30V_{RMS}$		11		W
		$V_{DD}=7.2V$ , $V_{IN}=0.24V_{RMS}$		7.4		W
		$V_{DD}=6.5V$ , $V_{IN}=0.22V_{RMS}$		6.0		W

## ELECTRICAL CHARACTERISTICS (Cont'd)

V<sub>DD</sub>=8.8V, f=1kHz, Stereo Mode, Load=4Ω+33μH, C<sub>IN</sub>=0.33μF, R<sub>IN</sub>=10kΩ, C<sub>BYP</sub>=1μF, C<sub>PVDDL/R</sub>=1μF, T<sub>A</sub>=25°C, unless otherwise specified.

SYMBOL	PARAMETER	CONDITIONS	MIN	TYP	MAX	UNIT
P <sub>O, ALC</sub> (R <sub>L</sub> =4Ω)	ALC Mode	V <sub>DD</sub> =8.8V, V <sub>IN</sub> =0.30V <sub>RMS</sub>		7.7		W/Ch
		V <sub>DD</sub> =7.2V, V <sub>IN</sub> =0.24V <sub>RMS</sub>		5.2		W/Ch
		V <sub>DD</sub> =6.5V, V <sub>IN</sub> =0.22V <sub>RMS</sub>		4.2		W/Ch
P <sub>O, ALC</sub> (R <sub>L</sub> =8Ω)	ALC Mode	V <sub>DD</sub> =8.8V, V <sub>IN</sub> =0.30V <sub>RMS</sub>		4.3		W/Ch
		V <sub>DD</sub> =7.2V, V <sub>IN</sub> =0.24V <sub>RMS</sub>		2.8		W/Ch
		V <sub>DD</sub> =6.5V, V <sub>IN</sub> =0.22V <sub>RMS</sub>		2.4		W/Ch
THD+N (R <sub>L</sub> =3Ω)	V <sub>DD</sub> =8.8V, Non-ALC Mode (PBTL Configuration)	P <sub>O</sub> =6.5W		0.08		%
	V <sub>DD</sub> =8.8V, ALC Mode (PBTL Configuration)	P <sub>O</sub> =11W, V <sub>IN</sub> =0.30V <sub>RMS</sub>		0.5		%
THD+N (R <sub>L</sub> =4Ω)	V <sub>DD</sub> =8.8V, Non-ALC Mode	P <sub>O</sub> =5.0W		0.06		%
	V <sub>DD</sub> =8.8V, ALC Mode	P <sub>O</sub> =7.7W, V <sub>IN</sub> =0.30V <sub>RMS</sub>		0.4		%
THD+N (R <sub>L</sub> =8Ω)	V <sub>DD</sub> =8.8V, Non-ALC Mode	P <sub>O</sub> =2.5W		0.04		%
	V <sub>DD</sub> =8.8V, ALC Mode	P <sub>O</sub> =4.3W, V <sub>IN</sub> =0.30V <sub>RMS</sub>		0.3		%
A <sub>v</sub>	Overall Voltage Gain	R <sub>IN</sub> =10kΩ		28		dB
R <sub>IN</sub>	Input Resistance	@ INNL/R, INPL/R		15		kΩ
R <sub>O, SD</sub>	Output Resistance in Shutdown	@ INNL/R, INPL/R with CTRL Low		2.5		kΩ
V <sub>OS</sub>	Output Offset Voltage	No Load		±10		mV
V <sub>N</sub>	Idle-Channel Noise	A <sub>v</sub> =25dB (R <sub>IN</sub> =20kΩ), Inputs AC-Grounded, A-weighted		130		μV <sub>RMS</sub>
η	Power Efficiency	V <sub>DD</sub> =8.8V, P <sub>O</sub> =11W, R <sub>L</sub> =3Ω		85		%
		V <sub>DD</sub> =8.8V, P <sub>O</sub> =7.7W, R <sub>L</sub> =4Ω		88		%
		V <sub>DD</sub> =8.8V, P <sub>O</sub> =4.3W, R <sub>L</sub> =8Ω		89		%
PSRR	Power Supply Rejection Ratio	f=1kHz		70		dB
CMRR	Common Mode Rejection Ratio	f=1kHz		65		dB
SNR	Signal-to-Noise Ratio	A <sub>v</sub> =25dB (R <sub>IN</sub> =20kΩ), Maximum Output (5.6V <sub>RMS</sub> ), A-weighted		92		dB
Crosstalk	Channel Separation	P <sub>O</sub> =5.0W, f=1kHz		80		dB
T <sub>STUP</sub>	Startup Time			160		ms
T <sub>SD</sub>	Shutdown Mode Settling Time			20		ms
f <sub>SW</sub>	PWM Output Carrier Frequency			375		kHz
I <sub>LIMIT</sub>	Over-Current Limit	Dual BTL Configuration		3.3		A/Ch
		PBTL Configuration		5.0		A
<b>AUTOMATIC LEVEL CONTROL (ALC)</b>						
A <sub>MAX</sub>	Maximum ALC Attenuation			10		dB
T <sub>ATTACK</sub>	ALC Attack Time			20		ms
T <sub>RELEASE</sub>	ALC Release Time			500		ms
<b>FADE-IN &amp; FADE-OUT</b>						
T <sub>FADEIN</sub>	Fade-In Time			20		ms
T <sub>FADEOUT</sub>	Fade-Out Time			20		ms



## ELECTRICAL CHARACTERISTICS (Cont'd)

$V_{DD}=7.4V$ ,  $f=1kHz$ , Mono Mode, Load= $2\Omega+10\mu H$ ,  $C_{IN}=0.33\mu F$ ,  $R_{IN}=10k\Omega$ ,  $C_{BYP}=1\mu F$ ,  $C_{PVDDL/R}=1\mu F$ ,  $T_A=25^\circ C$ , unless otherwise specified.

SYMBOL	PARAMETER	CONDITIONS	MIN	TYP	MAX	UNIT
P <sub>O, MAX</sub>	Maximum Output Power	Non-ALC Mode, THD+N=10%		14		W
		Non-ALC Mode, THD+N=1%		11		W
P <sub>O, ALC</sub>	ALC Output Power	ALC Mode, V <sub>IN</sub> =0.30V <sub>RMS</sub>		10.5		W
THD+N	Total Harmonic Distortion + Noise	Non-ALC Mode, P <sub>O</sub> =10W		0.1		%
		ALC Mode, V <sub>IN</sub> =0.30V <sub>RMS</sub>		0.5		%
$\eta$	Power Efficiency	ALC Mode, V <sub>IN</sub> =0.30V <sub>RMS</sub>		78		%

$V_{DD}=8.4V$ ,  $f=1kHz$ , Mono Mode, Load= $2\Omega+10\mu H$ ,  $C_{IN}=0.33\mu F$ ,  $R_{IN}=10k\Omega$ ,  $C_{BYP}=1\mu F$ ,  $C_{PVDDL/R}=1\mu F$ ,  $T_A=25^\circ C$ , unless otherwise specified.

SYMBOL	PARAMETER	CONDITIONS	MIN	TYP	MAX	UNIT
P <sub>O, MAX</sub>	Maximum Output Power	Non-ALC Mode, THD+N=10%		18		W
		Non-ALC Mode, THD+N=1%		14		W
P <sub>O, ALC</sub>	ALC Output Power	ALC Mode, V <sub>IN</sub> =0.30V <sub>RMS</sub>		13.5		W
THD+N	Total Harmonic Distortion + Noise	Non-ALC Mode, P <sub>O</sub> =12W		0.1		%
		ALC Mode, V <sub>IN</sub> =0.30V <sub>RMS</sub>		0.4		%
$\eta$	Power Efficiency	ALC Mode, V <sub>IN</sub> =0.30V <sub>RMS</sub>		78		%

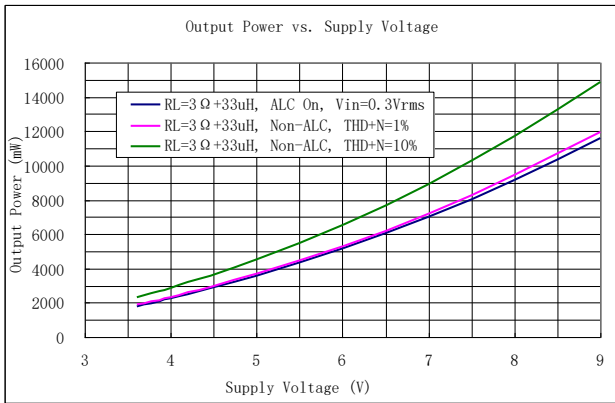
## TYPICAL PERFORMANCE CHARACTERISTICS

$V_{DD}=8.8V$ ,  $f=1kHz$ , Stereo Mode, Load= $4\Omega+33\mu H$ ,  $C_{IN}=0.33\mu F$ ,  $R_{IN}=10k\Omega$ ,  $C_{BYP}=1\mu F$ ,  $C_{PVDDL/R}=1\mu F$ ,  $T_A=25^\circ C$ , unless otherwise specified.

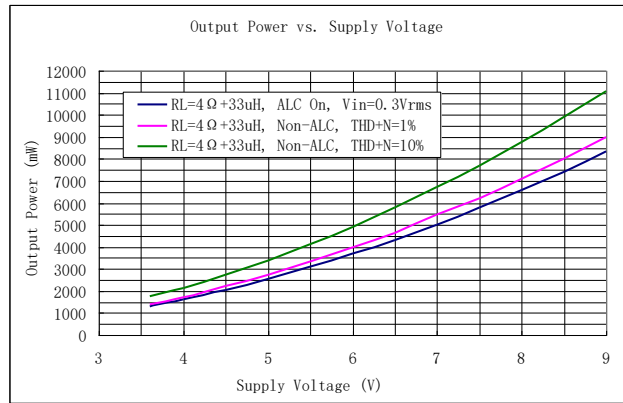
### List of Typical Performance Characteristics

DESCRIPTION	CONDITIONS	FIGURE #
Output Power vs. Supply Voltage	$R_L=3\Omega+33\mu H$ , ALC ( $V_{IN}=0.30V_{RMS}$ ) & Non-ALC Modes (PBTL Configuration)	3
	$R_L=4\Omega+33\mu H$ , ALC ( $V_{IN}=0.30V_{RMS}$ ) & Non-ALC Modes	4
	$R_L=8\Omega+33\mu H$ , ALC ( $V_{IN}=0.30V_{RMS}$ ) & Non-ALC Modes	5
Output Power vs. Input Voltage	$R_L=3\Omega+33\mu H$ , ALC & Non-ALC Modes (PBTL Configuration)	6
	$R_L=4\Omega+33\mu H$ , ALC & Non-ALC Modes	7
	$R_L=8\Omega+33\mu H$ , ALC & Non-ALC Modes	8
Efficiency vs. Output Power	$R_L=3\Omega+33\mu H$ , Non-ALC Mode (PBTL Configuration)	9
	$R_L=4\Omega+33\mu H$ , Non-ALC Mode	10
	$R_L=8\Omega+33\mu H$ , Non-ALC Mode	11
THD+N vs. Output Power	$R_L=4\Omega+33\mu H$ , Non-ALC Mode	12
THD+N vs. Input Voltage	$R_L=4\Omega+33\mu H$ , ALC & Non-ALC Modes	13
THD+N vs. Input Frequency	$R_L=4\Omega+33\mu H$ , ALC Mode, $P_o=5.0W$	14
PSRR vs. Frequency	$R_L=4\Omega+33\mu H$ , Inputs AC-Grounded	15
Crosstalk vs. Frequency	$R_L=4\Omega+33\mu H$ , $V_o=2.0V_{RMS}$ , R-CH to L-CH	16
Quiescent Current vs. Supply	Inputs AC-Grounded, No Load, ALC Mode	17
ALC Attack & Release Time	$V_{IN}=0.20V_{RMS} \sim 0.63V_{RMS}$ , $R_L=4\Omega+33\mu H$ , ALC Mode	18
Output Startup Waveforms	$R_L=4\Omega+33\mu H$ , $V_{in}=0.10V_{RMS}$ , ALC Mode	19
Output Shutdown Waveforms	$R_L=4\Omega+33\mu H$ , $V_{in}=0.10V_{RMS}$ , ALC Mode	20

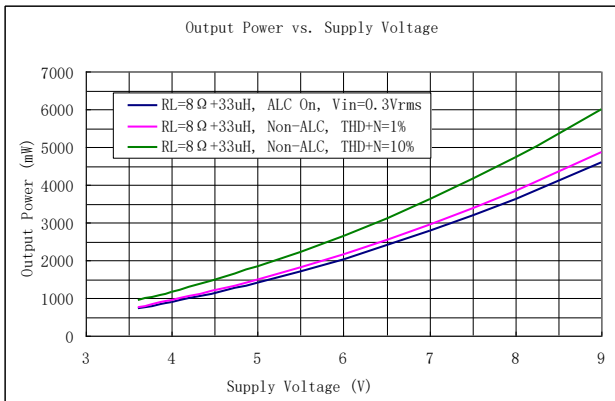
**TYPICAL PERFORMANCE CHARACTERISTICS (Cont'd)**



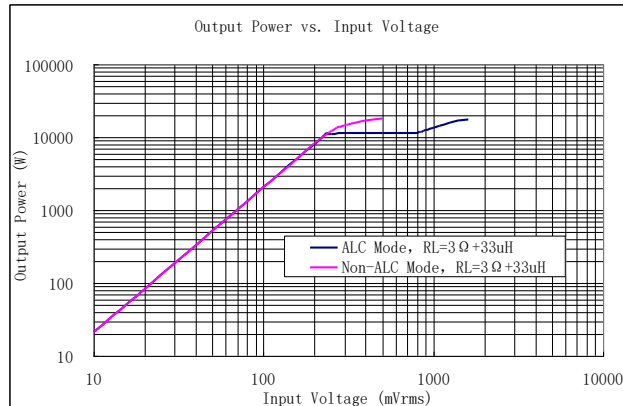
**Figure 3: Output Power vs. Supply Voltage**



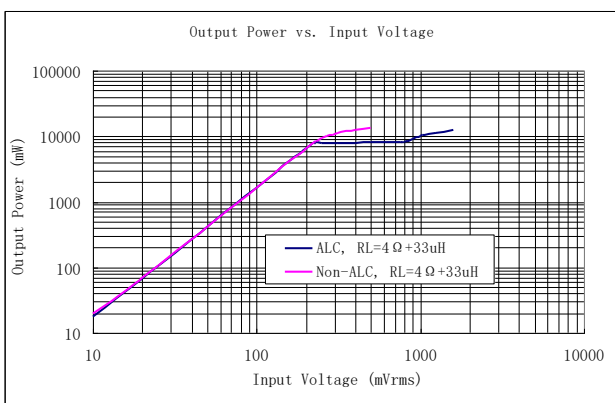
**Figure 4: Output Power vs. Supply Voltage**



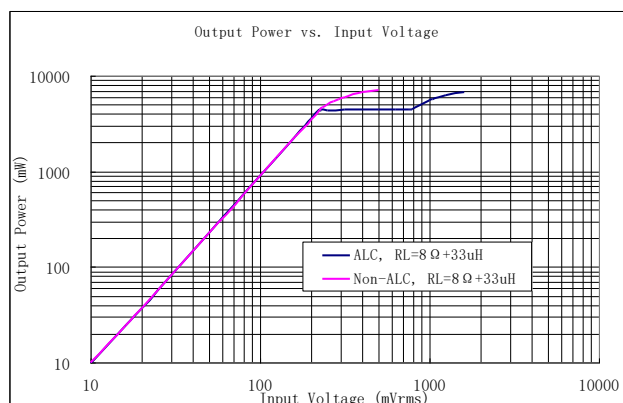
**Figure 5: Output Power vs. Supply Voltage**



**Figure 6: Output Power vs. Input Voltage**

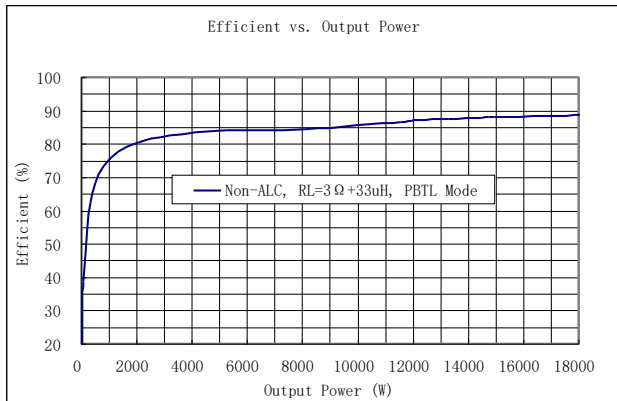


**Figure 7: Output Power vs. Input Voltage**

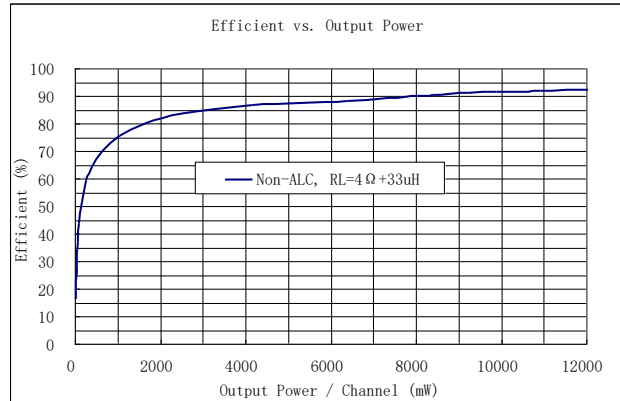


**Figure 8: Output Power vs. Input Voltage**

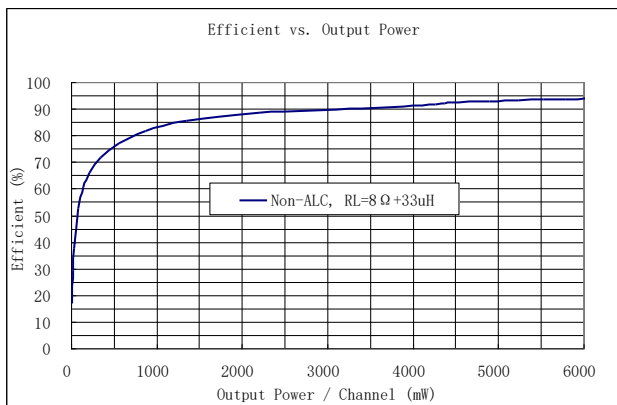
**TYPICAL PERFORMANCE CHARACTERISTICS (Cont'd)**



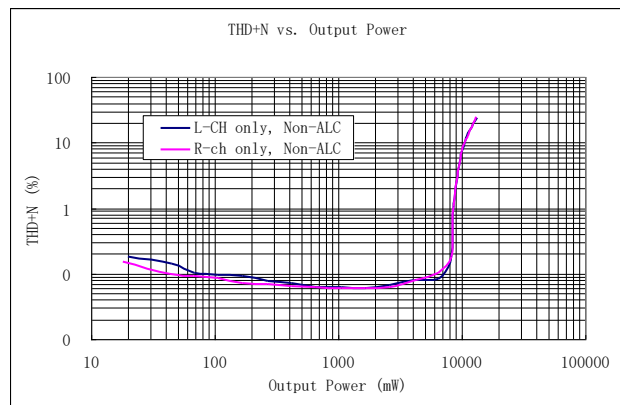
**Figure 9: Efficiency vs. Output Power**



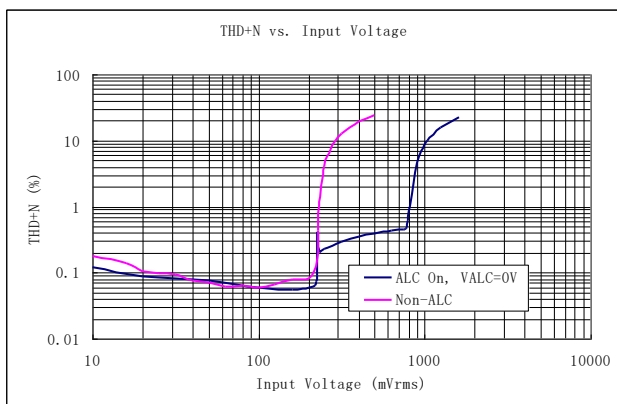
**Figure 10: Efficiency vs. Output Power**



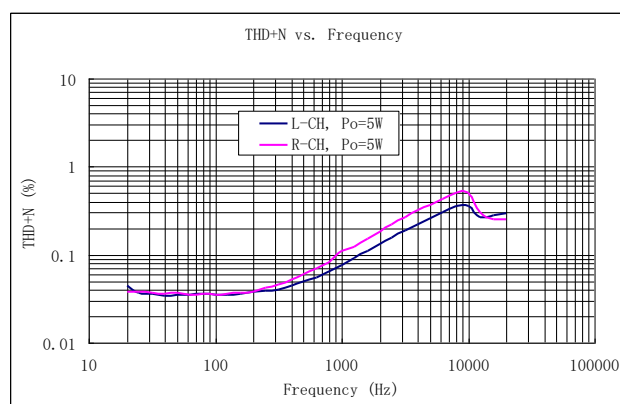
**Figure 11: Efficiency vs. Output Power**



**Figure 12: THD+N vs. Output Power**

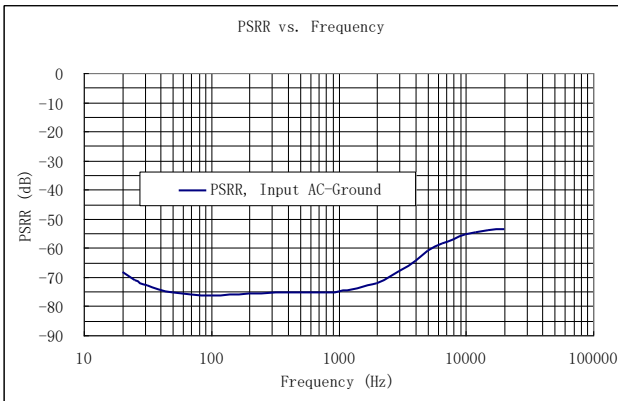


**Figure 13: THD+N vs. Input Voltage**

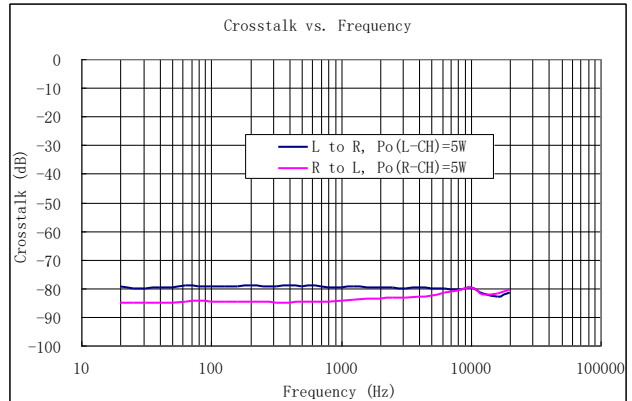


**Figure 14: THD+N vs. Frequency**

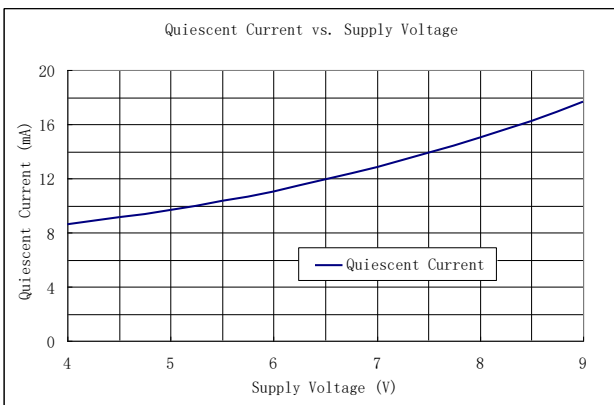
**TYPICAL PERFORMANCE CHARACTERISTICS (Cont'd)**



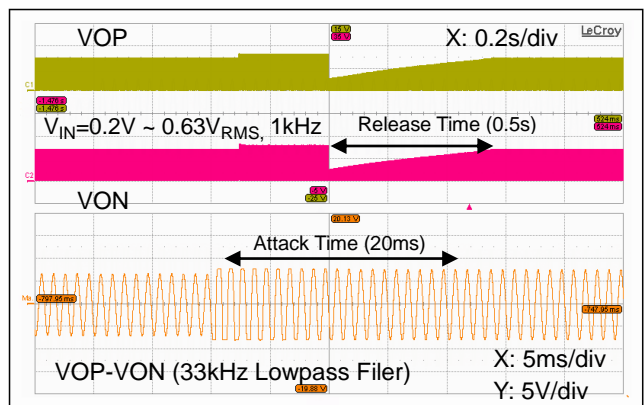
**Figure 15: PSRR vs. Frequency**



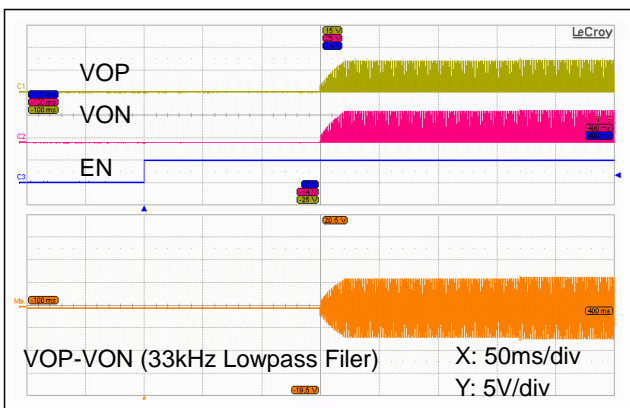
**Figure 16: Crosstalk vs. Frequency**



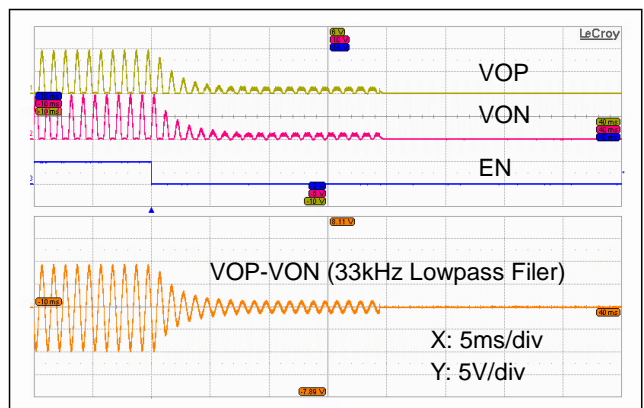
**Figure 17: Quiescent Current vs. Supply Voltage**



**Figure 18: ALC Attack & Release Time**



**Figure 19: (VOP-VON) Startup Waveforms**



**Figure 20: (VOP-VON) Shutdown Waveforms**

## APPLICATION INFORMATION

The ft2705 is a highly efficient 2X10W Class-D stereo audio power amplifier with automatic level control (ALC). It operates with a wide range of supply voltages from 4.5V to 8.8V in either dual bridge-tied-load (BTL) or parallel bridge-tied-load (PBTL) configuration. With a supply voltage at 8.8V, the ft2705 can deliver 10W per channel into a pair of 4Ω speakers in dual BTL configuration (stereo mode), or 14W into a single 3Ω speaker in PBTL configuration (mono mode), with 10% THD+N.

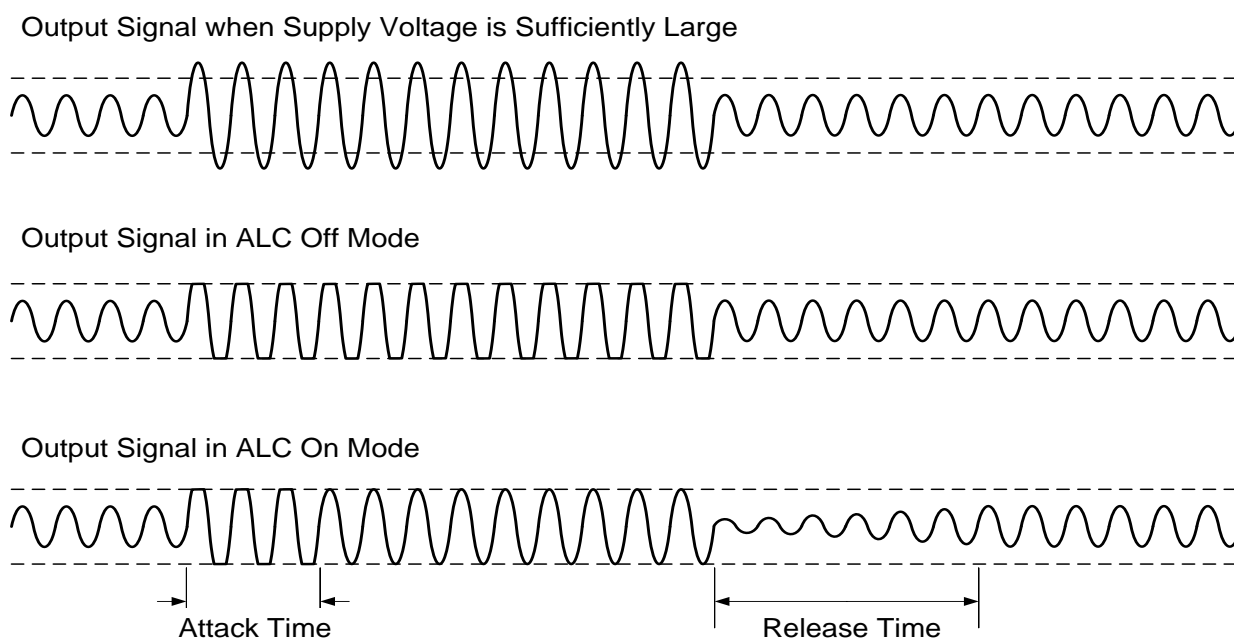
In ft2705, two operating modes, i.e., ALC and Non-ALC, are available that can be selected via the CTRL pin. The Non-ALC mode configures the device in a conventional Class-D operation, where the output power is maximized without ALC operation. In ALC mode, the ft2705 constantly monitors and safeguards the audio outputs against the supply voltage, preventing output clipping distortion, excessive power dissipation, or speaker over-load. Once an over-level condition is detected in either channel, the ALC lowers the voltage gain of both audio amplifiers together to eliminate output clipping distortion while maintaining a maximum dynamic range of the audio outputs allowed for the supply voltage. In ALC mode, with a supply voltage at 8.8V, the ft2705 can deliver 7.7W per channel into a pair of 4Ω speakers in stereo mode, or 11W into a single 3Ω speaker in mono mode, with THD+N less than 0.5%.

As a filterless Class-D audio amplifier, the ft2705 features high efficiency (up to 88%), high PSRR (70dB at 1kHz), and low EMI emissions, which reduce design and manufacturing complexities, lower system cost and PCB space. These features make ft2705 an ideal audio solution for portable and plug-in consumer electronic devices.

As specifically designed for portable applications, the ft2705 incorporates a shutdown mode to minimize the power consumption by holding the CTRL pin to ground. It also includes comprehensive protection features against various operating faults such as over-current, short-circuit, over-temperature, or under-voltage for a safe and reliable operation.

### AUTOMATIC LEVEL CONTROL (ALC)

The automatic level control is to maintain the audio output signals for a maximum voltage swing without distortion when an excessive input that may cause output clipping is applied. With the ALC function, the ft2705 lowers the gain of the amplifier to an appropriate value such that the clipping at the outputs is substantially eliminated. It also eliminates the clipping of the output signal due to the reduction of the power-supply voltage.



**Figure 21: Automatic Level Control Diagram**

The attack time and release time of the ALC are shown in Table 1. The attack time is defined as the time interval required for the gain to fall to its steady-state gain less 3dB approximately, assumed that a sufficiently large input signal is applied. The release time is the time interval required for the amplifier to exit out of the present mode of operation.

Attack Time (ms)	Release Time (ms)
20	500

**Table 1: Attack Time & Release Time**

**OPERATING MODE CONTROL**

As described in Table 2, depending upon the voltage VCTRL at the CTRL pin, the ft2705 can be configured in one of the three operating modes. If VCTRL is set less than 0.4V, the ft2705 is in shutdown mode. If VCTRL is set in the range between 1.1V and 1.4V, the ft2705 operates in ALC mode, where the ft2705 constantly monitors and safeguards the audio outputs of both channels against the applied supply voltage. Once an over-level condition is detected in either channel, the ALC lowers the voltage gain of both audio amplifiers proportionally to eliminate output clipping. If VCTRL is set higher than 1.6V, the ft2705 operates in Non-ALC mode, where the ft2705 operates as a conventional Class-D amplifier without ALC function.

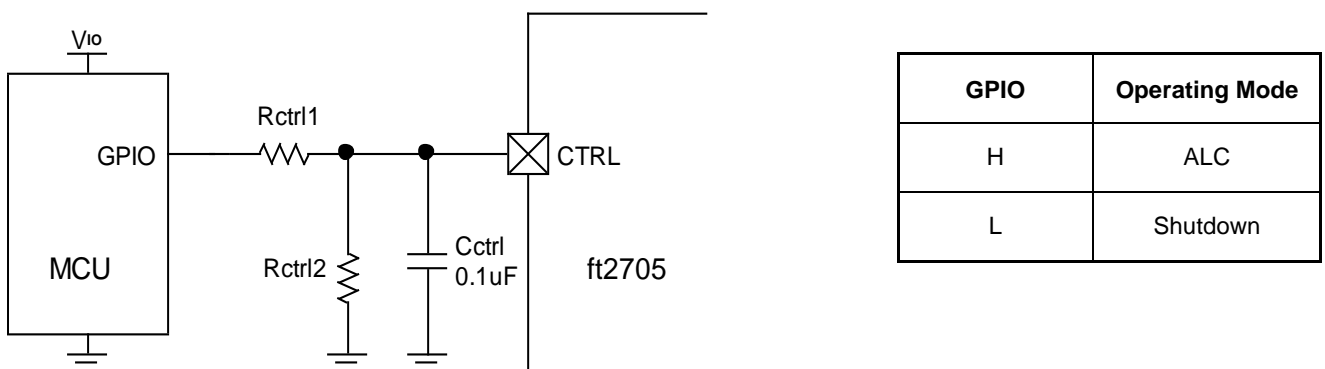
The ALC mode of operation can be chosen for the applications where the audio quality is one of major design considerations and the output clipping must be substantially eliminated. On the contrary, the Non-ALC operation can be chosen for the applications where a maximum audio loudness is much desired.

Voltage @ CTRL	Operating Mode
$V_{CTRL} \leq 0.4V$	Shutdown
$1.1V \leq V_{CTRL} \leq 1.4V$	ALC
$V_{CTRL} \geq 1.6V$	Non-ALC

**Table 2: Operating Mode Control**

An example of setting the ALC mode of operation by a host processor or microcontroller is shown in Figure 22. As depicted in the figure, two external resistors (R1, R2 with 1% accuracy) connected to the CTRL pin and a GPIO port from the host is used to set the voltage at the CTRL pin. It is recommended to add a ceramic capacitor ( $\geq 0.1\mu F$ ) to the CTRL pin to smooth out the mode transition as well as to minimize noise interference.

In the table of Figure 22, “H” indicates a high-level output voltage (V<sub>IO</sub>) at the host’s I/O port. “L” indicates a low-level output voltage at the port. To generate a proper voltage at the CTRL pin for a specific mode of operation, the GPIO port is required to have sufficient pulldown capabilities. Also, the ground of the host must be at the same potential as that of ft2705. Furthermore, the voltage at the CTRL pin is a function of the supply voltage (V<sub>IO</sub>) applied onto the host.



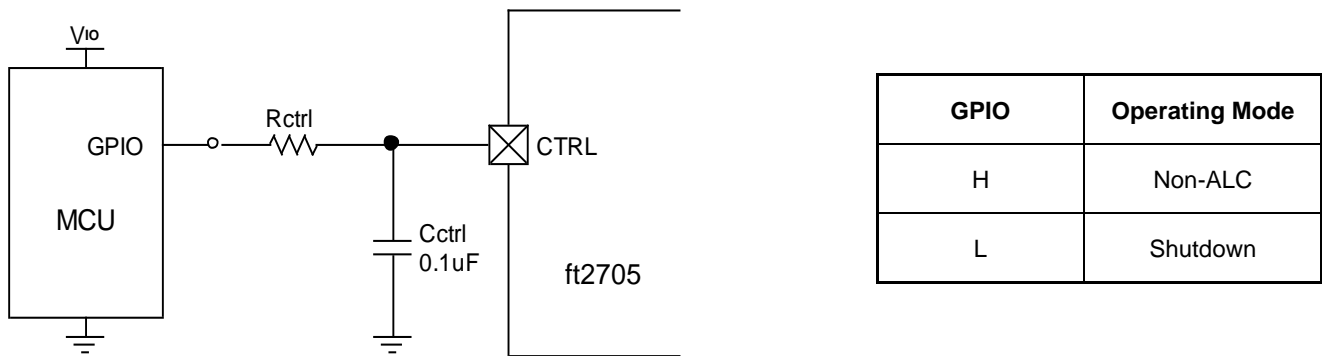
**Figure 22: CTRL Setup Circuit Diagram for ALC Mode of Operation**

Table 3 defines typical resistor values that can be used to set up proper CTRL voltages for various supply voltages at  $V_{IO}$ .

$V_{IO}$ (V)	1.8	2.8	3.0	3.3	4.2	5.0
R1 (k $\Omega$ )	10	12	20	24	22	30
R2 (k $\Omega$ )	22	10	15	15	10	10

**Table 3: Typical Resistor Values for CTRL Setup Circuit**

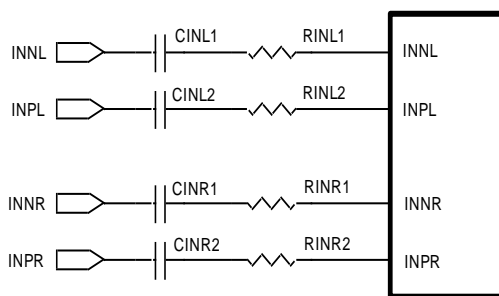
For applications where Non-ALC operation is desired, the CTRL circuit diagram shown in Figure 22 can be further simplified as shown in Figure 23. In this case, one external resistor ( $R_{ctrl}$ ) and one GPIO port are used to set the voltage at the CTRL pin. The value of the resistor is chosen such that the resulting RC time constant ( $\geq 1ms$ ) will provide sufficient noise rejection at the CTRL pin.



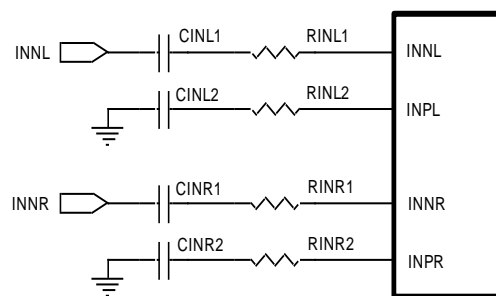
**Figure 23: CTRL Setup Circuit Diagram for Non-ALC Mode of Operation**

**VOLTAGE GAIN SETTING**

In ft2705, the voltage gain of the audio amplifier can be externally adjusted by inserting external input resistors,  $R_{IN}$ , in series with the input capacitors, as depicted in Figure 24 and 25. In both figures, it is required that  $C_{IN1} = C_{INL1} = C_{INR1} = C_{INR2}$ ,  $R_{IN} = R_{INL1} = R_{INL2} = R_{INR1} = R_{INR2}$ .



**Figure 24: Gain Setting (Differential Inputs)**



**Figure 25: Gain Setting (Single-Ended Inputs)**

The value of  $R_{IN}$  (in k $\Omega$ ) for a given voltage gain can be calculated by Equation 1, where  $A_v$  is the voltage gain of the audio amplifier.

$$A_v = \frac{625}{R_{IN} + 15} \tag{1}$$

Table 4 shows suitable resistor values of  $R_{IN}$  that can be used for various voltage gains.

$R_{IN}$ (k $\Omega$ )	10	16	20	24	30	36	39	47	56	62
$A_v$ (dB)	28	26	25	24	23	22	21	20	19	18

**Table 4: External Input Resistor Values Required for Various Voltage Gains**



The choice of the voltage gain will strongly influence the loudness and quality of audio sounds. In general, the higher the voltage gain is, the louder the sound is perceived. However an excessive voltage gain may cause audio outputs to be severely clipped for high-level (loud) audio sounds. On the other hand, an unusually low gain may cause relatively low-level (quite) sounds soft or inaudible. Thus it is crucial to choose a proper voltage gain for well balanced audio quality.

The voltage gain is chosen based upon various system-level considerations including the supply voltage, the dynamic range of audio sources and speaker loads, and the desired sound effects. As a general guideline, the voltage gain can be simply expressed in Equation 2. In the equation,  $V_{IN, MAX}$  (in  $V_{RMS}$ ) is the maximum input level from the audio source,  $V_{DD}$  (in volts) is the supply voltage, and  $\alpha$  is the design parameter, which ranges from 0.65 to 2.2. The higher  $\alpha$  is, the higher the average output power (louder) is, with some degree of compression for high-level audio sounds.

$$A_V = \frac{\alpha \times V_{DD}}{V_{IN, MAX}} \quad (2)$$

As an example, Table 5 shows the voltage gains for various input levels and  $V_{DD}$  settings with  $\alpha$  at about 1.0. In the table,  $R_{IN}$  is the external input resistor in series with the input capacitor.

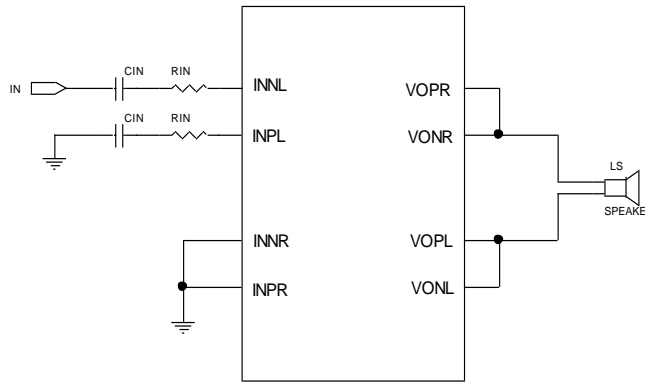
VDD (V)	$V_{IN, MAX}$ ( $V_{RMS}$ )	$R_{IN}$ (k $\Omega$ )	$A_V$ (V/V)	$A_V$ (dB)	$P_o, ALC$ (W) with 4 $\Omega$ +33 $\mu$ H Load
8.8	0.3	10	25	28	7.7
	0.5	20	18	25	
	0.7	36	12	22	
	1.0	62	8	18	
7.2	0.3	16	20	26	5.2
	0.5	33	13	22	
	0.7	47	10	20	
6.5	0.3	20	18	25	4.2
	0.5	36	12	22	
	0.7	56	9	19	

**Table 5: Typical Voltage Gain Settings & Input Resistor Values for Various Input Levels**

### MONO MODE (PBTL CONFIGURATION)

The ft2705 features an optional mono mode that allows the left and right channels to operate in parallel BTL configuration, delivering 14W into a single 3 $\Omega$  speaker. To operate ft2705 in mono mode, connect the INNR and INPR pins (pin 15 and 16) directly to ground (no decoupling capacitors). In mono mode, as shown in Figure 26, an audio input signal applied to the left channel (pin 1 and 2) is routed to the H-bridge of both channels. Note that it is intended for the mono mode to be configured strictly by the hardware connection. Leaving either INNR or INPR pin unconnected while the audio outputs VOPL/R and VONL/R are wired together in PBTL configuration can trigger an over-current or thermal overload protection or both. The mono mode is configured by the following arrangement:

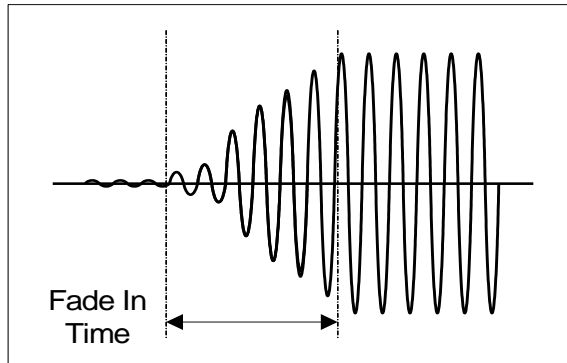
- Connect INPR and INNR pins directly to ground (no decoupling capacitors).
- Apply an audio signal to the left-channel inputs (INPL and INNPL pins).
- Connect VOPL to VONL together as one terminal of the speaker and connect VOPR to VONR together as the other terminal of the speaker. Use heavy PCB traces as close as possible to the device.
- Place the speaker between the left and right-channel outputs.



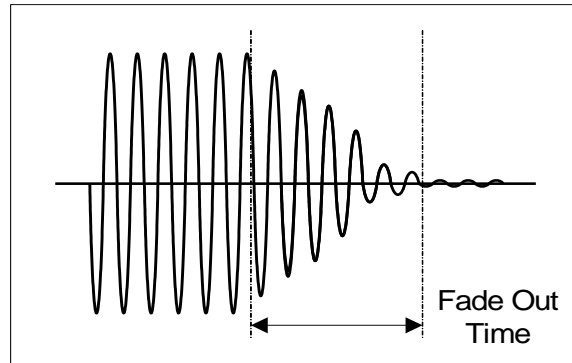
**Figure 26: Application Circuit of ft2705 in Mono Mode for PBTB Configuration**

**VOLUME FADE-IN & FADE-OUT**

The volume fade-in/out function operates when the CTRL toggles. This function is used to reduce intermittent sound considerably and eliminate uncomfortable feeling.



**Figure 27: Fade-In Waveform**



**Figure 28: Fade-Out Waveform**

**BYP PIN**

A reference voltage is internally generated and provided to the BYP pin as the common-mode voltage bias of internal analog circuitry. It is required to decouple BYP with a low equivalent-series-resistance (ESR) ceramic capacitor of 1μF to ground for low distortion and high PSRR operation.

**SHUTDOWN AND STARTUP**

The ft2705 employs the CTRL pin to minimize power consumption while it is not in use. When the CTRL pin is pulled to ground, the ft2705 is forced into shutdown mode, where all the analog circuitry is de-biased and the supply current is thus reduced to less than 20μA, and the differential outputs are shorted to ground through an internal resistor (2.5kΩ) individually. Once in shutdown mode, the CTRL pin must remain low for at least 20ms (T<sub>SD</sub>), the shutdown settling time, before it can be brought high again. When the CTRL pin is asserted high, the device exits out of shutdown mode and enters into either ALC or Non-ALC mode after the startup time (T<sub>STUP</sub>) of 160ms.

Note that an internal pulldown resistor of 300kΩ is integrated onto the CTRL pin. Furthermore, shutdown mode is the state when the power supply is first applied to the device. Whenever possible, it is recommended to assert the CTRL pin high to exit the device out of shutdown mode only after the device is properly powered up. Also, place the amplifiers in shutdown mode prior to removing the power supply voltage for best power-off pop performance.

**CLICK-AND-POP SUPPRESSION**

The ft2705 features comprehensive click-and-pop suppression. During startup, the click-and-pop suppression circuitry reduces any audible transients internal to the device. When entering into shutdown, the differential

audio outputs VOPL/R and VONL/R ramp down to ground quickly and simultaneously.

## PSRR ENHANCEMENT

With a dedicated pin, BYP, for the common-mode voltage bias and an external holding capacitor onto the pin, the ft2705 achieves a PSRR, 70dB at 1kHz.

## PROTECTION MODES

The ft2705 incorporates various protection functions against possible operating faults for a safe and reliable operation. It includes Under-voltage Lockout (UVLO), Over-Current Protection (OCP), and Over-Temperature Shutdown (OTSD).

### Under-Voltage Lockout (UVLO)

The ft2705 incorporates a circuitry to detect a low supply voltage for a safe and reliable operation. When the supply voltage is first applied, the ft2705 will remain inactive until the supply voltage exceeds 3.2V ( $V_{UVLU}$ ). When the supply voltage is removed and drops below 2.9V ( $V_{UVLD}$ ), the ft2705 enters into shutdown mode immediately.

### Over-Temperature Shutdown (OTSD)

When the die temperature exceeds a preset threshold, the device enters into the over-temperature shutdown mode, where the differential audio outputs VOPL/R and VONL/R are pulled to ground through on-chip resistors individually. The device will resume normal operation once the die temperature returns to a lower temperature, which is about 20°C lower than the threshold.

### Over-Current Protection (OCP)

During operation, the outputs of the Class-D amplifiers are constantly monitored for any over-current and/or short-circuit conditions. When a short-circuit condition between two differential outputs or differential outputs to the supply voltage or ground, the output stage of the respective Class-D amplifier is immediately forced into high impedance state. Once the fault condition persists over a prescribed period, the ft2705 then enters into the shutdown mode and remains in this mode for about 40ms ( $T_{OCP}$ ), the over-current recovery time. When the shutdown mode times out, the ft2705 will initiate another start-up sequence and then check if the short-circuit condition has been removed. If the fault condition is still present, the ft2705 will repeat itself for the process of a startup followed by detection, qualification, and shutdown. It is so-called the hiccup mode of operation. Once the fault condition is removed, the ft2705 automatically restores to its normal mode of operation.

**Although the output stages of the Class-D audio amplifiers can withstand a short between VOPL/R and VONL/R, do not short audio outputs (VOPL/R and VONL/R) directly to ground (PGNDL/R) or the supply voltage (PVDDL/R) as this might damage the device permanently, particularly when the supply voltage is higher than 8.4V.**

## CLASS-D AUDIO AMPLIFIER

The Class-D audio amplifiers in the ft2705 operate in much the same way as traditional Class-D amplifiers and similarly offer much higher power efficiency than Class-AB amplifiers. The high efficiency of Class-D operation is achieved by the switching operation of the output stage of the amplifier. The power loss associated with the output stage is limited to the conduction and switching loss of the power switches, which are much less than the power loss associated with a linear output stage in Class-AB amplifiers.

### Fully Differential Amplifier

The ft2705 includes a pair of fully differential amplifiers with differential inputs and outputs. The fully differential amplifiers ensure that the differential output voltages are equal to the differential input voltages time the amplifier gain. Although the ft2705 supports for single-ended inputs, differential inputs are much preferred for applications where the environment can be noisy in order to ensure maximum SNR.

**Low-EMI Filterless Output Stage**

Traditional Class-D audio amplifiers require for the use of external LC filters, or shielding, to meet EN55022B electromagnetic-interference (EMI) regulation standards. The ft2705 applies an edge-rate control circuitry to reduce EMI emission, while maintaining high power efficiency.

**Filterless Design**

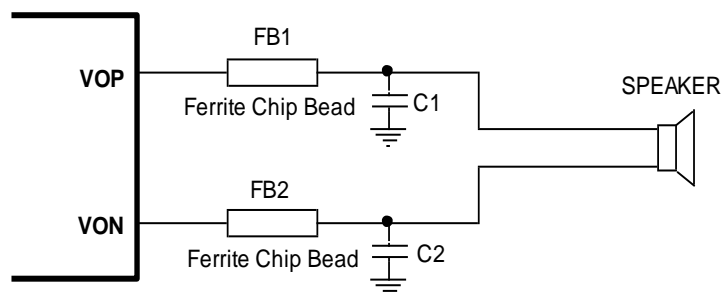
Traditional Class D amplifiers require an output filter to recover the audio signal from the amplifier’s output. The filter adds cost, increases the solution size of the amplifier, and can adversely affect efficiency and THD+N performance. The traditional PWM scheme uses large differential output swings (twice of the supply voltage) and causes large ripple currents. Any parasitic resistance in the filter components results in loss of power and lowers the efficiency.

The ft2705 does not require an output filter. The device relies on the inherent inductance of the speaker coil and the natural filtering of both the speaker and the human ear to recover the audio component of the square-wave output. By eliminating the output filter, a smaller, less costly, and more efficient solution can be accomplished.

Because the frequency of the ft2705 output is well beyond the bandwidth of most speakers, voice coil movement due to the square-wave frequency is very small. Although this movement is small, a speaker not designed to handle the additional power can be damaged. For optimal performance, use a speaker with a series inductance greater than 10μH. Typical 4Ω speakers exhibit series inductances in the range from 10μH to 47μH.

**Ferrite Bead EMI Filter**

The ft2705 does not require an LC output filter for short connections from the amplifier to the speaker. However, additional EMI suppression can be made by use of a simple ferrite bead filter comprising a ferrite bead and a capacitor, as shown in Figure 29. Choose a ferrite bead with low DC resistance (DCR) and high impedance (100Ω ~ 220Ω) at high frequencies (>100MHz). The current flowing through the ferrite bead must be also taken into consideration. The effectiveness of ferrites can be greatly aggravated at much lower than the rated current values. Choose a ferrite bead with a rated current value no less than 3A. The capacitor value varies based on the ferrite bead chosen and the actual speaker lead length. Choose a capacitor less than 1nF based on EMI performance. Place each ferrite bead filter tightly together and individually close to VOPL/R and VONL/R pins, respectively.



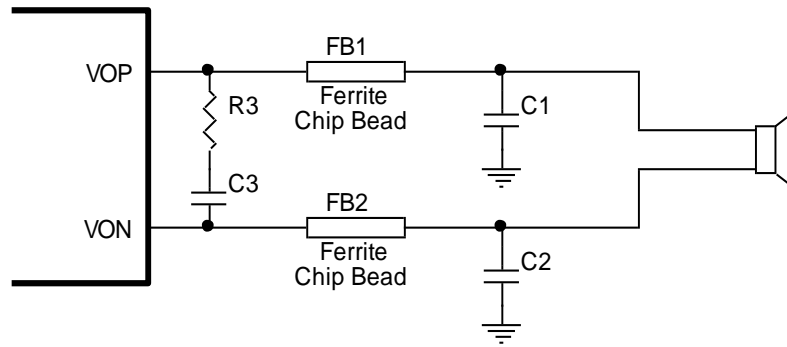
**Figure 29: Ferrite Bead Filter to Reduce EMI**

**Class-D Output RC Snubber Circuit**

For applications where the power supplies are rated more than 8.4V or the speaker load resistances less than 4Ω, it may become necessary to add an RC snubber circuit across the two output pins, VOPL/R and VONL/R, of each individual channel to prevent the device from accelerated deterioration or abrupt destruction due to excessive inductive flybacks that are induced on fast output switching or by an over-current or short-circuit condition. The snubber circuit can also lower EMI emission of Class-D outputs.

Figure 30 shows a simple RC snubber circuit with suggested values of R<sub>3</sub>=4.7Ω in series with C<sub>3</sub>=10nF. Note that the design of the RC snubber circuit is specific to each design and must take into account the parasitic reactance of the system board to reach proper values of R<sub>3</sub> and C<sub>3</sub>. Evaluate and ensure that the voltage spikes (overshoots and undershoots) at VOPL/R and VONL/R on the actual system board are within their absolute

maximum ratings. Pay close attention to the layout of the RC snubber circuit to be tight and individually close to VOPL/R and VONL/R pins, respectively.



**Figure 30: Class-D Output RC Snubber Circuit**

**Supply Decoupling Capacitor (C<sub>PVDDL</sub>, C<sub>PVDDR</sub>)**

As a high performance Class-D audio power amplifier, the ft2705 requires sufficient decoupling of the power supply to ensure its high efficiency, low distortion, and low EMI. Sufficient power supply coupling also prevents oscillations for long lead lengths between the amplifier and the speakers. It is highly recommended to use a solid ground plane GND on the system board to reduce parasitic resistances and inductances of the ground.

For best audio quality and reliability, place a 1μF low-ESR ceramic capacitor (C<sub>PVDDL/R</sub>) individually close to PVDDL/R pins respectively. In tandem with each 1μF capacitor, add a small, good quality, low-ESR ceramic capacitor of 0.047μF, within 2mm of the PVDDL/R pins, for high-frequency filtering and EMI reduction.

**Input Resistors (R<sub>INL1</sub>, R<sub>INL2</sub>, R<sub>INR1</sub>, R<sub>INR2</sub>)**

In ft2705, individual 15kΩ input resistors are internally integrated onto INPL/R and INNPL/R pins, respectively. Internal input resistors bring such benefits as fewer variations on PSRR and minimum turn-on pop noise since on-chip resistors tend to match well. Additional input resistors can be externally added onto INPL/R and INNPL/R pins respectively for specific voltage gains. The value of external input resistors must be included for the calculation of overall voltage gain, as described in Equation 3, as well as the selection of proper input capacitors, as described in Equation 4. As shown in Equation 3, the external input resistors attenuate the original voltage gain by the ratio of R<sub>INTERNAL</sub> / (R<sub>IN</sub>+R<sub>INTERNAL</sub>).

$$A_v = A_{v0} \times [R_{INTERNAL} / (R_{IN} + R_{INTERNAL})] \tag{3}$$

where A<sub>v0</sub> = 42 (32dB) and R<sub>INTERNAL</sub> = 15kΩ

**Input Capacitors (C<sub>INL1</sub>, C<sub>INL2</sub>, C<sub>INR1</sub>, C<sub>INR2</sub>)**

The input DC decoupling capacitors are recommended to bias the incoming audio inputs to a proper DC level. The input capacitor C<sub>IN</sub>, in conjunction with the amplifier input resistance (including both internal 15kΩ and external resistor R<sub>IN</sub>, if any) forms a highpass filter that removes the DC bias of the audio inputs. The corner frequency, f<sub>c</sub>, of the highpass filter is given by Equation 4.

$$f_c = 1 / [2 \times \pi \times (R_{IN} + 15k\Omega) \times C_{IN}] \tag{4}$$

where C<sub>IN</sub> = C<sub>INL1</sub> = C<sub>INL2</sub> = C<sub>INR1</sub> = C<sub>INR2</sub> and R<sub>IN</sub> = R<sub>INL1</sub> = R<sub>INL2</sub> = R<sub>INR1</sub> = R<sub>INR2</sub>

R<sub>IN</sub> is the external input resistance for a specific voltage gain. Note that the variation of the actual input resistance will affect the voltage gain proportionally. Choose R<sub>IN</sub> with a tolerance of 2% or better.

Choose C<sub>IN</sub> such that f<sub>c</sub> is well below the lowest frequency of interest. Setting it too high affects the amplifiers' low-frequency response. Consider an example where the specification calls for A<sub>v</sub>=28dB and a flat frequency response down to 20Hz. In this example, R<sub>IN</sub>=10kΩ and C<sub>IN</sub> is calculated to be about 0.32μF; thus 0.33μF, as a common choice of capacitance, can be chosen for C<sub>IN</sub>.

Note that any mismatch in resistance or capacitance between two audio inputs will cause a mismatch in the

corner frequencies. Severe mismatch may also cause turn-on pop noise, PSRR, CMRR performance. Choose  $C_{IN}$  with a tolerance of  $\pm 2\%$  or better.

Furthermore, the type of the input capacitor is crucial to audio quality. For best audio quality, use capacitors whose dielectrics have low-voltage coefficients, such as tantalum or aluminum electrolytic. Capacitors with high-voltage coefficients, such as ceramics, may result in increased distortion at low frequencies. Other factors, including the constraints of the overall system such as the physical size of the speakers, are to be considered when designing the input filter.

## PRINTED CIRCUIT BOARD (PCB) LAYOUT

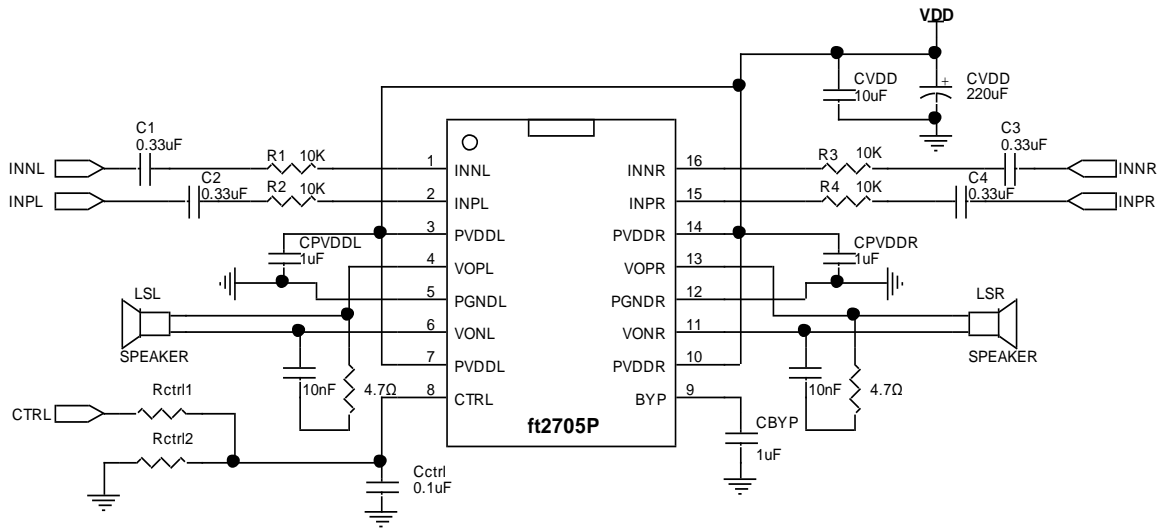
Decoupling capacitors – Place the decoupling capacitors  $C_{PVDDL}$  and  $C_{PVDDR}$  as individually close to  $PVDDL$  and  $PVDDR$  pins as possible. Large bulk power supply decoupling capacitors should be placed close to the ft2705. Also, place the decoupling capacitor  $C_{BYP}$  as close to  $BYP$  pin as possible.

Grounding – Use a ground plane with sufficiently wide area on the system board. The  $PGNDL/R$  pins must be directly connected to the ground plane  $GND$ . Also, the thermal pad underneath the package must be directly soldered to the ground plane.

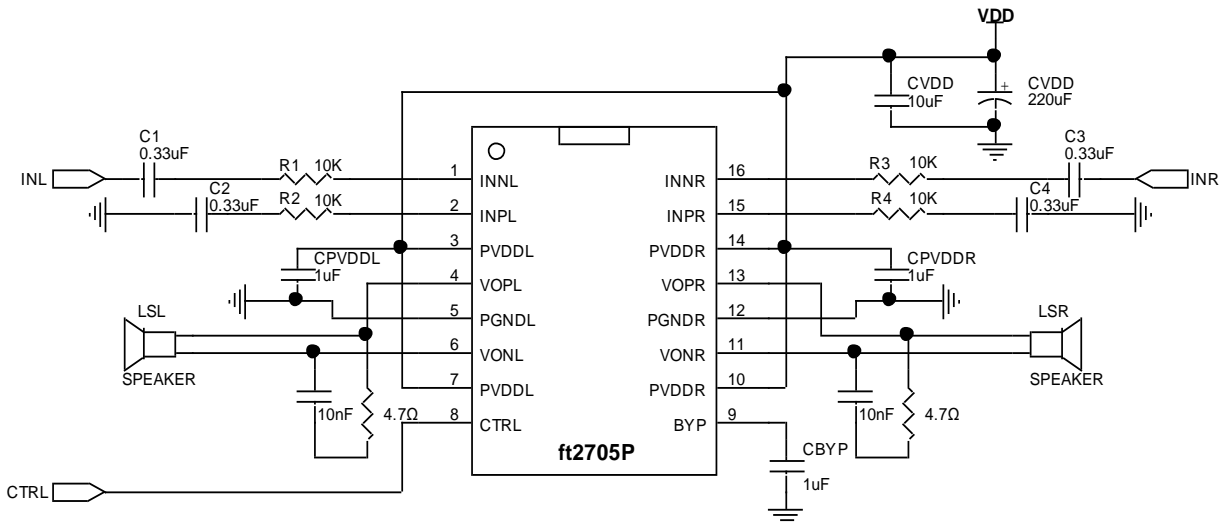
Ferrite Bead EMI Filter – The ferrite EMI filters should be placed tightly together and individually close to their respective audio output pins,  $VOPL/R$  and  $VONL/R$ , for the best EMI performance. Keep the current loop, traversing from each individual audio output through the ferrite bead and the filter capacitor and back to  $PGNDL/R$ , as tight and short as possible.

Class-D Output RC Snubber – Place RC snubber circuits tightly together and as close as possible to the audio output pins,  $VOPL/R$  and  $VONL/R$ .

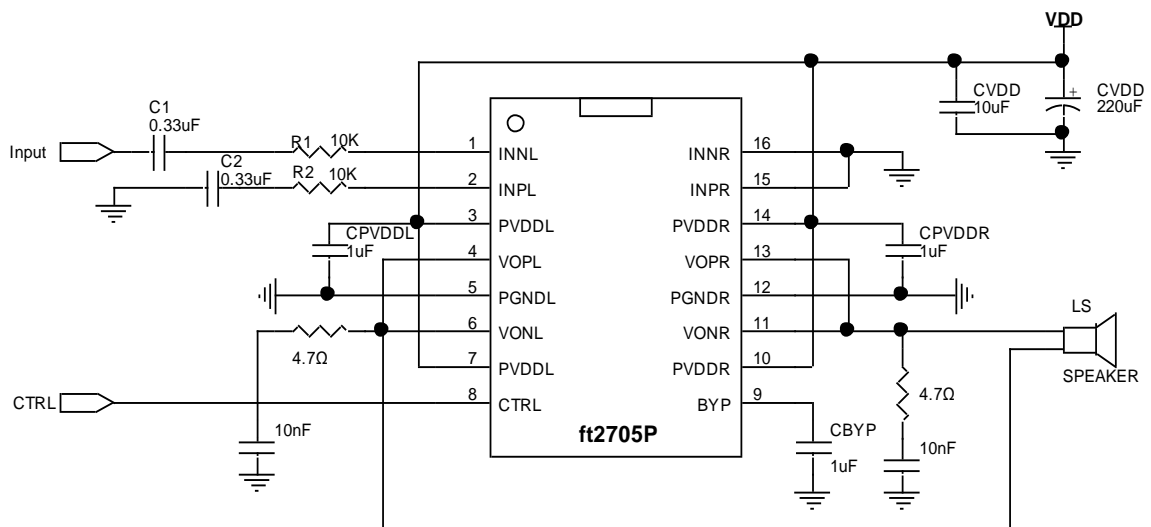
**TYPICAL APPLICATION CIRCUITS**



**Figure 31: Differential Inputs in Dual BTL Configuration with ALC**



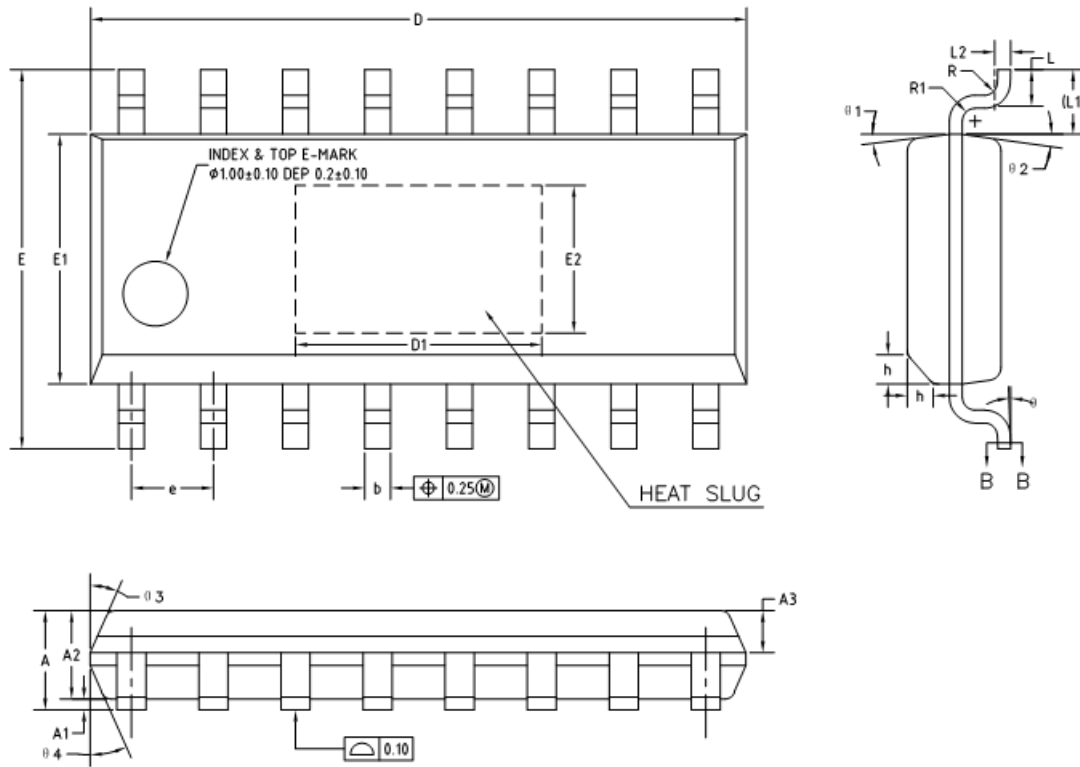
**Figure 32: Single-Ended Inputs in Dual BTL Configuration without ALC**



**Figure 33: Single-Ended Input in PBTL Configuration without ALC**

**PHYSICAL DIMENSIONS**

**SOP-16L PACKAGE OUTLINE DIMENSIONS**



SYMBOL	MIN	NOM	MAX	
A	1.35	1.52	1.70	
A1	0.02	0.07	0.12	
A2	1.35	1.45	1.55	
A3	0.55	0.65	0.75	
D	9.86	9.96	10.06	
D1	OPTION1	3.30	3.81	4.00
	OPTION2	3.70	4.06	4.20
E	5.80	6.00	6.20	
E1	3.80	3.90	4.00	
E2	OPTION1	1.78	2.29	2.50
	OPTION2	1.70	2.08	2.20
e	1.17	1.27	1.37	
L	0.45	0.60	0.80	
L1	1.04REF			
L2	0.25BSC			
R	0.07	-	-	
R1	0.07	-	-	
h	0.30	0.40	0.50	
$\theta$	0°	-	8°	
$\theta 1$	6°	8°	10°	
$\theta 2$	6°	8°	10°	
$\theta 3$	5°	7°	9°	
$\theta 4$	5°	7°	9°	

Unit: mm



## IMPORTANT NOTICE

1. Disclaimer: The information in document is intended to help you evaluate this product. Fangtek, LTD. makes no warranty, either expressed or implied, as to the product information herein listed, and reserves the right to change or discontinue work on this product without notice.

2. Life support policy: Fangtek's products are not authorized for use as critical components in life support devices or systems without the express written approval of the president and general counsel of Fangtek Inc. As used herein

Life support devices or systems are devices or systems which, (a) are intended for surgical implant into the body, or (b) support or sustain life, and whose failure to perform when properly used in accordance with instructions for use provided in the labeling, can be reasonably expected to result in a significant injury to the user.

A critical component is any component of a life support device or system whose failure to perform can be reasonably expected to cause the failure of the life support device or system, or to affect its safety or effectiveness.

3. Fangtek assumes no liability for incidental, consequential or special damages or injury that may result from misapplications or improper use or operation of its products

4. Fangtek makes no warranty or representation that its products are subject to intellectual property license from Fangtek or any third party, and Fangtek makes no warranty or representation of non-infringement with respect to its products. Fangtek specifically excludes any liability to the customer or any third party arising from or related to the products' infringement of any third party's intellectual property rights, including patents, copyright, trademark or trade secret rights of any third party.

5. The information in this document is merely to indicate the characteristics and performance of Fangtek products. Fangtek assumes no responsibility for any intellectual property claims or other problems that may result from applications based on the document presented herein. Fangtek makes no warranty with respect to its products, express or implied, including, but not limited to the warranties of merchantability, fitness for a particular use and title.

6. Trademarks: The company and product names in this document may be the trademarks or registered trademarks of their respective manufacturers. Fangtek is trademark of Fangtek, LTD.

## CONTACT INFORMATION

### Fangtek Electronics (Shanghai) Co., Ltd

Room 501A, No.10, Lane 198, Zhangheng Road  
Zhangjiang Hi-tech Park, Pudong District  
Shanghai, China, 201204

Tel: +86-21-61631978

Fax: +86-21-61631981

Website: [www.fangtek.com.cn](http://www.fangtek.com.cn)