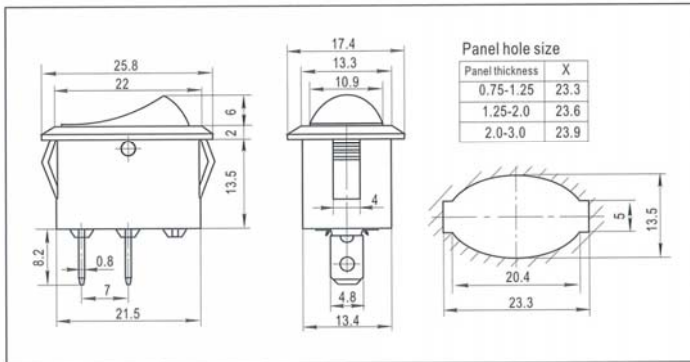




**RL3-6 Oval Rocker-Switch for 13.5x23.3mm Oval Cut-Out**



- (G): 6(2)A 250VAC T125/55 1E4  
 10A 125VAC  
 (H): 10(4)A 250VAC T125/55 1E4  
 10(2)A 250VAC T85/55 5E4  
 16A 125V/10A 250VAC 1/3HP  
 125-250VAC T105

**RL3-6 - 11/N - G - 2 - RE/BK - P5... (2)**

Function		Rating		Cap Printing		Cap Color/Housing		Terminal		Voltage	
11/N	ON-OFF 3P W/Lamp	G	10A 125VAC 6A 250VAC	0	None	BK	Black	(P4)	8.2 4.8 Ø1.6	1	110VAC
11	ON-OFF 2P	H	16A 125VAC 10A 250VAC	1	●	WT	White	(P5)	8.2 4.8 Ø2.3	2	220VAC
12	ON-ON 3P			2	○ -	RE	Red	(P6)	4.5 3.2	3	12VDC
13	ON-OFF-ON 3P			3	○	OR	Orange	(P25)	5.5 4.8 Ø2.3	4	24VDC
11(ON)	(ON)-OFF			4	- =	GR	Green				
				5							
				6	○						
				7	- ○ =						
				8	≡						