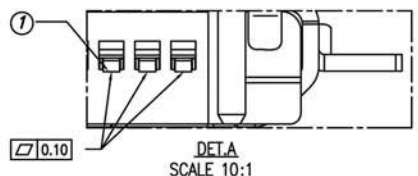
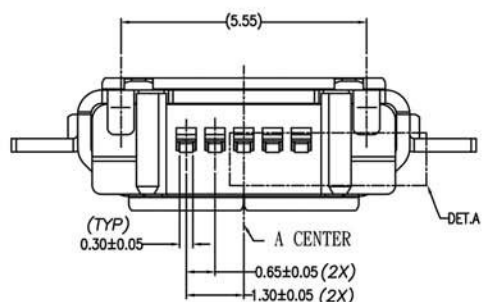
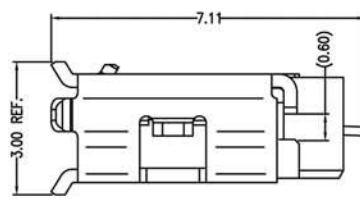
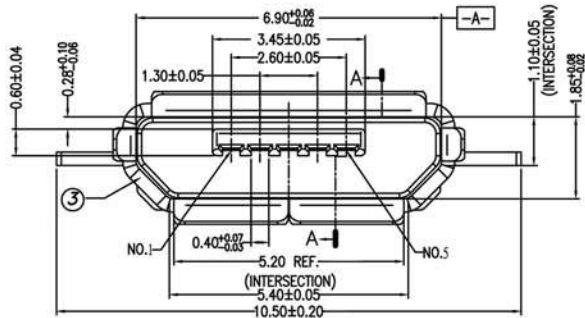


PCB LAYOUT  
COMPONENT SIDE TOLERANCE:±0.05 T=0.80



△ PRODUCT NUMBER:

207E-B G 0 0-R  
1 2 3

- 1. Type
- B:B Type
- 2. Contact Plating
- G:30u" Gold Plating
- 3. RoHS

ITEM	DESC.	MATERIAL	REMARKS	PART REMARKS
3	SHELL	STAINLESS STEEL, T=0.30	30u" NICKEL OVER PLATED	
2	HOUSING	HIGH TEMPERATURE	COLOR:BLACK	
1	CONTACT	COPPER ALLOY,T=0.20	CONTACT AREA:30u" SOLDER AREA:3u"	

UNLESS OTHERWISE SPECIFIED TOLERANCE		All Connectors	
ANG.	±5°	<a href="http://www.allconnectors.eu">www.allconnectors.eu</a>   <a href="mailto:info@allconnectors.eu">info@allconnectors.eu</a> Tel. +49 (0)711 / 358 110 20   Fax +49 (0)711 / 358 110 25	
0.	±0.3		
.0	±0.25		
.00	±0.20		
SCALE:	AS SHOWN	UNIT:	mm
DRAWN	Willis	2008/07/17	DRAWN NAME:
CHECKED	Angel	2008/07/17	MicroUSB Receptacle Middle Board Mount
APPROVED	Ken	2008/07/17	PRODUCT NO.
207E-BG00-R	2009/08/11	2008/07/17	207E-BG00-R
REV.	DESCRIPTION	DATE	FILE NAME:
1	Revise: PRODUCT NUMBER,Contact Area 30u" Gold Plating	2009/08/11	207E-BG00-R_B_1