



TDA7468D

TWO BANDS DIGITALLY CONTROLLED AUDIO PROCESSOR WITH BASS ALC SURROUND

- INPUT MULTIPLEXER
 - 4 STEREO INPUTS
 - SELECTABLE INPUT GAIN FOR OPTIMAL ADAPTATION TO DIFFERENT SOURCES
- ONE STEREO OUTPUT
- BASS ALC
- TREBLE AND BASS CONTROL IN 2.0dB STEPS
- VOLUME CONTROL IN 1.0dB STEPS
- TWO SPEAKER ATTENUATORS:
 - TWO INDEPENDENT SPEAKER CONTROL IN 1.0dB STEPS FOR BALANCE FACILITY
 - INDEPENDENT MUTE FUNCTION
- ALL FUNCTION ARE PROGRAMMABLE VIA SERIAL BUS
- EXTERNALLY ADJUSTABLE SURROUND

DESCRIPTION

The TDA7468D is a volume tone (bass and treble) balance (Left/Right) processor for quality audio applications in Hi-Fi systems.

Selectable input gain is provided. Control of all

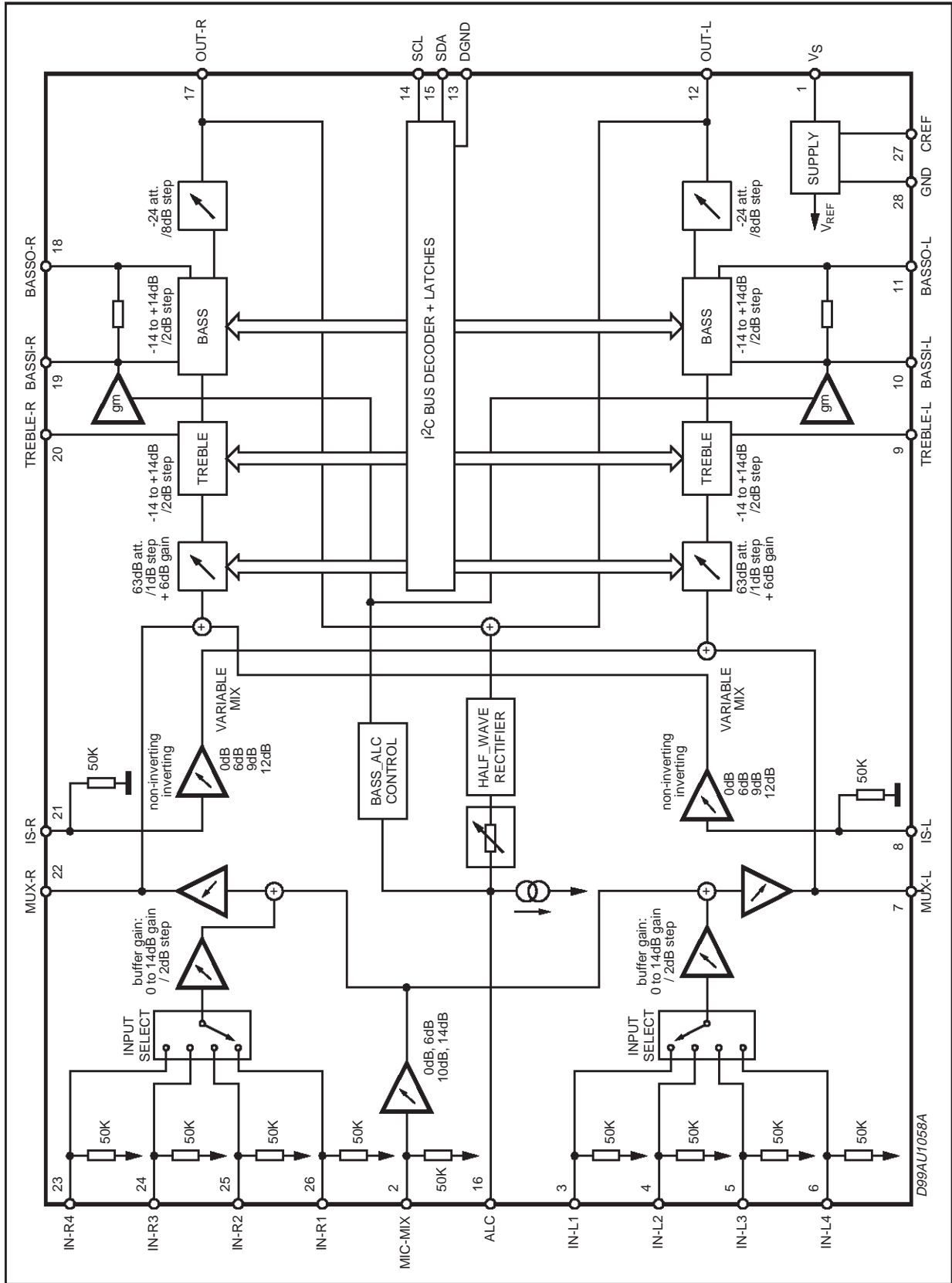


the functions is accomplished by serial bus.

The AC signal setting is obtained by resistor networks and switches combined with operational amplifiers.

Thanks to the used BIPOLAR/CMOS Technology, Low Distortion, Low Noise and DC stepping are obtained

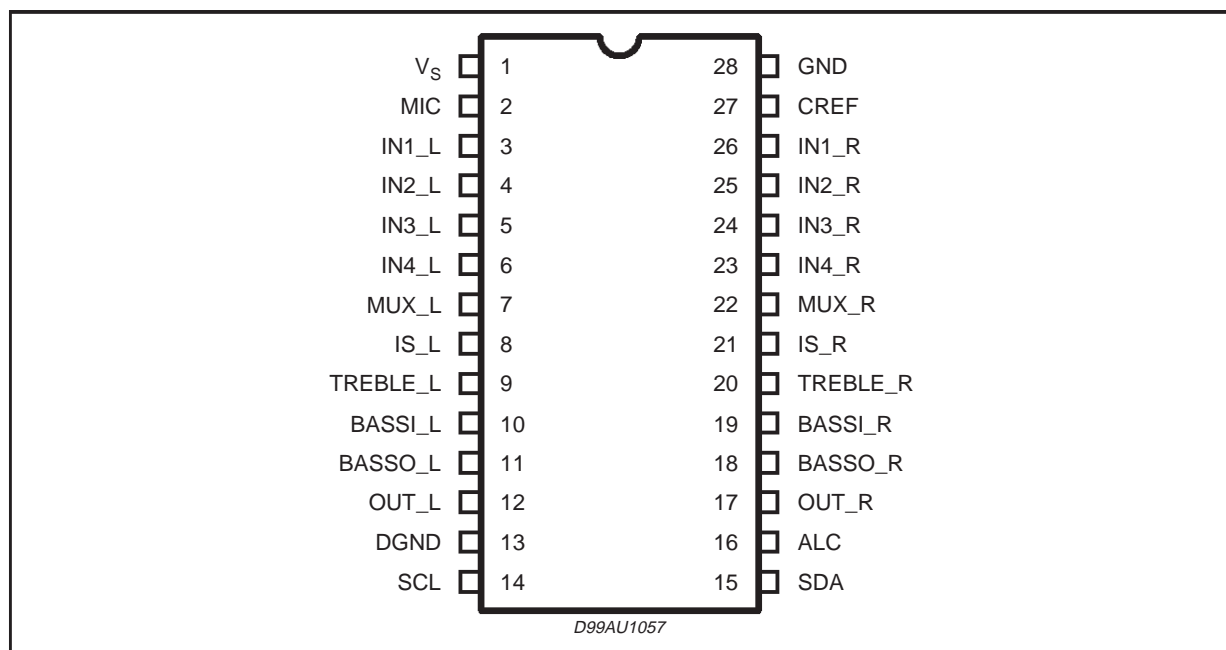
BLOCK DIAGRAM



ABSOLUTE MAXIMUM RATINGS

Symbol	Parameter	Value	Unit
V_S	Operating Supply Voltage	10.5	V
T_{amb}	Operating Ambient Temperature	-10 to 85	°C
T_{stg}	Storage Temperature Range	-55 to 150	°C

PIN CONNECTION



THERMAL DATA

Symbol	Parameter	Value	Unit
$R_{th\ j-pin}$	Thermal Resistance Junction-pins	85	°C/W

QUICK REFERENCE DATA

Symbol	Parameter	Min.	Typ.	Max.	Unit
V_S	Supply Voltage	5	9	10	V
V_{CL}	Max. input signal handling	2			V_{rms}
THD	Total Harmonic Distortion $V_I = 1V_{rms}$ $f = 1KHz$		0.01		%
	Total Harmonic Distortion $V_I = 0.1V_{rms}$ $f = 1KHz$			0.1	%
S/N	Signal to Noise Ratio $V_{out} = 1V_{rms}$ (0dB)		100		dB
S_C	Channel Separation $f = 1KHz$		90		dB
	Input Gain (2dB step)	0		14	dB
	Volume Control (1dB step)	-87		0	dB
	Treble Control (2dB step)	-14		+14	dB
	Bass Control (2dB step)	-14		+14	dB
	Mute Attenuation		86		dB

TDA7468D

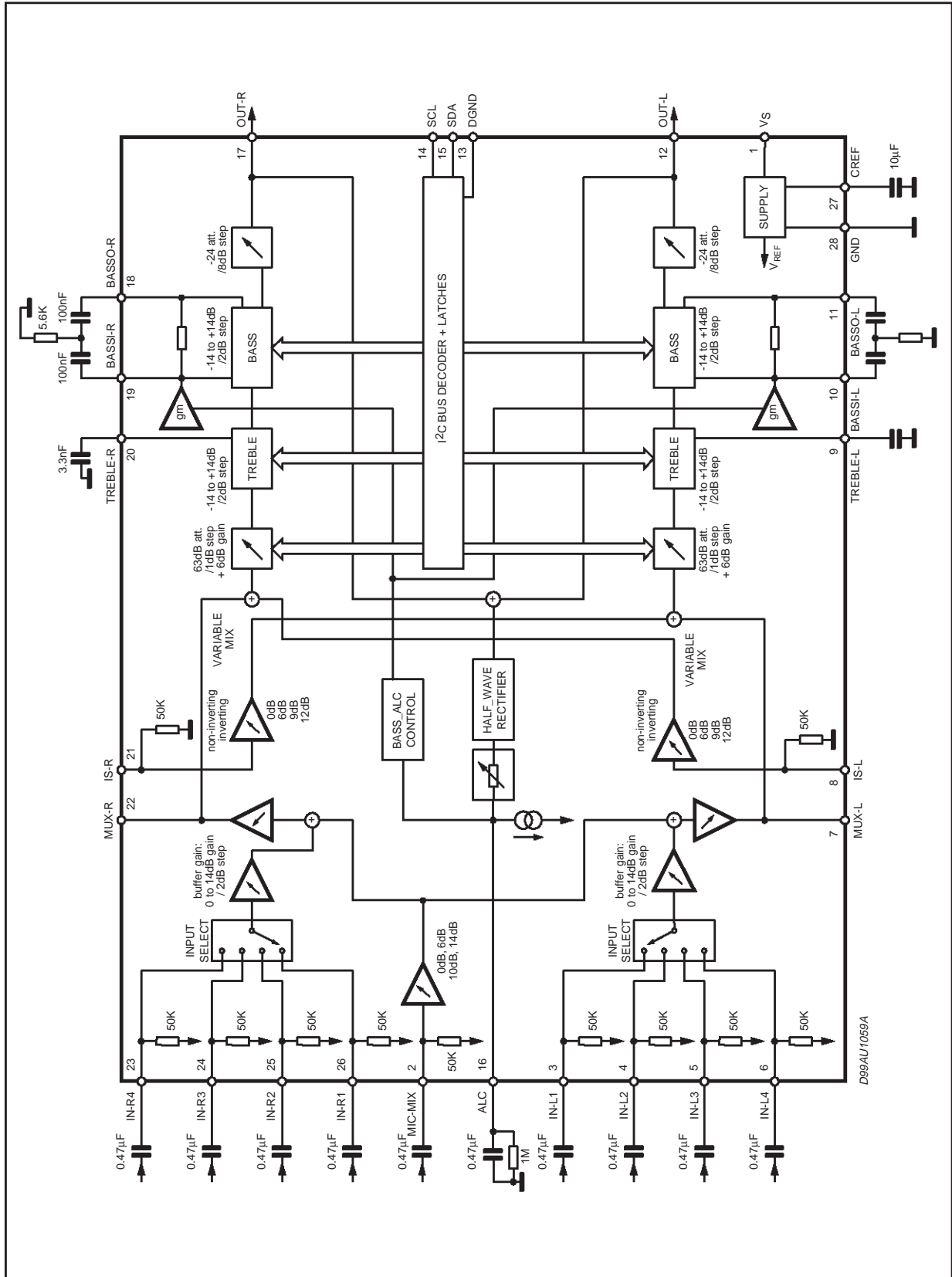
ELECTRICAL CHARACTERISTICS (refer to the test circuit $T_{amb} = 25^{\circ}\text{C}$, $V_S = 9\text{V}$, $f = 1\text{KHz}$
all controls flat ($G = 0\text{dB}$), unless otherwise specified)

Symbol	Parameter	Test Condition	Min.	Typ.	Max.	Unit
SUPPLY						
V_S	Supply Voltage		5	9	10	V
I_S	Supply Current			9		mA
SVR	Ripple Rejection		60	90		dB
INPUT STAGE						
R_{IN}	Input Resistance		35	50	65	$\text{K}\Omega$
V_{CL}	Clipping Level	THD = 0.3%	2	2.5		V_{rms}
S_{IN}	Input Separation		80	100		dB
G_{inmin}	Minimum Input Gain		-1	0	1	dB
G_{inmax}	Maximum Input Gain			14		dB
G_{step}	Step Resolution			2		dB
MIC						
R_{IN}	Input Resistance		35	50	65	$\text{K}\Omega$
G_{mic1}	Mic Input Gain 1			14		dB
G_{mic2}	Mic Input Gain 2			10		dB
G_{mic3}	Mic Input Gain 3			6		dB
G_{min4}	Mic Input Gain 4			0		dB
MIX_{mic}	Mixing Rate			50		%
SURROUND						
R_{in}	Input Resistance		35	50	65	$\text{K}\Omega$
G_{inmin}	Minimum Input Gain		-1	0	1	dB
G_{inmax}	Maximum Input Gain			12		dB
G_{inV}	Inverting Gain			-1		
Mix_{min}	Minimum Mixing Rate			0		%
Mix_{max}	Maximum Mixing Rate			100		%
Crosstalk	Crosstalk of Mux Output to 100% IS		40			dB
G_{buffer}	Buffer Gain			6		dB
VOLUME CONTROL						
C_{RANGE1}	Vol 1 Control Range			63		dB
A_{VMAX1}	Vol 1 Max. Attenuation		61	63	65	dB
A_{STEP1}	Vol 1 Step Resolution		0.5	1	1.5	dB
Match1	Matching			TBD		dB
C_{RANGE2}	Vol 2 Control Range			24		dB
A_{VMAX2}	Vol 2 Max. Attenuation		22	24	26	dB
A_{STEP2}	Vol 2 Step Resolution		7	8	9	dB
Match2	Matching			TBD		dB
A_{VMAX1+} A_{VMAX2}	Vol 1 + Vol 2 Max Attenuation			84		dB
BASS CONTROL						
G_B	Control Range	Max. Boost/cut	± 12.0	± 14.0	± 16.0	dB
B_{STEP}	Step Resolution		1	2	3	dB
R_B	Internal Feedback Resistance		33	44	55	$\text{K}\Omega$

ELECTRICAL CHARACTERISTICS (continued.)

Symbol	Parameter	Test Condition	Min.	Typ.	Max.	Unit
BASS ALC CONTROL						
R _{attack1}	Attack Time Resistor 1			12.5		K Ω
R _{attack2}	Attack Time Resistor 2			25		K Ω
R _{attack3}	Attack Time Resistor 3			50		K Ω
R _{attack4}	Attack Time Resistor 4			100		K Ω
Thresh1	Threshold 1			700		mV _{rms}
Thresh2	Threshold 2			485		mV _{rms}
Thresh3	Threshold 3			320		mV _{rms}
Thresh4	Threshold 4			170		mV _{rms}
TREBLE CONTROL						
G _t	Control Range	Max. Boost/cut	± 13.0	± 14.0	± 15.0	dB
T _{STEP}	Step Resolution		1	2	3	dB
R _t	Internal Resistance			25		K Ω
AUDIO OUTPUTS						
V _{OCL}	Clipping Level	THD = 0.3%	2	2.5		V _{rms}
R _L	Output Load Resistance		2			K Ω
V _{OUT}	DC Voltage Level			4.5		V
GENERAL						
E _{NO}	Output Noise	BW = 20Hz to 20KHz; All gains 0dB; output muted flat		5 10	15	μ V μ V
S/N	Signal to Noise Ratio	All gains 0dB; V _O = 1V _{rms} ;		100		dB
S _C	Channel Separation Left/Right			90		dB
d	Distortion	A _V = 0; V _I = 0.1V _{rms} ;			0.1	%
		A _V = 0; V _I = 1V _{rms} ;		0.01		%
S _C	Channel Separation left/right			90		dB
	Total Tracking Error			0	1	dB
BUS INPUT						
V _{IL}	Input Low Voltage				1	V
V _{IH}	Input High Voltage		2.5			V
I _{IN}	Input Current	V _{IN} = 0.4V	-5		5	μ A
V _O	Output Voltage (ACK)	I _O = 1.6mA		0.4	0.8	V

TEST CIRCUIT



APPLICATION SUGGESTIONS

The first and the last stages are volume control blocks. The control range is 0 to -63dB (mute) with 1dB step resolution for this first one, 0 to 24dB (mute) with 8dB step resolution for the last one..

The very high resolution allows the implementation of systems free from any noisy acoustical effect.

The TDA7468D audioprocessor provides 2 bands tones control.

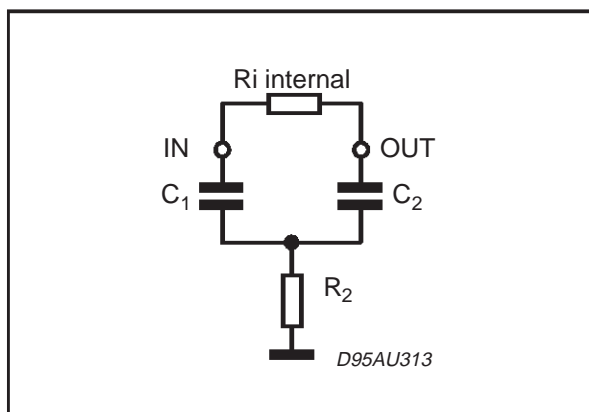
Bass, Stages

The Bass cell has an internal resistor $R_i = 44K\Omega$ typical.

Several filter types can be implemented, connecting external components to the Bass IN and OUT pins.

The fig.1 refers to basic T Type Bandpass Filter

Figure 1.



starting from the filter component values (R_1 internal and R_2, C_1, C_2 external) the centre frequency F_c , the gain A_v at max. boost and the filter Q factor are computed as follows:

$$F_c = \frac{1}{2 \cdot \pi \cdot \sqrt{R_1 \cdot R_2 \cdot C_1 \cdot C_2}}$$

$$A_v = \frac{R_2 C_2 + R_2 C_1 + R_i C_1}{R_2 C_1 + R_2 C_2}$$

$$Q = \frac{\sqrt{R_1 \cdot R_2 \cdot C_1 \cdot C_2}}{R_2 C_1 + R_2 C_2}$$

Viceversa, once F_c , A_v , and R_i internal value are fixed, the external components values will be:

$$C_1 = \frac{A_v - 1}{2 \cdot \pi \cdot F_c \cdot R_i \cdot Q} \quad C_2 = \frac{Q^2 \cdot C_1}{A_v - 1 - Q^2}$$

$$R_2 = \frac{A_v - 1 - Q^2}{2 \cdot \pi \cdot C_1 \cdot F_c \cdot (A_v - 1) \cdot Q}$$

Treble Stage

The treble stage is a high pass filter whose time constant is fixed by an internal resistor (25K Ω typical) and an external capacitor connected between treble pins and ground

CREF

The suggested 10 μ F reference capacitor (CREF) value can be reduced to 4.7 μ F if the application requires faster power ON.

I²C BUS INTERFACE

Data transmission from microprocessor to the TDA7468D and vice versa takes place through the 2 wires I²C BUS interface, consisting of the two lines SDA and SCL (pull-up resistors to positive supply voltage must be connected).

Data Validity

As shown in fig. 2, the data on the SDA line must be stable during the high period of the clock. The HIGH and LOW state of the data line can only change when the clock signal on the SCL line is LOW.

Start and Stop Conditions

As shown in fig.3 a start condition is a HIGH to LOW transition of the SDA line while SCL is HIGH. The stop condition is a LOW to HIGH transition of the SDA line while SCL is HIGH.

Byte Format

Every byte transferred on the SDA line must contain 8 bits. Each byte must be followed by an ac-

knowledge bit. The MSB is transferred first.

Acknowledge

The master (μ P) puts a restive HIGH level on the SDA line during the acknowledge clock pulse (see fig. 4). The peripheral (audio processor) that acknowledges has to pull-down (LOW) the SDA line during this clock pulse.

The audio processor which has been addressed has to generate an acknowledge after the reception of each byte, otherwise the SDA line remains at the HIGH level during the ninth clock pulse time. In this case the master transmitter can generate the STOP information in order to abort the transfer.

Transmission without Acknowledge

Avoiding to detect the acknowledge of the audio processor, the μ P can use a simpler transmission: simply it waits one clock without checking the slave acknowledging, and sends the new data.

This approach of course is less protected from misworking.

Figure 2: Data Validity on the I²CBUS

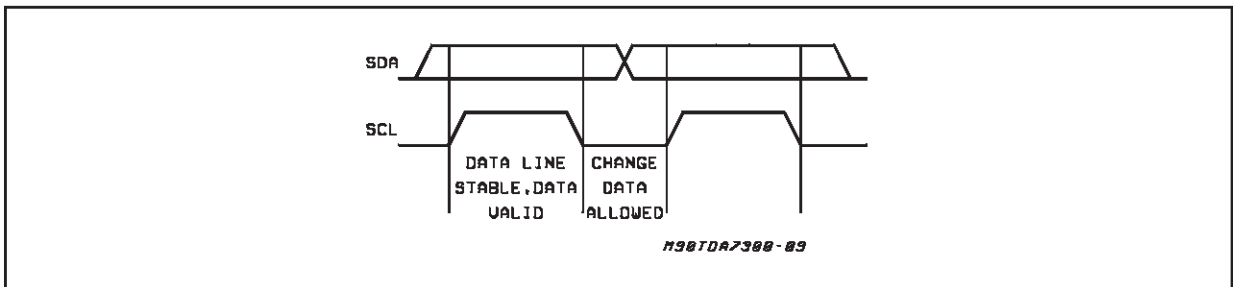


Figure 3: Timing Diagram of I²CBUS

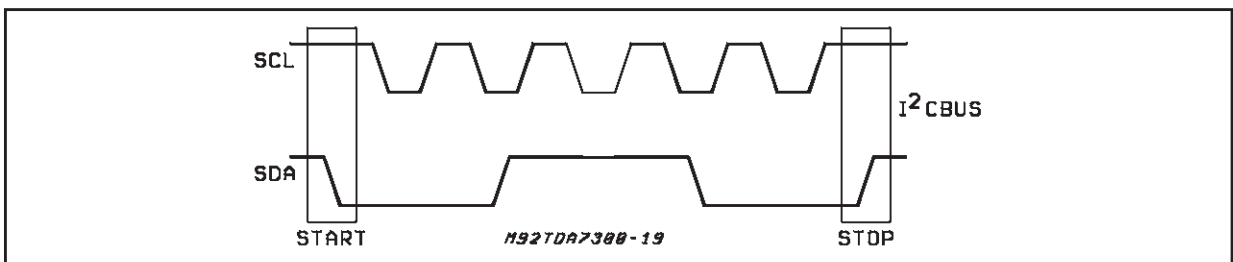
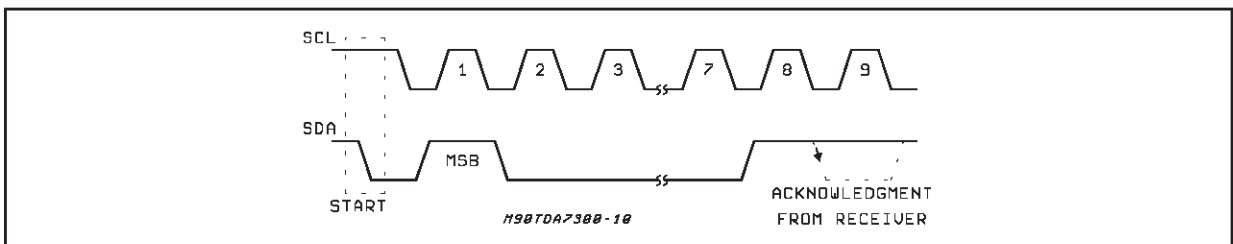


Figure 4: Acknowledge on the I²CBUS



SOFTWARE SPECIFICATION

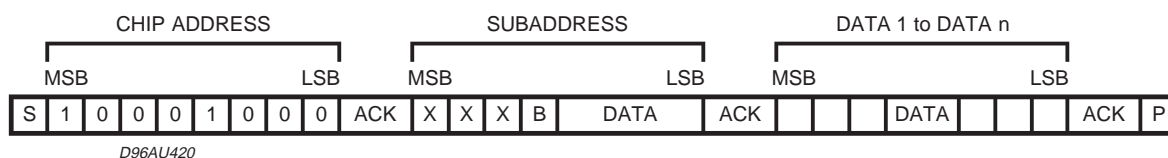
Interface Protocol

The interface protocol comprises:

- A start condition (S)
- A chip address byte, containing the TDA7468D

address

- A subaddress bytes
- A sequence of data (N byte + acknowledge)
- A stop condition (P)



ACK = Acknowledge

S = Start

P = Stop

A = Address

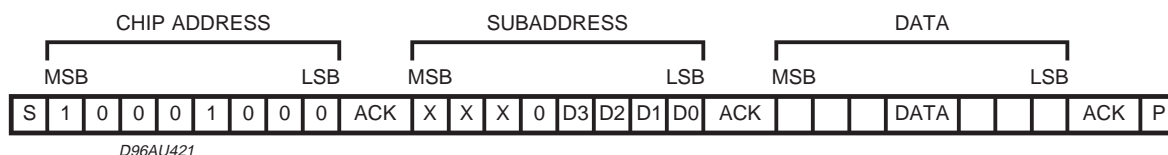
B = Auto Increment

EXAMPLES

No Incremental Bus

The TDA7468D receives a start condition, the

correct chip address, a subaddress with the B = 0 (no incremental bus), N-data (all these data concern the subaddress selected), a stop condition.

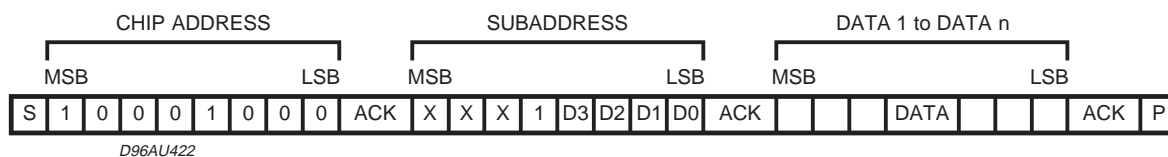


Incremental Bus

The TDA7468D receive a start conditions, the correct chip address, a subaddress with the B = 1 (incremental bus): now it is in a loop condition with an autoincrease of the subaddress whereas

SUBADDRESS from "XXX1000" to "XXX1111" of DATA are ignored.

The DATA 1 concern the subaddress sent, and the DATA 2 concern the subaddress sent plus one in the loop etc, and at the end it receives the stop condition.



TDA7468D

POWER ON RESET CONDITION

MSB							LSB
D7	D6	D5	D4	D3	D2	D1	D0
1	1	1	1	1	1	1	0

DATA BYTES

Address = (HEX) 10001000.

FUNCTION SELECTION: First byte (subaddress)

MSB							LSB	SUBADDRESS
D7	D6	D5	D4	D3	D2	D1	D0	
X	X	X	B	0	0	0	0	INPUT SELECT & MIC
X	X	X	B	0	0	0	1	INPUT GAIN
X	X	X	B	0	0	1	0	SURROUND
X	X	X	B	0	0	1	1	VOLUME LEFT
X	X	X	B	0	1	0	0	VOLUME RIGHT
X	X	X	B	0	1	0	1	TREBLE & BASS
X	X	X	B	0	1	1	0	OUTPUT
X	X	X	B	0	1	1	1	BASS ALC

B = 1: INCREMENTAL BUS; ACTIVE

B = 0: NO INCREMENTAL BUS

X = INDIFFERENT 0/1

INPUT SELECTION & MIC

MSB							LSB	
D7	D6	D5	D4	D3	D2	D1	D0	
								INPUT SELECT
					0	0	0	IN1
					0	0	1	IN2
					0	1	0	IN3
					0	1	1	IN4
								MUTE (IN5)
					1			ON (IN5)
					0			OFF
								MIC
			0	0				Gain: 14dB
			0	1				Gain: 10dB
			1	0				Gain: 6dB
			1	1				Gain: 0dB
		1						OFF
		0						ON

DATA BYTES (continued)**INPUT GAIN SELECTION**

MSB							LSB	INPUT GAIN
D7	D6	D5	D4	D3	D2	D1	D0	2dB STEPS
					0	0	0	0dB
					0	0	1	2dB
					0	1	0	4dB
					0	1	1	6dB
					1	0	0	8dB
					1	0	1	10dB
					1	1	0	12dB
					1	1	1	14dB

GAIN = 0 to 30dB

SURROUND

MSB							LSB	SURROUND	
D7	D6	D5	D4	D3	D2	D1	D0		
								SURROUND MODE	
							1	ON	
							0	OFF	
								GAIN	
					0	0		0dB	
					0	1		6dB	
					1	0		9dB	
					1	1		12dB	
								MIXING	
		0	0	0				inverting : 100%	
		0	0	1				inverting :50%	
		0	1	0				inverting : 25%	
		0	1	1				0%	
		1	0	0				non-inverting : 100%	
		1	0	1				non-inverting : 75%	
		1	1	0				non-inverting : 50%	
		1	1	1				mute	
								BUFFER GAIN	
		1							0
		0							6dB

TDA7468D

VOLUME

MSB							LSB	VOLUME
D7	D6	D5	D4	D3	D2	D1	D0	1dB STEPS
					0	0	0	0dB
					0	0	1	-1dB
					0	1	0	-2dB
					0	1	1	-3dB
					1	0	0	-4dB
					1	0	1	-5dB
					1	1	0	-6dB
					1	1	1	-7dB
								8dB STEPS
		0	0	0				0dB
		0	0	1				-8dB
		0	1	0				-16dB
		0	1	1				-24dB
		1	0	0				-32dB
		1	0	1				-40dB
		1	1	0				-48dB
		1	1	1				-56dB
								VOLUME 2
0	0							0dB
0	1							-8dB
1	0							-16dB
1	1							-24dB

VOLUME = 0 to -87dB

VOLUME setting 1

Target Volume (dB)	Volume1 1dB step (dB)	Volume1 8dB step (dB)	Volume2 8dB step (dB)
0	0	0	0
-1	-1		
-2	-2		
-3	-3		
-4	-4		
-5	-5		
-6	-6		
-7	-7		
-8	0	-8	0
-9	-1		
-10	-2		
-11	-3		
-12	-4		
-13	-5		
-14	-6		
-15	-7		
-16	0	-16	0
-17	-1		
-18	-2		
-19	-3		
-20	-4		
-21	-5		
-22	-6		
-23	-7		
-24	0	-24	0
-25	-1		
-26	-2		
-27	-3		
-28	-4		
-29	-5		
-30	-6		
-31	-7		
-32	0	-32	0
-33	-1		
-34	-2		
-35	-3		
-36	-4		
-37	-5		
-38	-6		
-39	-7		
-40	0	-40	0
-41	-1		
-42	-2		
-43	-3		
-44	-4		
-45	-5		
-46	-6		
-47	-7		
-48	0	-48	0
-49	-1		
-50	-2		
-51	-3		
-52	-4		
-53	-5		
-54	-6		
-55	-7		

TDA7468D

VOLUME setting 1 (continued)

Target Volume (dB)	Volume1 1dB step (dB)	Volume1 8dB step (dB)	Volume2 8dB step (dB)
-56	0	-56	0
-57	-1		
-58	-2		
-59	-3		
-60	-4		
-61	-5		
-62	-6		
-63	-7		
-64	0	-56	8
-65	-1		
-66	-2		
-67	-3		
-68	-4		
-69	-5		
-70	-6		
-71	-7		
-72	0	-56	-16
-73	-1		
-74	-2		
-75	-3		
-76	-4		
-77	-5		
-78	-6		
-79	-7		
-80	0	-56	-24
-81	-1		
-82	-2		
-83	-3		
-84	-4		
-85	-5		
-86	-6		
-87	-7		

VOLUME setting 2

Target Volume (dB)	Volume1 1dB step (dB)	Volume1 8dB step (dB)	Volume2 8dB step (dB)
0	0	0	0
-1	-1		
-2	-2		
-3	-3		
-4	-4		
-5	-5		
-6	-6		
-7	-7		
-8	0	-8	0
-9	-1		
-10	-2		
-11	-3		
-12	-4		
-13	-5		
-14	-6		
-15	-7		
-16	0	-16	0
-17	-1		
-18	-2		
-19	-3		
-20	-4		
-21	-5		
-22	-6		
-23	-7		
-24	0	-16	-8
-25	-1		
-26	-2		
-27	-3		
-28	-4		
-29	-5		
-30	-6		
-31	-7		
-32	0	-16	-16
-33	-1		
-34	-2		
-35	-3		
-36	-4		
-37	-5		
-38	-6		
-39	-7		
-40	0	-16	-24
-41	-1		
-42	-2		
-43	-3		
-44	-4		
-45	-5		
-46	-6		
-47	-7		
-48	0	-24	-24
-49	-1		
-50	-2		
-51	-3		
-52	-4		
-53	-5		
-54	-6		
-55	-7		

TDA7468D

VOLUME setting 2 (continued)

Target Volume (dB)	Volume1 1dB step (dB)	Volume1 8dB step (dB)	Volume2 8dB step (dB)
-56	0	-32	-24
-57	-1		
-58	-2		
-59	-3		
-60	-4		
-61	-5		
-62	-6		
-63	-7		
-64	0	-40	-24
-65	-1		
-66	-2		
-67	-3		
-68	-4		
-69	-5		
-70	-6		
-71	-7		
-72	0	-48	-24
-73	-1		
-74	-2		
-75	-3		
-76	-4		
-77	-5		
-78	-6		
-79	-7		
-80	0	-56	-24
-81	-1		
-82	-2		
-83	-3		
-84	-4		
-85	-5		
-86	-6		
-87	-7		

TREBLE & BASS SELECTION

MSB								LSB	
D7	D6	D5	D4	D3	D2	D1	D0	TREBLE	
				0	0	0	0	-14dB	
				0	0	0	1	-12dB	
				0	0	1	0	-10dB	
				0	0	1	1	-8dB	
				0	1	0	0	-6dB	
				0	1	0	1	-4dB	
				0	1	1	0	-2dB	
				0	1	1	1	0dB	
				1	0	0	0	14dB	
				1	0	0	1	12dB	
				1	0	1	0	10dB	
				1	0	1	1	8dB	
				1	1	0	0	6dB	
				1	1	0	1	4dB	
				1	1	1	0	2dB	
				1	1	1	1	0dB	
								BASS (*)	
0	0	0	0					-14dB	
0	0	0	1					-12dB	
0	0	1	0					-10dB	
0	0	1	1					-8dB	
0	1	0	0					-6dB	
0	1	0	1					-4dB	
0	1	1	0					-2dB	
0	1	1	1					0dB	
1	0	0	0					14dB	
1	0	0	1					12dB	
1	0	1	0					10dB	
1	0	1	1					8dB	
1	1	0	0					6dB	
1	1	0	1					4dB	
1	1	1	0					2dB	
1	1	1	1					0dB	

(*) When BASS is programmed in the range -14dB/0dB, ALC is automatically switched to "OFF".

TDA7468D

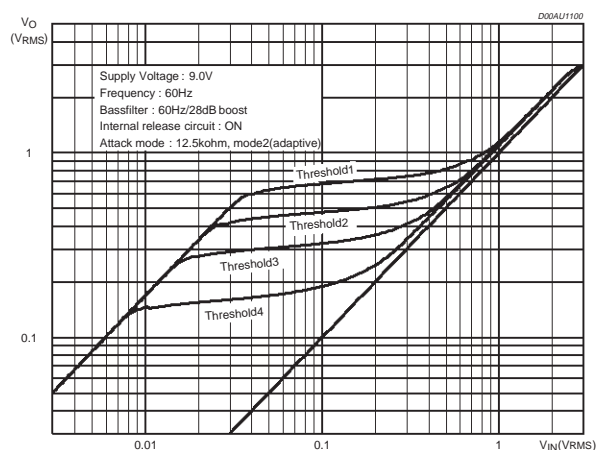
DATA BYTES (continued) OUTPUT

MSB							LSB	
D7	D6	D5	D4	D3	D2	D1	D0	MUTE
							0	ON
							1	OFF

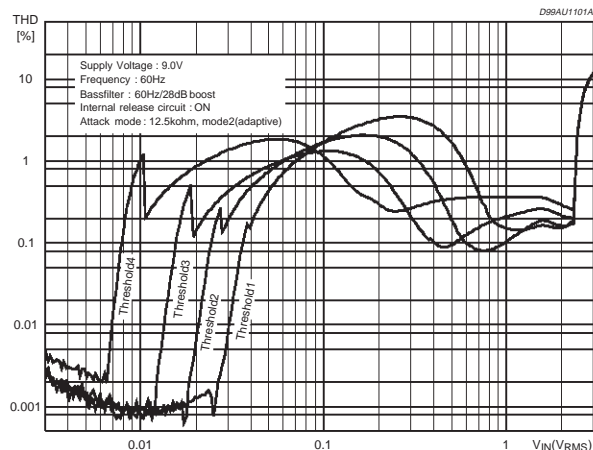
BASS ALC

MSB							LSB		BASS ALC
D7	D6	D5	D4	D3	D2	D1	D0		
ALC Mode									
							1	ON	
							0	OFF	
Detector									
						1		ON	
						0		OFF	
Release Current Circuit									
					1			ON	
					0			OFF	
Attack Time Resistor									
			0	0				12.5KΩ	
			0	1				25KΩ	
			1	0				50KΩ	
			1	1				100KΩ	
Threshold									
	0	0						700mVrms	
	0	1						485mVrms	
	1	0						320mVrms	
	1	1						170mVrms	
Attack Mode									
0								MODE 1: Fixed Resistor	
1								MODE 2: Adaptive	

BASS ALC : Threshold curve



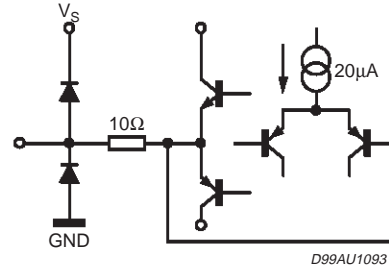
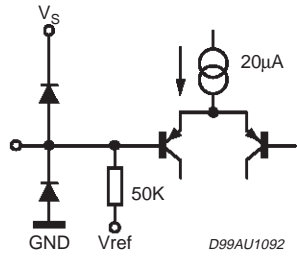
BASS ALC : THD



IC1

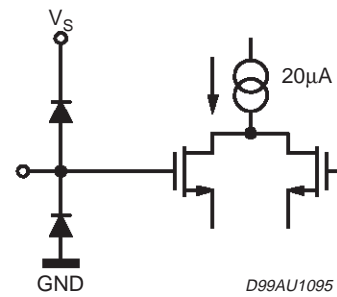
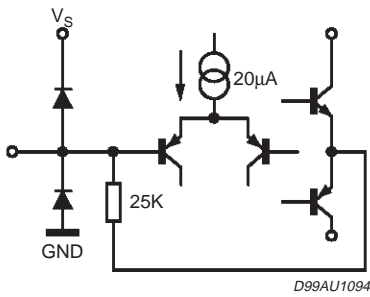
PINS: IN1_L, IN1_R, IN2_L, IN2_R, IN3_L, IN3_R, IN4_L, IN4_R, IS_L, IS_R, MIC

PINS: OUT_L, OUT_R, IMUX_L, MUX_R,



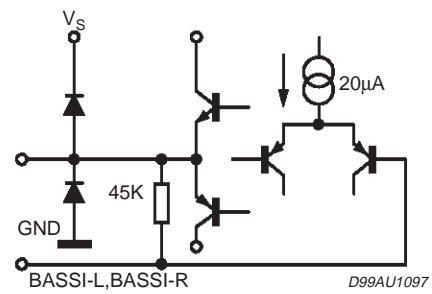
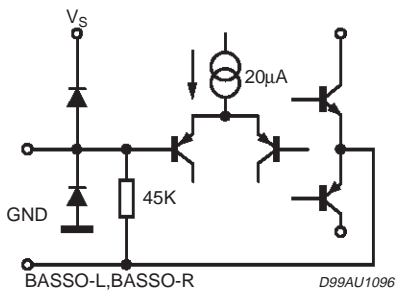
PINS: TREBLE_L, TREBLE_R

PINS: SCL, SDA



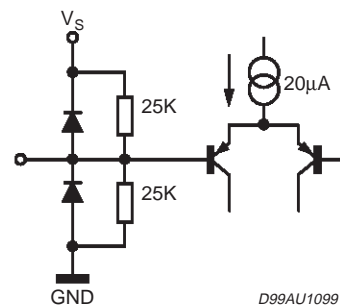
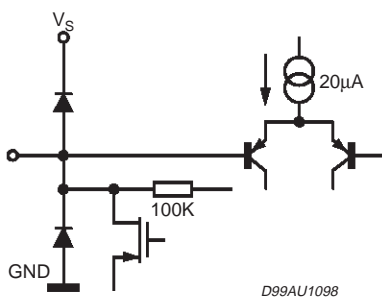
PINS: BASSI_L, BASSI_R

PINS: BASSO_L, BASSO_R



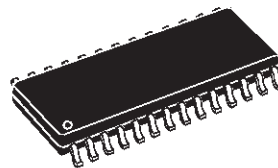
PIN: ALC

PIN: CREF

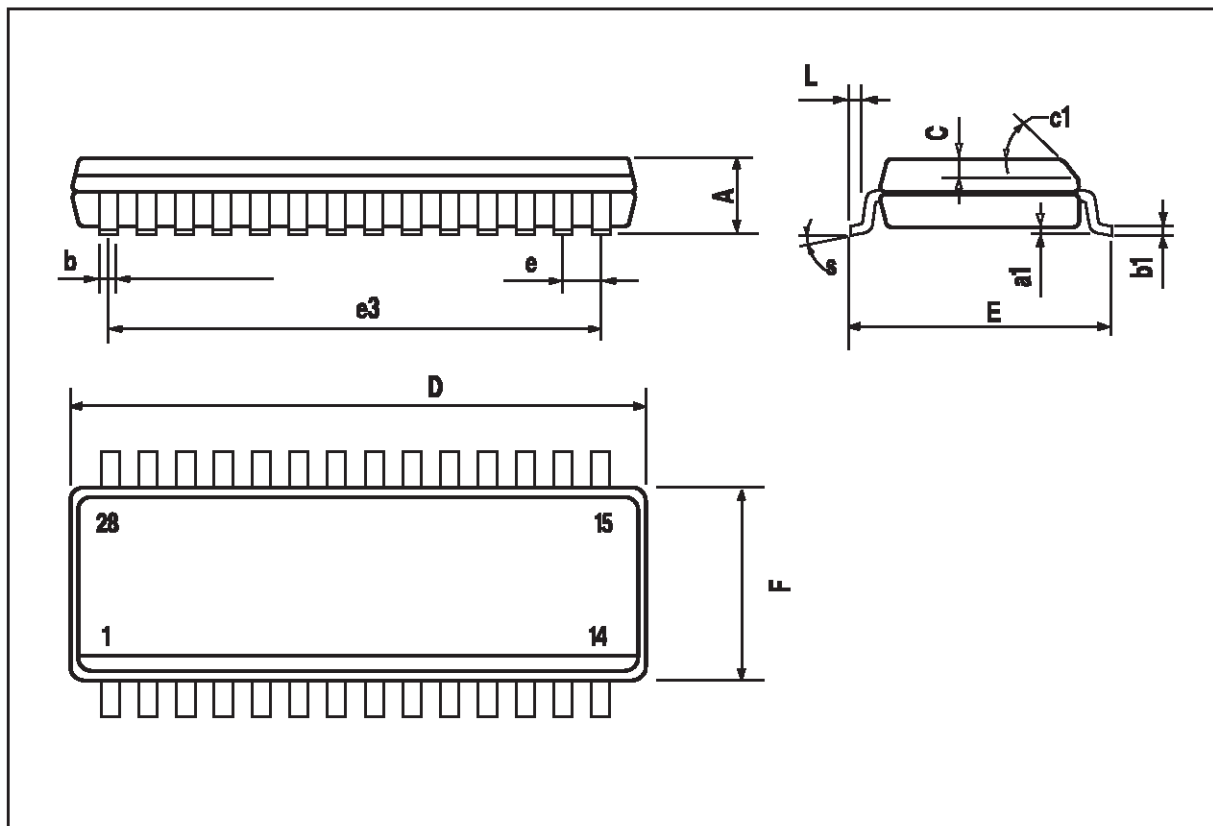


DIM.	mm			inch		
	MIN.	TYP.	MAX.	MIN.	TYP.	MAX.
A			2.65			0.104
a1	0.1		0.3	0.004		0.012
b	0.35		0.49	0.014		0.019
b1	0.23		0.32	0.009		0.013
C		0.5			0.020	
c1	45° (typ.)					
D	17.7		18.1	0.697		0.713
E	10		10.65	0.394		0.419
e		1.27			0.050	
e3		16.51			0.65	
F	7.4		7.6	0.291		0.299
L	0.4		1.27	0.016		0.050
S	8° (max.)					

OUTLINE AND MECHANICAL DATA



SO28



Information furnished is believed to be accurate and reliable. However, STMicroelectronics assumes no responsibility for the consequences of use of such information nor for any infringement of patents or other rights of third parties which may result from its use. No license is granted by implication or otherwise under any patent or patent rights of STMicroelectronics. Specification mentioned in this publication are subject to change without notice. This publication supersedes and replaces all information previously supplied. STMicroelectronics products are not authorized for use as critical components in life support devices or systems without express written approval of STMicroelectronics.

The ST logo is a registered trademark of STMicroelectronics

© 2002 STMicroelectronics – Printed in Italy – All Rights Reserved

STMicroelectronics GROUP OF COMPANIES

Australia - Brazil - Canada - China - Finland - France - Germany - Hong Kong - India - Israel - Italy - Japan - Malaysia - Malta - Morocco -
Singapore - Spain - Sweden - Switzerland - United Kingdom - United States.

<http://www.st.com>



This datasheet has been download from:

www.datasheetcatalog.com

Datasheets for electronics components.