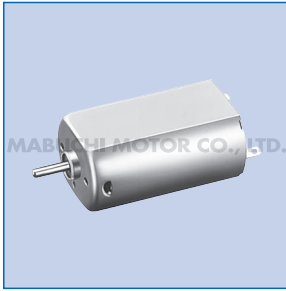


FF-180PH/SH

OUTPUT : 0.05W ~ 5.6W (APPROX)

貴金属ブラシ | Precious metal-brush motors | 贵金属电刷刷



代表的用途

音響・映像機器
 家電機器：シェーバー／バリカン／歯ブラシ

Typical Applications

Audio and Visual Equipment
 Home Appliances : Electric Shaver / Hair Clipper / Toothbrush

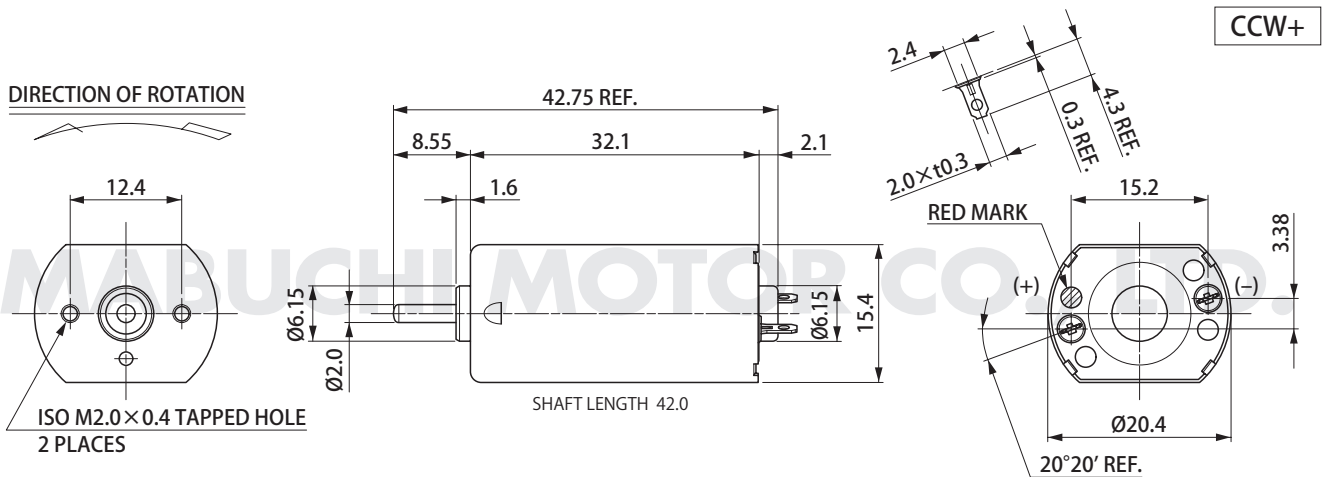
主要用途

音响、影像机器
 家电机器：电动剃须刀、理发器、电动牙刷

WEIGHT : 32g (APPROX)

MODEL		VOLTAGE		NO LOAD		AT MAXIMUM EFFICIENCY				STALL			
		OPERATING RANGE	NOMINAL	SPEED	CURRENT	SPEED	CURRENT	TORQUE		OUTPUT	TORQUE		CURRENT
				r/min	A	r/min	A	mN-m	g-cm	W	mN-m	g-cm	A
FF-180PH-2852	(*1)	1~3	2.4V CONSTANT	8100	0.15	6850	0.82	1.82	18.6	1.30	11.8	120	4.50
FF-180SH-2657	(*1)	1~3	2.4V CONSTANT	7700	0.13	6500	0.70	1.56	15.9	1.06	10.0	102	3.80

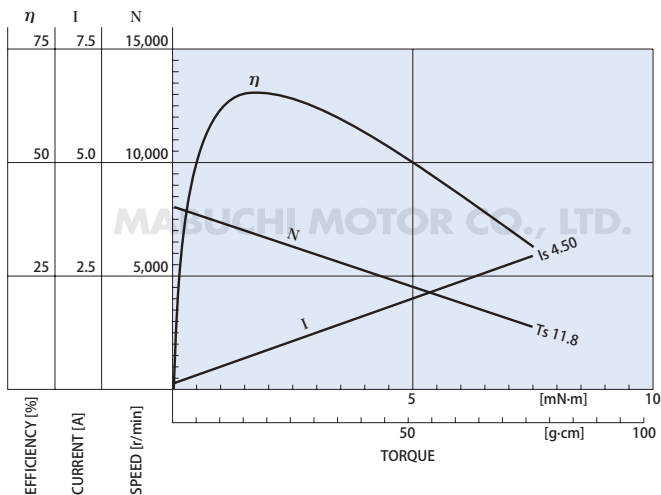
(*1) CCW 進角仕様 (CCW+) | CCW shifted commutation (CCW+) | CCW 进角规格 (CCW+)



取付けネジの長さはモータケース面より2.0以下
 Usable machine screw length 2.0 max. from motor mounting surface.
 安装螺丝的长度须从马达壳面算起2.0以内

UNIT : MILLIMETERS

FF-180PH-2852 2.4V



FF-180SH-2657 2.4V

