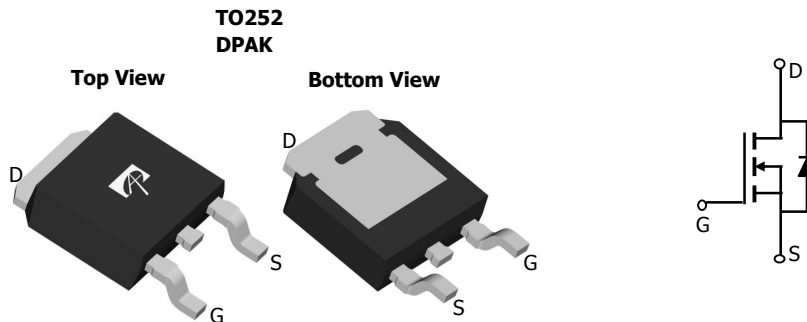


**AOD484**  
**30V N-Channel MOSFET**
**General Description**

The AOD484 uses advanced trench technology and design to provide excellent  $R_{DS(ON)}$  with low gate charge. This device is suitable for use in PWM, load switching and general purpose applications.

**Features**

$V_{DS}$  (V) = 30V  
 $I_D$  = 25 A ( $V_{GS}$  = 10V)  
 $R_{DS(ON)}$  < 15 m $\Omega$  ( $V_{GS}$  = 10V)  
 $R_{DS(ON)}$  < 23 m $\Omega$  ( $V_{GS}$  = 4.5V)  
 100% UIS Tested  
 100% Rg Tested


**Absolute Maximum Ratings  $T_A=25^\circ\text{C}$  unless otherwise noted**

| Parameter   | Symbol                  | Maximum    | Units            |
|---|-------------------------|------------|------------------|
| Drain-Source Voltage                                      | $V_{DS}$                | 30         | V                |
| Gate-Source Voltage                                       | $V_{GS}$                | $\pm 20$   | V                |
| Continuous Drain Current <sup>G</sup>                     | $T_C=25^\circ\text{C}$  | 25         | A                |
|   | $T_C=100^\circ\text{C}$ | 20         |                  |
| Pulsed Drain Current <sup>C</sup>                         | $I_{DM}$                | 80         |                  |
| Avalanche Current <sup>C</sup>                            | $I_{AR}$                | 15         | A                |
| Repetitive avalanche energy $L=0.3\text{mH}$ <sup>C</sup> | $E_{AR}$                | 33         | mJ               |
| Power Dissipation <sup>B</sup>                            | $T_C=25^\circ\text{C}$  | 50         | W                |
|   | $T_C=100^\circ\text{C}$ | 25         |                  |
| Power Dissipation <sup>A</sup>                            | $T_A=25^\circ\text{C}$  | 2.1        | W                |
|   | $T_A=70^\circ\text{C}$  | 1.3        |                  |
| Junction and Storage Temperature Range                    | $T_J, T_{STG}$          | -55 to 175 | $^\circ\text{C}$ |

**Thermal Characteristics**

| Parameter                                | Symbol          | Typ                 | Max | Units              |                    |
|--|-----------------|---------------------|-----|--------------------|--------------------|
| Maximum Junction-to-Ambient <sup>A</sup> | $R_{\theta JA}$ | $t \leq 10\text{s}$ | 17  | 25                 | $^\circ\text{C/W}$ |
| Maximum Junction-to-Ambient <sup>A</sup> |                 | Steady-State        | 55  | 60                 | $^\circ\text{C/W}$ |
| Maximum Junction-to-Case <sup>B</sup>    | $R_{\theta JC}$ | 2.3                 | 3   | $^\circ\text{C/W}$ |                    |

Electrical Characteristics ( $T_J=25^\circ\text{C}$  unless otherwise noted)

| Symbol                      | Parameter                             | Conditions  | Min | Typ  | Max       | Units            |
|-----------------------------|---------------------------------------|---|-----|------|-----------|------------------|
| <b>STATIC PARAMETERS</b>    |                                       |   |     |      |           |                  |
| $BV_{DSS}$                  | Drain-Source Breakdown Voltage        | $I_D=250\mu\text{A}$ , $V_{GS}=0\text{V}$   | 30  |      |           | V                |
| $I_{DSS}$                   | Zero Gate Voltage Drain Current       | $V_{DS}=24\text{V}$ , $V_{GS}=0\text{V}$<br>$T_J=55^\circ\text{C}$                  |     |      | 1<br>5    | $\mu\text{A}$    |
| $I_{GSS}$                   | Gate-Body leakage current             | $V_{DS}=0\text{V}$ , $V_{GS}=\pm 20\text{V}$  |     |      | $\pm 100$ | nA               |
| $V_{GS(th)}$                | Gate Threshold Voltage                | $V_{DS}=V_{GS}$ , $I_D=250\mu\text{A}$  | 1   | 1.5  | 2.5       | V                |
| $I_{D(ON)}$                 | On state drain current                | $V_{GS}=10\text{V}$ , $V_{DS}=5\text{V}$  | 80  |      |           | A                |
| $R_{DS(ON)}$                | Static Drain-Source On-Resistance     | $V_{GS}=10\text{V}$ , $I_D=20\text{A}$  |     | 12.1 | 15        | $\text{m}\Omega$ |
|                             |                                       | $T_J=125^\circ\text{C}$   |     | 19   |           |                  |
|                             |                                       | $V_{GS}=4.5\text{V}$ , $I_D=15\text{A}$   |     | 18.5 | 23        | $\text{m}\Omega$ |
| $g_{FS}$                    | Forward Transconductance              | $V_{DS}=5\text{V}$ , $I_D=20\text{A}$   |     | 26   |           | S                |
| $V_{SD}$                    | Diode Forward Voltage                 | $I_S=1\text{A}$ , $V_{GS}=0\text{V}$  |     | 0.71 | 1         | V                |
| $I_S$                       | Maximum Body-Diode Continuous Current |   |     |      | 21        | A                |
| <b>DYNAMIC PARAMETERS</b>   |                                       |   |     |      |           |                  |
| $C_{iss}$                   | Input Capacitance                     | $V_{GS}=0\text{V}$ , $V_{DS}=15\text{V}$ , $f=1\text{MHz}$                          |     | 938  | 1220      | pF               |
| $C_{oss}$                   | Output Capacitance                    |   |     | 142  |           | pF               |
| $C_{rss}$                   | Reverse Transfer Capacitance          |   |     | 99   |           | pF               |
| $R_g$                       | Gate resistance                       | $V_{GS}=0\text{V}$ , $V_{DS}=0\text{V}$ , $f=1\text{MHz}$                           |     | 1.2  | 1.8       | $\Omega$         |
| <b>SWITCHING PARAMETERS</b> |                                       |   |     |      |           |                  |
| $Q_g(10\text{V})$           | Total Gate Charge                     | $V_{GS}=10\text{V}$ , $V_{DS}=15\text{V}$ , $I_D=20\text{A}$                        |     | 17.5 | 21        | nC               |
| $Q_g(4.5\text{V})$          | Total Gate Charge                     |   |     | 8.4  |           | nC               |
| $Q_{gs}$                    | Gate Source Charge                    |   |     | 3    |           | nC               |
| $Q_{gd}$                    | Gate Drain Charge                     |   |     | 4.1  |           | nC               |
| $t_{D(on)}$                 | Turn-On Delay Time                    | $V_{GS}=10\text{V}$ , $V_{DS}=15\text{V}$ , $R_L=0.75\Omega$ ,<br>$R_{GEN}=3\Omega$ |     | 5    |           | ns               |
| $t_r$                       | Turn-On Rise Time                     |   |     | 12   |           | ns               |
| $t_{D(off)}$                | Turn-Off Delay Time                   |   |     | 19   |           | ns               |
| $t_f$                       | Turn-Off Fall Time                    |   |     | 6    |           | ns               |
| $t_{rr}$                    | Body Diode Reverse Recovery Time      | $I_F=20\text{A}$ , $di/dt=100\text{A}/\mu\text{s}$                                  |     | 19   | 21        | ns               |
| $Q_{rr}$                    | Body Diode Reverse Recovery Charge    | $I_F=20\text{A}$ , $di/dt=100\text{A}/\mu\text{s}$                                  |     | 10   | 12        | nC               |

A: The value of  $R_{\theta JA}$  is measured with the device mounted on 1in<sup>2</sup> FR-4 board with 2oz. Copper, in a still air environment with  $T_A=25^\circ\text{C}$ . The Power dissipation  $P_{DSM}$  is based on  $R_{\theta JA}$  and the maximum allowed junction temperature of 150°C. The value in any given application depends on the user's specific board design, and the maximum temperature of 175°C may be used if the PCB allows it.

B: The power dissipation  $P_D$  is based on  $T_{J(MAX)}=175^\circ\text{C}$ , using junction-to-case thermal resistance, and is more useful in setting the upper dissipation limit for cases where additional heatsinking is used.

C: Repetitive rating, pulse width limited by junction temperature  $T_{J(MAX)}=175^\circ\text{C}$ .

D: The  $R_{\theta JA}$  is the sum of the thermal impedance from junction to case  $R_{\theta JC}$  and case to ambient.

E: The static characteristics in Figures 1 to 6 are obtained using <300  $\mu\text{s}$  pulses, duty cycle 0.5% max.

F: These curves are based on the junction-to-case thermal impedance which is measured with the device mounted to a large heatsink, assuming a maximum junction temperature of  $T_{J(MAX)}=175^\circ\text{C}$ .

G: The maximum current is limited by package.

H: These tests are performed with the device mounted on 1 in 2 FR-4 board with 2oz. Copper, in a still air environment with  $T_A=25^\circ\text{C}$ . The SOA curve provides a single pulse rating.

\*This device is guaranteed green after data code 8X11 (Sep 1<sup>ST</sup> 2008).

Rev5: Aug. 2009

THIS PRODUCT HAS BEEN DESIGNED AND QUALIFIED FOR THE CONSUMER MARKET. APPLICATIONS OR USES AS CRITICAL COMPONENTS IN LIFE SUPPORT DEVICES OR SYSTEMS ARE NOT AUTHORIZED. AOS DOES NOT ASSUME ANY LIABILITY ARISING OUT OF SUCH APPLICATIONS OR USES OF ITS PRODUCTS. AOS RESERVES THE RIGHT TO IMPROVE PRODUCT DESIGN, FUNCTIONS AND RELIABILITY WITHOUT NOTICE.

TYPICAL ELECTRICAL AND THERMAL CHARACTERISTICS

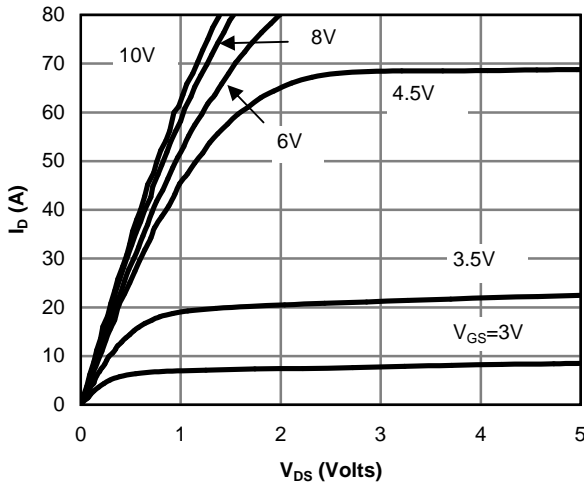


Figure 1: On-Region Characteristics

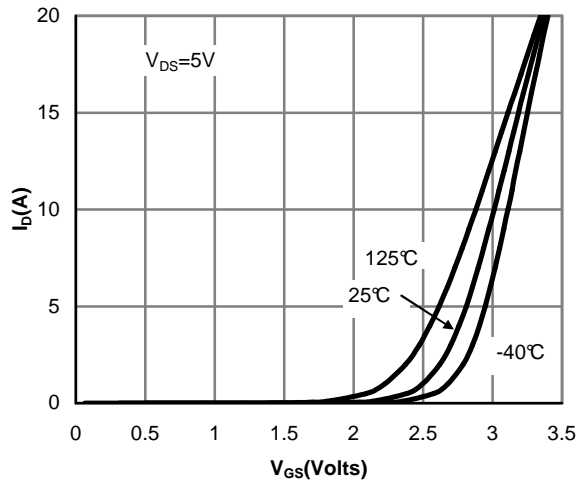


Figure 2: Transfer Characteristics

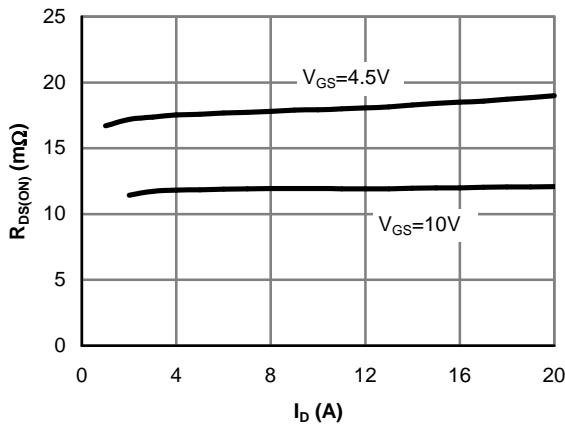


Figure 3: On-Resistance vs. Drain Current and Gate Voltage

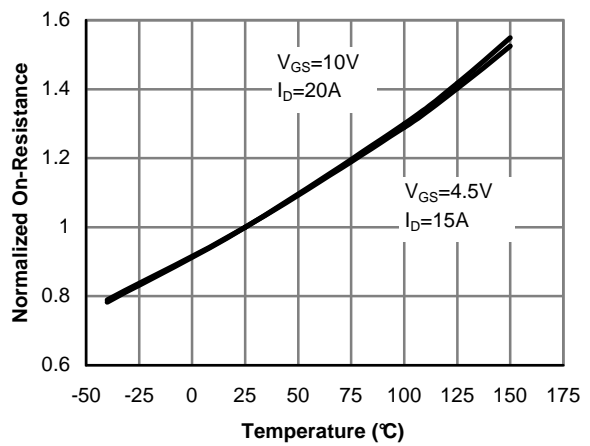


Figure 4: On-Resistance vs. Junction Temperature

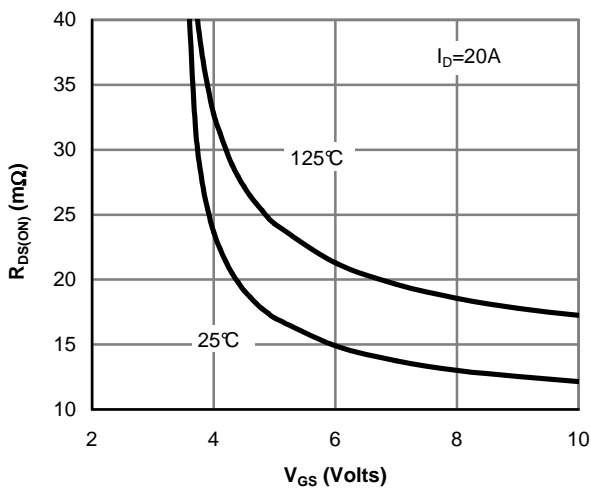


Figure 5: On-Resistance vs. Gate-Source Voltage

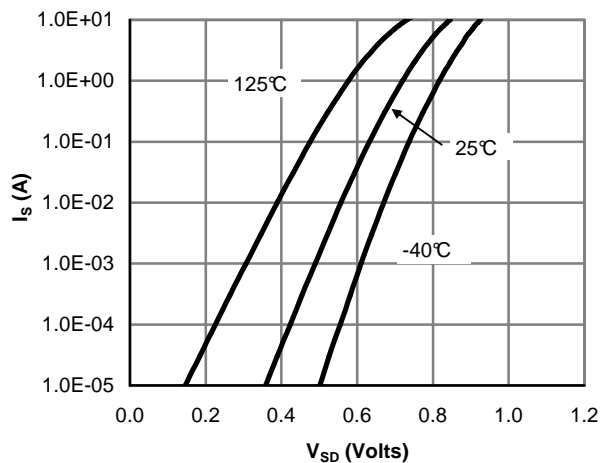


Figure 6: Body-Diode Characteristics

TYPICAL ELECTRICAL AND THERMAL CHARACTERISTICS

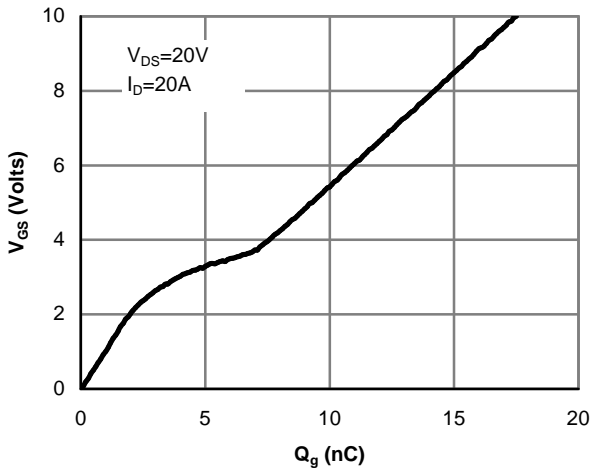


Figure 7: Gate-Charge Characteristics

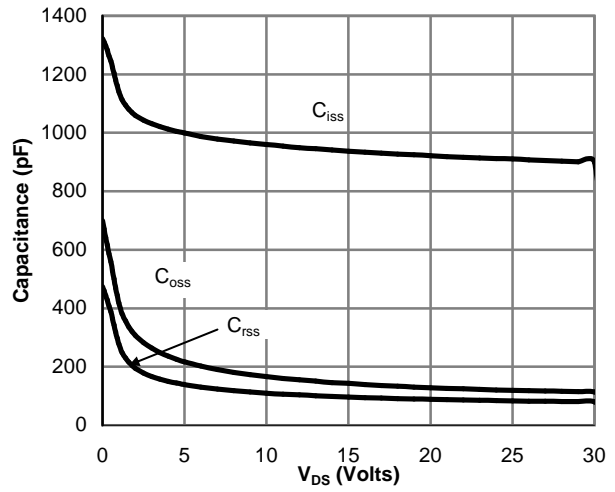


Figure 8: Capacitance Characteristics

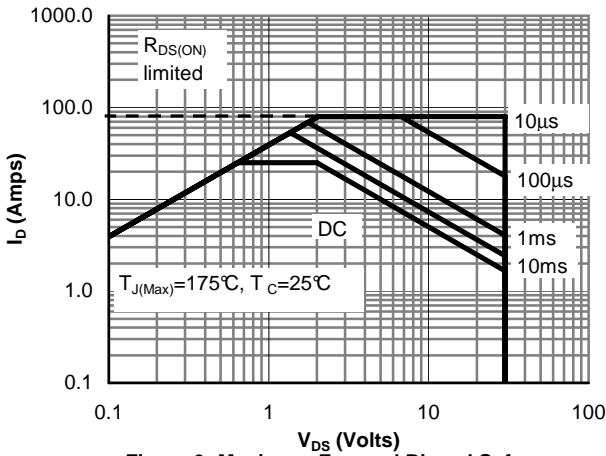


Figure 9: Maximum Forward Biased Safe Operating Area (Note F)

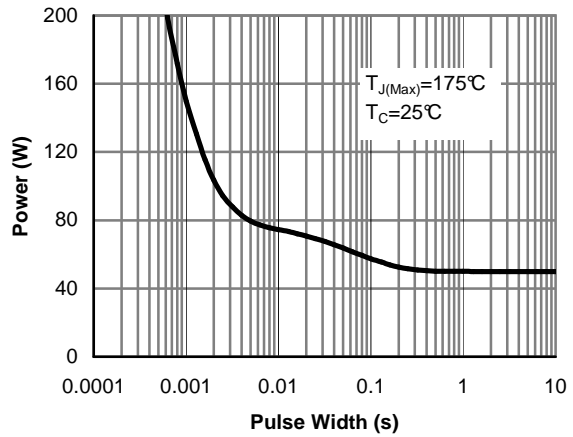


Figure 10: Single Pulse Power Rating Junction-to-Case (Note F)

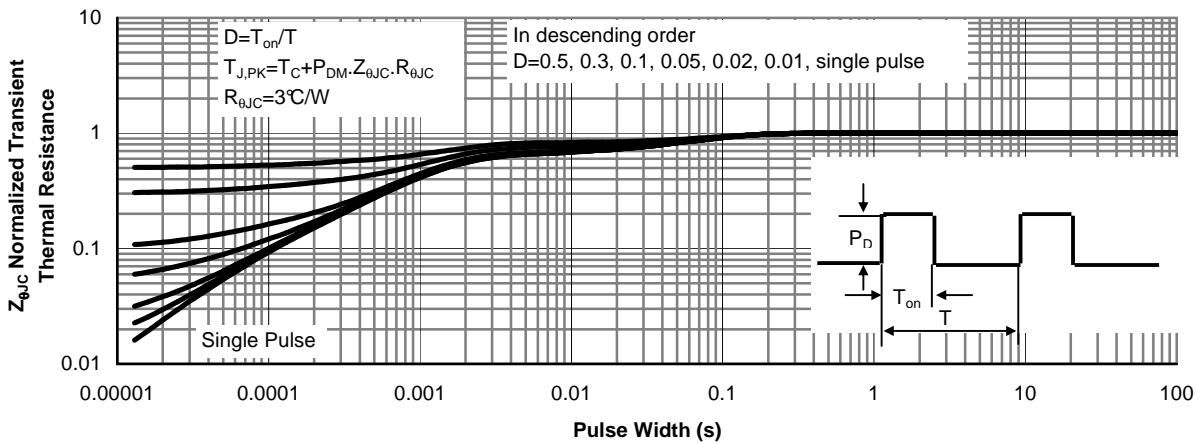
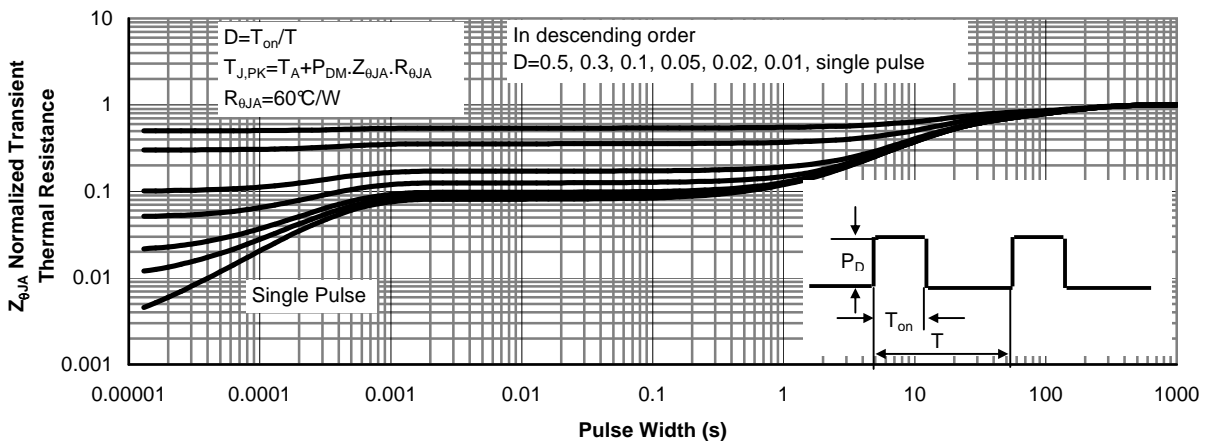
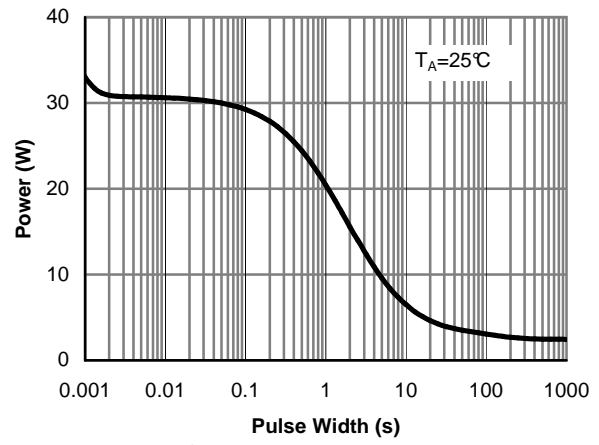
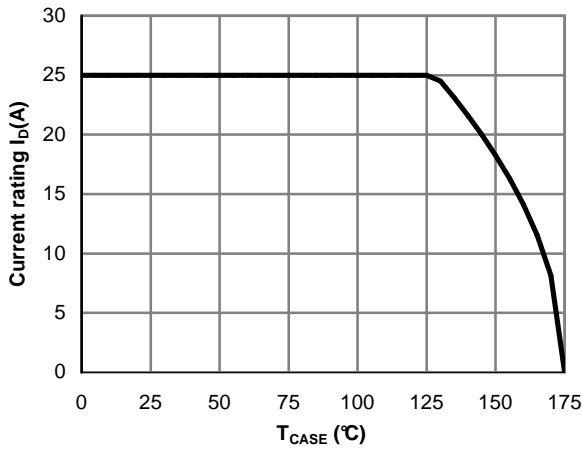
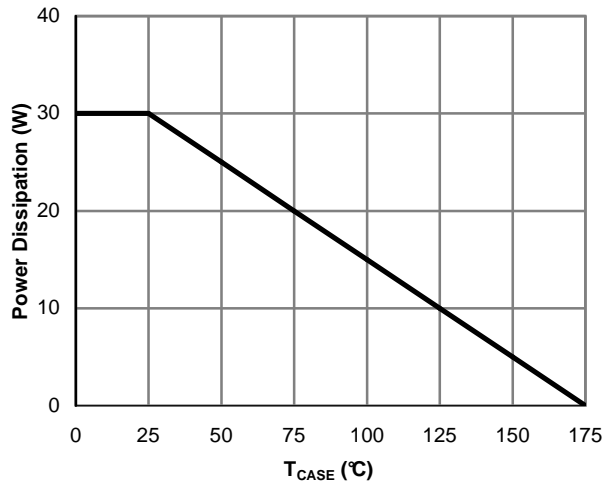
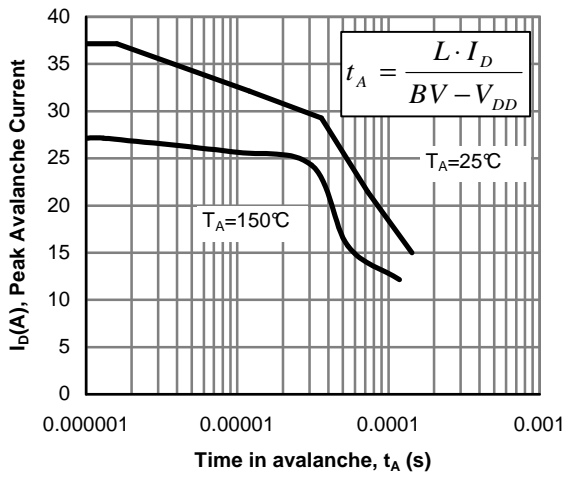
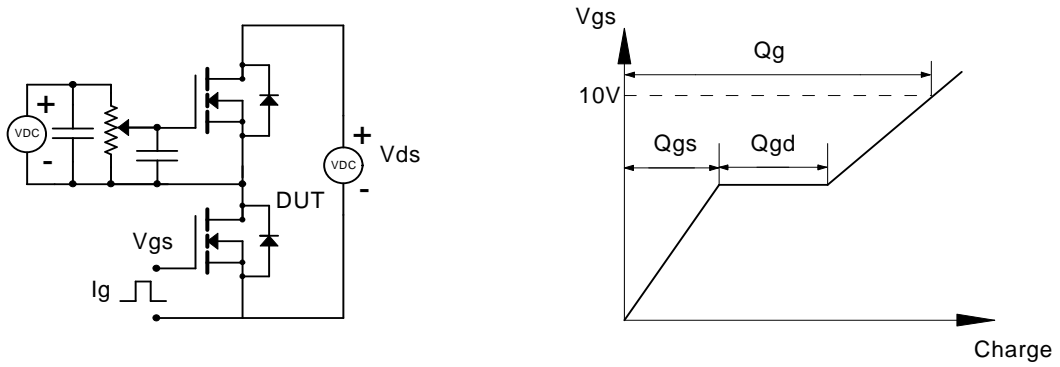


Figure 11: Normalized Maximum Transient Thermal Impedance (Note F)

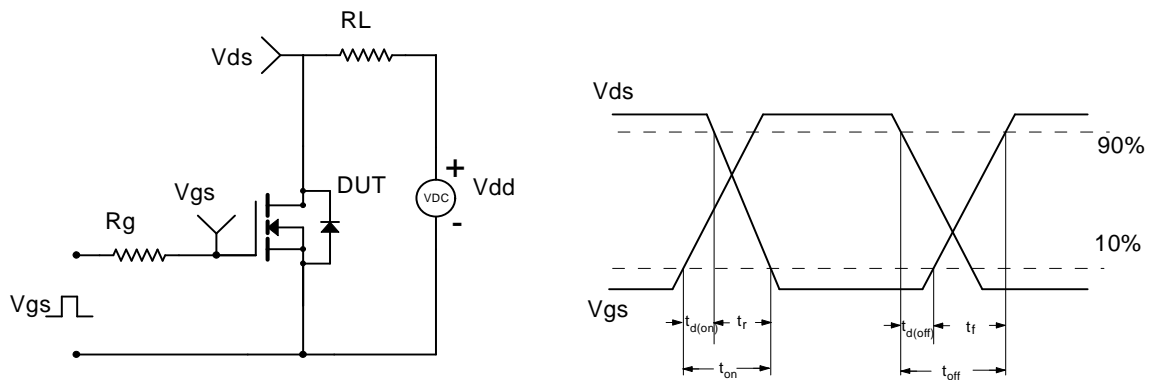
TYPICAL ELECTRICAL AND THERMAL CHARACTERISTICS



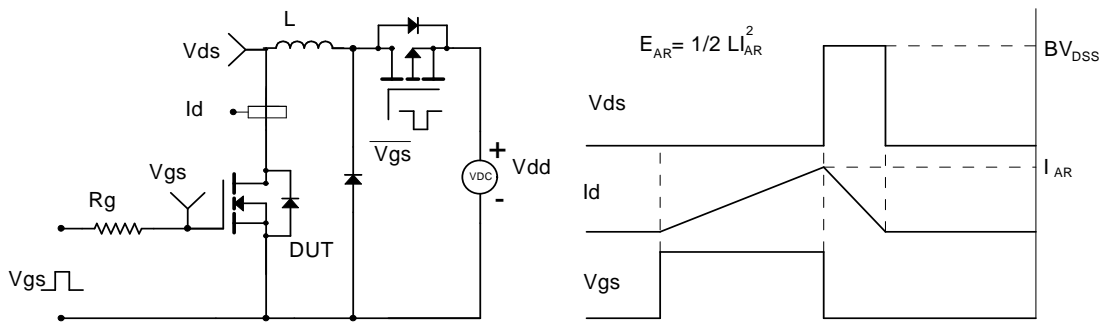
Gate Charge Test Circuit & Waveform



Resistive Switching Test Circuit & Waveforms



Unclamped Inductive Switching (UIS) Test Circuit & Waveforms



Diode Recovery Test Circuit & Waveforms

