

# Low-Drop Voltage Regulator

# TLE 4276

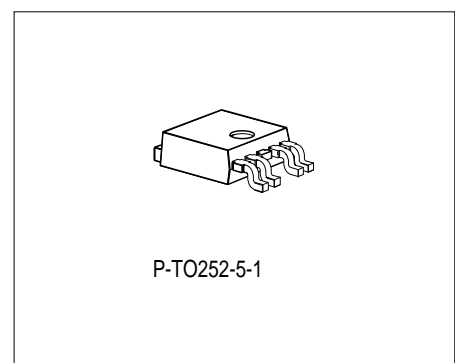
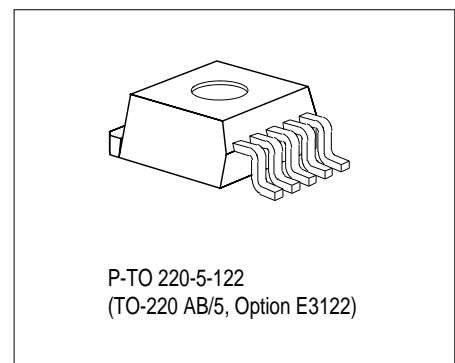
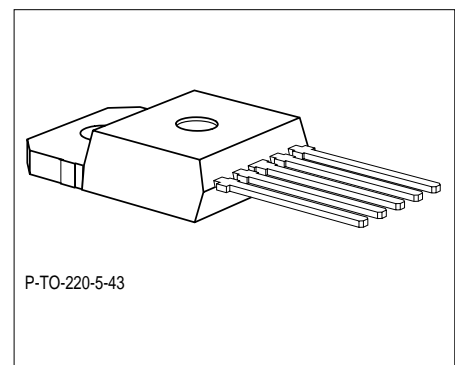
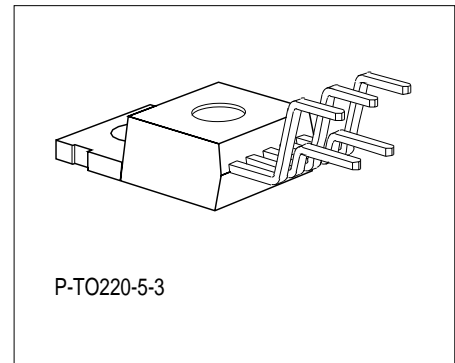
## Features

- 5 V, 8.5 V, 10 V or variable output voltage
- Output voltage tolerance  $\leq \pm 4\%$
- 400 mA current capability
- Low-drop voltage
- Inhibit input
- Very low current consumption
- Short-circuit-proof
- Reverse polarity proof
- Suitable for use in automotive electronics

Type	Ordering Code	Package
TLE 4276 V50	Q67000-A9262	P-TO220-5-3
TLE 4276 V85	Q67000-A9263	P-TO220-5-3
TLE 4276 V10	Q67000-A9264	P-TO220-5-3
TLE 4276 S V50	Q67000-A9267	P-TO220-5-43
TLE 4276 S V85	Q67000-A9269	P-TO220-5-43
TLE 4276 S V10	Q67000-A9271	P-TO220-5-43
TLE 4276 V	Q67000-A9265	P-TO220-5-3
TLE 4276 SV	Q67000-A9273	P-TO220-5-43
TLE 4276 G V50	Q67006-A9266	P-TO220-5-122
TLE 4276 G V85	Q67006-A9268	P-TO220-5-122
TLE 4276 G V10	Q67006-A9270	P-TO220-5-122
TLE 4276 GV	Q67006-A9272	P-TO220-5-122
▼ TLE 4276 D V50	Q67006-A9358	P-TO252-5-1
▼ TLE 4276 DV	Q67006-A9361	P-TO252-5-1

■ SMD = Surface Mounted Device

▼ New type



## Functional Description

The TLE 4276 is a low-drop voltage regulator in a TO220 package. The IC regulates an input voltage up to 40 V to  $V_{Qrated} = 5.0\text{ V (V50)}$ ,  $8.5\text{ V (V85)}$ ,  $10\text{ V (V10)}$  and adjustable voltage (V). The maximum output current is 400 mA. The IC can be switched off via the inhibit input, which causes the current consumption to drop below  $10\text{ }\mu\text{A}$ . The IC is short-circuit-proof and incorporates temperature protection that disables it at over-temperature.

## Dimensioning Information on External Components

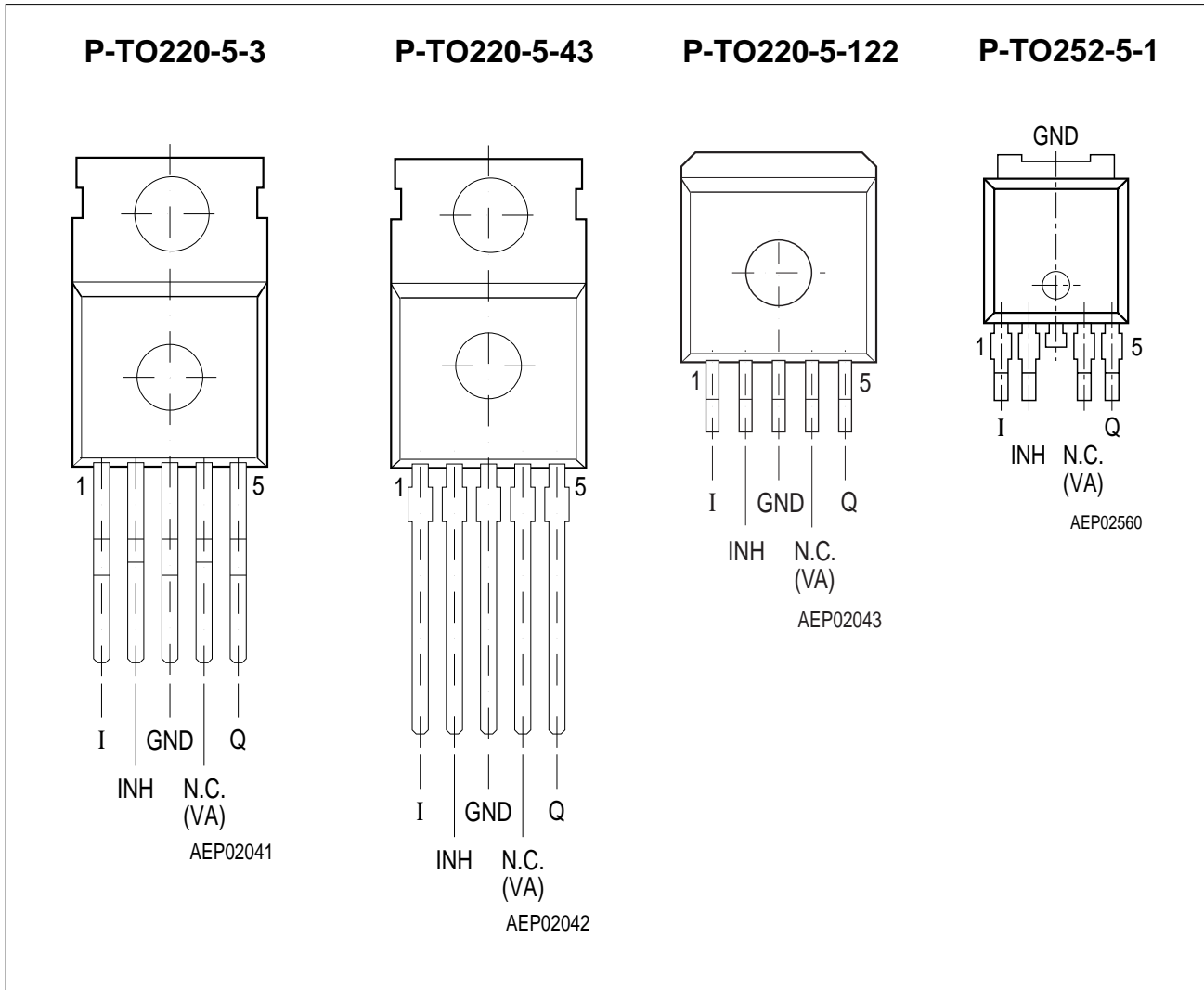
The input capacitor  $C_1$  is necessary for compensating line influences. Using a resistor of approx.  $1\text{ }\Omega$  in series with  $C_1$ , the oscillating of input inductivity and input capacitance can be damped. The output capacitor  $C_Q$  is necessary for the stability of the regulation circuit. Stability is guaranteed at values  $C_Q \geq 22\text{ }\mu\text{F}$  and an ESR of  $\leq 3\text{ }\Omega$  within the operating temperature range.

## Circuit Description

The control amplifier compares a reference voltage to a voltage that is proportional to the output voltage and drives the base of the series transistor via a buffer. Saturation control as a function of the load current prevents any oversaturation of the power element. The IC also incorporates a number of internal circuits for protection against:

- Overload
- Overtemperature
- Reverse polarity

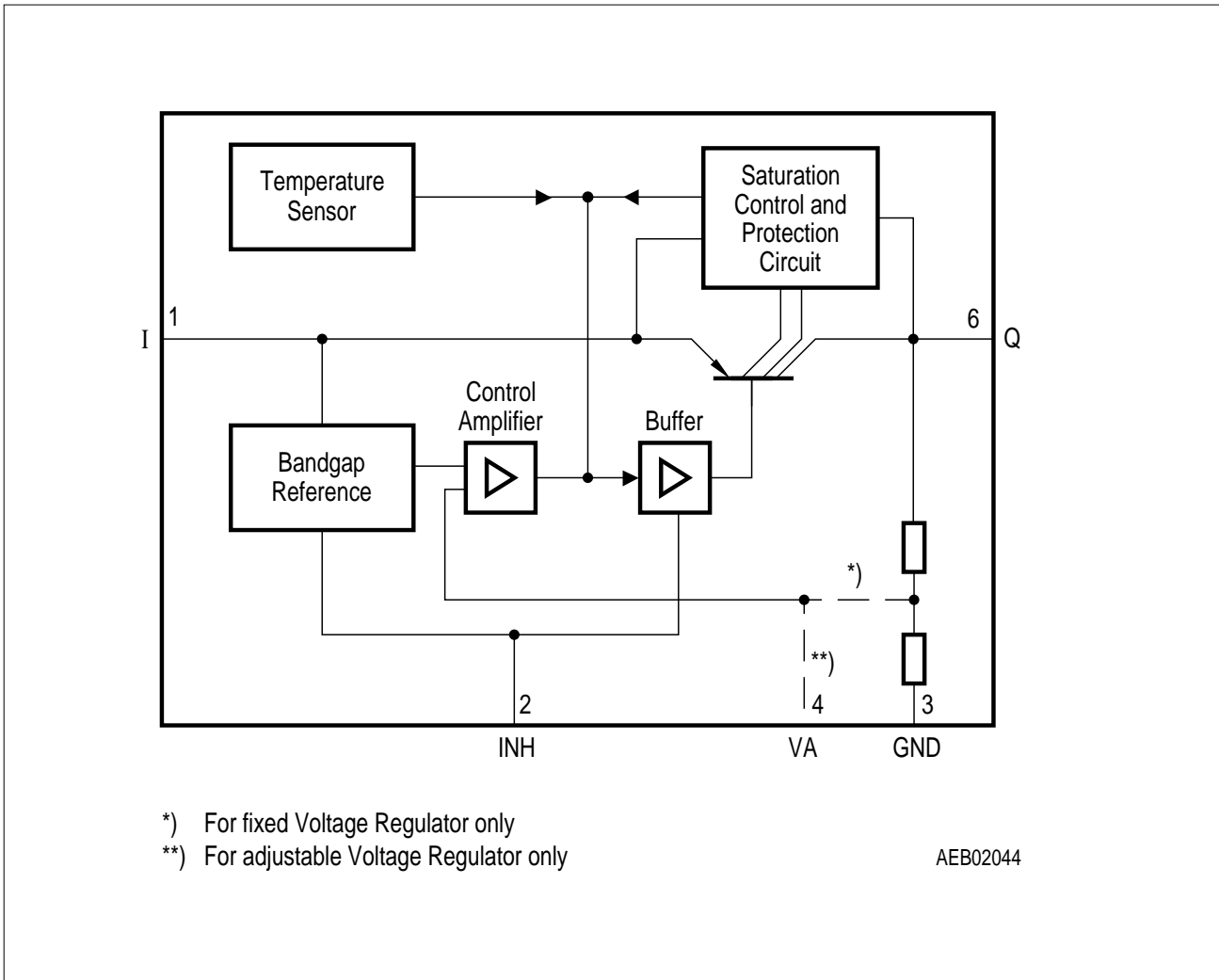
**Pin Configuration**  
(top view)



**Figure 1**

**Pin Definitions and Functions**

Pin No.	Symbol	Function
1	I	<b>Input</b> ; block to ground directly at the IC with a ceramic capacitor.
2	INH	<b>Inhibit</b> ; low-active input
3	GND	<b>Ground</b>
4	N.C. VA	<b>Not connected</b> for V50, V85, V10 <b>Voltage Adjust Input</b> ; only for adjustable output from external voltage divider.
5	Q	<b>Output</b> ; block to ground with a $\geq 22 \mu\text{F}$ capacitor.



**Figure 2**  
**Block Diagram**

**Absolute Maximum Ratings**
 $T_j = -40$  to  $150$  °C

Parameter	Symbol	Limit Values		Unit	Test Condition
		min.	max.		

**Voltage Regulator**
**Input**

Voltage	$V_I$	- 42	45	V	-
Current	$I_I$	-	-	-	Internally limited

**Inhibit**

Voltage	$V_{INH}$	- 42	45	V	-
---------	-----------	------	----	---	---

**Voltage Adjust Input**

Voltage	$V_{VA}$	- 0.3	10	V	-
---------	----------	-------	----	---	---

**Output**

Voltage	$V_Q$	- 1.0	40	V	-
Current	$I_Q$	-	-	-	Internally limited

**Ground**

Current	$I_{GND}$	-	100	mA	-
---------	-----------	---	-----	----	---

**Temperature**

Junction temperature	$T_j$	-	150	°C	-
Storage temperature	$T_{stg}$	- 50	150	°C	-

*Note: Maximum ratings are absolute ratings; exceeding any one of these values may cause irreversible damage to the integrated circuit.*

**Operating Range**

Parameter	Symbol	Limit Values		Unit	Remarks
		min.	max.		
Input voltage	$V_I$	$V_Q + 0.5$	40	V	Fixed voltage devices V50, V85, V10
Input voltage	$V_I$	$V_Q + 0.5$	40	V	Variable device V
Input voltage	$V_I$	4.5 V	40	V	Variable device V, $V_Q < 4$ V
Junction temperature	$T_j$	- 40	150	°C	-

**Thermal Resistance**

Junction ambient	$R_{thja}$	-	65	K/W	TO220
Junction ambient	$R_{thja}$	-	70	K/W	TO252 <sup>1)</sup> , TO263
Junction case	$R_{thjc}$	-	4	K/W	-

<sup>1)</sup> Soldered in, minimal footprint

**Characteristics**
 $V_I = 13.5 \text{ V}; -40 \text{ }^\circ\text{C} < T_j < 150 \text{ }^\circ\text{C}$  (unless otherwise specified)

Parameter	Symbol	Limit Values			Unit	Measuring Condition	Measuring Circuit
		min.	typ.	max.			
Output voltage	$V_Q$	4.8	5	5.2	V	V50-Version $5 \text{ mA} < I_Q < 400 \text{ mA}$ $6 \text{ V} < V_I < 40 \text{ V}$	1
Output voltage	$V_Q$	8.16	8.5	8.84	V	V85-Version $5 \text{ mA} < I_Q < 400 \text{ mA}$ $9.5 \text{ V} < V_I < 40 \text{ V}$	1
Output voltage	$V_Q$	9.6	10	10.4	V	V10-Version $5 \text{ mA} < I_Q < 400 \text{ mA}$ $11 \text{ V} < V_I < 40 \text{ V}$	1
Output voltage tolerance	$\Delta V_Q$	-4	-	4	%	V-Version $V_{V.A.} = 2.5 \text{ V}$ $R_2 < 50 \text{ k}\Omega$ $V_Q + 1 \text{ V} \leq V_I \leq 40 \text{ V}$ $V_I > 4.5 \text{ V}$ $5 \text{ mA} \leq I_Q \leq 400 \text{ mA}$	1
Output current limitation <sup>1)</sup>	$I_Q$	400	600	1100	mA	-	1
Current consumption; $I_q = I_I - I_Q$	$I_q$	-	0	10	$\mu\text{A}$	$V_{INH} = 0 \text{ V};$ $T_j \leq 100 \text{ }^\circ\text{C}$	1
Current consumption; $I_q = I_I - I_Q$	$I_q$	-	100	220	$\mu\text{A}$	$I_Q = 1 \text{ mA}$	1
Current consumption; $I_q = I_I - I_Q$	$I_q$	-	5	10	mA	$I_Q = 250 \text{ mA}$	1
	$I_q$	-	15	25	mA	$I_Q = 400 \text{ mA}$	1
Drop voltage	$V_{DR}$	-	250	500	mV	V50, V85, V10 $I_Q = 250 \text{ mA}$ $V_{DR} = V_I - V_Q$	1
Drop voltage <sup>1)</sup>	$V_{DR}$	-	250	500	mV	variable devices $I_Q = 250 \text{ mA}$ $V_I > 4.5 \text{ V}$ $V_{DR} = V_I - V_Q$	1

<sup>1)</sup> Measured when the output voltage  $V_Q$  has dropped 100 mV from the nominal value obtained at  $V_I = 13.5 \text{ V}$ .

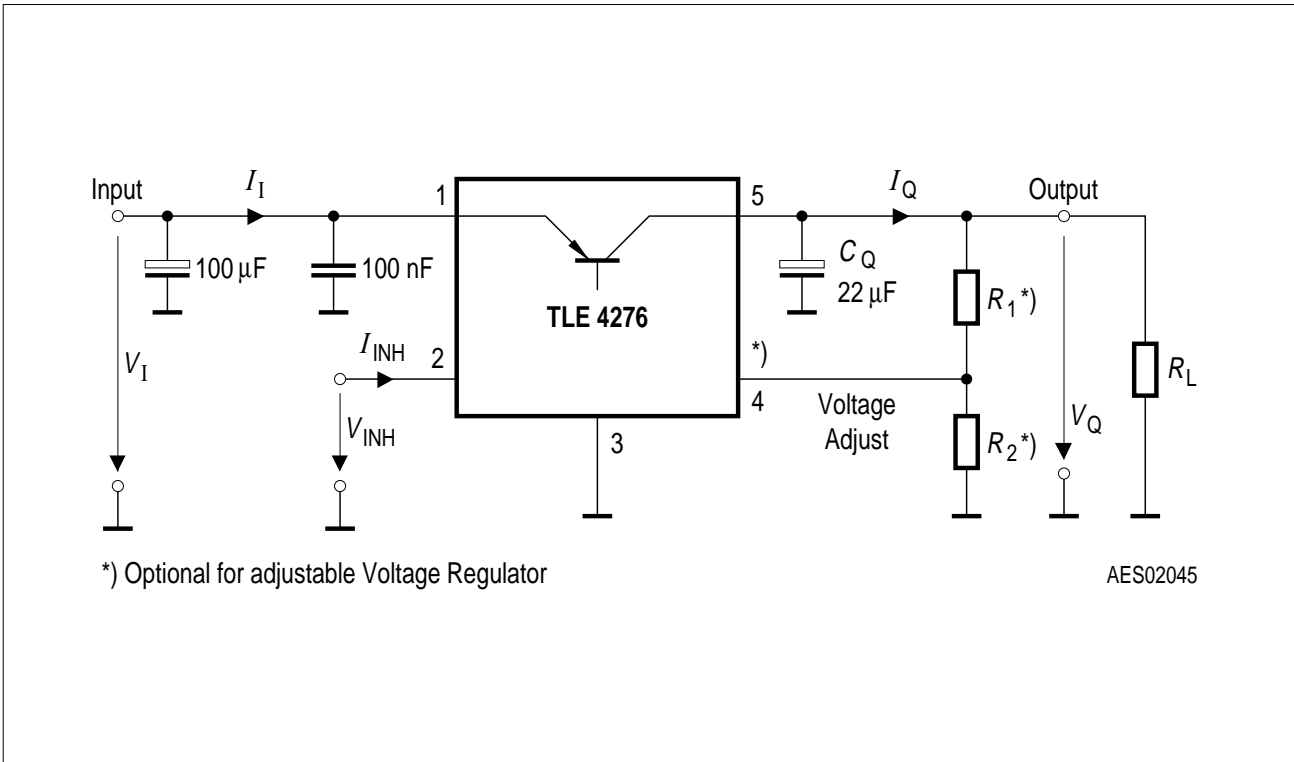
**Characteristics (cont'd)**
 $V_i = 13.5 \text{ V}; -40 \text{ }^\circ\text{C} < T_j < 150 \text{ }^\circ\text{C}$  (unless otherwise specified)

Parameter	Symbol	Limit Values			Unit	Measuring Condition	Measuring Circuit
		min.	typ.	max.			
Load regulation	$\Delta V_Q$	–	5	35	mV	$I_Q = 5 \text{ mA}$ to 400 mA	1
Line regulation	$\Delta V_Q$	–	10	25	mV	$\Delta V_i = 12 \text{ V}$ to 32V $I_Q = 5 \text{ mA}$	1
Power supply ripple rejection	$PSRR$	–	60	–	dB	$f_r = 100 \text{ Hz};$ $V_r = 0.5 V_{SS}$	1
Temperature output voltage drift	$\frac{dV_Q}{dT}$	–	0.5	–	–	–	mV/K

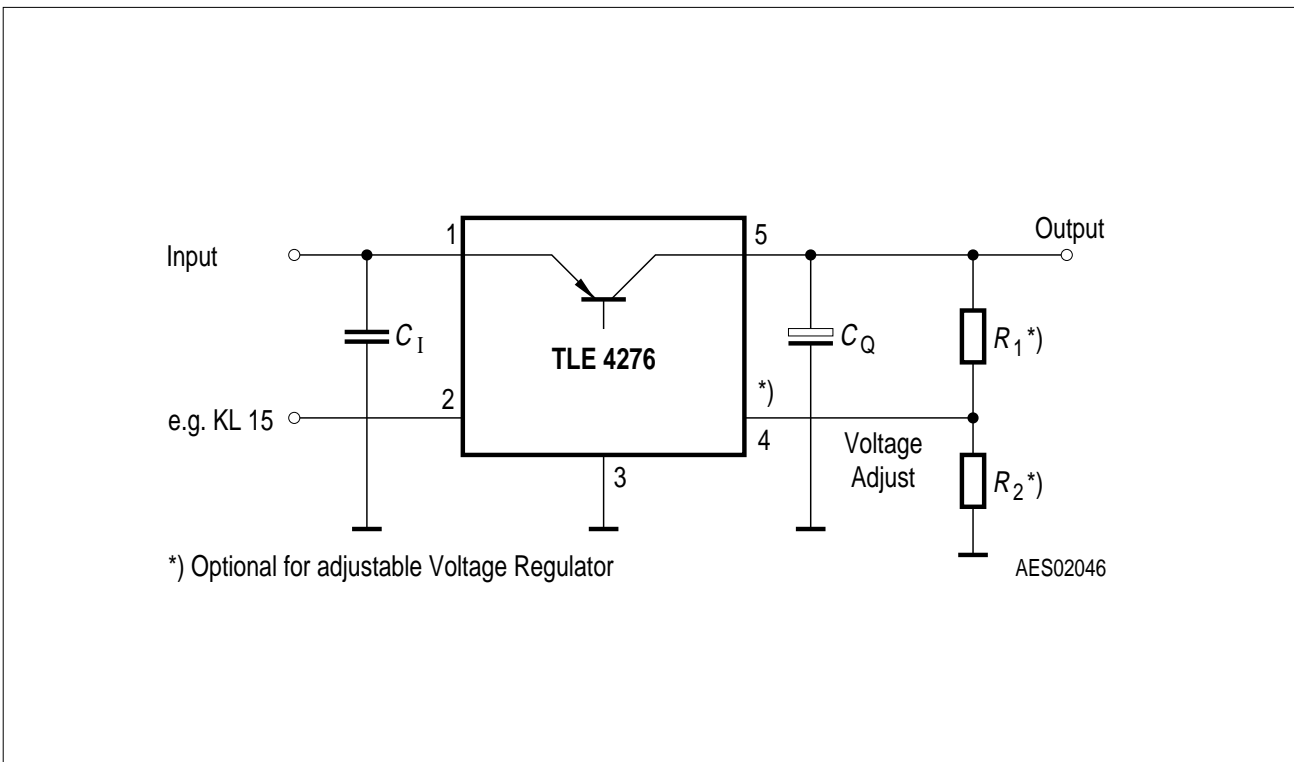
**Inhibit**

Inhibit on voltage	$V_{INH}$	–	2	3.5	V	$V_Q \geq 4.9 \text{ V}$	1
Inhibit off voltage	$V_{INH}$	0.5	1.7	–	V	$V_Q \leq 0.1 \text{ V}$	1
Input current	$I_{INH}$	5	10	20	$\mu\text{A}$	$V_{INH} = 5 \text{ V}$	1





**Figure 3**  
**Measuring Circuit**

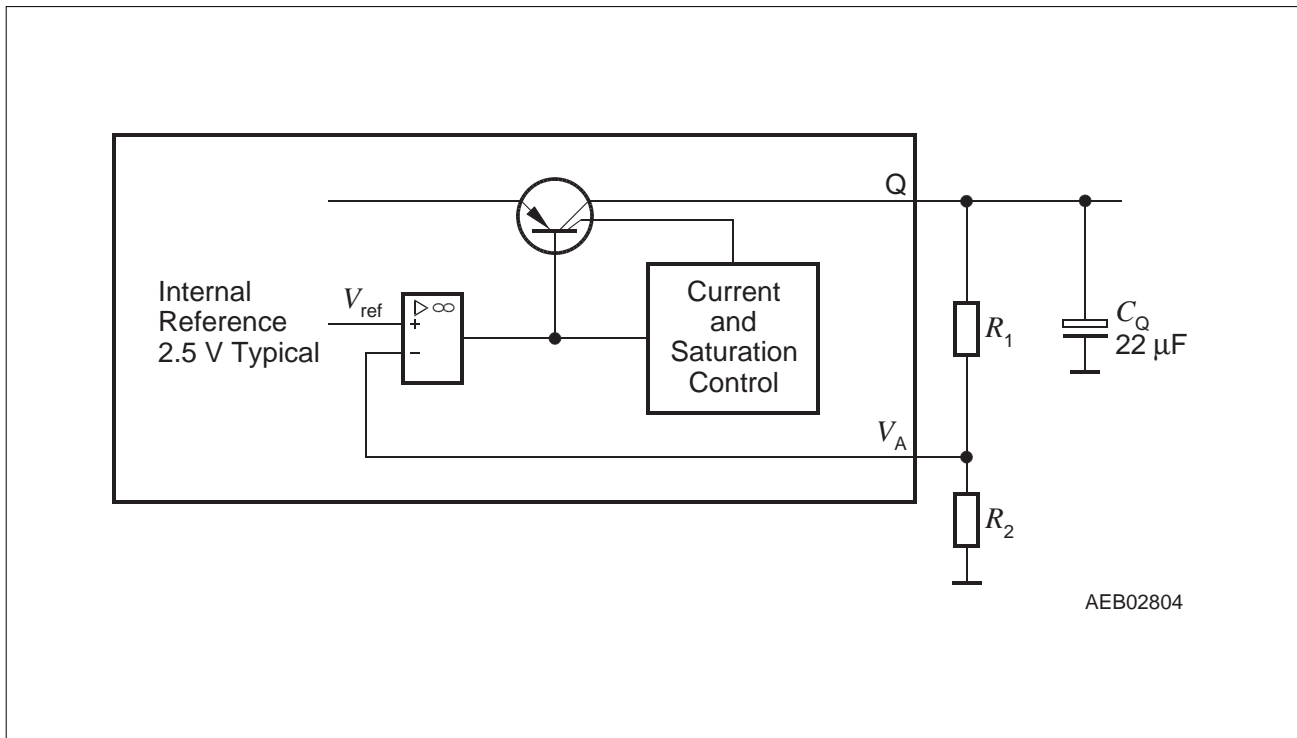


**Figure 4**  
**Application Circuit**

### Application Information for Variable Output Regulator TLE 4276 V, SV, DV, GV

The output voltage of the TLE 4276 V can be adjusted between 2.5 V and 20 V by an output voltage divider, closing the control loop to the voltage adjust pin VA.

The voltage at pin VA is compared to the internal reference of typical 2.5 V in an error amplifier. It controls the output voltage.



**Figure 5**  
**Application Detail External Components at Output for Variable Voltage Regulator**

The output voltage is calculated according to **Equation 1**:

$$V_Q = (R_1 + R_2)/R_2 \times V_{ref}, \text{ neglecting } I_{VA} \quad (\text{equ. 1})$$

$V_{ref}$  is typically 2.5 V.

To avoid errors caused by leakage current  $I_{VA}$ , we recommend to choose the resistor value  $R_2$  according to **Equation 2**:

$$R_2 < 50 \text{ k}\Omega \quad (\text{equ. 2})$$

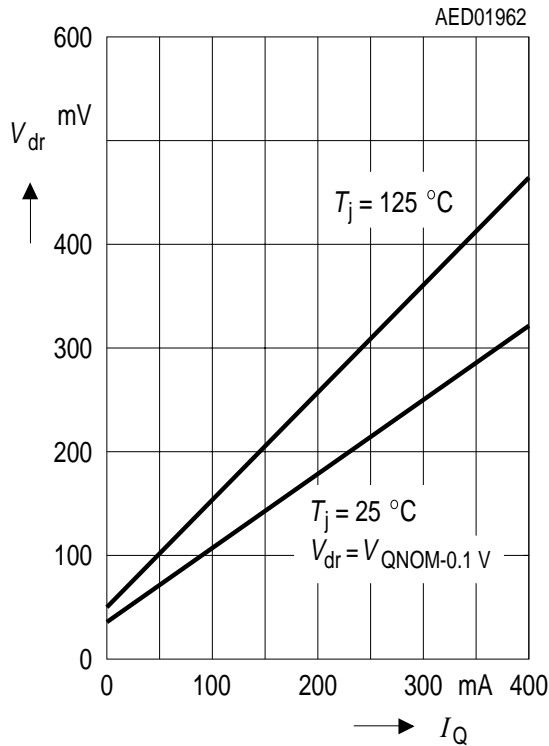
For a 2.5 V output voltage the output pin Q is directly connected to the adjust pin VA.

The accuracy of the resistors  $R_1$  and  $R_2$  add an additional error to the output voltage tolerance.

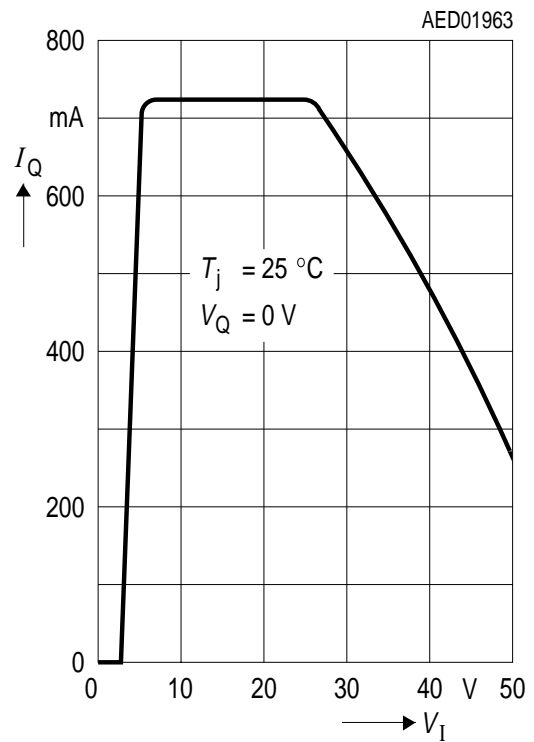
The operation range of the variable TLE 4276 V is  $V_Q + 0.5$  to 40 V. For internal biasing a minimum input voltage of 4.3 V is required. For output voltages below 4 V the voltage drop is  $4.3 \text{ V} - V_Q$

**Typical Performance Characteristics (V50, V85 and V10):**

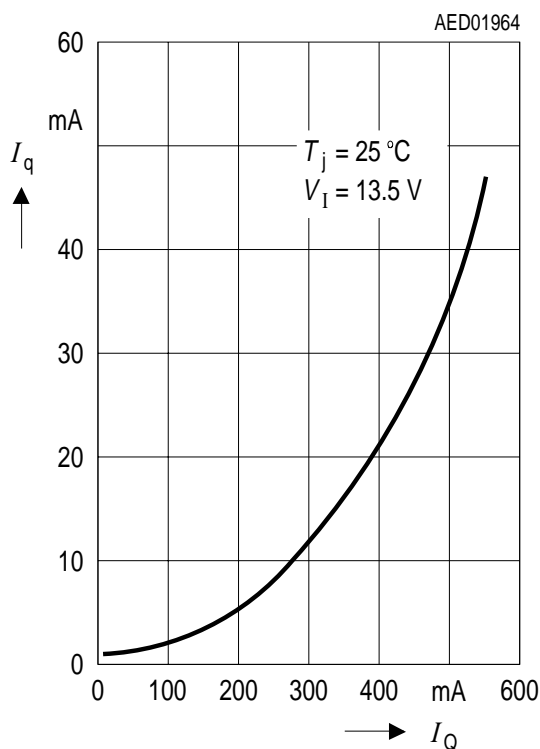
**Voltage  $V_{DR}$  versus Output Current  $I_Q$**



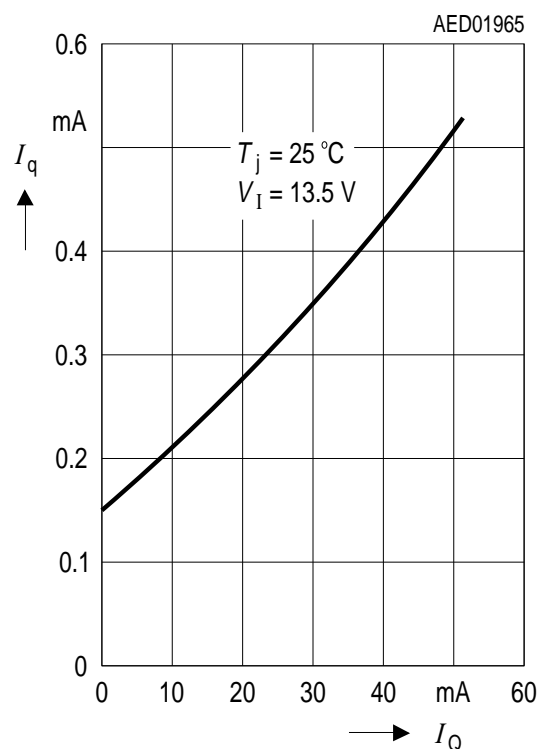
**Max. Output Current  $I_Q$  versus Input Voltage  $V_I$**



**Current Consumption  $I_q$  versus Output Current  $I_Q$  (high load)**

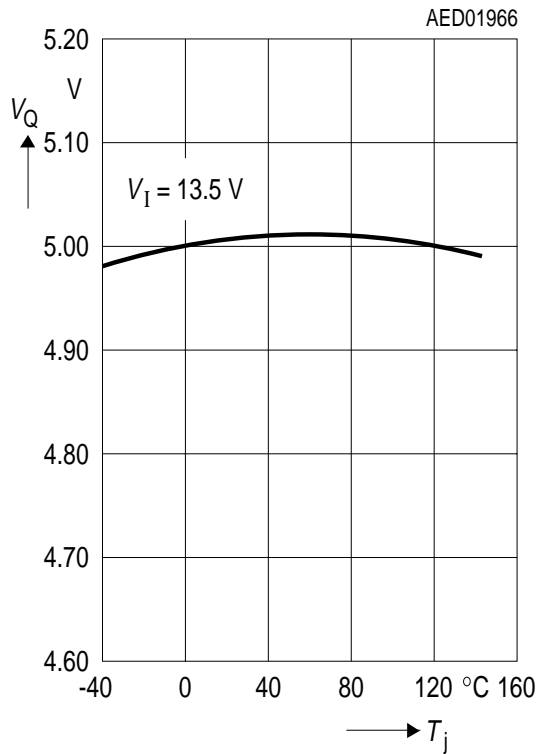


**Current Consumption  $I_q$  versus Output Current  $I_Q$  (low load)**

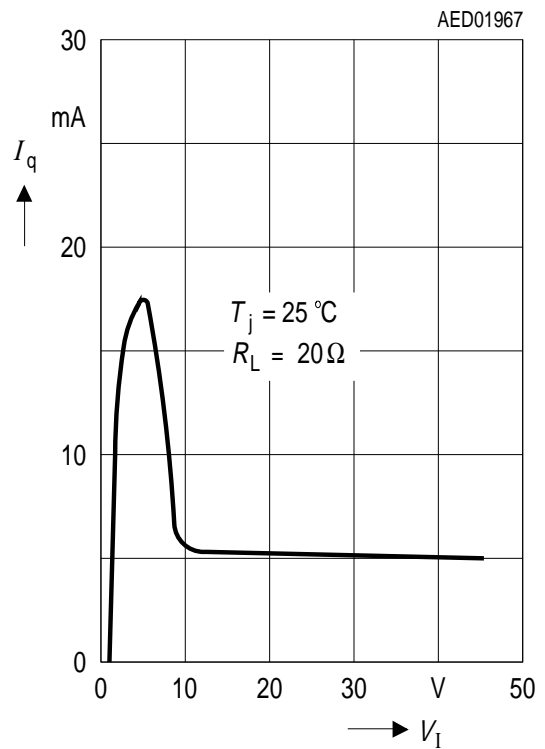


**Typical Performance Characteristics for V50:**

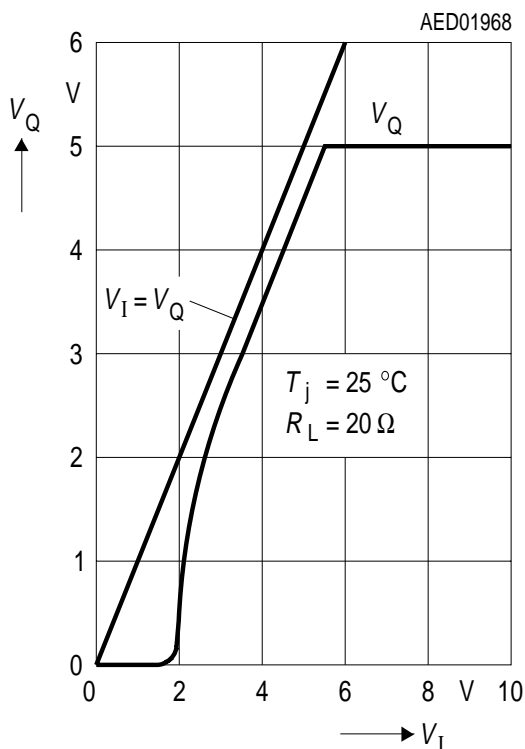
**Output Voltage  $V_Q$  versus Temperature  $T_j$**



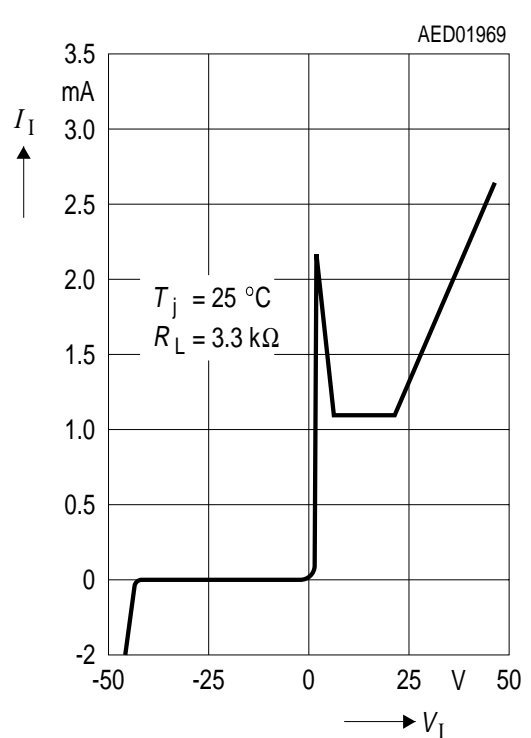
**Current Consumption  $I_q$  versus Input Voltage  $V_I$**



**Low Voltage Behavior**

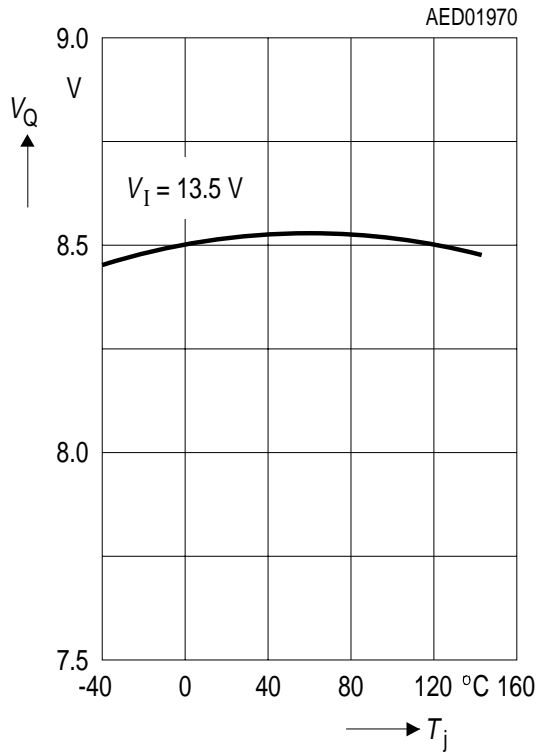


**High Voltage Behavior**

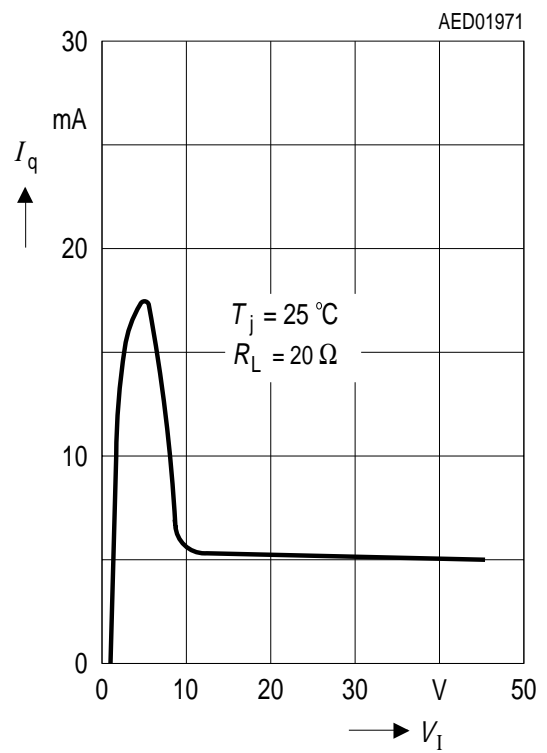


**Typical Performance Characteristics for V85:**

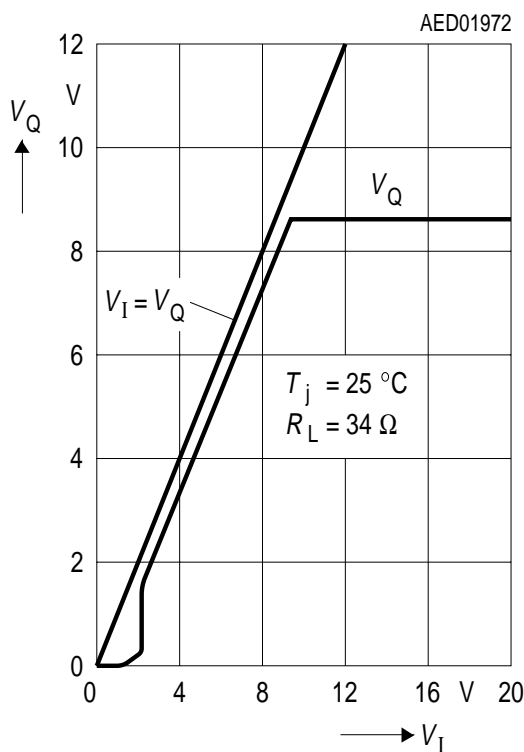
**Output Voltage  $V_Q$  versus Temperature  $T_j$**



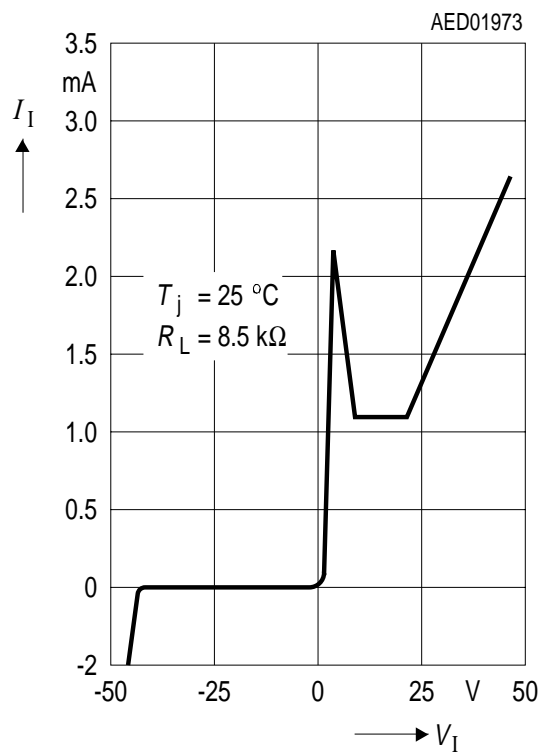
**Current Consumption  $I_q$  versus Input Voltage  $V_I$**



**Low Voltage Behavior**

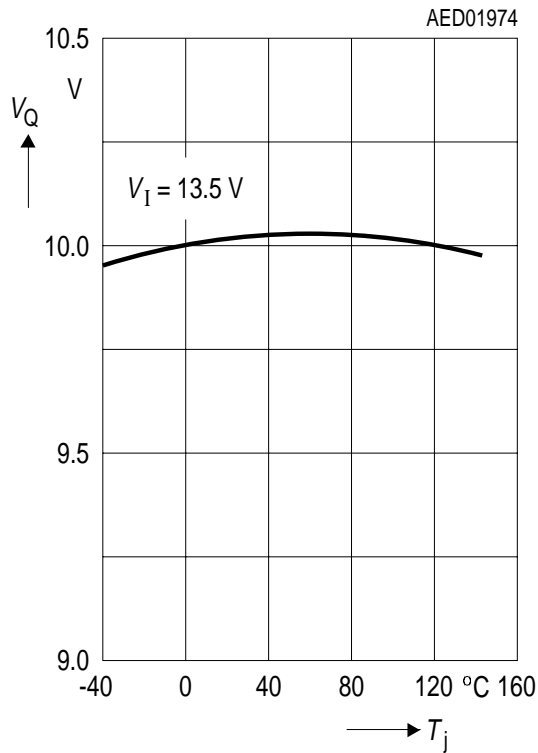


**High Voltage Behavior**

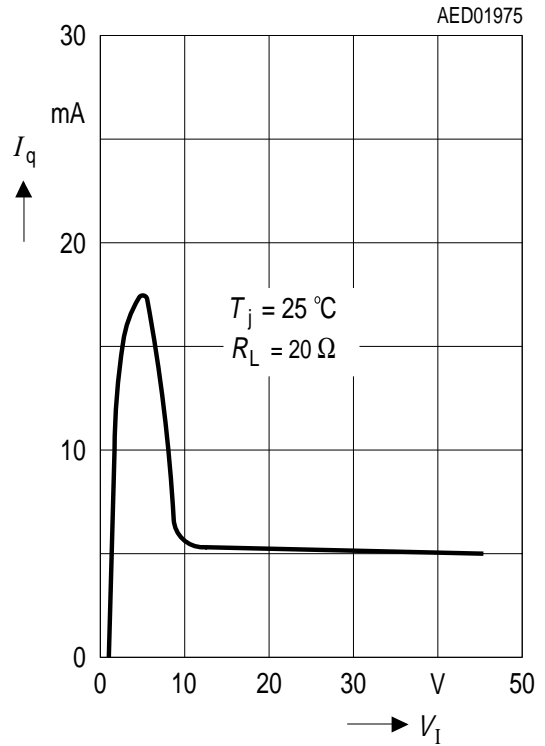


**Typical Performance Characteristics for V10:**

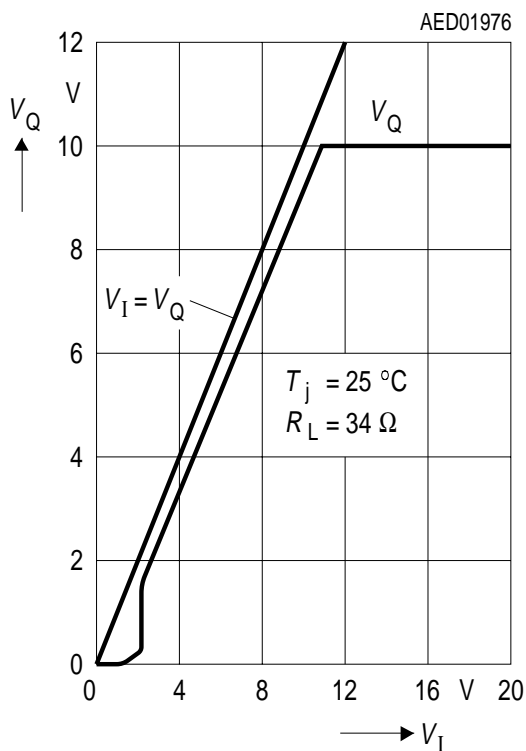
**Output Voltage  $V_Q$  versus Temperature  $T_j$**



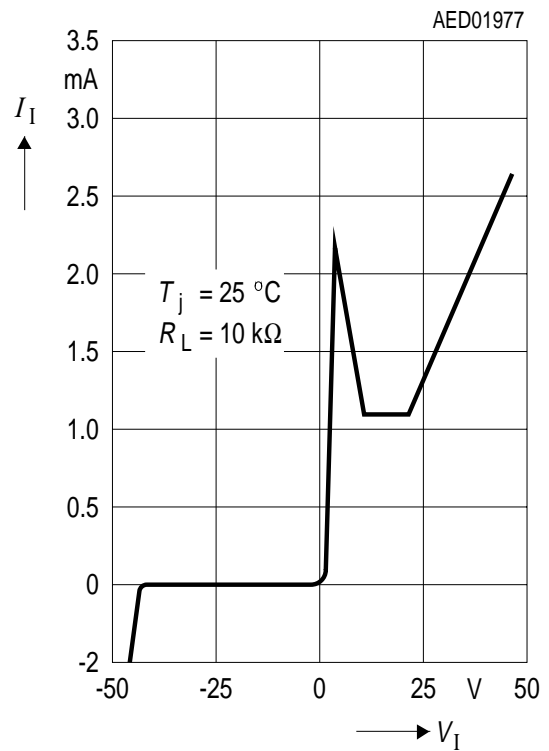
**Current Consumption  $I_q$  versus Input Voltage  $V_I$**



**Low Voltage Behavior**

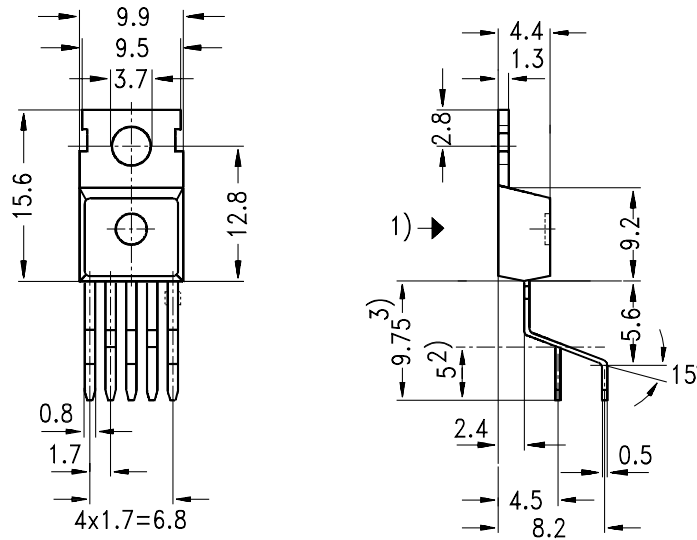


**High Voltage Behavior**



**Package Outlines**

**P-TO220-5-3**  
(Plastic Transistor Single Outline)



GPT05165

- 1) shear and punch direction no burrs this surface
- 2) min. length by finning
- 3) max. 11 mm allowable by finning

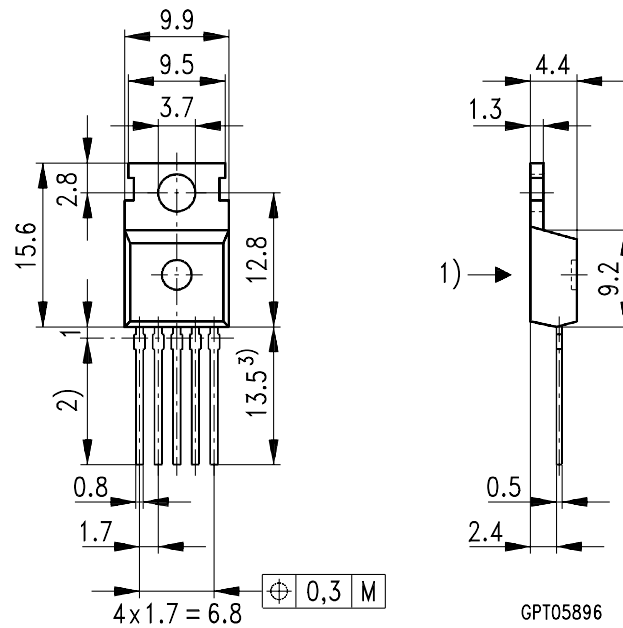
**Sorts of Packing**

Package outlines for tubes, trays etc. are contained in our Data Book "Package Information"

Dimensions in mm

**P-TO220-5-43**

(Plastic Transistor Single Outline)



- 1) Punch direction, burr max. 0.04
- 2) Dip tinning
- 3) Max. 14.5 by dip tinning press burr  
max. 0.05 radii not dimensioned max. 0.2

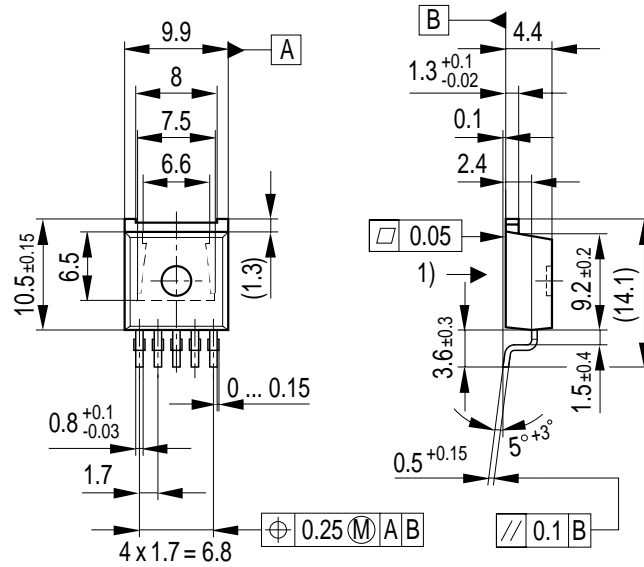
**Sorts of Packing**

Package outlines for tubes, trays etc. are contained in our Data Book "Package Information"

Dimensions in mm



**P-TO220-5-122**  
(Plastic Transistor Single Outline)



- 1) Shear and punch direction no burrs this surface
- Back side, heatsink contour
- All metal surfaces tin plated, except area of cut

GPT05259

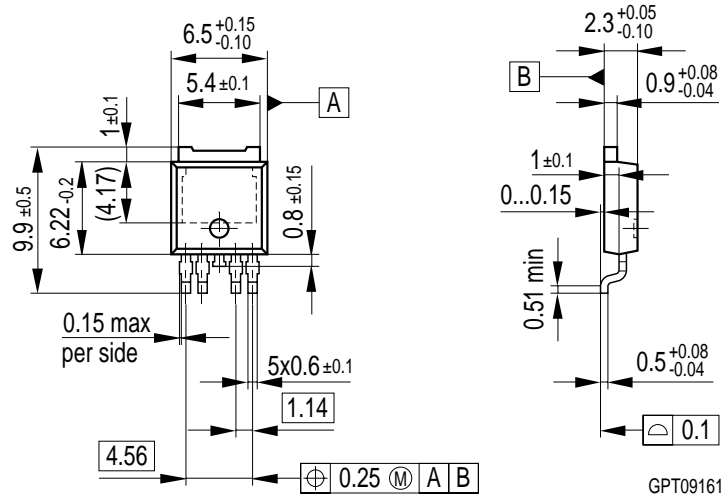
**Sorts of Packing**

Package outlines for tubes, trays etc. are contained in our Data Book "Package Information".

**SMD = Surface Mounted Device**

Dimensions in mm

**P-TO252-5-1**  
(Plastic Transistor Single Outline)



**Sorts of Packing**

Package outlines for tubes, trays etc. are contained in our Data Book "Package Information".

SMD = Surface Mounted Device

Dimensions in mm

**Edition 2000-02-14**

**Published by Infineon Technologies AG,  
St.-Martin-Strasse 53,  
D-81541 München**

**© Infineon Technologies AG 2000.  
All Rights Reserved.**

#### **Attention please!**

The information herein is given to describe certain components and shall not be considered as warranted characteristics.

Terms of delivery and rights to technical change reserved.

We hereby disclaim any and all warranties, including but not limited to warranties of non-infringement, regarding circuits, descriptions and charts stated herein.

Infineon Technologies is an approved CECC manufacturer.

#### **Information**

For further information on technology, delivery terms and conditions and prices please contact your nearest Infineon Technologies Office in Germany or our Infineon Technologies Representatives worldwide (see address list).

#### **Warnings**

Due to technical requirements components may contain dangerous substances. For information on the types in question please contact your nearest Infineon Technologies Office.

Infineon Technologies Components may only be used in life-support devices or systems with the express written approval of Infineon Technologies, if a failure of such components can reasonably be expected to cause the failure of that life-support device or system, or to affect the safety or effectiveness of that device or system. Life support devices or systems are intended to be implanted in the human body, or to support and/or maintain and sustain and/or protect human life. If they fail, it is reasonable to assume that the health of the user or other persons may be endangered.

This datasheet has been download from:

[www.datasheetcatalog.com](http://www.datasheetcatalog.com)

Datasheets for electronics components.