



Infrared Remote Control Transmitter IC

PT2266

DESCRIPTION

PTXXX is a remote control transmitter utilizing CMOS Technology specially designed for use on infrared applications. It has 64 functions and a total of 76 commands can be transmitted. House in 24 pins DIP package, PT2266 has 2 address bits. PT2266 is functionally compatible with M50462AP.

FEATURES

- High Performance CMOS Technology
- Low Power Consumption
 - At Stand-by Mode, $V_{cc} = 3V \dots\dots 3 \mu W$ (max.)
 - At Normal Operation, $V_{cc} = 3V \dots 0.6 mW$ (max.)
- Least External Components
- Up to 76 Instructions
- Double Key Operation is possible

APPLICATIONS

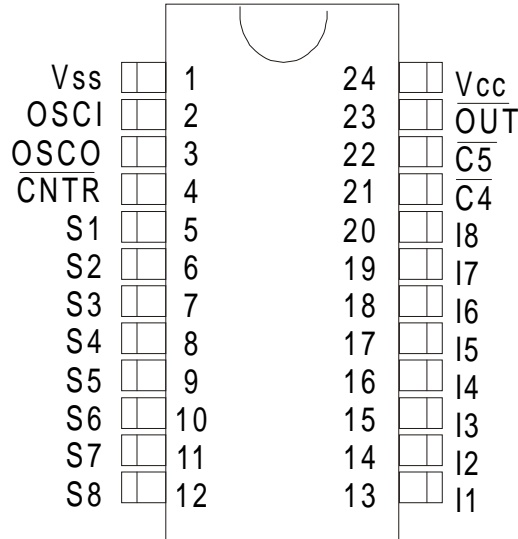
- Television (TV) Remote Control Transmitter
- Video Cassette Recorder (VCR) Remote Control Transmitter



Infrared Remote Control Transmitter IC

PT2266

PIN CONFIGURATION



PT2266

ORDER INFORMATION

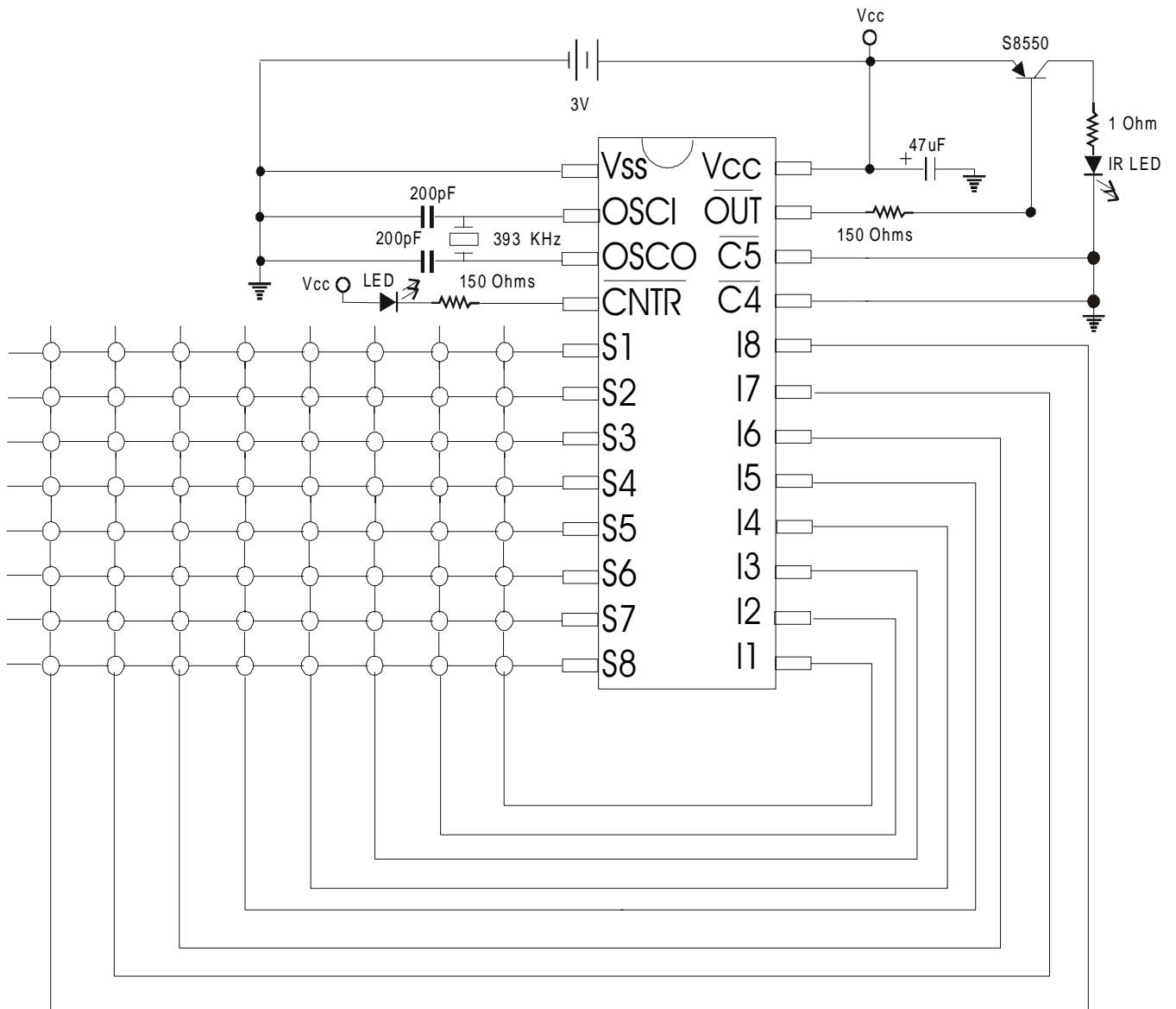
Valid Part Number	Package Type
PT2266	24 Pins, DIP Package



Infrared Remote Control Transmitter IC

PT2266

APPLICATION CIRCUIT



This datasheet has been download from:

www.datasheetcatalog.com

Datasheets for electronics components.