

Memory Programming Specification

This document includes the programming specifications for the following devices:

- PIC16F57

1.0 PROGRAMMING THE PIC16F57

The PIC16F57 is programmed using a serial method. The Serial mode will allow the PIC16F57 to be programmed while in the user's system. This allows for increased design flexibility. This programming specification applies to PIC16F57 devices in all packages.

1.1 Hardware Requirements

The PIC16F57 requires one power supply for VDD (5.0V) and one for VPP (12V).

1.2 Program/Verify Mode

The Program/Verify mode for the PIC16F57 allows programming of user program memory, special locations used for ID, and the Configuration Word.

Pin Diagrams

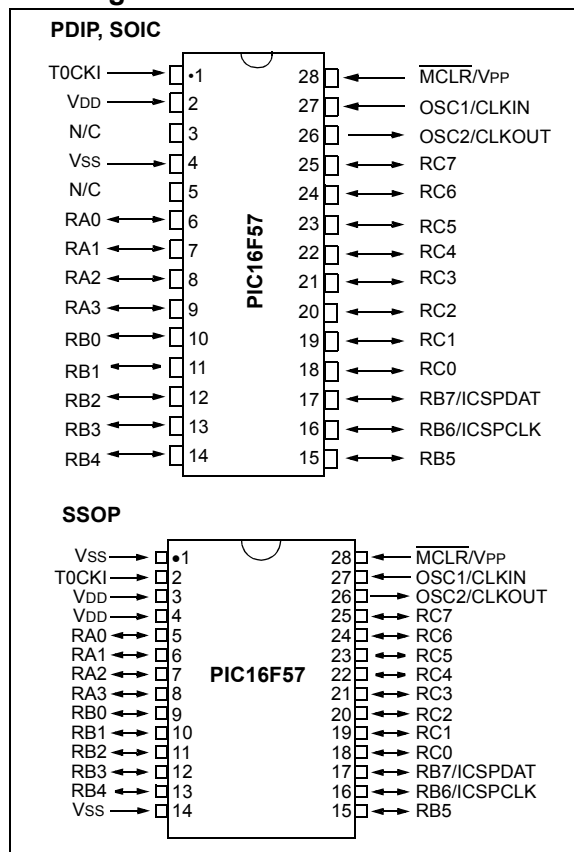


TABLE 1-1: PIN DESCRIPTIONS (DURING PROGRAMMING): PIC16F57

Pin Name	During Programming		
	Function	Pin Type	Pin Description
RB6	ICSPCLK	I	Clock input – Schmitt Trigger input
RB7	ICSPDAT	I/O	Data input/output – Schmitt Trigger input
MCLR/VPP	Program/Verify mode	P ⁽¹⁾	Program Mode Select
VDD	VDD	P	Power Supply
VSS	VSS	P	Ground

Legend: I = Input, O = Output, P = Power

Note 1: In the PIC16F57, the programming high voltage is internally generated. To activate the Program/Verify mode, high voltage of IHH current capability (see Table 5-1) needs to be applied to MCLR input.

PIC16F57

2.0 PROGRAM MODE ENTRY

2.1 User Program Memory Map

The user memory space extends from 0x000 to 0x7FF. In Program/Verify mode, the program memory space extends from 0x000 to 0xFFF, with the first half (0x000-0x7FF) being user program memory and the second half (0x800-0xFFF) being configuration memory. The PC will increment from 0x000 to 0x7FF, then to 0x800 (not to 0x000).

In the configuration memory space, 0x800-0x83F are physically implemented. However, only locations 0x800 through 0x803 are available. Other locations are reserved.

2.2 User ID Locations

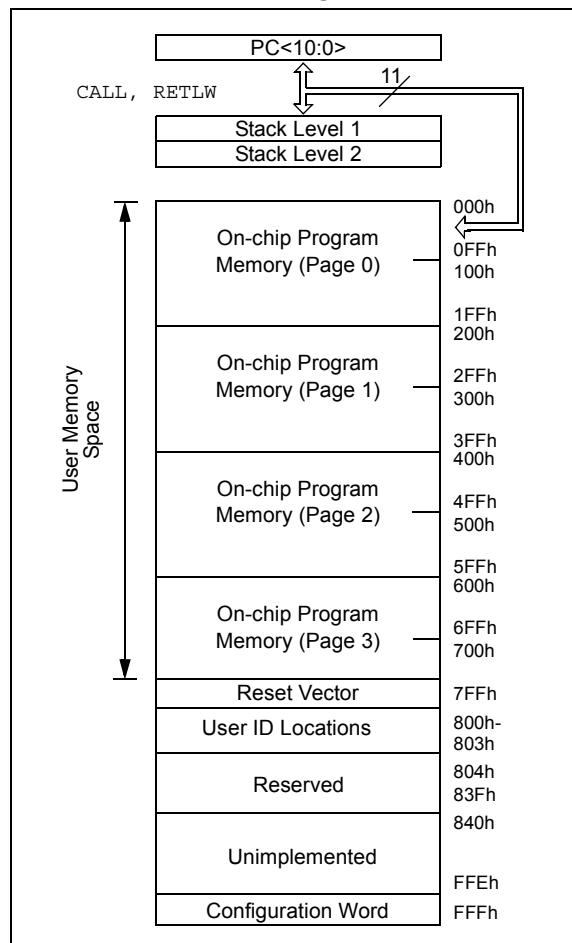
A user may store identification information (ID) in four user ID locations. The user ID locations are mapped in [0x800: 0x803]. It is recommended that the user use only the four Least Significant bits (LSb) of each user ID location. The user ID locations read out normally, even after code protection is enabled. It is recommended that user ID locations are written as 'xxxx xxxx bbbb' where 'bbbb' is user ID information.

The 12 bits may be programmed, but only the four LSbs are displayed by MPLAB® IDE. The xxxx's are "don't care" bits and are not read by MPLAB IDE.

2.3 Configuration Word

The Configuration Word is located at 0xFFFF and is only available upon Program mode entry. Once an Increment Address command is issued, the Configuration Word is no longer accessible regardless of the address of the program counter.

FIGURE 2-1: PROGRAM MEMORY MAP AND STACK



2.4 Program/Verify Mode

The Program/Verify mode is entered by holding pins ICSPCLK and ICSPDAT low while raising VDD pin from VIL to VDD. Then raise VPP from VIL to VIH. Once in this mode, the user program memory and configuration memory can be accessed and programmed in serial fashion. Clock and data are Schmitt Trigger input in this mode.

The sequence that enters the device into the Programming/Verify mode places all other logic into the Reset state (the MCLR pin was initially at VIL). This means that all I/O are in the Reset state (high-impedance inputs).

The PIC16F57 program memory may be written in two ways. The fastest method writes four words at a time to the program memory array. However, one-word writes are also supported.

2.4.1 FOUR-WORD PROGRAMMING

The normal sequence for writing the program array is to load four words to sequential addresses, then issue a Begin Programming command. The PC must be advanced following the first three loads, but not advanced following the last program load until after the programming cycle. The programming cycle is started and timed externally. Then, the PC is advanced after the programming cycle. The cycle repeats to program the array. After writing the array, the PC may be reset and read back to verify the write. It is not possible to verify immediately following the write because the PC can only increment, not decrement. See Figure 2-10.

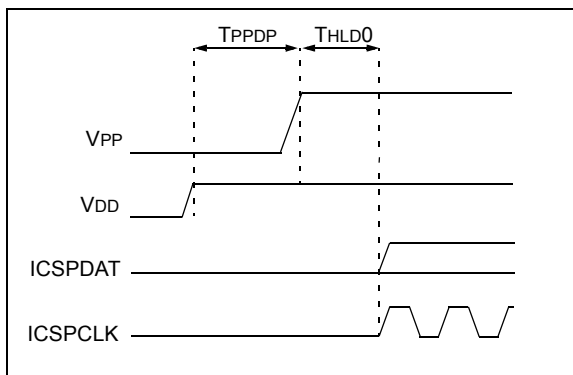
It is important that the PC is not advanced after the 4th word is loaded as the programming cycle writes the row selected by the PC <11:2>. If the PC is advanced, the data will be written to the next row.

2.4.2 ONE-WORD PROGRAMMING

Configuration memory must be written one word at a time. The one-word sequence loads a word, programs, verifies, and finally increments the PC. See Figure 2-9.

A device Reset will clear the PC and set the address to 0xFF. The Increment Address command will increment the PC. The available commands are shown in Table 2-1.

FIGURE 2-2: ENTERING HIGH VOLTAGE PROGRAM/VERIFY MODE



2.4.3 SERIAL PROGRAM/VERIFY OPERATION

The ICSPCLK pin is used for clock input and the ICSPDAT pin is used for data input/output during serial operation. To input a command, the clock pin is cycled six times. Each command bit is latched on the falling edge of the clock with the LSb of the command being input first. The data must adhere to the setup (TSET1) and hold (THLD1) times with respect to the falling edge of the clock (see Table 5-1).

Commands that do not have data associated with them are required to wait a minimum of TDLY2 measured from the falling edge of the last command clock to the rising edge of the next command clock (see Table 5-1). Commands that do have data associated with them (Read and Load) are also required to wait TDLY2 between the command and the data segment measured from the falling edge of the last command clock to the rising edge of the first data clock. The data segment, consisting of 16 clock cycles, can begin after this delay.

Note: After every End Programming command, a time of TDIS must be delayed.

The first and last clock pulses during the data segment correspond to the Start and Stop bits, respectively. Input data is a "don't care" during the Start and Stop cycles. The 14 clock pulses between the Start and Stop cycles clock the 14 bits of input/output data. Data is transferred LSb first.

During Read commands, in which the data is output from the PIC16F57, the ICSPDAT pin transitions from the high-impedance state to the low-impedance output state at the rising edge of the second data clock (first clock edge after the Start cycle). The ICSPDAT pin returns to the high-impedance state at the rising edge of the 16th data clock (first edge of the Stop cycle). See Figure 2-4.

The commands that are available are described in Table 2-1.

TABLE 2-1: COMMAND MAPPING FOR PIC16F57

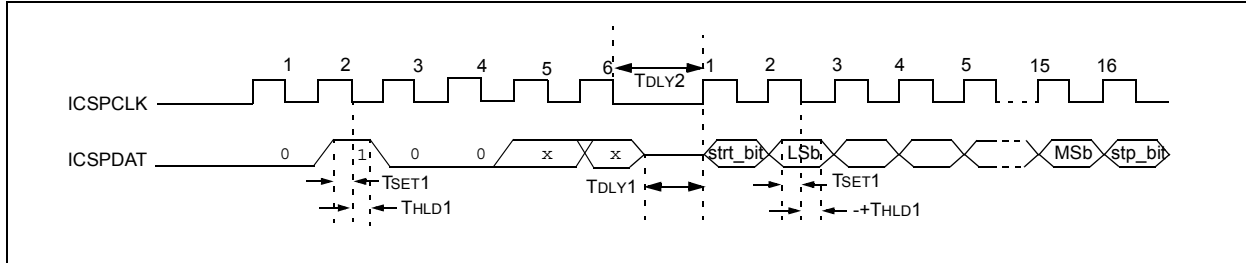
Command	Mapping (MSb ... LSb)						Data
Load Data for Program Memory	x	x	0	0	1	0	0, data (14), 0
Read Data from Program Memory	x	x	0	1	0	0	0, data (14), 0
Increment Address	x	x	0	1	1	0	
Begin Programming	x	x	1	0	0	0	Externally Timed
End Programming	x	x	1	1	1	0	
Bulk Erase Program Memory	x	x	1	0	0	1	Internally Timed

PIC16F57

2.4.3.1 Load Data For Program Memory

After receiving this command, the chip will load in a 14-bit “data word” when 16 cycles are applied, as described previously. Because this is a 12-bit core, the two MSBs of the data word are ignored. A timing diagram for the Load Data command is shown in Figure 2-3.

FIGURE 2-3: LOAD DATA COMMAND (PROGRAM/VERIFY)

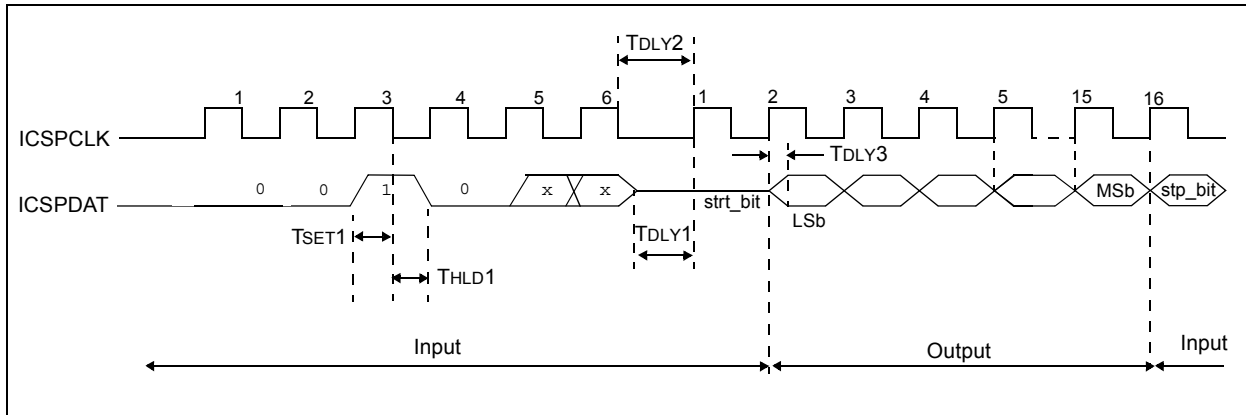


2.4.3.2 Read Data From Program Memory

After receiving this command, the chip will transmit data bits out of the program memory (user or configuration) currently addressed, starting with the second rising edge of the clock input. The data pin will go into Output mode on the second rising clock edge, and it will revert to Input mode (high-impedance) after the 16th rising edge. Because this is a 12-bit core, the two MSBs of the 14-bit word will be read as ‘1’s.

If the program memory is code-protected ($\overline{CP} = 0$), portions of the program memory will be read as zeros. See Section 4.0 “Code Protection” for details.

FIGURE 2-4: READ DATA FROM PROGRAM MEMORY COMMAND

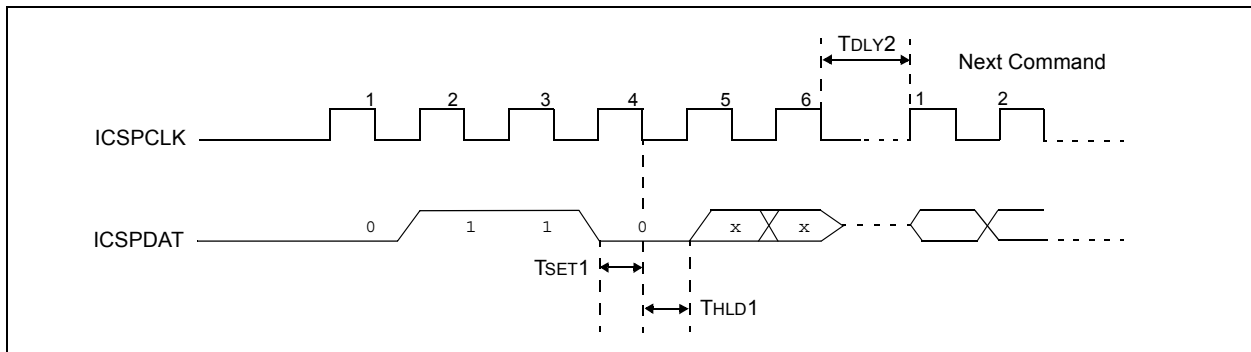


2.4.3.3 Increment Address

The PC is incremented when this command is received. A timing diagram of this command is shown in Figure 2-5.

It is not possible to decrement the address counter. To reset this counter, the user must either exit and re-enter Program/Verify mode or increment the PC from 0xFF to 0x00.

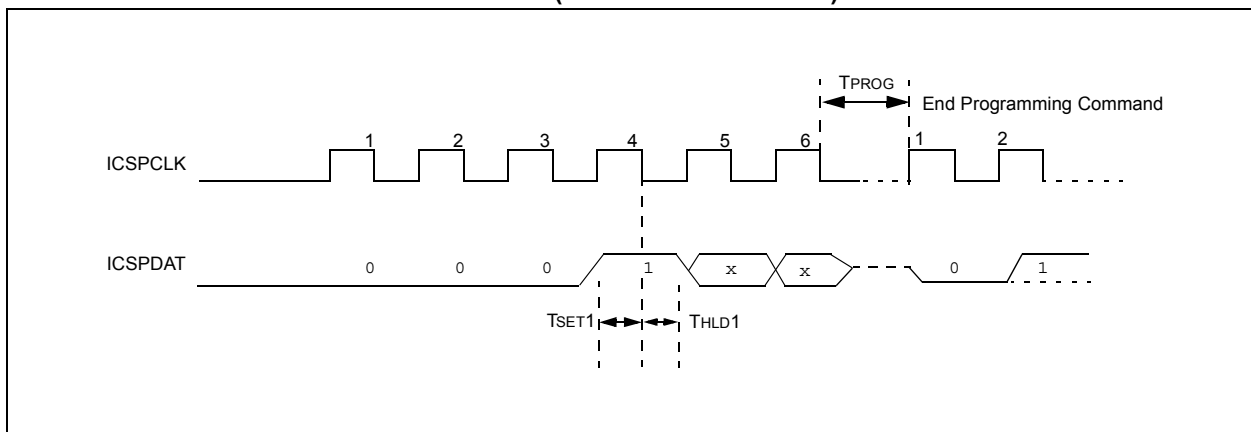
FIGURE 2-5: INCREMENT ADDRESS COMMAND



2.4.3.4 Begin Programming (Externally Timed)

A Load command must be given before every Begin Programming command. Programming will begin after this command is received and decoded. Programming requires (TPROG) time and is terminated using an End Programming command. This command programs the current location(s), no erase is performed.

FIGURE 2-6: BEGIN PROGRAMMING (EXTERNALLY TIMED)

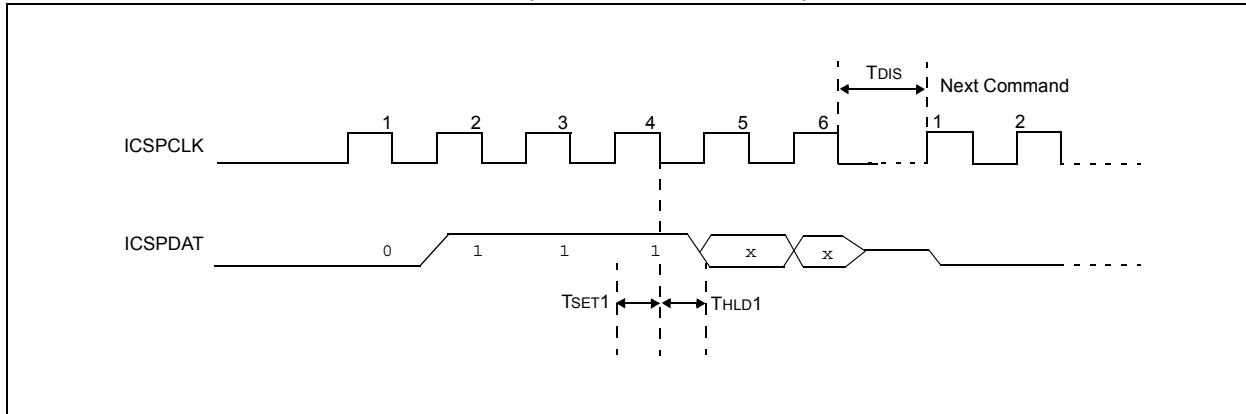


PIC16F57

2.4.3.5 End Programming

The End Programming command terminates the program process by removing the high programming voltage from the memory cells and resetting the data input latches to all '1's (erased state). A delay of T_{DIS} (see Table 5-1) is required before the next command to allow the high programming voltage to discharge (see Figure 2-7).

FIGURE 2-7: END PROGRAMMING (EXTERNALLY TIMED)



2.4.3.6 Bulk Erase Program Memory

After this command is performed, the entire program memory and Configuration Word is erased.

To perform a Bulk Erase of the program memory and configuration fuses, the following sequence must be performed (see Figure 2-8).

1. Perform a Bulk Erase Program Memory command
2. Wait T_{ERA} to complete Bulk Erase

To perform a Bulk Erase of the program memory, configuration fuses and user IDs, the following sequence must be performed (see Figure 2-8).

1. Increment PC to 0x800
2. Perform a Bulk Erase command
3. Wait T_{ERA} to complete Bulk Erase

FIGURE 2-8: BULK ERASE PROGRAM MEMORY COMMAND

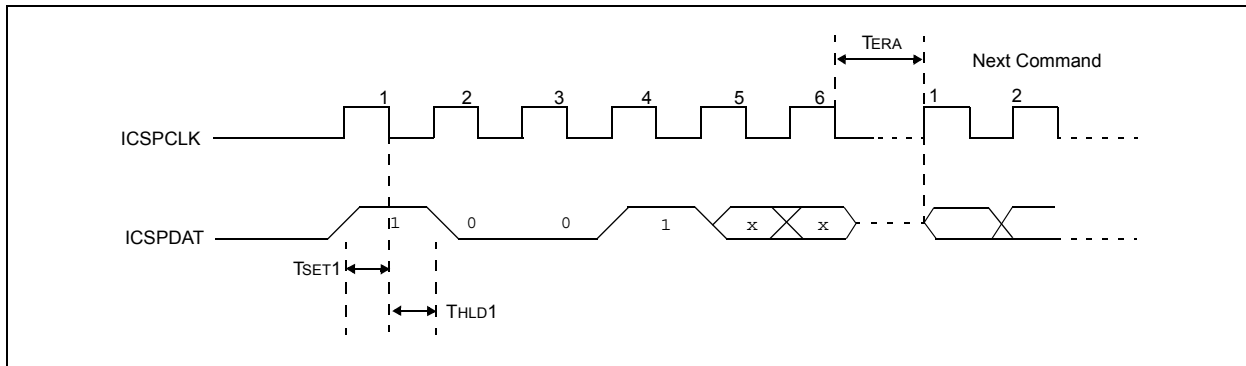
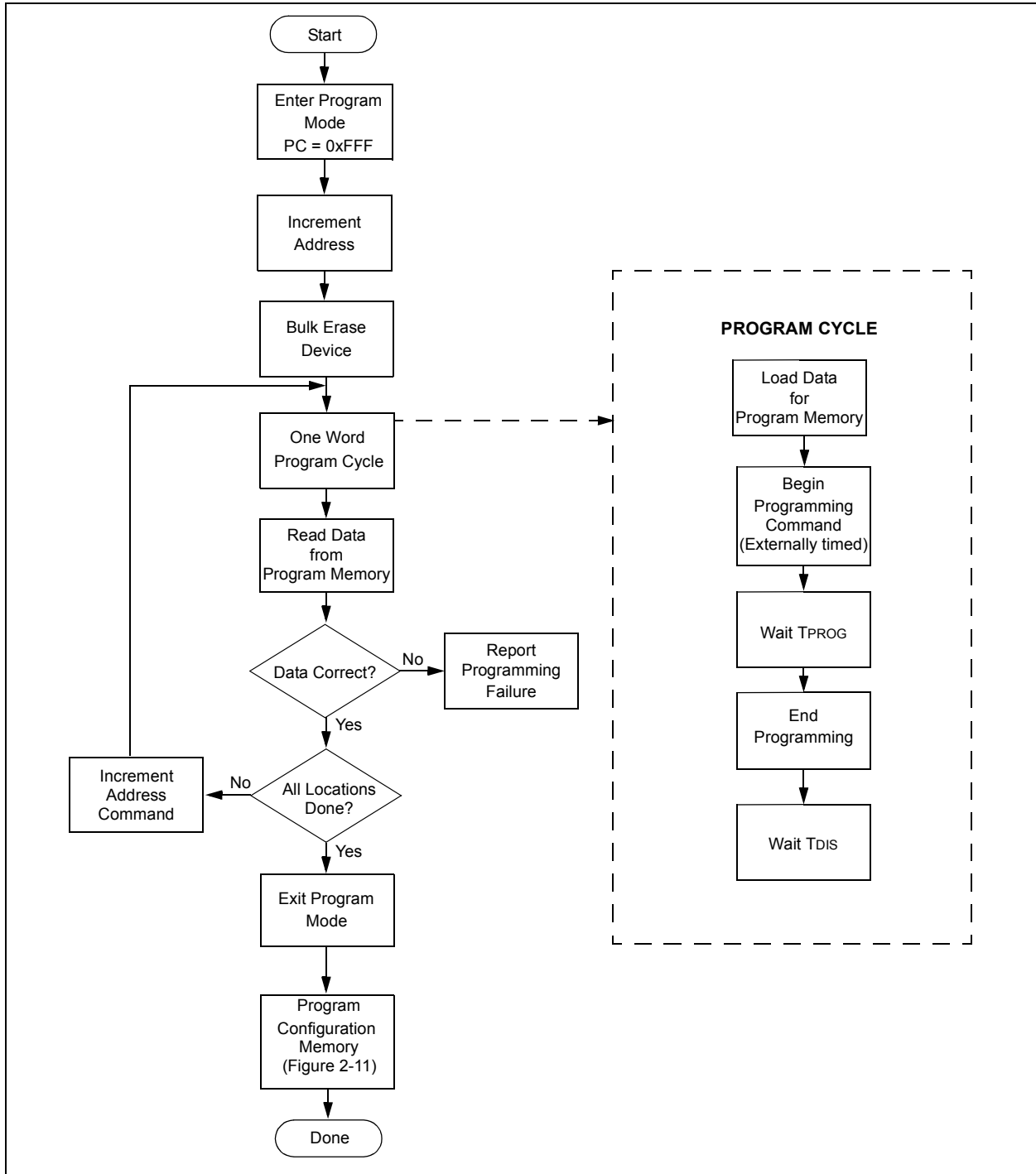


FIGURE 2-9: ONE-WORD PROGRAM FLOWCHART – PIC16F57 PROGRAM MEMORY



PIC16F57

FIGURE 2-10: FOUR-WORD PROGRAM FLOWCHART – PIC16F57 PROGRAM MEMORY

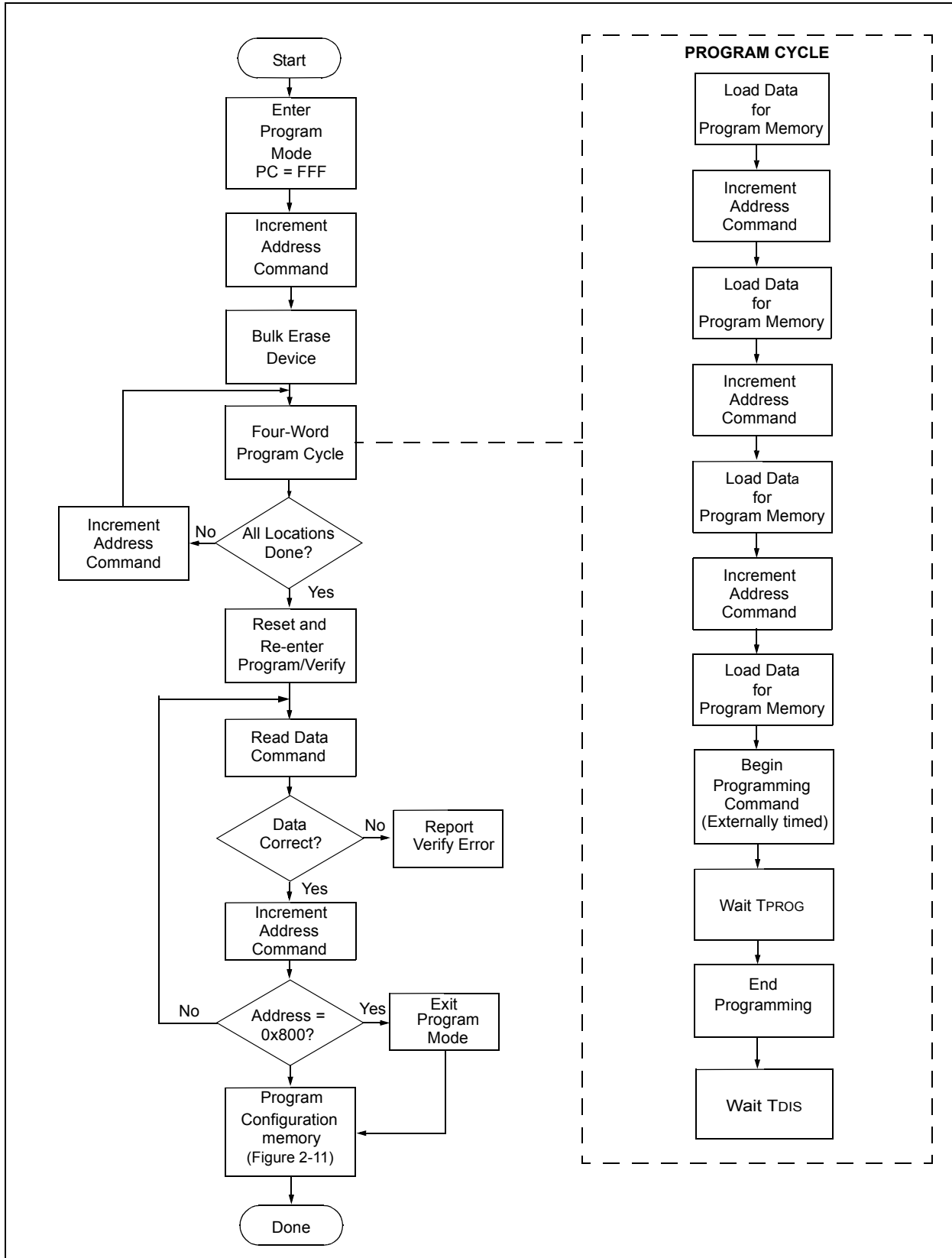
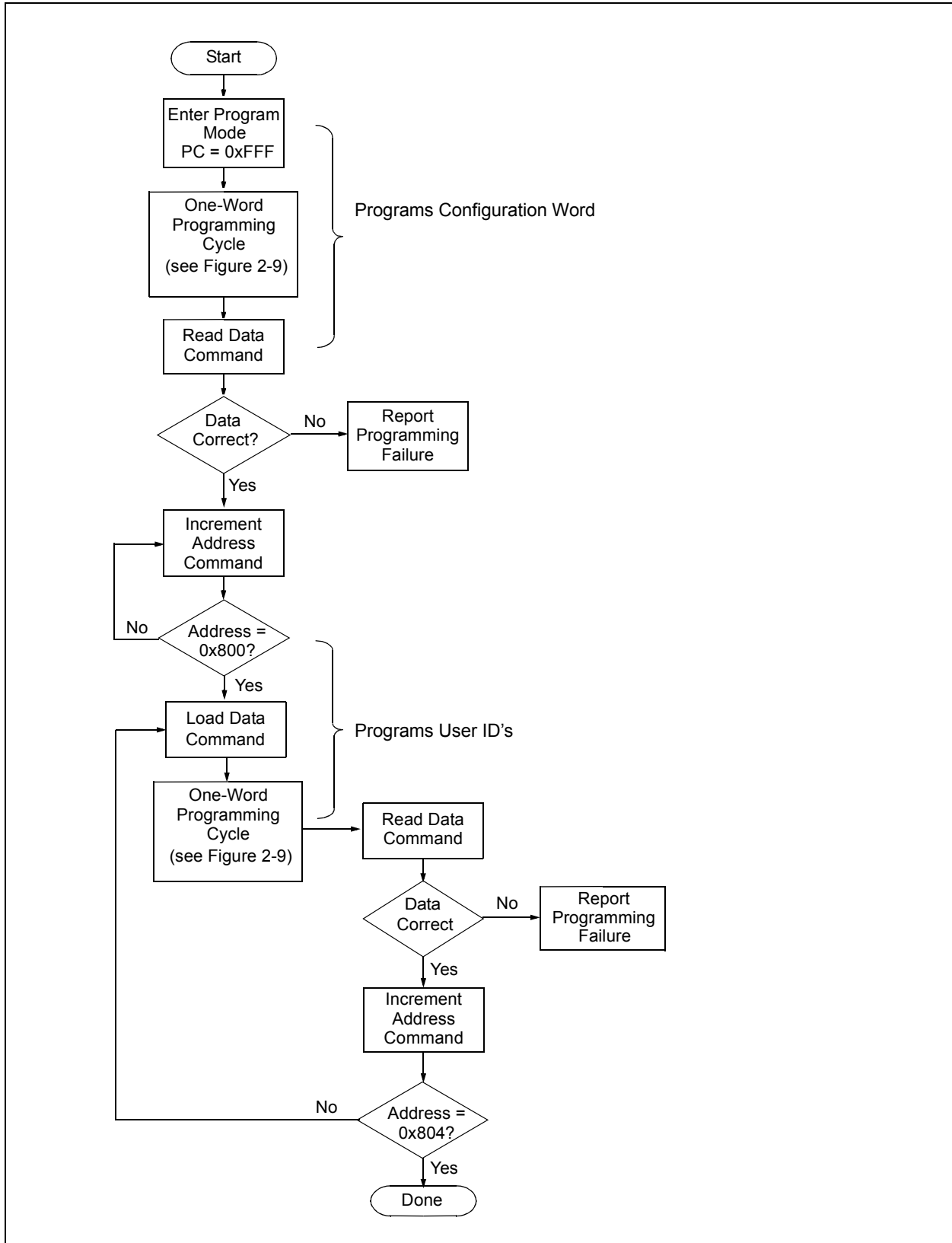


FIGURE 2-11: PROGRAM FLOWCHART – PIC16F57 CONFIGURATION MEMORY



PIC16F57

FIGURE 2-12: PROGRAM FLOWCHART – ERASE PROGRAM MEMORY, CONFIGURATION WORD

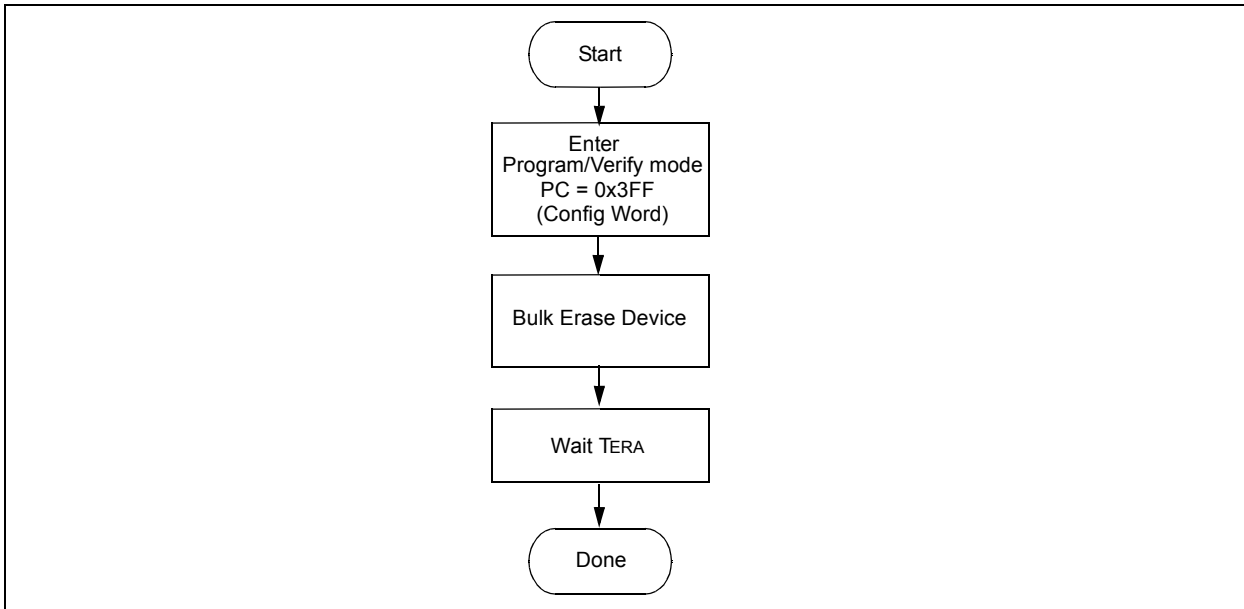
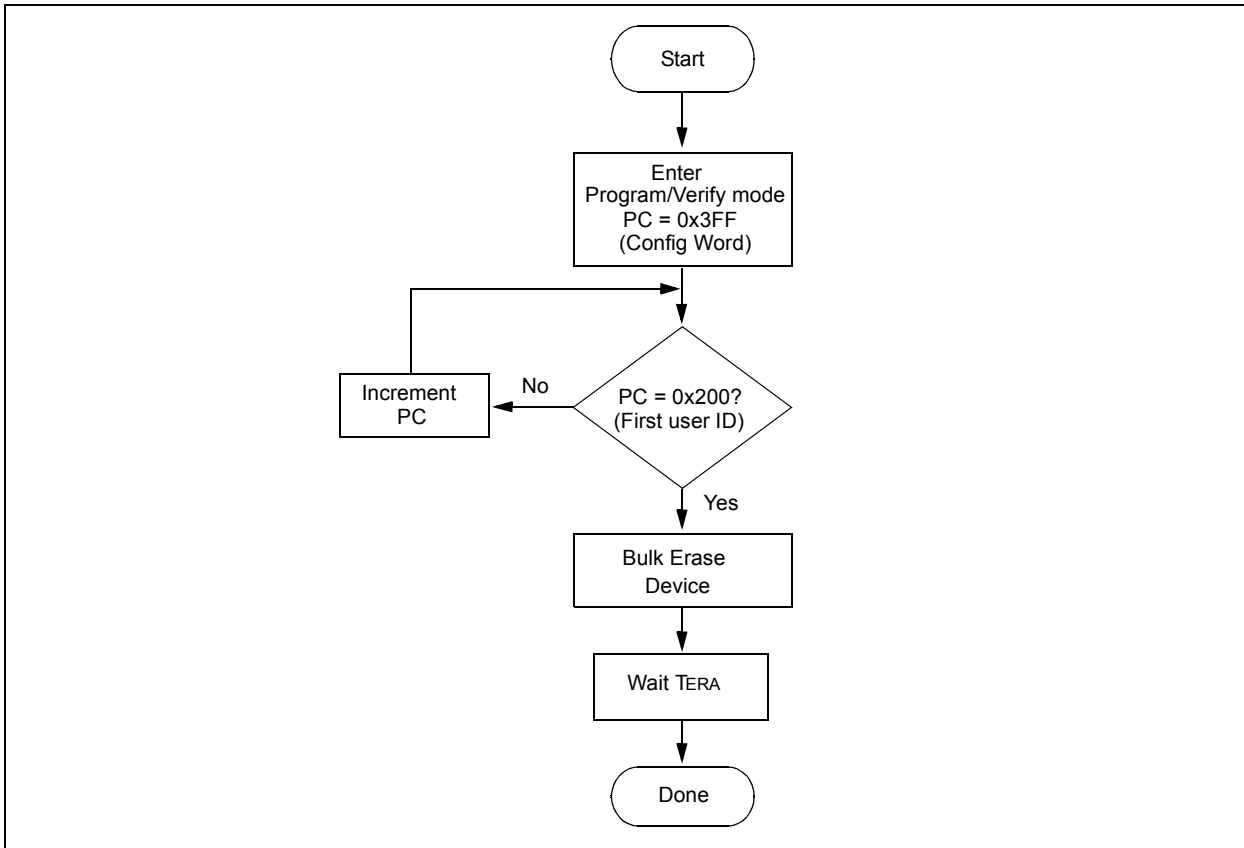


FIGURE 2-13: PROGRAM FLOWCHART – ERASE PROGRAM MEMORY, CONFIGURATION WORD AND USER ID



3.0 CONFIGURATION WORD

The PIC16F57 has several Configuration bits. These bits can be programmed (reads '0'), or left unchanged (reads '1'), to select various device configurations.

REGISTER 3-1: CONFIGURATION WORD

								\overline{CP}	WDTE	FOSC1	FOSC0
bit 11								bit 0			

Legend:

R = Readable bit

W = Writable bit

U = Unimplemented bit, read as '0'

-n = Value at POR

'1' = Bit is set

'0' = Bit is cleared

x = Bit is unknown

bit 11-4 **Unimplemented:** Read as '0'

bit 3 **\overline{CP} :** Code Protection bit

1 = Code protection off

0 = Code protection on

bit 2 **WDTE:** Watchdog Timer Enable bit

1 = WDT enabled

0 = WDT disabled

bit 1-0 **FOSC1:FOSC0:** Oscillator Selection bits

00 = LP oscillator

01 = XT oscillator

10 = HS oscillator

11 = RC oscillator

PIC16F57

4.0 CODE PROTECTION

For the PIC16F57, once code protection is enabled, all program memory locations above 0x3F read all '0's. Program memory locations 0x00-0x3F are always unprotected. The ID locations and the Configuration Word read out in an unprotected fashion. It is possible to program the ID locations and the Configuration Word once CP is enabled.

4.1 Disabling Code Protection

It is recommended that the following procedure be performed before any other programming is attempted. It is also possible to turn code protection off ($\overline{CP} = 1$) using this procedure. However, **all data within the program memory will be erased when this procedure is executed, and thus, the security of the code is not compromised.**

To disable code-protect:

- Enter Programming mode
- Execute Bulk Erase Program Memory (001001)
- Wait TERA

4.2 Embedding Configuration Word and ID Information in the Hex File

To allow portability of code, the programmer is required to read the Configuration Word and ID locations from the hex file when loading the hex file. If Configuration Word information was not present in the hex file, then a simple warning message may be issued. Similarly, while saving a hex file, Configuration Word and ID information must be included. An option to not include this information may be provided.

Microchip Technology Incorporated feels strongly that this feature is important for the benefit of the end customer.

4.3 Checksum Computation

4.3.1 CHECKSUM

Checksum is calculated by reading the contents of the PIC16F57 memory locations and adding up the opcodes up to the maximum user addressable location, (e.g., 0x7FF for the PIC16F57). Any carry bits exceeding 16 bits are neglected. Finally, the Configuration Word (appropriately masked) is added to the checksum. Checksum computation for the PIC16F57 is shown in Table 4-1.

The checksum is calculated by summing the following:

- The contents of all program memory locations
- The Configuration Word, appropriately masked
- Masked ID locations (when applicable)

The Least Significant 16 bits of this sum is the checksum.

The following table describes how to calculate the checksum for each device.

Note: The checksum calculation differs depending on the code-protect setting. The Configuration Word and ID locations can always be read regardless of the code-protect setting.

TABLE 4-1: CHECKSUM COMPUTATIONS⁽¹⁾

Device	Code Protect	Checksum*	Blank Value	0x723 at 0 and Max Address
PIC16F57	OFF	SUM[0x000:0x7FF] + CFGW & 0x00F + 0xFF0	0x07FF	0xF647
	ON	SUM[0x000:0x3F] + CFGW & 0x00F + 0xFF0 + SUM_ID	0x17B6	0xFD22

Legend: CFGW = Configuration Word
SUM[a:b] = [Sum of locations a to b inclusive]
SUM_ID = ID locations masked by 0xF then made into a 16-bit value with ID0 as the Most Significant nibble.
For example, ID0 = 0x1, ID1 = 0x2, ID2 = 0x3, ID3 = 0x4, then SUM_ID = 0x1234.
*Checksum = [Sum of all the individual expressions] modulo [0xFFFF]
+ = Addition
& = Bitwise AND

Note 1: Checksum shown assumes that SUM_ID contains the unprotected checksum.

5.0 PROGRAM/VERIFY MODE ELECTRICAL CHARACTERISTICS

TABLE 5-1: AC/DC CHARACTERISTICS TIMING REQUIREMENTS FOR PROGRAM/VERIFY MODE

AC/DC CHARACTERISTICS		Standard Operating Conditions (unless otherwise stated) Operating Temperature $10^{\circ}\text{C} \leq T_A \leq 40^{\circ}\text{C}$ Operating Voltage $4.5\text{V} \leq V_{DD} \leq 5.5\text{V}$				
Sym.	Characteristics	Min.	Typ.	Max.	Units	Conditions/Comments
General						
VDDPROG	VDD level for programming operations, program memory	4.5	—	5.5	V	
VDDERA	VDD level for Bulk Erase operations, program memory	4.5	—	5.5	V	
IDDPORG	IDD level for programming operations, program memory	—	—	0.5	mA	
IDDERA	IDD level for Bulk Erase operations, program memory	—	—	0.5	mA	
VPP	High voltage on $\overline{\text{MCLR}}$ for Program/Verify mode entry	12.5	—	13.5	V	
IPP	$\overline{\text{MCLR}}$ pin current during Program/Verify mode	—	—	0.45	mA	
TVHHR	$\overline{\text{MCLR}}$ rise time (V_{SS} to V_{IH}) for Program/Verify mode entry	—	—	1.0	μs	
TPPDP	Hold time after $V_{PP}\uparrow$	5	—	—	μs	
VIH1	(ICSPCLK, ICSPDAT) input high level	$0.8 V_{DD}$	—	—	V	
VIL1	(ICSPCLK, ICSPDAT) input low level	—	—	$0.2 V_{DD}$	V	
TSET0	ICSPCLK, ICSPDAT setup time before $\overline{\text{MCLR}}\uparrow$ (Program/Verify mode selection pattern setup time)	100	—	—	ns	
THLD0	ICSPCLK, ICSPDAT hold time after $\overline{\text{MCLR}}\uparrow$ (Program/Verify mode selection pattern setup time)	5	—	—	μs	
Serial Program/Verify						
TSET1	Data in setup time before clock \downarrow	100	—	—	ns	
THLD1	Data in hold time after clock \downarrow	100	—	—	ns	
TDLY1	Data input not driven to next clock input (delay required between command/data or command/command)	1.0	—	—	μs	
TDLY2	Delay between clock \downarrow to clock \uparrow of next command or data	1.0	—	—	μs	
TDLY3	Clock \uparrow to data out valid (during Read Data)	—	—	80	ns	
TERA	Erase cycle time	—	—	$10^{(1)}$	ms	
TPROG	Programming cycle time (externally timed)	—	—	$2^{(1)}$	ms	
TDIS	Time delay for internal programming voltage discharge	100	—	—	μs	
TRESET	Time between exiting Program mode with V_{DD} and V_{PP} at GND and then re-entering Program mode by applying V_{DD}	—	10	—	ms	

Note 1: Minimum time to ensure that function completes successfully over voltage, temperature and device variations.

PIC16F57

NOTES:

Note the following details of the code protection feature on Microchip devices:

- Microchip products meet the specification contained in their particular Microchip Data Sheet.
- Microchip believes that its family of products is one of the most secure families of its kind on the market today, when used in the intended manner and under normal conditions.
- There are dishonest and possibly illegal methods used to breach the code protection feature. All of these methods, to our knowledge, require using the Microchip products in a manner outside the operating specifications contained in Microchip's Data Sheets. Most likely, the person doing so is engaged in theft of intellectual property.
- Microchip is willing to work with the customer who is concerned about the integrity of their code.
- Neither Microchip nor any other semiconductor manufacturer can guarantee the security of their code. Code protection does not mean that we are guaranteeing the product as "unbreakable."

Code protection is constantly evolving. We at Microchip are committed to continuously improving the code protection features of our products. Attempts to break Microchip's code protection feature may be a violation of the Digital Millennium Copyright Act. If such acts allow unauthorized access to your software or other copyrighted work, you may have a right to sue for relief under that Act.

Information contained in this publication regarding device applications and the like is provided only for your convenience and may be superseded by updates. It is your responsibility to ensure that your application meets with your specifications. MICROCHIP MAKES NO REPRESENTATIONS OR WARRANTIES OF ANY KIND WHETHER EXPRESS OR IMPLIED, WRITTEN OR ORAL, STATUTORY OR OTHERWISE, RELATED TO THE INFORMATION, INCLUDING BUT NOT LIMITED TO ITS CONDITION, QUALITY, PERFORMANCE, MERCHANTABILITY OR FITNESS FOR PURPOSE. Microchip disclaims all liability arising from this information and its use. Use of Microchip devices in life support and/or safety applications is entirely at the buyer's risk, and the buyer agrees to defend, indemnify and hold harmless Microchip from any and all damages, claims, suits, or expenses resulting from such use. No licenses are conveyed, implicitly or otherwise, under any Microchip intellectual property rights.

Trademarks

The Microchip name and logo, the Microchip logo, Accuron, dsPIC, KEELOQ, KEELOQ logo, MPLAB, PIC, PICmicro, PICSTART, PRO MATE, rPIC and SmartShunt are registered trademarks of Microchip Technology Incorporated in the U.S.A. and other countries.


AmpLab, FilterLab, Linear Active Thermistor, MXDEV, MXLAB, SEEVAL, SmartSensor and The Embedded Control Solutions Company are registered trademarks of Microchip Technology Incorporated in the U.S.A.

Analog-for-the-Digital Age, Application Maestro, CodeGuard, dsPICDEM, dsPICDEM.net, dsPICworks, dsSPEAK, ECAN, ECONOMONITOR, FanSense, In-Circuit Serial Programming, ICSP, ICEPIC, Mindi, MiWi, MPASM, MPLAB Certified logo, MPLIB, MPLINK, mTouch, PICkit, PICDEM, PICDEM.net, PICtail, PowerCal, PowerInfo, PowerMate, PowerTool, REAL ICE, rLAB, Select Mode, Total Endurance, UNI/O, WiperLock and ZENA are trademarks of Microchip Technology Incorporated in the U.S.A. and other countries.

SQTP is a service mark of Microchip Technology Incorporated in the U.S.A.

All other trademarks mentioned herein are property of their respective companies.

© 2008, Microchip Technology Incorporated, Printed in the U.S.A., All Rights Reserved.

 Printed on recycled paper.

**QUALITY MANAGEMENT SYSTEM
CERTIFIED BY DNV
== ISO/TS 16949:2002 ==**

Microchip received ISO/TS-16949:2002 certification for its worldwide headquarters, design and wafer fabrication facilities in Chandler and Tempe, Arizona; Gresham, Oregon and design centers in California and India. The Company's quality system processes and procedures are for its PIC® MCUs and dsPIC® DSCs, KEELOQ® code hopping devices, Serial EEPROMs, microperipherals, nonvolatile memory and analog products. In addition, Microchip's quality system for the design and manufacture of development systems is ISO 9001:2000 certified.



WORLDWIDE SALES AND SERVICE

AMERICAS

Corporate Office
2355 West Chandler Blvd.
Chandler, AZ 85224-6199
Tel: 480-792-7200
Fax: 480-792-7277
Technical Support:
<http://support.microchip.com>
Web Address:
www.microchip.com

Atlanta

Duluth, GA
Tel: 678-957-9614
Fax: 678-957-1455

Boston

Westborough, MA
Tel: 774-760-0087
Fax: 774-760-0088

Chicago

Itasca, IL
Tel: 630-285-0071
Fax: 630-285-0075

Dallas

Addison, TX
Tel: 972-818-7423
Fax: 972-818-2924

Detroit

Farmington Hills, MI
Tel: 248-538-2250
Fax: 248-538-2260

Kokomo

Kokomo, IN
Tel: 765-864-8360
Fax: 765-864-8387

Los Angeles

Mission Viejo, CA
Tel: 949-462-9523
Fax: 949-462-9608

Santa Clara

Santa Clara, CA
Tel: 408-961-6444
Fax: 408-961-6445

Toronto

Mississauga, Ontario,
Canada
Tel: 905-673-0699
Fax: 905-673-6509

ASIA/PACIFIC

Asia Pacific Office
Suites 3707-14, 37th Floor
Tower 6, The Gateway
Harbour City, Kowloon
Hong Kong
Tel: 852-2401-1200
Fax: 852-2401-3431

Australia - Sydney
Tel: 61-2-9868-6733
Fax: 61-2-9868-6755

China - Beijing
Tel: 86-10-8528-2100
Fax: 86-10-8528-2104

China - Chengdu
Tel: 86-28-8665-5511
Fax: 86-28-8665-7889

China - Hong Kong SAR
Tel: 852-2401-1200
Fax: 852-2401-3431

China - Nanjing
Tel: 86-25-8473-2460
Fax: 86-25-8473-2470

China - Qingdao
Tel: 86-532-8502-7355
Fax: 86-532-8502-7205

China - Shanghai
Tel: 86-21-5407-5533
Fax: 86-21-5407-5066

China - Shenyang
Tel: 86-24-2334-2829
Fax: 86-24-2334-2393

China - Shenzhen
Tel: 86-755-8203-2660
Fax: 86-755-8203-1760

China - Wuhan
Tel: 86-27-5980-5300
Fax: 86-27-5980-5118

China - Xiamen
Tel: 86-592-2388138
Fax: 86-592-2388130

China - Xian
Tel: 86-29-8833-7252
Fax: 86-29-8833-7256

China - Zhuhai
Tel: 86-756-3210040
Fax: 86-756-3210049

ASIA/PACIFIC

India - Bangalore
Tel: 91-80-4182-8400
Fax: 91-80-4182-8422

India - New Delhi
Tel: 91-11-4160-8631
Fax: 91-11-4160-8632

India - Pune
Tel: 91-20-2566-1512
Fax: 91-20-2566-1513

Japan - Yokohama
Tel: 81-45-471- 6166
Fax: 81-45-471-6122

Korea - Daegu
Tel: 82-53-744-4301
Fax: 82-53-744-4302

Korea - Seoul
Tel: 82-2-554-7200
Fax: 82-2-558-5932 or
82-2-558-5934

Malaysia - Kuala Lumpur
Tel: 60-3-6201-9857
Fax: 60-3-6201-9859

Malaysia - Penang
Tel: 60-4-227-8870
Fax: 60-4-227-4068

Philippines - Manila
Tel: 63-2-634-9065
Fax: 63-2-634-9069

Singapore
Tel: 65-6334-8870
Fax: 65-6334-8850

Taiwan - Hsin Chu
Tel: 886-3-572-9526
Fax: 886-3-572-6459

Taiwan - Kaohsiung
Tel: 886-7-536-4818
Fax: 886-7-536-4803

Taiwan - Taipei
Tel: 886-2-2500-6610
Fax: 886-2-2508-0102

Thailand - Bangkok
Tel: 66-2-694-1351
Fax: 66-2-694-1350

EUROPE

Austria - Wels
Tel: 43-7242-2244-39
Fax: 43-7242-2244-393

Denmark - Copenhagen
Tel: 45-4450-2828
Fax: 45-4485-2829

France - Paris
Tel: 33-1-69-53-63-20
Fax: 33-1-69-30-90-79

Germany - Munich
Tel: 49-89-627-144-0
Fax: 49-89-627-144-44

Italy - Milan
Tel: 39-0331-742611
Fax: 39-0331-466781

Netherlands - Drunen
Tel: 31-416-690399
Fax: 31-416-690340

Spain - Madrid
Tel: 34-91-708-08-90
Fax: 34-91-708-08-91

UK - Wokingham
Tel: 44-118-921-5869
Fax: 44-118-921-5820

01/02/08