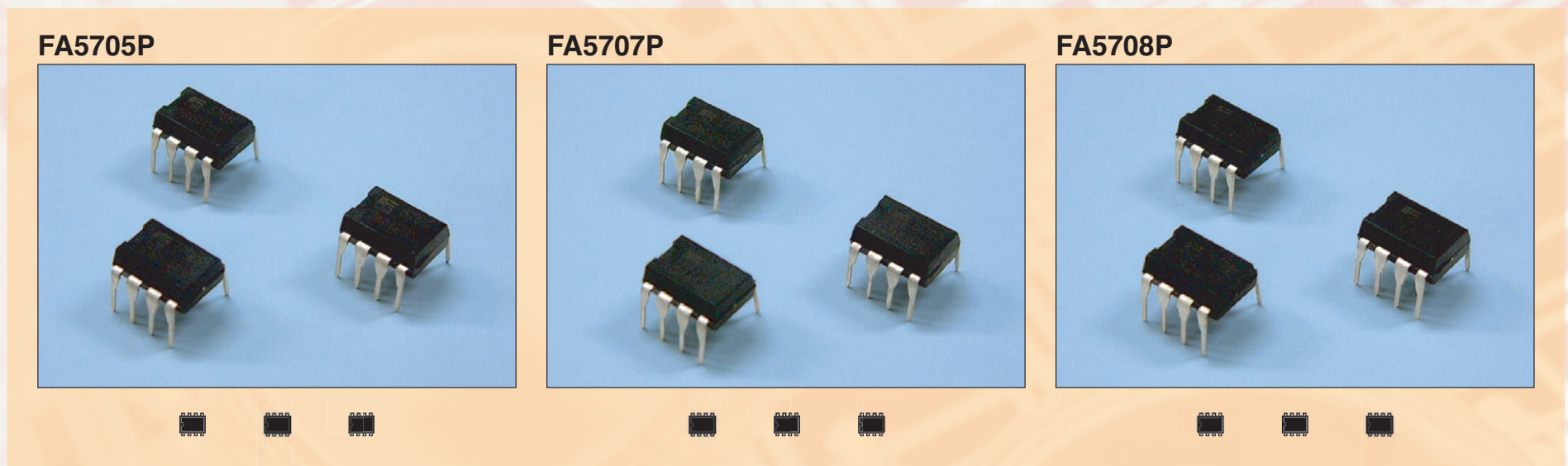
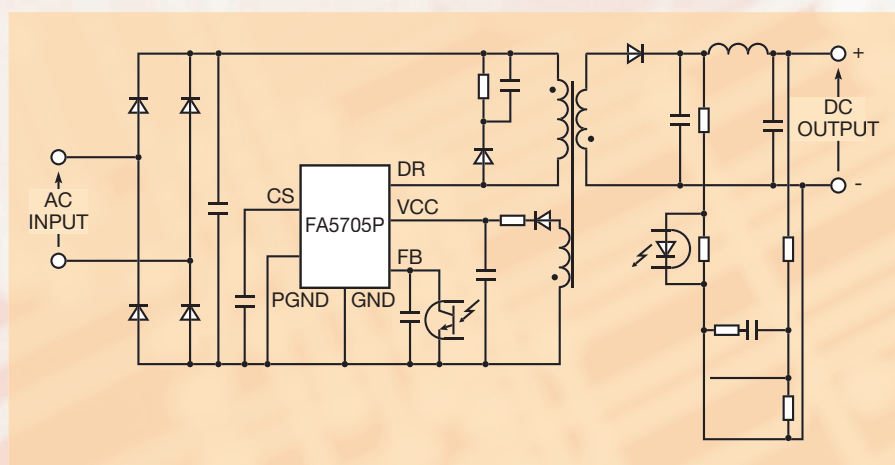


内置功率MOSFET的 PWM IC “FA5705/07/08”

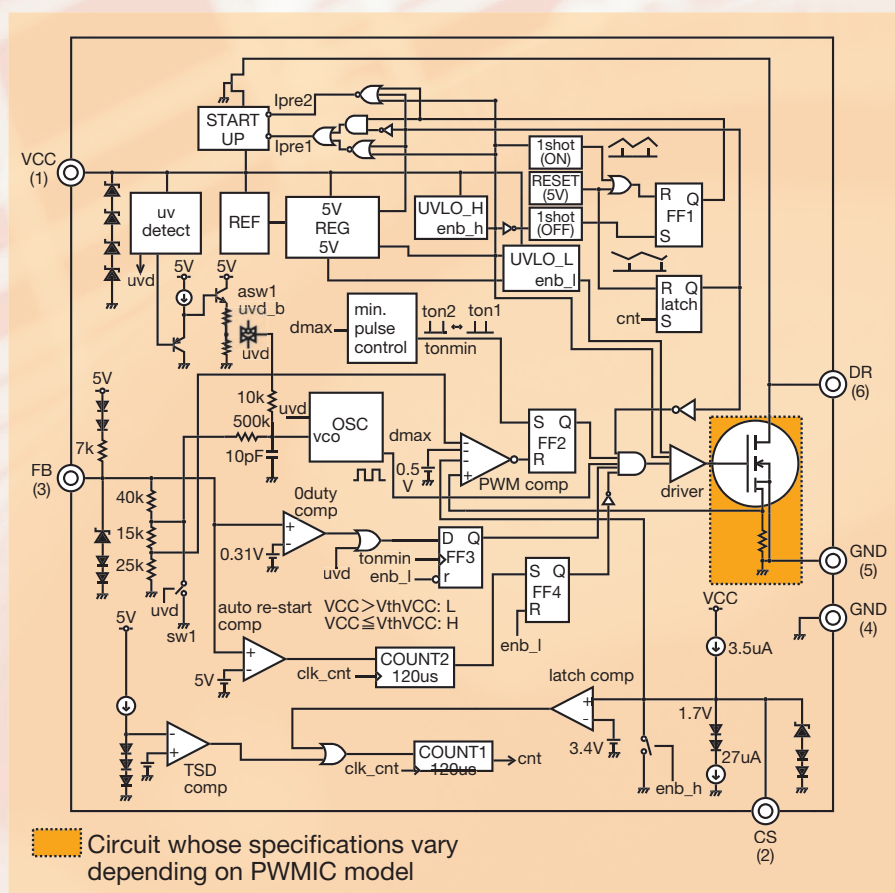
PWM IC with Built-in Power MOSFET “FA5705/07/08”



应用电路 Application circuit



框图 Block Diagram



特性 Features

- 内置 700V 耐压的功率 MOSFET，将 3 种类型系列化
FA5705/07/08：12W/8W/4W 输出用
- 通过 700V 耐压启动元件，轻负载时频率降低，实现低待机功率
- VCC 工作电压范围广达 8.5~25V，电源设计方便
- VCC 9.55V 以下时提高频率，有良好的过渡响应
- 自动复位型过载保护（停止时间比大的间歇动作）
- 通过软启动，过热保护，外部信号实现强制锁定停止
- A series of three types incorporating a MOSFET with a dielectric strength of 700V.
FA5705/07/08: 12W/8W/4W output
- Low standby power achieved by reducing the frequency when a light load is applied to the startup element, which withstands 700V.
- The wide VCC operating voltage range (8.5 to 25V) simplifies the power supply design.
- A good transient response attained by increasing the frequency at a VCC of 9.55V or below.
- Auto-resetting overload protection (in intermittent operation with a high interruption time ratio)
- A forced latch stop activated by the soft start function, overheat protection function, or external signal input.

规格 Specification

Item	Characteristics
Supply voltage	8.5 to 25V
Oscillation frequency	0.6k to 100kHz
Operating current	1.45mA
Junction temperature	-20 to 125°C