



SANYO Semiconductors

## DATA SHEET

# LA73026AV — Monolithic Linear IC Double Scart Interface IC

## Overview

This LA73026AV is a double scart (PAL/SECAM 21pin) interface IC.

## Functions

- AV switches
- Changeable Gain AMP
- 6dB AMP + driver
- FSS output

## Specifications

### Maximum Ratings at Ta = 25°C

Parameter	Symbol	Conditions	Ratings	Unit
Maximum supply voltage	V <sub>CCV</sub> max	24, 29 pin	6.0	V
	V <sub>CCA</sub> max	14 pin	13.0	V
Allowable power dissipation	Pd max	Ta ≤ 80°C*	760	mW
Operating temperature	Topr		-20 to +80	°C
Storage temperature	Tstg		-55 to +150	°C

\* When mounted on a 114.3×76.1×1.6mm<sup>3</sup> glass epoxy board.

### Operating Conditions at Ta = 25°C

Parameter	Symbol	Conditions	Ratings	Unit
Recommending operation voltage	V <sub>CCV</sub>	24, 29 pin	5.0	V
	V <sub>CCA</sub>	14 pin	12.0	V
Operating voltage range	V <sub>CCV</sub> op	24, 29 pin	4.5 to 5.5	V
	V <sub>CCA</sub> op	14 pin	11.5 to 12.5	V

■ Any and all SANYO Semiconductor products described or contained herein do not have specifications that can handle applications that require extremely high levels of reliability, such as life-support systems, aircraft's control systems, or other applications whose failure can be reasonably expected to result in serious physical and/or material damage. Consult with your SANYO Semiconductor representative nearest you before using any SANYO Semiconductor products described or contained herein in such applications.

■ SANYO Semiconductor assumes no responsibility for equipment failures that result from using products at values that exceed, even momentarily, rated values (such as maximum ratings, operating condition ranges, or other parameters) listed in products specifications of any and all SANYO Semiconductor products described or contained herein.

**SANYO Semiconductor Co., Ltd.**

TOKYO OFFICE Tokyo Bldg., 1-10, 1 Chome, Ueno, Taito-ku, TOKYO, 110-8534 JAPAN

# LA73026AV

**Electrical Characteristics** at Ta = 25°C, VCC = ±5.0V, VCCA = 12.0V

Parameter	Symbol	Conditions	Ratings			Unit	
			min	typ	max		
Current dissipation 1	ICC1	Pin 24 Flow in current when non-signal	16.0	24.0	32.0	mA	
Current dissipation 2	ICC2	Pin 29 Flow in current when non-signal	12.0	18.0	24.0	mA	
Current dissipation 3	ICCA	Pin 14 Flow in current when non-signal	13.0	21.0	29.0	mA	
FSS output H voltage	VHFSS	Serial control select FSS OUT H VCCA<13.0V	VCCA-1.0	VCCA-0.5	VCCA	V	
FSS output M voltage	VMFSS	Serial control select FSS OUT M VCCA<13.0V	5.0	6.0	7.0	V	
FSS output L voltage	VL FSS	Serial control select FSS OUT L VCCA <13.0V	0	0.1	0.5	V	
FSS output cut off current	ICUTOFF	Flow out current when Pin 20 connecting to GND.	M	2.0	3.61	10.0	mA
			H	2.0	3.78	10.0	mA
External control terminal H voltage	VEXTH	RL = 1.8kΩ, VCCRL<13V	VCCRL-0.2	VCCRL		V	
External control terminal L voltage	VEXTL	RL = 1.8kΩ, VCCRL = 5V	0	0.7	1.0	V	
		RL = 10kΩ, VCCRL = 5V	0	0.15	1.0	V	
External control terminal drive current	IDR	RL = 1.8kΩ, VCCRL = 5V	2.2	2.4	2.78	mA	
		RL = 10kΩ, VCCRL = 5V	400	485	500	μA	
Power Save control H	VPSAVECTLH	Power Save H, control voltage of Pin 8.	3.0		VCCV	V	
Power Save control L	VPSAVECTL	Power Save L, control voltage of Pin 8.	0		1.0	V	
External mute control H	VMUTECTLH	External mute H, control voltage of Pin 9.	3.0		VCCV	V	
External mute control L	VMUTECTL	External mute L, control voltage of Pin 9.	0		1.0	V	
<b>Video switches part</b>							
Voltage gain V1	VG1V	25, 26pin output, 100% white	5.6	6.1	6.6	dB	
Voltage gain V2	VG2V	5 pin output G2 D6-L, 100% white	-0.4	0.1	0.6	dB	
Voltage gain V3	VG3V	5 pin output G2 D6-H, 100% white	5.6	6.1	6.6	dB	
Frequency characteristics	VF	f = 100kHz/7MHz	-0.5	-0.0	0.5	dB	
DG differential gain	DG	VIN = 1Vp-p	-1.0	0.0	1.0	%	
DP differential phase	DP	VIN = 1Vp-p	-1.5	0.0	1.5	deg	
Output voltage	VOU	Pin 25, 26 DC voltage when non-signal.		1.15	2.0	V	
<b>Audio switches part</b>							
Voltage gain 1A	VG1A	Serial control select 0dB.	-0.3	0.2	0.7	dB	
Voltage gain 2A	VG2A	Serial control select 2dB.	1.7	2.2	2.7	dB	
Voltage gain 3A	VG3A	Serial control select 4dB.	2.7	4.2	4.7	dB	
Voltage gain 4A	VG4A	Serial control select 6dB.	5.7	6.2	6.7	dB	
Voltage gain 5A	VG5A	Serial control select 12dB.	11.7	12.2	12.7	dB	
Maximum output level	VO MAX	Output level at the time of f = 1kHz, THD = 2%	2	3.0		Vrms	
Total harmonic distortion	THD	VOU = 2Vrms, f = 1kHz, AMP 0dB		0.007	0.015	%	
Output noise voltage	VO NOISE	Rg = 1kΩ, JIS-A FILTER		-100	-90	dBm	
Cross talk between channel	VCTKA	VIN = 1Vrms, f = 1kHz		-90	-75	dB	
Mute attenuation	VMUTEA	VIN = 1Vrms, f = 1kHz		-90	-75	dB	
Input impedance	ZIN		40	50	60	kΩ	
Output off set voltage	VOFSET	Off set voltage at the time of changeover SW.	-20	0	20	mV	

\*VCCRL:see Test Circuit.

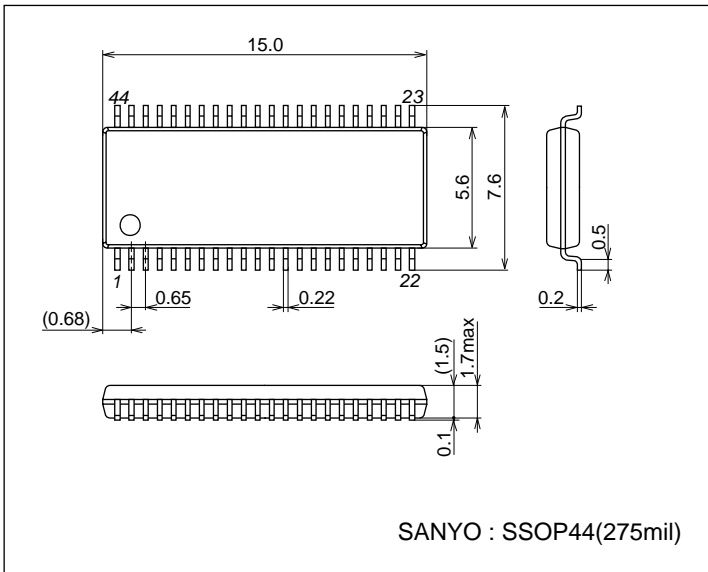
## Design guarantee Items

Parameter	Symbol	Conditions	Ratings			Unit
			min	typ	max	
Mute attenuation	VMUTEV	VIN = 1Vp-p, f = 4.43MHz		-60	-50	dB
Cross-talk between channel	VCTKV	VIN = 1Vp-p, f = 4.43MHz Driver output terminated with 75Ω.		-60	-50	dB

Package Dimensions

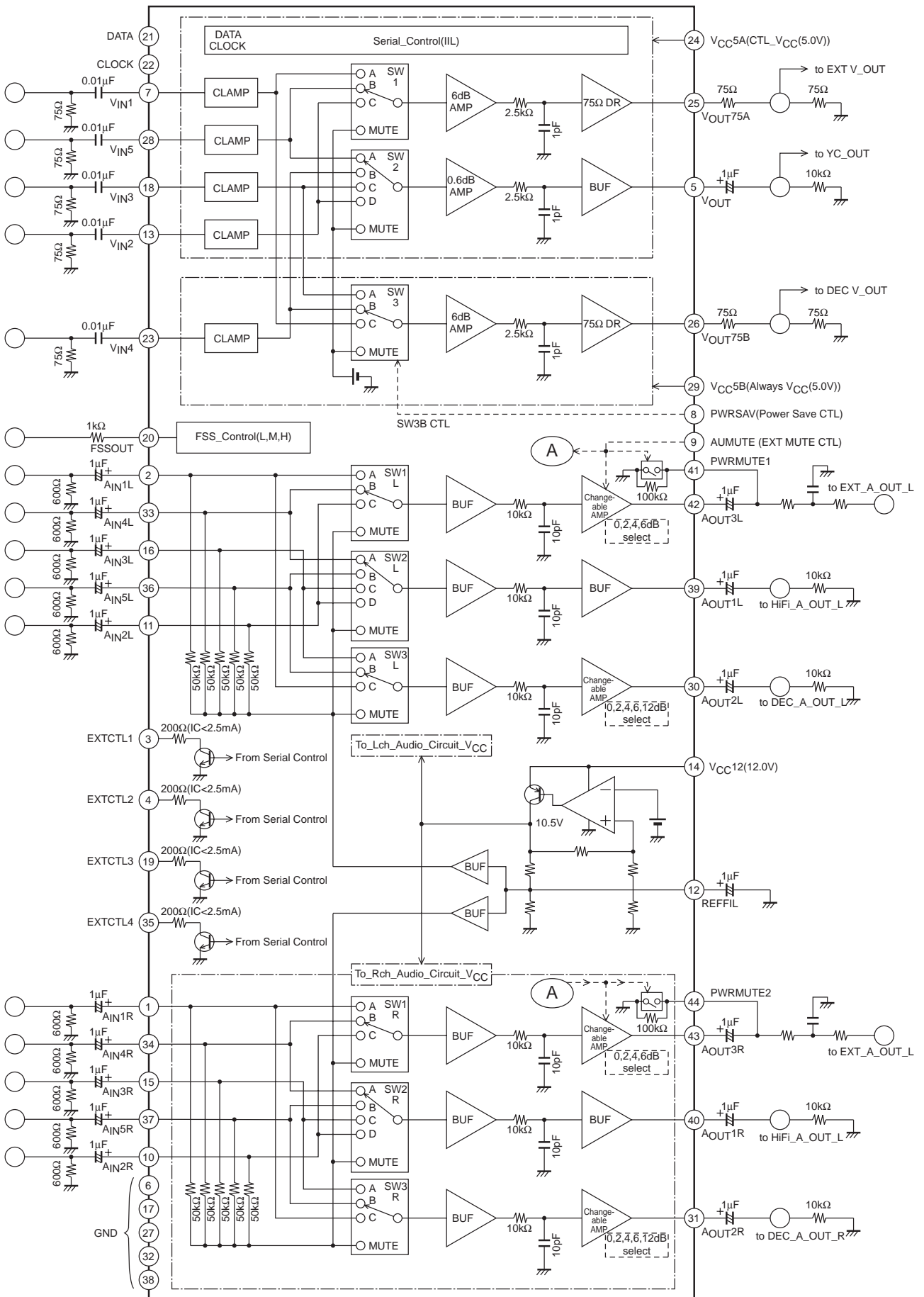
unit : mm (typ)

3277



# LA73026AV

## Block Diagram



# LA73026AV

## Pin Function

Pin No.	Pin name	Function	DC voltage	Equivalent circuit
1 2 10 11 15 16 33 34 36 37	A <sub>IN</sub> 1R A <sub>IN</sub> 1L A <sub>IN</sub> 2R A <sub>IN</sub> 2L A <sub>IN</sub> 3R A <sub>IN</sub> 3L A <sub>IN</sub> 4L A <sub>IN</sub> 4R A <sub>IN</sub> 5L A <sub>IN</sub> 5R	Audio input terminal.	5.58V	
3 4 19 35	EXTCTL1 EXTCTL2 EXTCTL3 EXTCTL4	General purpose output. Open collector.	2.5mA, ON → 0.75V  OFF → OPEN	
5	V <sub>OUT</sub>	Video output terminal. Push-pull output Low-impedance.	1.10V	<div style="display: flex; justify-content: space-around; margin-top: 10px;"> <div style="text-align: center;"> <p><b>Output Pin DC Signal wave form (AmpGain 0dB)</b></p> </div> <div style="text-align: center;"> <p><b>Output Pin DC Signal wave form (AmpGain 6dB)</b></p> </div> </div>
6 17 27 32 38	GND GND GND GND GND	(EXT-75Ω Driver) (DEC-75Ω Driver)	0V	

Continued on next page.

# LA73026AV

Continued from preceding page.

Pin No.	Pin name	Function	DC voltage	Equivalent circuit
7 13 18 23 28	$V_{IN1}$ $V_{IN2}$ $V_{IN3}$ $V_{IN4}$ $V_{IN5}$	Video input terminal. Sync-tip clamp input Hi-impedance.	1.8V	
		<b>Input Signal wave form</b> 		<b>Input Pin DC Signal wave form</b> 
8	PWRSAV	Power save mode select pin. OPEN: L	0.2V	
9	AUMUTE	Control terminal for audio mute. OPEN: LOW	0.05V	
12	REFFIL	Terminal for Ref_DC ripple removing.	4.94V	
14	$V_{CC12}$	$V_{CC}$ for audio.		

Continued on next page.

# LA73026AV

Continued from preceding page.

Pin No.	Pin name	Function	DC voltage	Equivalent circuit
20	FSSOUT	FSS control terminal. Output H, M, L 3 values with serial control.	H: $V_{CC}-0.5V$  M: 6V  L: 0V	
21	DATA	Serial data input terminal. Conformed to I <sup>2</sup> C BUS.		
22	CLOCK	Serial clock input terminal. Conformed to I <sup>2</sup> C BUS.		
24	$V_{CC5A}$	Control $V_{CC}$ for Video. Power save → open		
25 26	$V_{OUT75A}$ $V_{OUT75B}$	Video driver output terminal. Push-pull output Low-impedance.	1.10V	
				<p><b>Output Pin DC Signal wave form</b></p>
29	$V_{CC5B}$	Always $V_{CC}$ for Video.		

Continued on next page.

# LA73026AV

Continued from preceding page.

Pin No.	Pin name	Function	DC voltage	Equivalent circuit
30 31 42 43	AOUT2L AOUT2R AOUT3L AOUT3R	Audio output terminal Push-pull output Low-Impedance	4.91V	
39 40	AOUT1L AOUT1R	Audio output terminal Push-pull output Low-Impedance	4.91V	
41 44	PWRMUTE1 PWRMUTE2	Output terminal of audio muting	0V	

## Power Save

LA73024AV has two supplies 5V for Video part and 12V for audio part and FSS output. LA73024AV separates perfectly 5V system from 12V system, so it can be individually movement. For example when in the stand-by mode, if you open 14 pins but 5V supplies 24 and 29 pins, Video part and serial control part work normally. In this case audio part and FSS output don't work normally. And when you pull up 8pin and open 24 pin, IC chooses automatically video sw3-B. Consequently Ext input and Decoder output only move, you can save more power dissipation.

## Audio Mute

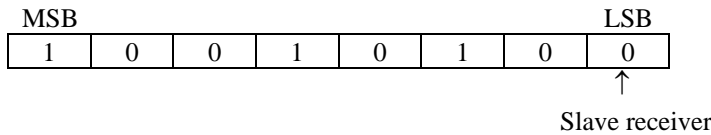
LA73024AV builds in two mute transistors for reduce audio pop-noise when occur at power on and off. You can control both on serial control and on external parallel control for audio mute.



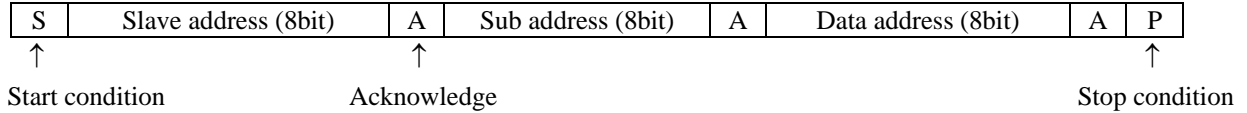
# LA73026AV

## Serial Control Specification

Slave address



Data format



Sub address and data byte table

Sub address Hexadecimal	Data byte (Underline is initial setting.)							
	MSB							LSB
	D8	D7	D6	D5	D4	D3	D2	D1
01 (0000 0001)	SW1 00: C <u>01: B</u> 10: A 11: A		SW2 00: D 01: C 10: B 11: A		SW3 00: C <u>01: B</u> 10: A 11: *		FSSOUT 00: HIGH 01: HIGH 10: MID 11: LOW	
02 (0000 0010)	EXT CTL1  <u>0: L</u> 1: H	EXT CTL2  <u>0: L</u> 1: H	AMP GAIN VPS OUT  <u>0: 0dB</u> 1: 6dB	AUDIO AMP GAIN1 (DEC OUT) 000: 0dB <u>001: 2dB</u> 010: 4dB 011: 6dB 100: 12dB			AUDIO AMP GAIN2 (EXT OUT) 00: 0dB <u>01: 2dB</u> 10: 4dB 11: 6dB	
03 (0000 0011)	MUTE1 VSW1 OUT 0: through <u>1: MUTE</u>	MUTE2 VSW2 OUT 0: through <u>1: MUTE</u>	MUTE3 VSW3 OUT 0: through <u>1: MUTE</u>	MUTE4 ASW1 OUT 0: through <u>1: MUTE</u>	MUTE5 ASW2 OUT 0: through <u>1: MUTE</u>	MUTE6 ASW3 OUT 0: through <u>1: MUTE</u>	EXT CTL3  <u>0: L</u> 1: H	EXT CTL4  <u>0: L</u> 1: H

Data transfer

I<sup>2</sup>C-BUS control system is adopted in SW IC and SW IC is controlled by SCL (Serial Clock) and SDA (Serial Data) At first, please set up the START condition\*<sup>1</sup> by these two terminals (SCL and SDA). And next, please input the 8bits data which should be synchronized with SCL into SDA terminal. Still more, please give priority to high rank bit at data transfer order (MSB → LSB). The 9th bit is called as ACK (Acknowledge), SW IC sends [0] to the SDA terminal during SCL [1] period. So, please open the port of micro-processor during this period. LA73026AV adopt auto-increment, so you input only first sub-address data (called as Group) and you can transfer data in order. As thus the Data transfer Stop condition\*<sup>2</sup> is finished.

\*<sup>1</sup> SDA rise up during SCI is [1]

\*<sup>2</sup> SDA fall down during SCL is [1]

# LA73026AV

## Transfer data format

The transfer data is composed by START condition, Slave address data<sup>\*3</sup>, and STOP condition.

After setting up the START condition, please transfer the Slave Address (regulated as “10010100” in SW IC). Group and next control data (Please see “Data structure”)

Slave Address is composed by 7bits, and this bit 8th bit<sup>\*4</sup> should be set as [0].

But SW IC is not equipped with such a data out function, please keep this bit as [0].

The both of Group data and control data are composed by 8bits, and the one control action is defined with combination of these two data. And if you want to control 2 or more groups at the same mode, you can realize it by sending some control data together.

The data makes meaning with all bits, so you cannot stop the sending until all data transfer is over. But LA73026AV adopt auto-increment, for example you can stop to transfer STOP condition after group 2 data . If you want to stop transfer action, please transfer the STOP condition without fail.

<sup>\*3</sup> There are 3 control groups.

<sup>\*4</sup> This 8th bit called as R/W bit, and this bit shows the data transmission direction. [0] means send mode (accept mode with SW IC) and [1] means accept mode (send mode with SW IC) fundamentally.

## Data structure

START condition	Slave Address	R/W	ACK	Group	ACK	Control data	ACK	...	STOP condition
-----------------	---------------	-----	-----	-------	-----	--------------	-----	-----	----------------

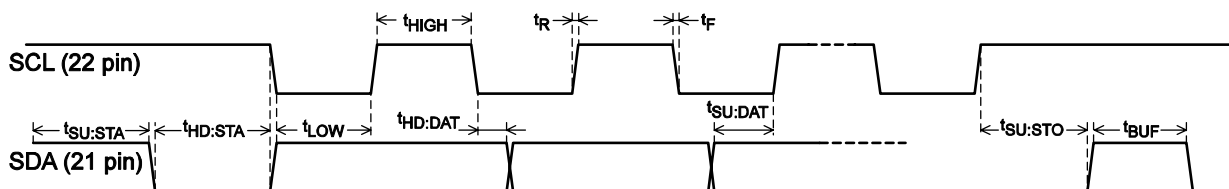
## Initialize

SW IC is initialized as the following mode for circuit protection. Please see “Sub address and data byte table” on page 9.

## Characteristics of the SDA and SCL 1/0 stages for SW IC

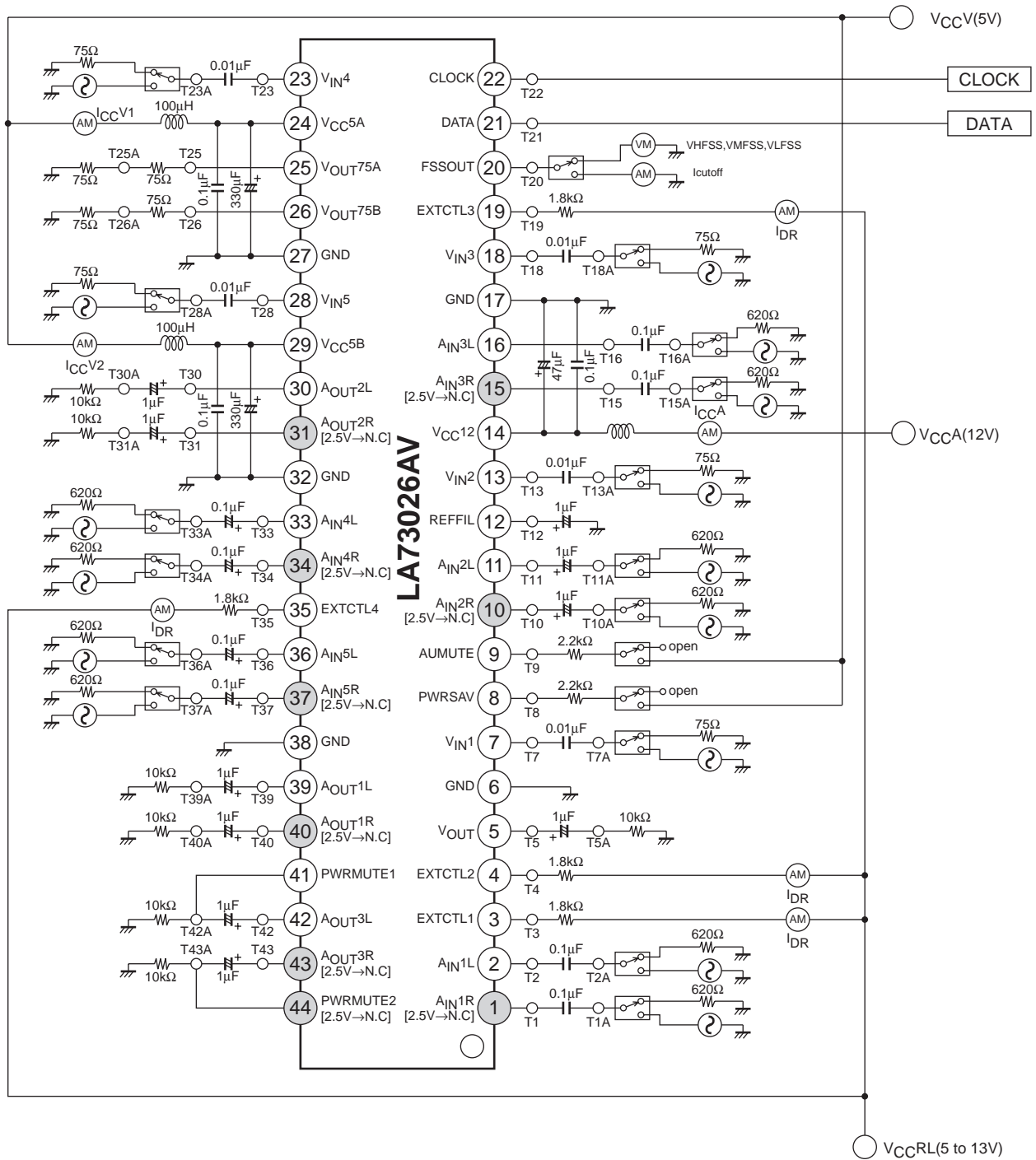
Parameter	Symbol	Min	Max	Unit
LOW level input voltage	$V_{IL}$	0	1.0	V
HIGH level input voltage	$V_{IH}$	2.0	5.0	V
LOW level output current	$I_{OL}$		3.0	mA
SCL clock frequency	$f_{SCL}$		100	kHz
Set-up time for a repeated START condition	$t_{SU: STA}$	4.7		$\mu s$
Hold time START condition. After this period, the first clock pulse is generated.	$t_{HD: STA}$	4.0		$\mu s$
LOW period of the SCL clock	$t_{LOW}$	4.7		$\mu s$
Rise time of both SDA and SDL signals	$t_R$	0	1.0	$\mu s$
HIGH period of the SCL clock	$t_{HIGH}$	4.0		$\mu s$
Fall time of both SDA and SDL signals	$t_F$	0	1.0	$\mu s$
Data hold time	$t_{HD: DAT}$	0		$\mu s$
Data set-up time	$t_{SU: DAT}$	250		ns
Set-up time for STOP condition	$t_{SU: STO}$	4.0		$\mu s$
BUS free time between a STOP and START condition	$t_{BUF}$	4.7		$\mu s$

## Definition of timing



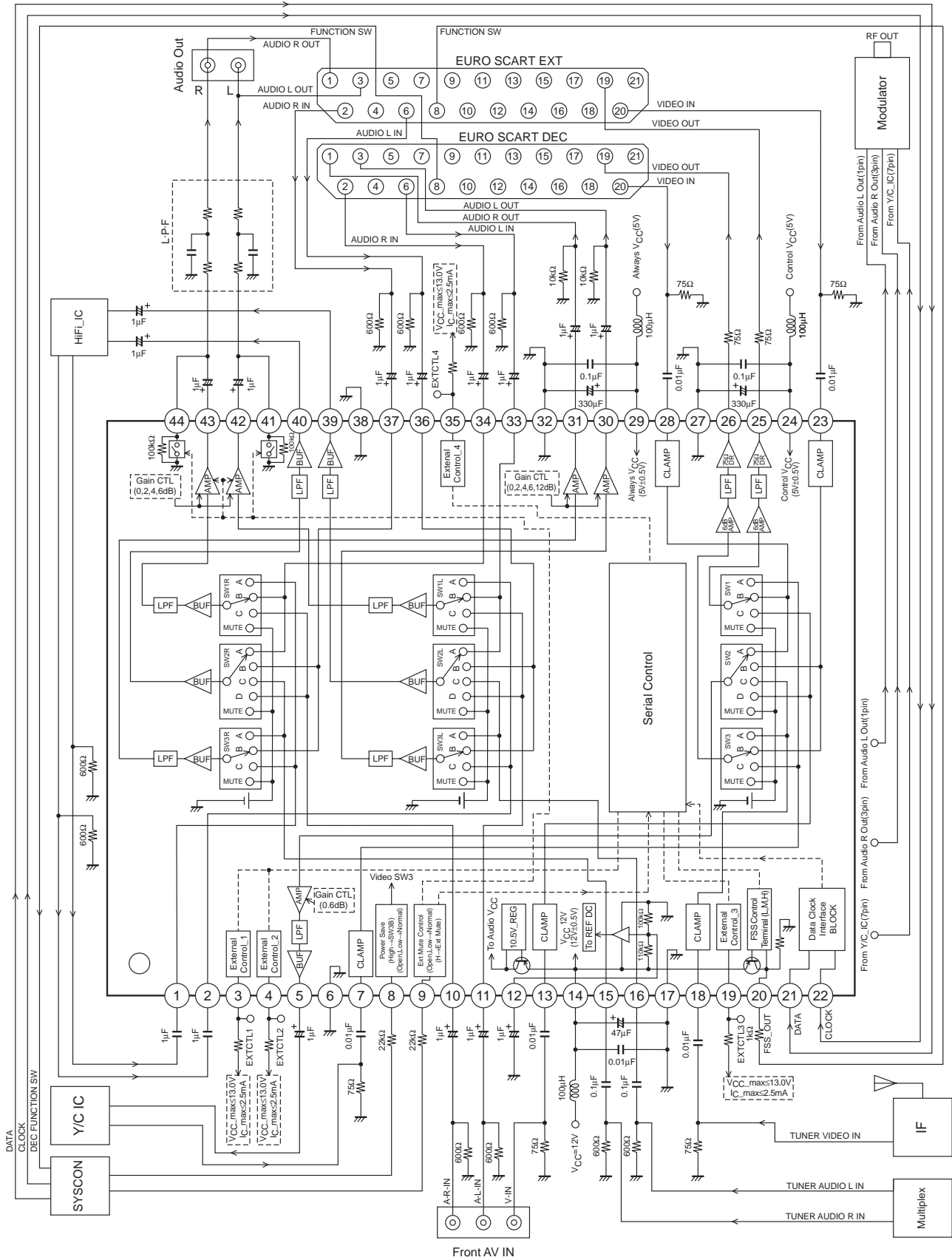
# LA73026AV

## Test Circuit



# LA73026AV

## Sample Application Circuit



- Specifications of any and all SANYO Semiconductor products described or contained herein stipulate the performance, characteristics, and functions of the described products in the independent state, and are not guarantees of the performance, characteristics, and functions of the described products as mounted in the customer's products or equipment. To verify symptoms and states that cannot be evaluated in an independent device, the customer should always evaluate and test devices mounted in the customer's products or equipment.
- SANYO Semiconductor Co., Ltd. strives to supply high-quality high-reliability products. However, any and all semiconductor products fail with some probability. It is possible that these probabilistic failures could give rise to accidents or events that could endanger human lives, that could give rise to smoke or fire, or that could cause damage to other property. When designing equipment, adopt safety measures so that these kinds of accidents or events cannot occur. Such measures include but are not limited to protective circuits and error prevention circuits for safe design, redundant design, and structural design.
- In the event that any or all SANYO Semiconductor products (including technical data, services) described or contained herein are controlled under any of applicable local export control laws and regulations, such products must not be exported without obtaining the export license from the authorities concerned in accordance with the above law.
- No part of this publication may be reproduced or transmitted in any form or by any means, electronic or mechanical, including photocopying and recording, or any information storage or retrieval system, or otherwise, without the prior written permission of SANYO Semiconductor Co., Ltd.
- Any and all information described or contained herein are subject to change without notice due to product/technology improvement, etc. When designing equipment, refer to the "Delivery Specification" for the SANYO Semiconductor product that you intend to use.
- Information (including circuit diagrams and circuit parameters) herein is for example only; it is not guaranteed for volume production. SANYO Semiconductor believes information herein is accurate and reliable, but no guarantees are made or implied regarding its use or any infringements of intellectual property rights or other rights of third parties.

This catalog provides information as of June, 2006. Specifications and information herein are subject to change without notice.