

SG5841J — Highly Integrated Green-Mode PWM Controller

Features

- Green-Mode PWM Controller
- Low Startup Current : 14µA
- Low Operating Current: 4mA
- Programmable PWM Frequency with Hopping
- Peak-Current-Mode Control
- Cycle-by-Cycle Current Limiting
- Synchronized Slope Compensation
- Leading-Edge Blanking (LEB)
- Constant Output Power Limit
- Totem Pole Output with Soft Driving
- V_{DD} Over-Voltage Clamping
- Programmable Over-Temperature Protection (OTP)
- Internal Open-Loop Protection
- V_{DD} Under-Voltage Lockout (UVLO)
- GATE Output Maximum Voltage Clamp:18V

Applications

General-purpose, switch-mode, power supplies and flyback power converters, including:

- Power Adapters
- Open-Frame SMPS

Description

The highly integrated SG5841/J series of PWM controllers provides several features to enhance the performance of flyback converters.

To minimize standby power consumption, a proprietary green-mode function provides off-time modulation to continuously decrease the switching frequency at light-load conditions. This green-mode function enables the power supply to meet international power conservation requirements. To further reduce power consumption, SG5841/J is manufactured using the BiCMOS process. This allows a low startup current, around 14µA, and an operating current of only 4mA. As a result, a large startup resistance can be used.

The built-in synchronized slope compensation achieves stable peak-current-mode control. The proprietary internal sawtooth power-limiter ensures a constant output power limit over a wide range of AC input voltages, from 90V_{AC} to 264V_{AC}.

SG5841/J provides many protections. In addition to cycle-by-cycle current limiting, the internal open-loop protection circuit ensures safety should an open-loop or output-short-circuit failure occur. PWM output is disabled until V_{DD} drops below the UVLO lower limit, then the controller restarts. An external NTC thermistor can be applied for over-temperature protection.

SG5841/J is available in an 8-pin DIP or SOP package.

Ordering Information

Part Number	Ambient Operating Temperature Range	Frequency Hopping	Eco Status	Package
SG5841JSZ	-20 to +85°C	Yes	RoHS	8-Pin Small Outline Package (SOP)
SG5841JSY	-20 to +85°C	Yes	Green	8-Pin Small Outline Package (SOP)
SG5841JDZ	-20 to +85°C	Yes	RoHS	8-Pin Dual Inline Package (DIP)
SG5841SZ	-20 to +85°C	No	RoHS	8-Pin Small Outline Package (SOP)
SG5841SY	-20 to +85°C	No	Green	8-Pin Small Outline Package (SOP)
SG5841DZ	-20 to +85°C	No	RoHS	8-Pin Dual Inline Package (DIP)

 For Fairchild's definition of "green" Eco Status, please visit: http://www.fairchildsemi.com/company/green/rohs_green.html.

Typical Application

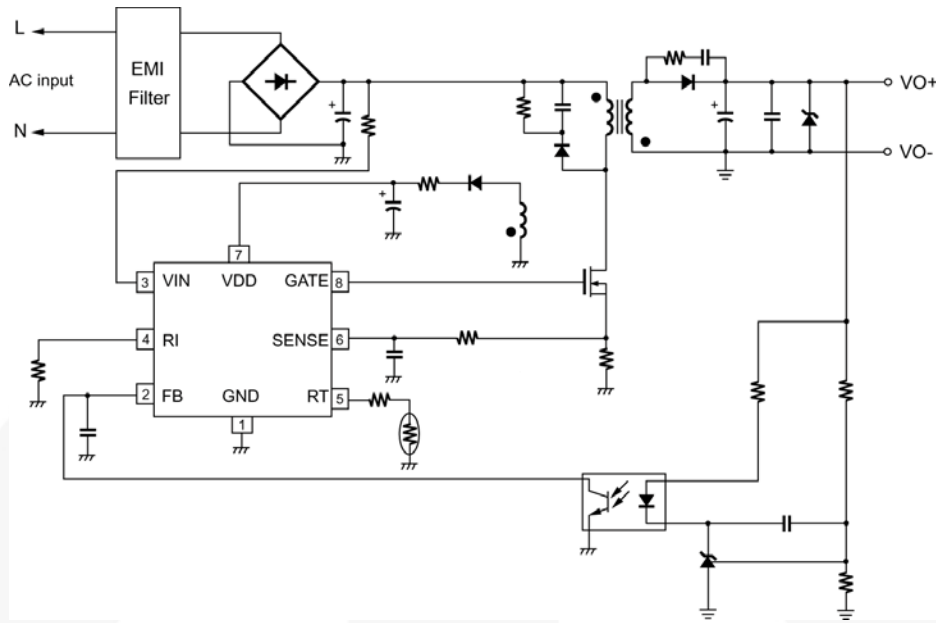


Figure 1. Application Diagram

Block Diagram

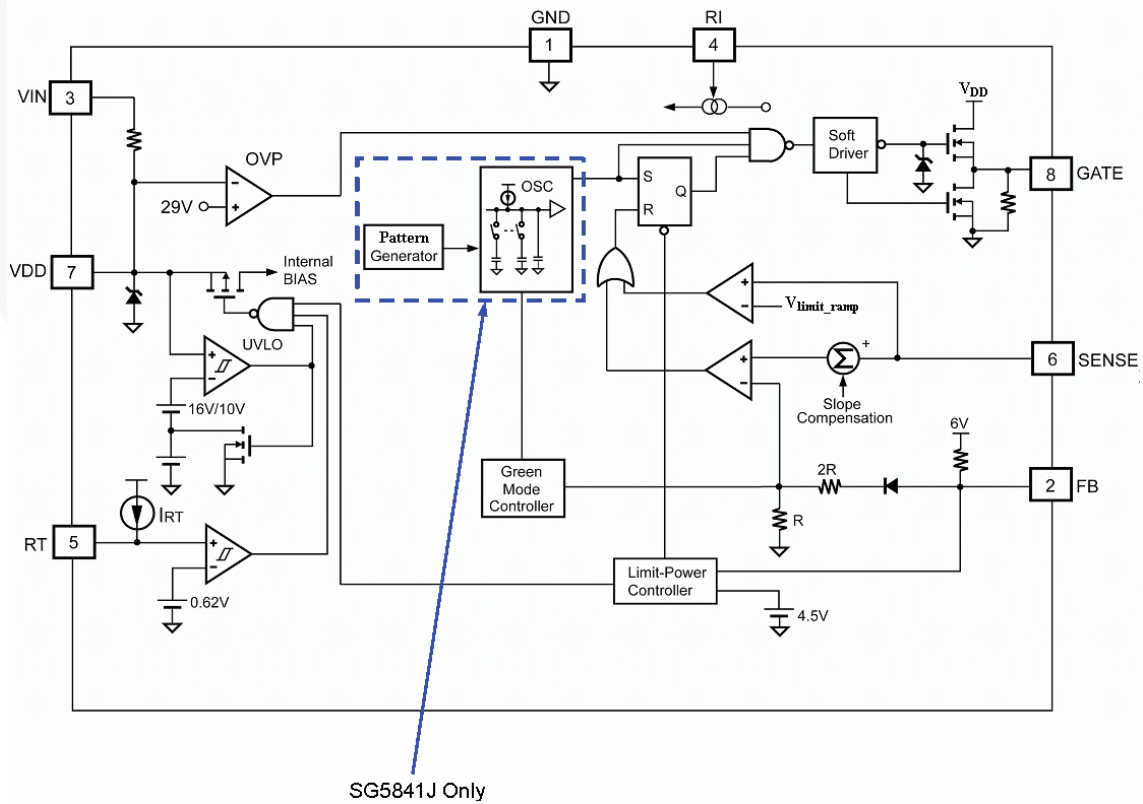


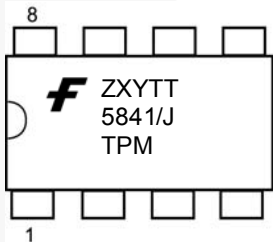
Figure 2. Block Diagram

Marking Information



marking for SG5841JSZ (pb-free)
 marking for SG5841JDZ (pb-free)
 marking for SG5841SZ (pb-free)
 marking for SG5841DZ (pb-free)

H: J = with Frequency Hopping
 Null = without Frequency Hopping
T: D = DIP, S = SOP
P: Z = Lead Free
 Null = regular package
XXXXXXXX : Wafer Lot
Y: Year; **WW:** Week
V: Assembly Location



marking for SG5841JSY (green-compound)
 marking for SG5841SY (green-compound)

F: Fairchild Logo
Z: Plant Code
X: 1 Digit Year Code
Y: 1 Digit Week Code
TT: 2 Digit Die Run Code
T: Package Type (D:DIP, S:SOP)
P: Y = Green Package
M: Manufacturing Flow Code

Figure 3. Top Mark

Pin Configuration

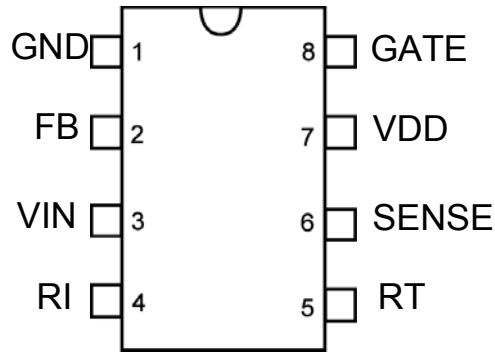


Figure 4. Pin Configuration

Pin Definitions

Pin #	Name	Function	Description
1	GND	Ground	Ground.
2	FB	Feedback	The signal from the external compensation circuit is fed into this pin. The PWM duty cycle is determined in response to the signal from this pin and the current-sense signal from pin 6. If FB voltage exceeds the threshold, the internal protection circuit disables PWM output after a predetermined delay time.
3	VIN	Startup Input	For startup, this pin is pulled HIGH to the rectified line input via a resistor. Since the startup current requirement is very small, a large startup resistance is used to minimize power loss.
4	RI	Reference Setting	A resistor connected from the RI to GND provides a constant current source. This determines the center PWM frequency. Increasing the resistance reduces PWM frequency. Using a 26KΩ resistor results in a 65KHz center PWM frequency.
5	RT	Temperature Detection	For over-temperature protection. An external NTC thermistor is connected from this pin to the GND pin. The impedance of the NTC decreases at high temperatures. Once the voltage of the RT pin drops below a fixed limit, PWM output is disabled.
6	SENSE	Current Sense	Current sense. The sensed voltage is used for peak-current-mode control and cycle-by-cycle current limiting.
7	VDD	Power Supply	Power supply. If V _{DD} exceeds a threshold, the internal protection circuit disables PWM output.
8	GATE	Driver Output	The totem-pole output driver for the power MOSFET, which is internally clamped below 18V.

Absolute Maximum Ratings

Stresses exceeding the absolute maximum ratings may damage the device. The device may not function or be operable above the recommended operating conditions and stressing the parts to these levels is not recommended. In addition, extended exposure to stresses above the recommended operating conditions may affect device reliability. The absolute maximum ratings are stress ratings only. All voltage values, except differential voltages, are given with respect to GND pin.

Symbol	Parameter	Min.	Max.	Unit
V _{DD}	Supply Voltage		30	V
V _{IN}	Input Terminal		30	V
V _{FB}	Input Voltage to FB Pin	-0.3	7.0	V
V _{SENSE}	Input Voltage to SENSE Pin	-0.3	7.0	V
V _{RT}	Input Voltage to RT Pin	-0.3	7.0	V
V _{RI}	Input Voltage to RI Pin	-0.3	7.0	V
P _D	Power Dissipation (T _A < 50°C)	DIP	800	mW
		SOP	400	
θ _{JA}	Thermal Resistance (Junction-to-Air)	DIP	82.5	°C/W
		SOP	141	
θ _{JC}	Thermal Resistance (Junction-to-Case)	DIP	59.7	°C/W
		SOP	80.8	
T _J	Operating Junction Temperature	-40	+125	°C
T _{STG}	Storage Temperature Range	-55	+150	°C
T _L	Lead Temperature (Wave Soldering or Infrared, 10 Seconds)		260	°C
ESD	Human Body Model, JESD22-A114		3	kV
	Charged Device Model, JESD22-C101		250	V

Recommended Operating Conditions

The Recommended Operating Conditions table defines the conditions for actual device operation. Recommended operating conditions are specified to ensure optimal performance to the datasheet specifications. Fairchild does not recommend exceeding them or designing to Absolute Maximum Ratings.

Symbol	Parameter	Min.	Max.	Unit
T _A	Operating Ambient Temperatures	-20	+85	°C

Electrical Characteristics

$V_{DD} = 15V$, $T_A = 25^\circ C$, unless otherwise noted.

Symbol	Parameter	Conditions	Min.	Typ.	Max.	Units	
V_{DD} Section							
V_{DD-OP}	Continuously Operating Voltage				24.7	V	
V_{DD-ON}	Start Threshold Voltage		15	16	17	V	
V_{DD-OFF}	Minimum Operating Voltage		9	10	11	V	
I_{DD-ST}	Startup Current	$V_{DD}=V_{DD-ON}-0.16V$		14	30	μA	
I_{DD-OP}	Operating Supply Current	$V_{DD}=15V$, $R_I=26K\Omega$, $GATE=OPEN$		4	5	mA	
$V_{DD-CLAMP}$	V_{DD} Over-Voltage-Clamping Level		28	29		V	
$t_{D-VDDCLAMP}$	V_{DD} Over-Voltage-Clamping Debounce Time	$R_I=26K\Omega$	50	100	200	μs	
R_I Section							
R_{I-NOR}	R_I Operating Range		15.5		36.0	$K\Omega$	
R_{I-MAX}	Maximum R_I Value for Protection			230		$K\Omega$	
R_{I-MIN}	Minimum R_I Value for Protection			10		$K\Omega$	
Oscillator Section							
f_{OSC}	Normal PWM Frequency	Center Frequency	$R_I=26K\Omega$	62	65	68	KHz
		Hopping Range	$R_I=26K\Omega$ (SG5841J only)	± 3.7	± 4.2	± 4.7	
t_{HOP}	Hopping Period		$R_I=26K\Omega$ (SG5841J only)	3.9	4.4	4.9	ms
f_{OSC-G}	Green-Mode Frequency		$R_I=26K\Omega$	18	22	25	KHz
f_{DV}	Frequency Variation vs. V_{DD} Deviation		$V_{DD}=11.5V$ to $24.7V$			5	%
f_{DT}	Frequency Variation vs. Temperature Deviation		$T_A=-20$ to $+85^\circ C$			5	%
Feedback Input Section							
A_V	FB Input to Current Comparator Attenuation			1/3.75	1/3.20	1/2.75	V/V
Z_{FB}	Input Impedance			4		7	$K\Omega$
$V_{FB-OPEN}$	FB Output High Voltage	FB pin open		5	6		V
V_{FB-OLP}	FB Open-Loop Trigger Level			4.2	4.5	4.8	V
t_{D-OLP}	Delay Time of FB Pin Open-Loop Protection	$R_I=26K\Omega$		26	29	32	ms
V_{FB-N}	Green-Mode Entry FB Voltage	$R_I=26K\Omega$		1.9	2.1	2.3	V
V_{FB-G}	Green-Mode Ending FB Voltage	$R_I=26K\Omega$			$V_{FB-N}-0.5$		V

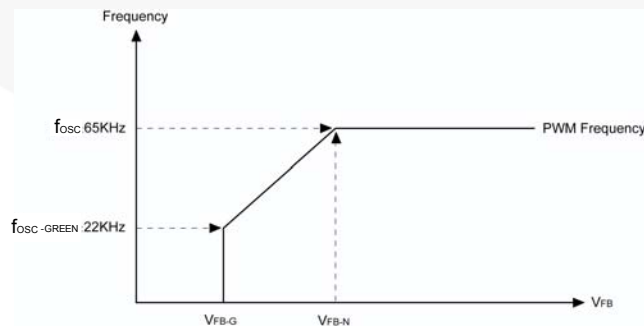


Figure 5. PWM Frequency

Electrical Characteristics (Continued) $V_{DD} = 15V$, $T_A = 25^\circ C$, unless otherwise noted.

Symbol	Parameter	Conditions	Min.	Typ.	Max.	Unit
Current-Sense Section						
Z_{SENSE}	Input Impedance			12		K Ω
V_{STHFL}	Current Limit Flatten Threshold Voltage		0.85	0.90	0.95	V
V_{STHVA}	Current Limit Valley Threshold Voltage	$V_{STHFL} - V_{STHVA}$		0.22		V
t_{PD}	Propagation Delay to GATE Output	$R_I = 26K\Omega$		150	200	ns
t_{LEB}	Leading-Edge Blanking Time	$R_I = 26K\Omega$	200	270	350	ns
GATE Section						
DCY_{MAX}	Maximum Duty Cycle		60	65	70	%
V_{GATE-L}	Output Voltage Low	$V_{DD} = 15V$, $I_O = 50mA$			1.5	V
V_{GATE-H}	Output Voltage High	$V_{DD} = 12.5V$, $I_O = 50mA$	7.5			V
t_r	Rising Time	$V_{DD} = 15V$, $C_L = 1nF$	150	250	350	ns
t_f	Falling Time	$V_{DD} = 15V$, $C_L = 1nF$	30	50	90	ns
I_O	Peak Output Current	$V_{DD} = 15V$, $GATE = 6V$	230			mA
$V_{GATE-CLAMP}$	Gate Output Clamping Voltage	$V_{DD} = 24.7V$		18	19	V
RT Section						
I_{RT}	Output Current of RT Pin	$R_I = 26K\Omega$	92	100	108	μA
V_{RTTH}	Trigger Voltage for Over-Temperature Protection		0.585	0.620	0.655	V
V_{RT-RLS}	OTP Release Voltage			$V_{RTTH} + 0.03$		V
t_{D-OTP}	Over-Temperature Debounce	$R_I = 26K\Omega$	60	100	140	μs

Typical Performance Characteristics

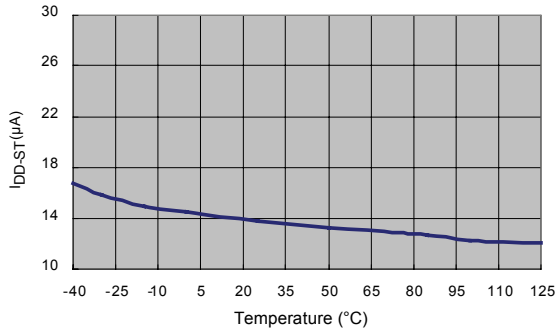


Figure 6. Startup Current (I_{DD-ST}) vs. Temperature

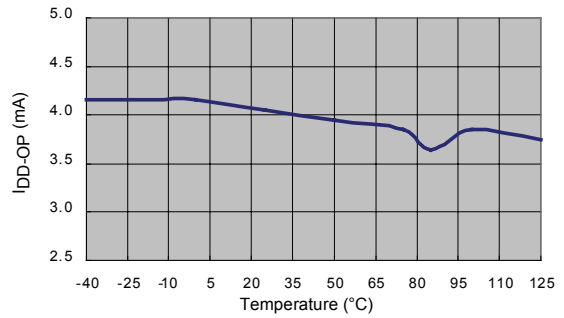


Figure 7. Operating Supply Current (I_{DD-OP}) vs. Temperature

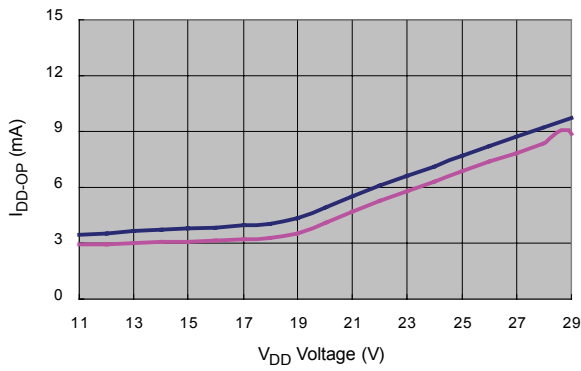


Figure 8. Operating Current (I_{DD-OP}) vs. V_{DD} Voltage

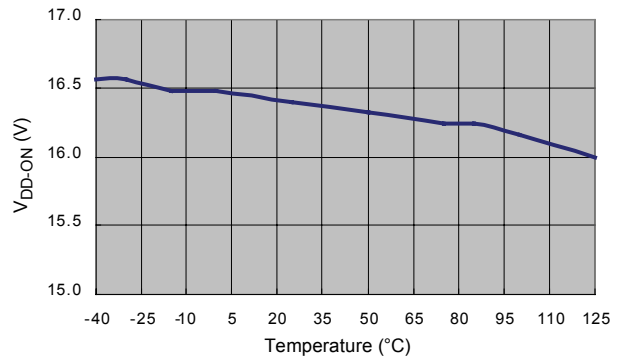


Figure 9. Start Threshold Voltage (V_{DD-ON}) vs. Temperature

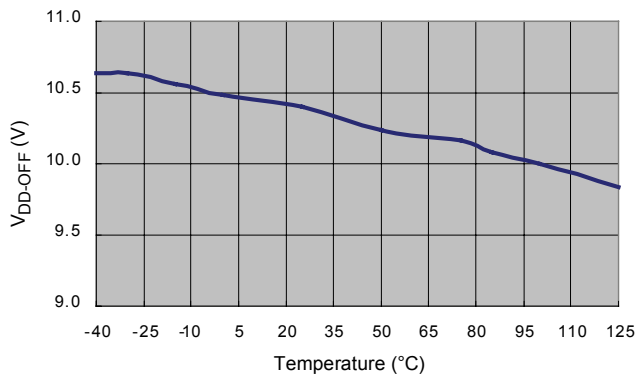


Figure 10. Minimum Operating Voltage (V_{DD-ON}) vs. Temperature

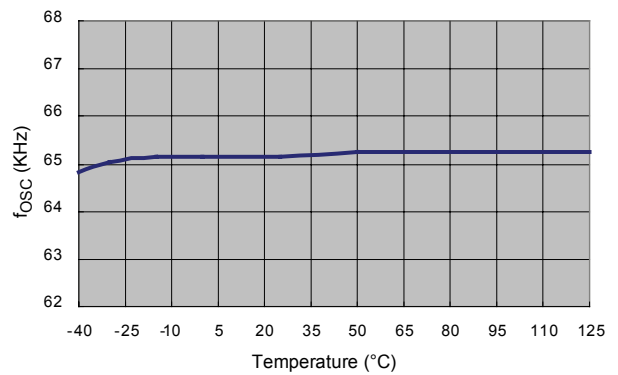


Figure 11. PWM Frequency (f_{osc}) vs. Temperature

Typical Performance Characteristics (Continued)

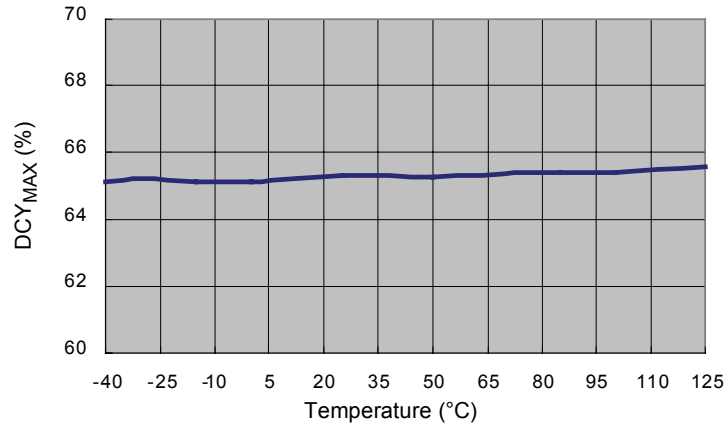


Figure 12. Maximum Duty Cycle (DCY_{MAX}) vs. Temperature

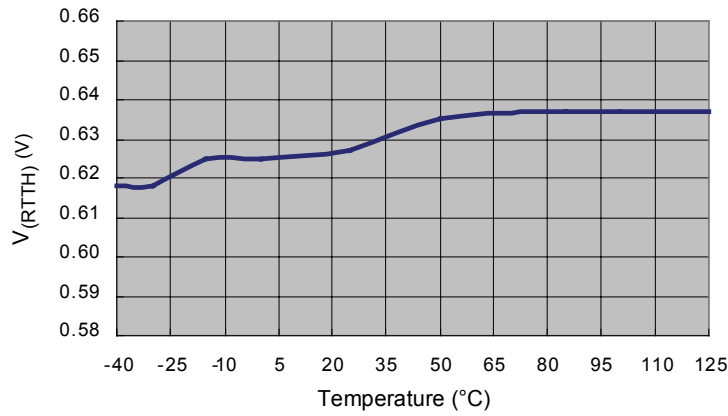


Figure 13. Trigger Voltage for Over-Temperature Protection V_{RTTH} vs. Temperature

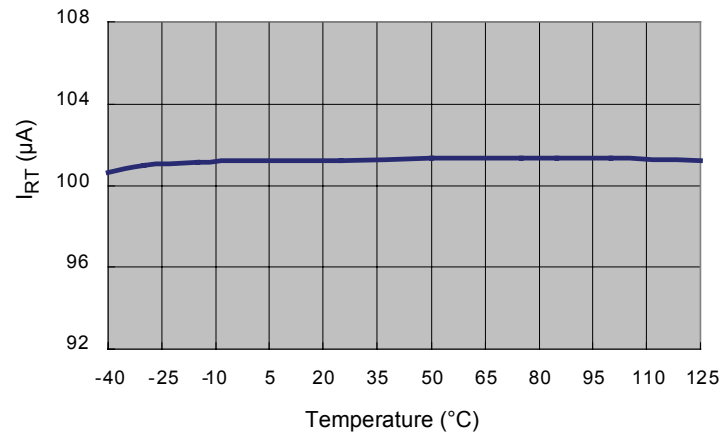


Figure 14. Output Current of RT Pin (I_{RT}) vs. Temperature

Functional Description

Startup Current

Typical startup current is only 14µA, which allows a high-resistance and low-wattage startup resistor to minimize power loss. For an AC/DC adapter with universal input range, a 1.5MΩ, 0.25W startup resistor and a 10µF/25V V_{DD} hold-up capacitor are enough for this application.

Operating Current

Operating current is around 4mA. The low operating current enables better efficiency and reduces the requirement of V_{DD} hold-up capacitance.

Green-Mode Operation

The proprietary green-mode function provides off-time modulation to continuously decrease the PWM frequency under light-load conditions. To avoid acoustic noise problems, the minimum PWM frequency is set above 22KHz. Green mode dramatically reduces power consumption under light-load and zero-load conditions. Power supplies using a SG5841/J controller can meet restrictive international regulations regarding standby power consumption.

Oscillator Operation

A resistor connected from the RI pin to the GND pin generates a constant current source for the SG5841/J controller. This current is used to determine the center PWM frequency. Increasing the resistance reduces PWM frequency. Using a 26KΩ resistor, R_I, results in a corresponding 65KHz PWM frequency. The relationship between R_I and the switching frequency is:

$$f_{PWM} = \frac{1690}{R_I \text{ (K}\Omega\text{)}} \text{ (KHz)} \quad (1)$$

The range of the PWM oscillation frequency is designed as 47KHz ~ 109KHz.

SG5841J also integrates a frequency hopping function internally. The frequency variation ranges from around 62KHz to 68KHz for a center frequency of 65KHz. The frequency-hopping function helps reduce EMI emission of a power supply with minimum line filters.

Current Sensing / PWM Current Limiting

Peak-current-mode control is utilized in to regulate output voltage and provide pulse-by-pulse current limiting. The switch current is detected by a sense resistor into the SENSE pin. The PWM duty cycle is determined by this current-sense signal and the feedback voltage. When the voltage on the SENSE pin reaches around V_{COMP} = (V_{FB} - 1.0)/3.2, a switch cycle is terminated immediately. V_{COMP} is internally clamped to a variable voltage around 0.85V for output power limit.

Leading-Edge Blanking (LEB)

Each time the power MOSFET is switched on, a turn-on spike occurs at the sense-resistor. To avoid premature termination of the switching pulse, a leading-edge blanking time is built in. During this blanking period, the current-limit comparator is disabled and cannot switch off the gate drive.

Under-Voltage Lockout (UVLO)

The turn-on and turn-off thresholds are fixed internally at 16V and 10V. During startup, the hold-up capacitor must be charged to 16V through the startup resistor to enable the IC. The hold-up capacitor continues to supply V_{DD} before the energy can be delivered from auxiliary winding of the main transformer. V_{DD} must not drop below 10V during this startup process. This UVLO hysteresis window ensures that hold-up capacitor is adequate to supply V_{DD} during startup.

Gate Output / Soft Driving

The SG5841/J BiCMOS output stage is a fast totem-pole gate driver. Cross conduction has been avoided to minimize heat dissipation, increase efficiency, and enhance reliability. The output driver is clamped by an internal 18V Zener diode to protect power MOSFET transistors against undesirable gate over-voltage. A soft driving waveform is implemented to minimize EMI.

Built-in Slope Compensation

The sensed voltage across the current-sense resistor is used for peak-current-mode control and pulse-by-pulse current limiting. Built-in slope compensation improves stability or prevents sub-harmonic oscillation. SG5841/J inserts a synchronized, positive-going ramp at every switching cycle.

Constant Output Power Limit

When the SENSE voltage across the sense resistor, R_S, reaches the threshold voltage, around 0.85V, the output GATE drive is turned off after delay, t_{PD}. This delay introduces additional current, proportional to t_{PD} • V_{IN} / L_P. The delay is nearly constant, regardless of the input voltage V_{IN}. Higher input voltage results in larger additional current and the output power limit is higher than under low-input line voltage. To compensate this variation for a wide AC input range, a sawtooth power-limiter (saw limiter) is designed to solve the unequal power-limit problem. The saw limiter is designed as a positive ramp signal (V_{limit_ramp}) and fed to the inverting input of the OCP comparator. This results in a lower current limit at high-line inputs than at low-line inputs.

V_{DD} Over-Voltage Clamping

V_{DD} over-voltage clamping prevents damage due to abnormal conditions. If V_{DD} voltage is over the V_{DD} over-voltage clamping voltage (V_{DD-CLAMP}) and lasts for t_{D-VDDCLAMP}, the PWM pulses are disabled until the V_{DD} drops below the V_{DD} over-voltage clamping voltage.

Thermal Protection

An NTC thermistor R_{NTC} in series with a resistor R_A can be connected from the RT pin to ground. A constant current I_{RT} is output from pin RT. The voltage on the RT pin can be expressed as $V_{RT} = I_{RT} \times (R_{NTC} + R_A)$, in which $I_{RT} = 2 \times (1.3V / R_i)$. At high ambient temperature, R_{NTC} is smaller, such that V_{RT} decreases. When V_{RT} is less than 0.62V, the PWM is completely turned off.

Limited Power Control

The FB voltage increases every time the output of the power supply is shorted or overloaded. If the FB voltage remains higher than a built-in threshold for longer than t_{D-OLP} , PWM output is turned off. As PWM output is turned off, the supply voltage V_{DD} begins decreasing.

$$t_{D-OLP} \text{ (ms)} = 1.115 \times R_I \text{ (K}\Omega\text{)} \quad (2)$$

When V_{DD} goes below the turn-off threshold (e.g. 10V) the controller totally shuts down. V_{DD} is charged up to the turn-on threshold voltage of 16V through the startup resistor until PWM output is restarted. This protection remains activated as long as the overloading condition persists. This prevents the power supply from overheating due to overloading conditions.

Noise Immunity

Noise on the current-sense or control signal may cause significant pulse-width jitter, particularly in the continuous-conduction mode. Slope compensation helps alleviate this problem. Good placement and layout practices should be followed. Avoiding long PCB traces and component leads, locating compensation and filter components near SG5841/J, and increasing power MOS gate resistance improve performance.

Reference Circuit

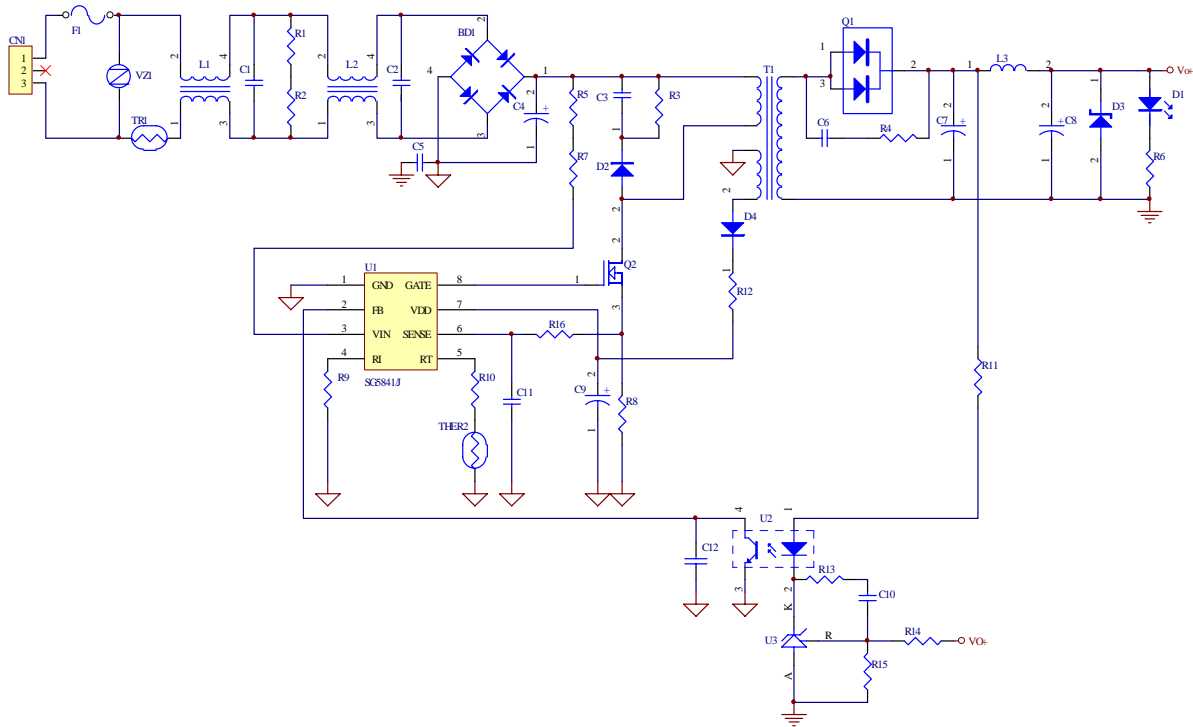


Figure 15. Reference Circuit

BOM

Reference	Component	Reference	Component
BD1	BD 4A/600V	Q2	MOS 7A/600V
C1	XC 0.68 μ F/300V	R1, R2	R 1M Ω 1/4W
C2	XC 0.1 μ F/300V	R3	R 100K Ω 1/2W
C3	CC 0.01 μ F/500V	R4	R 47 Ω 1/4W
C4	EC 120 μ /400V	R5, R7	R 750K Ω 1/4W
C5	YC 222p/250V	R6	R 2K Ω 1/8W
C6	CC 1000pF/100V	R8	R 0.3 Ω 2W
C7	EC 1000 μ F/25V	R9	R 33K Ω 1/8W
C8	EC 470 μ F/25V	R10	R 4.7K Ω 1/8W 1%
C9	EC 10 μ F/50V	R11	R 470 Ω 1/8W
C10	CC 222pF/50V	R12	R 0 Ω 1/8W
C11	CC 470pF/50V	R13	R 4.7K Ω 1/8W
C12	CC 102pF/50V (Option)	R14	R 154K Ω 1/8W
D1	LED	R15	R 39K Ω 1/8W
D2	Diode BYV95C	R16	R 100 Ω 1/8W
D3	TVS P6KE16A	THER2	Thermistor TTC104
D4	Diode FR103	T1	Transformer (600 μ H-PQ2620)
F1	FUSE 4A/250V	U1	IC SG5841/J
L1	Choke (900 μ H)	U2	IC PC817
L2	Choke (10mH)	U3	IC TL431
L3	Inductor (2 μ H)	VZ1	VZ 9G
Q1	Diode 20A/100V		

Physical Dimensions

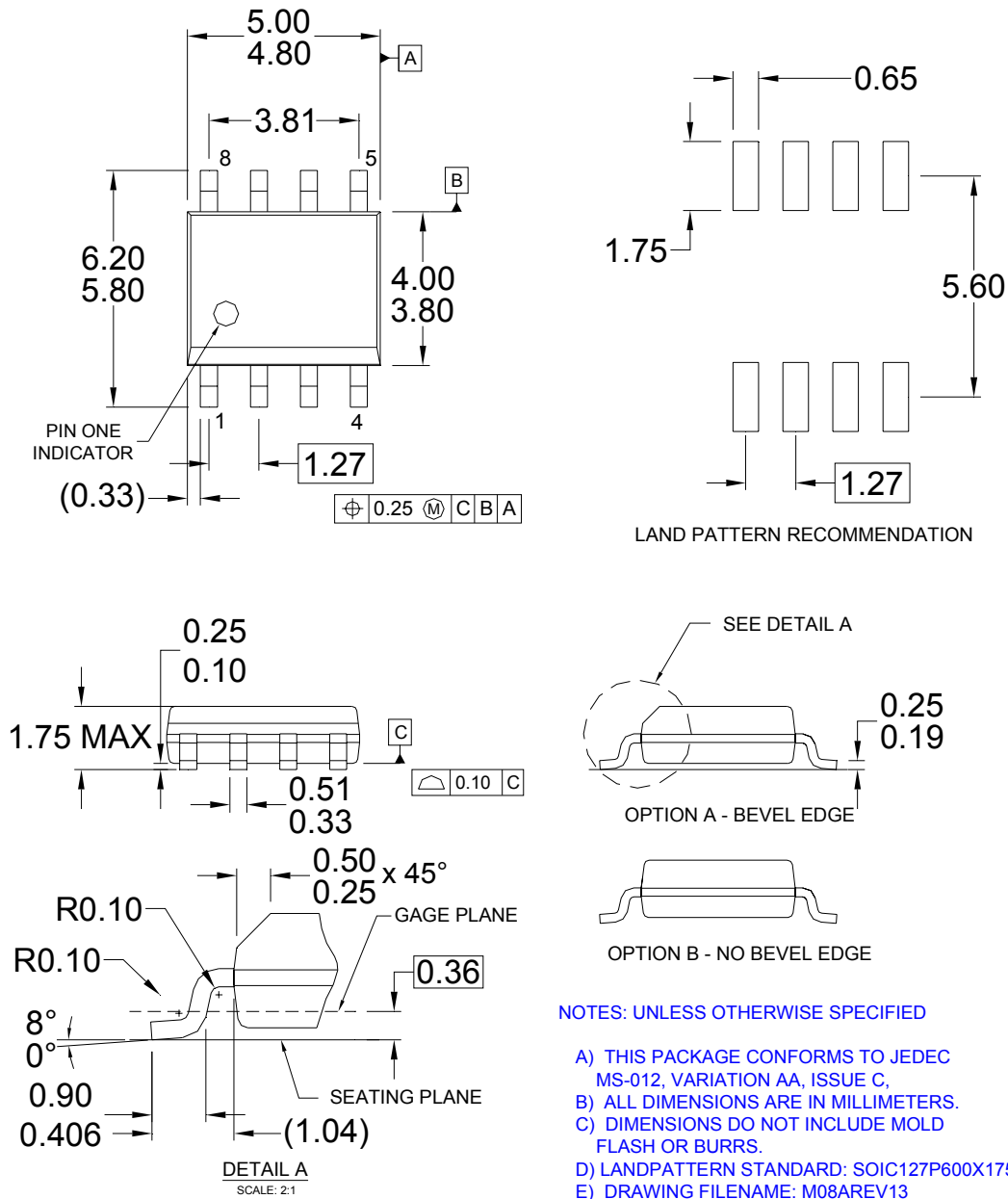
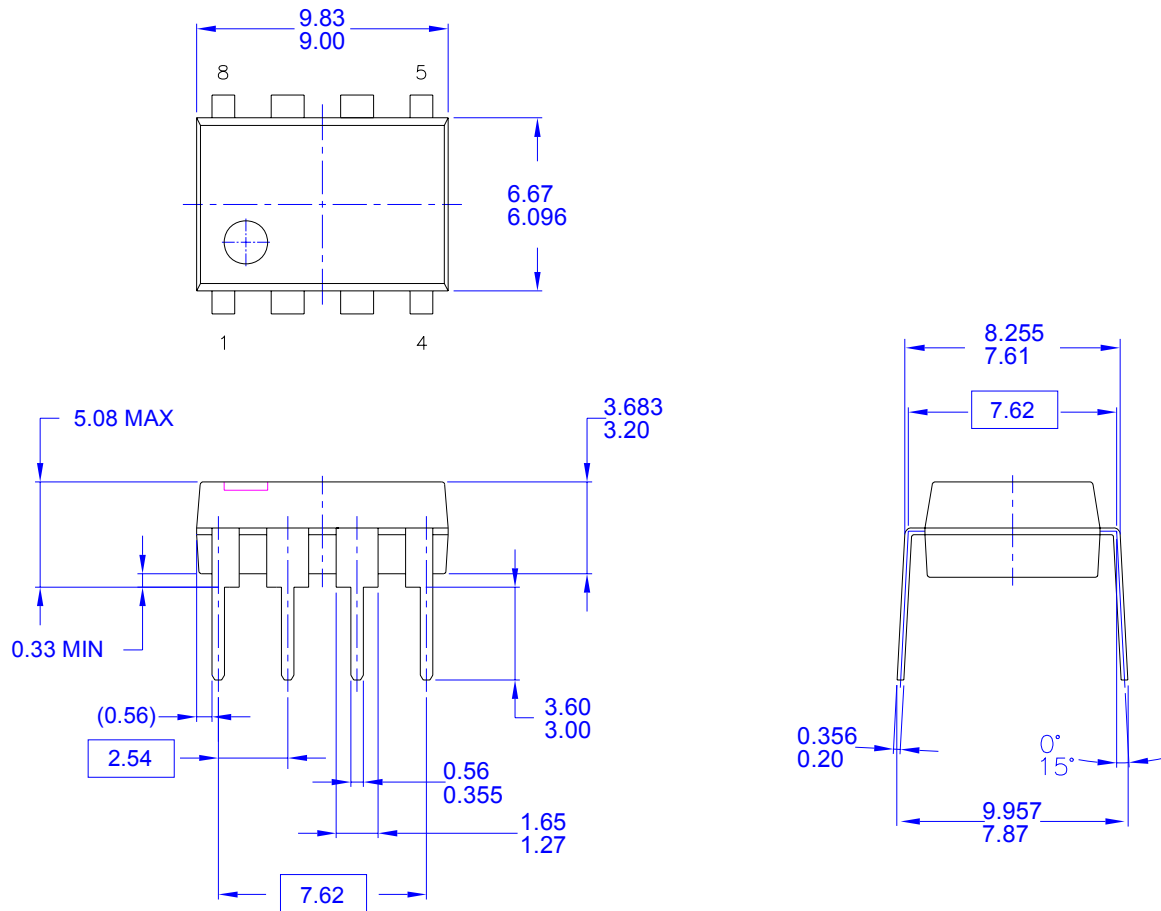


Figure 16. 8-Pin Small Outline Package (SOP)

Package drawings are provided as a service to customers considering Fairchild components. Drawings may change in any manner without notice. Please note the revision and/or date on the drawing and contact a Fairchild Semiconductor representative to verify or obtain the most recent revision. Package specifications do not expand the terms of Fairchild's worldwide terms and conditions, specifically the warranty therein, which covers Fairchild products.

Always visit Fairchild Semiconductor's online packaging area for the most recent package drawings:
<http://www.fairchildsemi.com/packaging/>

Physical Dimensions (Continued)



- NOTES: UNLESS OTHERWISE SPECIFIED
- A) THIS PACKAGE CONFORMS TO JEDEC MS-001 VARIATION BA
 - B) ALL DIMENSIONS ARE IN MILLIMETERS.
 - C) DIMENSIONS ARE EXCLUSIVE OF BURRS, MOLD FLASH, AND TIE BAR EXTRUSIONS.
 - D) DIMENSIONS AND TOLERANCES PER ASME Y14.5M-1994
 - E) DRAWING FILENAME AND REVISION: MKT-N08FREV2.

Figure 17. 8-Pin Dual In-line Package (DIP)

Package drawings are provided as a service to customers considering Fairchild components. Drawings may change in any manner without notice. Please note the revision and/or date on the drawing and contact a Fairchild Semiconductor representative to verify or obtain the most recent revision. Package specifications do not expand the terms of Fairchild's worldwide terms and conditions, specifically the warranty therein, which covers Fairchild products.

Always visit Fairchild Semiconductor's online packaging area for the most recent package drawings:
<http://www.fairchildsemi.com/packaging/>.



TRADEMARKS

The following includes registered and unregistered trademarks and service marks, owned by Fairchild Semiconductor and/or its global subsidiaries, and is not intended to be an exhaustive list of all such trademarks.

- | | | | |
|--------------------------|-------------------------------------|---------------------------------------|---|
| Build it Now™ | FRFET® | Programmable Active Droop™ | <p>TinyBoost™
TinyBuck™
TinyLogic®
TINYOPTO™
TinyPower™
TinyPWM™
TinyWire™
µSerDes™
UHC®
Ultra FRFET™
UniFET™
VCX™
VisualMax™
XS™</p> |
| CorePLUS™ | Global Power Resource SM | QFET® | |
| CorePOWER™ | Green FPST™ | QST™ | |
| CROSSVOLT™ | Green FPST™ e-Series™ | Quiet Series™ | |
| CTL™ | GTO™ | RapidConfigure™ | |
| Current Transfer Logic™ | IntelliMAX™ | ™ | |
| EcoSPARK® | ISOPANAR™ | Saving our world, 1mW/W/kW at a time™ | |
| EfficientMax™ | MegaBuck™ | SmartMax™ | |
| EZSWITCH™ * | MICROCOUPLER™ | SMART START™ | |
| ™ | MicroFET™ | SPM® | |
| ™ | MicroPak™ | STEALTH™ | |
| Fairchild® | MillerDrive™ | SuperFET™ | |
| Fairchild Semiconductor® | MotionMax™ | SuperSOT™.3 | |
| FACT Quiet Series™ | Motion-SPM™ | SuperSOT™.6 | |
| FACT® | OPTOLOGIC® | SuperSOT™.8 | |
| FAST® | OPTOPLANAR® | SupreMOS™ | |
| FastvCore™ | ™ | SyncFET™ | |
| FlashWriter® * | PDP SPM™ | ™ | |
| FPST™ | Power-SPM™ | The Power Franchise® | |
| F-PFST™ | PowerTrench® | | |
| | PowerXS™ | | |

* EZSWITCH™ and FlashWriter® are trademarks of System General Corporation, used under license by Fairchild Semiconductor.

DISCLAIMER

FAIRCHILD SEMICONDUCTOR RESERVES THE RIGHT TO MAKE CHANGES WITHOUT FURTHER NOTICE TO ANY PRODUCTS HEREIN TO IMPROVE RELIABILITY, FUNCTION, OR DESIGN. FAIRCHILD DOES NOT ASSUME ANY LIABILITY ARISING OUT OF THE APPLICATION OR USE OF ANY PRODUCT OR CIRCUIT DESCRIBED HEREIN; NEITHER DOES IT CONVEY ANY LICENSE UNDER ITS PATENT RIGHTS, NOR THE RIGHTS OF OTHERS. THESE SPECIFICATIONS DO NOT EXPAND THE TERMS OF FAIRCHILD'S WORLDWIDE TERMS AND CONDITIONS, SPECIFICALLY THE WARRANTY THEREIN, WHICH COVERS THESE PRODUCTS.

LIFE SUPPORT POLICY

FAIRCHILD'S PRODUCTS ARE NOT AUTHORIZED FOR USE AS CRITICAL COMPONENTS IN LIFE SUPPORT DEVICES OR SYSTEMS WITHOUT THE EXPRESS WRITTEN APPROVAL OF FAIRCHILD SEMICONDUCTOR CORPORATION.

As used herein:

1. Life support devices or systems are devices or systems which, (a) are intended for surgical implant into the body or (b) support or sustain life, and (c) whose failure to perform when properly used in accordance with instructions for use provided in the labeling, can be reasonably expected to result in a significant injury of the user.
2. A critical component in any component of a life support, device, or system whose failure to perform can be reasonably expected to cause the failure of the life support device or system, or to affect its safety or effectiveness.

ANTI-COUNTERFEITING POLICY

Fairchild Semiconductor Corporation's Anti-Counterfeiting Policy. Fairchild's Anti-Counterfeiting Policy is also stated on our external website, www.fairchildsemi.com, under Sales Support.

Counterfeiting of semiconductor parts is a growing problem in the industry. All manufacturers of semiconductor products are experiencing counterfeiting of their parts. Customers who inadvertently purchase counterfeit parts experience many problems such as loss of brand reputation, substandard performance, failed applications, and increased cost of production and manufacturing delays. Fairchild is taking strong measures to protect ourselves and our customers from the proliferation of counterfeit parts. Fairchild strongly encourages customers to purchase Fairchild parts either directly from Fairchild or from Authorized Fairchild Distributors who are listed by country on our web page cited above. Products customers buy either from Fairchild directly or from Authorized Fairchild Distributors are genuine parts, have full traceability, meet Fairchild's quality standards for handling and storage and provide access to Fairchild's full range of up-to-date technical and product information. Fairchild and our Authorized Distributors will stand behind all warranties and will appropriately address any warranty issues that may arise. Fairchild will not provide any warranty coverage or other assistance for parts bought from Unauthorized Sources. Fairchild is committed to combat this global problem and encourage our customers to do their part in stopping this practice by buying direct or from authorized distributors.

PRODUCT STATUS DEFINITIONS

Definition of Terms

Datasheet Identification	Product Status	Definition
Advance Information	Formative / In Design	Datasheet contains the design specifications for product development. Specifications may change in any manner without notice.
Preliminary	First Production	Datasheet contains preliminary data; supplementary data will be published at a later date. Fairchild Semiconductor reserves the right to make changes at any time without notice to improve design.
No Identification Needed	Full Production	Datasheet contains final specifications. Fairchild Semiconductor reserves the right to make changes at any time without notice to improve the design.
Obsolete	Not In Production	Datasheet contains specifications on a product that is discontinued by Fairchild Semiconductor. The datasheet is for reference information only.

Rev. 137