

**DIGITALLY CONTROLLED AUDIO PROCESSOR**

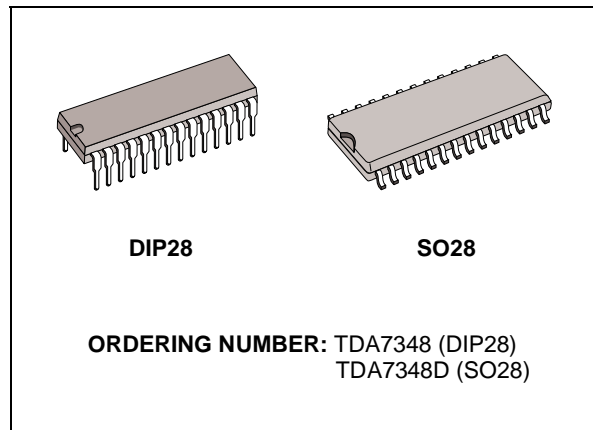
**PRODUCT PREVIEW**

- **INPUT MULTIPLEXER**
  - THREE STEREO AND ONE MONO INPUTS
  - SELECTABLE INPUT GAIN FOR OPTIMAL ADAPTATION TO DIFFERENT SOURCES
- **VOLUME CONTROL IN 0.3dB STEPS INCLUDING GAIN UP TO 20dB**
- **ZERO CROSSING MUTE AND DIRECT MUTE**
- **PAUSE DETECTOR WITH PROGRAMMABLE THRESHOLD**
- **SOFT MUTE CONTROLLED BY SOFTWARE OR HARDWARE PIN**
- **BASS AND TREBLE CONTROL**
- **FOUR SPEAKER ATTENUATORS**
  - FOUR INDEPENDENT SPEAKERS CONTROL IN 1.25dB STEPS FOR BALANCE AND FADER FACILITIES
  - INDEPENDENT MUTE FUNCTION
- **ALL FUNCTIONS PROGRAMMABLE VIA SERIAL I<sup>2</sup> CBUS**

**DESCRIPTION**

The TDA7348 is an upgrade of the TDA7318 audioprocessor.

Thanks to the used BIPOLAR/CMOS technology, very low distortion, low noise and DC-stepping are obtained.



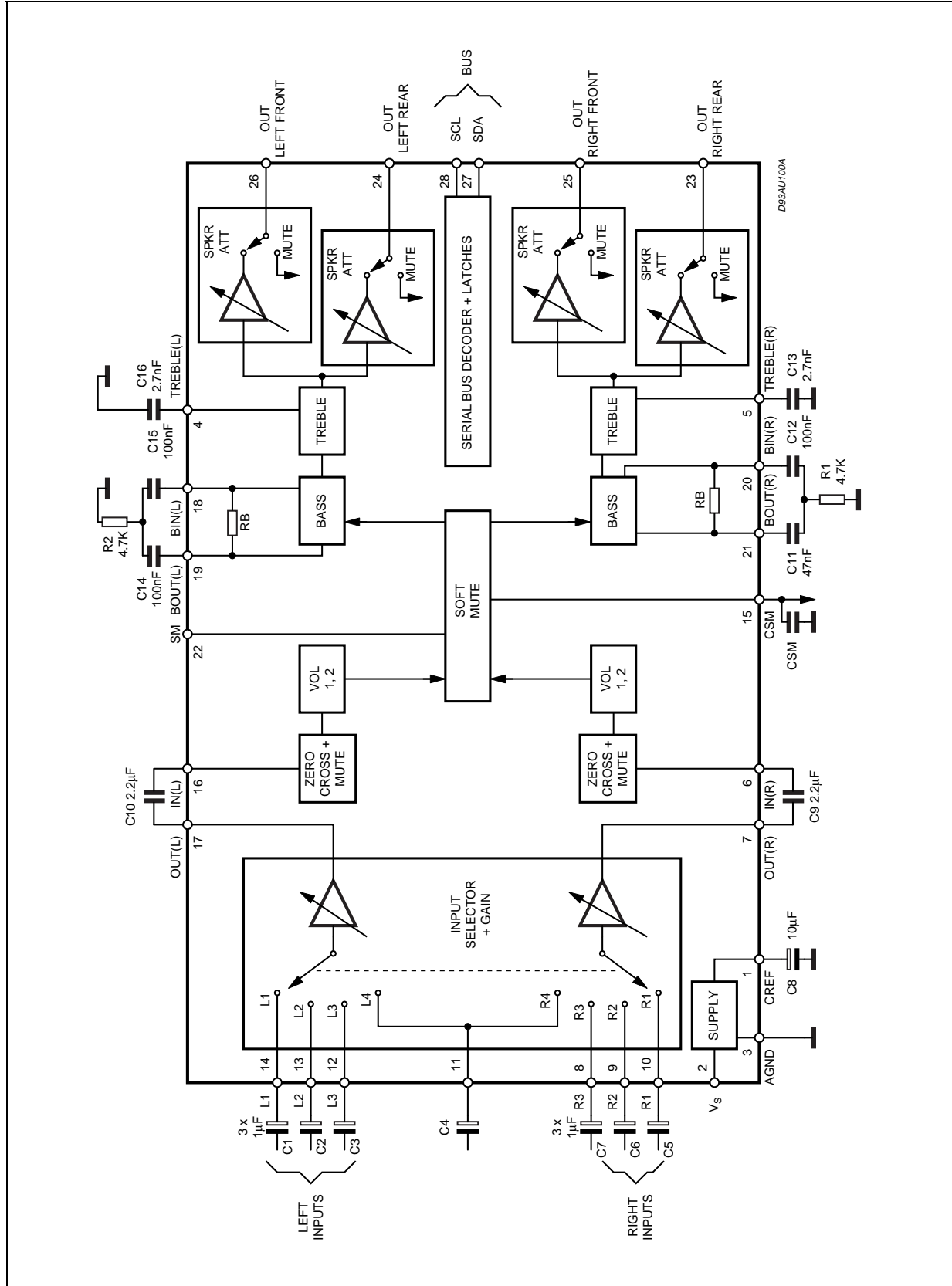
Due to a highly linear signal processing, using CMOS-switching techniques instead of standard bipolar multipliers, very low distortion and very low noise are obtained. Several new features like softmute, zero-crossing mute and pause detector are implemented.

The Soft Mute function can be activated in two ways:

- 1 Via serial bus (bit D0, Mute Byte)
- 2 Directly on pin 22 through an I/O line of the microcontroller

Very low DC stepping is obtained by use of a BICMOS technology.

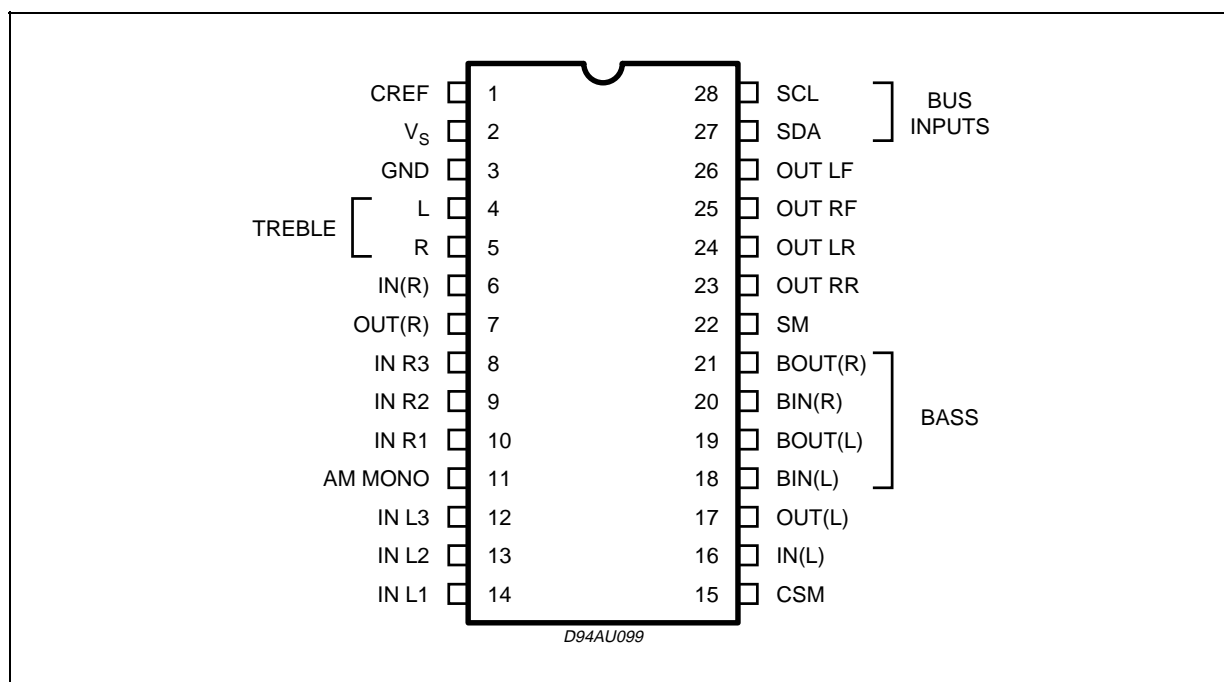
BLOCK DIAGRAM



## ABSOLUTE MAXIMUM RATINGS

Symbol	Parameter	Value	Unit
$V_S$	Operating Supply Voltage	10.5	V
$T_{amb}$	Operating Ambient Temperature	-40 to 85	°C
$T_{stg}$	Storage Temperature Range	-55 to 150	°C

## PIN CONNECTION



## THERMAL DATA

Symbol	Parameter	DIP28	SO28	Unit
$R_{th\ j-amb}$	Thermal Resistance Junction-pins	85	65	°C/W

## QUICK REFERENCE DATA

Symbol	Parameter	Min.	Typ.	Max.	Unit
$V_S$	Supply Voltage	6	9	10.2	V
$V_{CL}$	Max. input signal handling	2.1	2.6		Vrms
THD	Total Harmonic Distortion $V = 1V_{rms}$ $f = 1KHz$		0.01	0.08	%
S/N	Signal to Noise Ratio		106		dB
$S_C$	Channel Separation $f = 1KHz$		100		dB
	Volume Control	-78.45		20	dB
	Treble Control 2dB step	-14		+14	dB
	Bass Control 2dB step	-10		+18	dB
	Fader and Balance Control 1.25dB step	-38.75		0	dB
	Input Gain 3.75dB step	0		11.25	dB
	Mute Attenuation		100		dB

**ELECTRICAL CHARACTERISTICS** ( $V_S = 9V$ ;  $R_L = 10K\Omega$ ;  $R_G = 50\Omega$ ;  $T_{amb} = 25^\circ C$ ; all controls flat ( $G = 0.3dB$  step  $0dB$ );  $f = 1KHz$ . Refer to the test circuit, unless otherwise specified.)

Symbol	Parameter	Test Condition	Min.	Typ.	Max.	Unit
--------	-----------	----------------	------	------	------	------

**INPUT SELECTOR**

$R_I$	Input Resistance		70	100	130	$K\Omega$
$V_{CL}$	Clipping Level	$d \leq 0.3\%$	2.1	2.6		$V_{RMS}$
$S_I$	Input Separation		80	100		dB
$R_L$	Output Load Resistance		2			$K\Omega$
$G_{I\ MIN}$	Minimum Input Gain		-0.75	0	0.75	dB
$G_{I\ MAX}$	Maximum Input Gain		10.25	11.25	12.25	dB
$G_{step}$	Step Resolution		2.75	3.75	4.75	dB
$e_N$	Input Noise	20Hz to 20 KHz unweighted		2.3		$\mu V$
$V_{DC}$	DC Steps	Adjacent Gain Steps		1.5	10	mV
		$G_{I\ MIN}$ to $G_{I\ MAX}$		3		mV

**VOLUME CONTROL (1 + 2)**

$R_I$	Input Resistance		35	50		$K\Omega$
$G_{MAX}$	Maximum Gain		18.75	20	21.25	dB
$A_{MAX}$	Maximum Attenuation			78.45		dB
$A_{STEP\ C}$	Step Resolution Coarse Attenuation		0.5	1.25	2.0	dB
$A_{STEP\ F}$	Step Resolution Fine Attenuation	(Only Volume 1)	0.11	0.31	0.51	dB
$E_A$	Attenuation Set Error	$G = 20$ to $-20dB$	-1.25	0	1.25	dB
		$G = -20$ to $-58dB$	-3		2	dB
$E_t$	Tracking Error				2	dB
$V_{DC}$	DC Steps	Adjacent Attenuation Steps	-3	0	3	mV
		From $0dB$ to $A_{MAX}$		0.5	5	mV

**ZERO CROSSING MUTE**

$V_{TH}$	Zero Crossing Threshold (note 1)	$WIN = 11$		20		mV
		$WIN = 10$		40		mV
		$WIN = 01$		80		mV
		$WIN = 00$		160		mV
$A_{MUTE}$	Mute Attenuation		80	100		dB
$V_{DC}$	DC Step	0dB to Mute		0	3	mV

**SOFT MUTE**

$A_{MUTE}$	Mute Attenuation		45	60		dB
$T_{DON}$	ON Delay Time	$C_{CSM} = 22nF$ ; $0$ to $-20dB$ ; $I = I_{MAX}$	0.7	1	1.7	ms
		$C_{CSM} = 22nF$ ; $0$ to $-20dB$ ; $I = I_{MIN}$	20	35	55	ms
$T_{DOFF}$	OFF Current	$V_{CSM} = 0V$ ; $I = I_{MAX}$	25	50	75	$\mu A$
		$V_{CSM} = 0V$ ; $I = I_{MIN}$		1		$\mu A$
$V_{THSM}$	Soft Mute Threshold		1.5	2.5	3.5	V
$R_{INT}$	Pullup Resistor (pin 22)	(note 2)	35	50	65	$K\Omega$
$V_{SMH}$	(pin 22) Level High	Soft Mute Active	3.5			V
$V_{SML}$	(pin 22) Level Low				1	V

## ELECTRICAL CHARACTERISTICS (continued)

Symbol	Parameter	Test Condition	Min.	Typ.	Max.	Unit
<b>BASS CONTROL</b>						
B <sub>BOOST</sub>	Max Bass Boost		15	18	20	dB
B <sub>CUT</sub>	Max Bass Cut		-8.5	-10	-11.5	dB
A <sub>step</sub>	Step Resolution		1	2	3	dB
R <sub>g</sub>	Internal Feedback Resistance		45	65	85	K $\Omega$
<b>TREBLE CONTROL</b>						
C <sub>RANGE</sub>	Control Range		$\pm 13$	$\pm 14$	$\pm 15$	dB
A <sub>step</sub>	Step Resolution		1	2	3	dB
<b>SPEAKER ATTENUATORS</b>						
C <sub>RANGE</sub>	Control Range		35	37.5	40	dB
A <sub>step</sub>	Step Resolution		0.5	1.25	2.0	dB
A <sub>MUTE</sub>	Output Mute Attenuation	Data Word = XXX11111	80	100		dB
E <sub>A</sub>	Attenuation Set Error				1.25	dB
V <sub>DC</sub>	DC Steps	Adjacent Attenuation Steps		0	3	mV
<b>AUDIO OUTPUT</b>						
V <sub>clip</sub>	Clipping Level	d = 0.3%	2.1	2.6		V <sub>rms</sub>
R <sub>L</sub>	Output Load Resistance		2			K $\Omega$
R <sub>O</sub>	Output Impedance			30	100	$\Omega$
V <sub>DC</sub>	DC Voltage Level		3.5	3.8	4.1	V
<b>GENERAL</b>						
V <sub>CC</sub>	Supply Voltage		6	9	10.2	V
I <sub>CC</sub>	Supply Current			10	15	mA
PSRR	Power Supply Rejection Ratio	f = 1KHz	60	80		dB
		B = 20 to 20kHz "A" weighted		65		dB
e <sub>NO</sub>	Output Noise	Output Muted (B = 20 to 20kHz flat)		2.5		$\mu$ V
		All Gains 0dB (B = 20 to 20kHz flat)		5	15	$\mu$ V
E <sub>t</sub>	Total Tracking Error	A <sub>V</sub> = 0 to -20dB		0	1	dB
		A <sub>V</sub> = -20 to -60dB		0	2	dB
S/N	Signal to Noise Ratio	All Gains = 0dB; V <sub>O</sub> = 1V <sub>rms</sub>		106		dB
S <sub>C</sub>	Channel Separation		80	100		dB
d	Distortion	V <sub>IN</sub> = 1V		0.01	0.08	%
<b>BUS INPUTS</b>						
V <sub>IL</sub>	Input Low Voltage				1	V
V <sub>IN</sub>	Input High Voltage		3			V
I <sub>IN</sub>	Input Current	V <sub>IN</sub> = 0.4V	-5		5	$\mu$ A
V <sub>O</sub>	Output Voltage SDA Acknowledge	I <sub>O</sub> = 1.6mA		0.4	0.8	V

Note 1: WIN represents the MUTE programming bit pair D<sub>6</sub>, D<sub>5</sub> for the zero crossing window threshold

Note 2: Internal pullup resistor to Vs/2; "LOW" = softmute active

r

**I<sup>2</sup>C BUS INTERFACE**

Data transmission from microprocessor to the TDA7348 and viceversa takes place thru the 2 wires I<sup>2</sup>C BUS interface, consisting of the two lines SDA and SCL (pull-up resistors to positive supply voltage must be externally connected).

**Data Validity**

As shown in fig. 3, the data on the SDA line must be stable during the high period of the clock. The HIGH and LOW state of the data line can only change when the clock signal on the SCL line is LOW.

**Start and Stop Conditions**

As shown in fig.4 a start condition is a HIGH to LOW transition of the SDA line while SCL is HIGH. The stop condition is a LOW to HIGH transition of the SDA line while SCL is HIGH. A STOP conditions must be sent before each START condition.

**Byte Format**

Every byte transferred to the SDA line must contain 8 bits. Each byte must be followed by an ac-

knowledge bit. The MSB is transferred first.

**Acknowledge**

The master ( $\mu$ P) puts a resistive HIGH level on the SDA line during the acknowledge clock pulse (see fig. 5). The peripheral (audioprocessor) that acknowledges has to pull-down (LOW) the SDA line during the acknowledge clock pulse, so that the SDA line is stable LOW during this clock pulse.

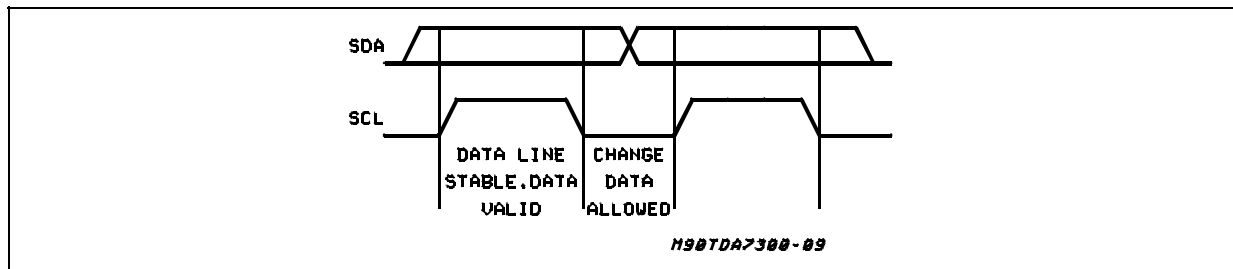
The audioprocessor which has been addressed has to generate an acknowledge after the reception of each byte, otherwise the SDA line remains at the HIGH level during the ninth clock pulse time. In this case the master transmitter can generate the STOP information in order to abort the transfer.

**Transmission without Acknowledge**

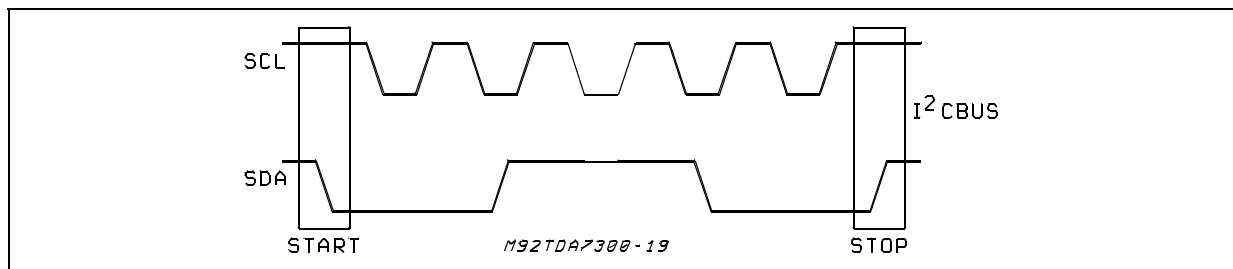
Avoiding to detect the acknowledge of the audioprocessor, the  $\mu$ P can use a simpler transmission: simply it waits one clock without checking the slave acknowledging, and sends the new data.

This approach of course is less protected from misworking and decreases the noise immunity.

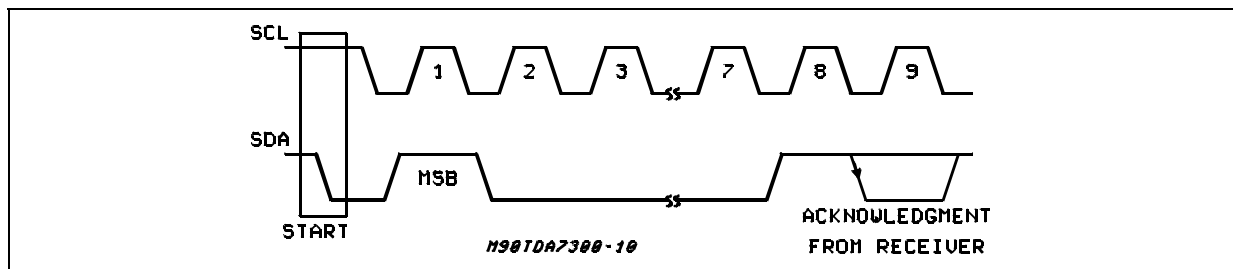
**Figure 3:** Data Validity on the I<sup>2</sup>CBUS



**Figure 4:** Timing Diagram of I<sup>2</sup>CBUS



**Figure 5:** Acknowledge on the I<sup>2</sup>CBUS



**SOFTWARE SPECIFICATION**

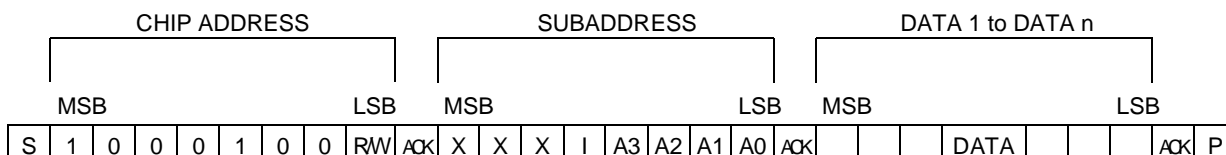
**Interface Protocol**

The interface protocol comprises:

- A start condition (s)
- A chip address byte,(the LSB bit determines

read/write transmission)

- A subaddress byte.
- A sequence of data (N-bytes + acknowledge)
- A stop condition (P)



ACK = Acknowledge  
 S = Start  
 P = Stop  
 I = Auto Increment  
 X = Not used

MAX CLOCK SPEED 500kbits/s

**AUTO INCREMENT**

If bit I in the subaddress byte is set to "1", the autoincrement of the subaddress is enabled

**SUBADDRESS** (receive mode)

MSB				LSB				FUNCTION
X	X	X	I	A3	A2	A1	A0	
				0	0	0	0	Input Selector
				0	0	0	1	Volume 2
				0	0	1	0	Volume 1
				0	0	1	1	Bass, Treble
				0	1	0	0	Speaker Attenuator LF
				0	1	0	1	Speaker Attenuator LR
				0	1	1	0	Speaker Attenuator RF
				0	1	1	1	Speaker Attenuator RR
				1	0	0	0	Mute

**TRANSMITTED DATA**

Send Mode

MSB							LSB
X	X	X	X	X	SM	ZM	X

ZM = Zero crossing muted (HIGH active)

SM = Soft mute activated (HIGH active)

X = Not used

The transmitted data is automatically updated after each ACK.

Transmission can be repeated without new chipaddress.

## TDA7348

### DATA BYTE SPECIFICATION

X = not relevant; set to "1" during testing

#### Input Selector

MSB							LSB	FUNCTION
D7	D6	D5	D4	D3	D2	D1	D0	
X	X	1			0	0	0	not used
X	X	1			0	0	1	IN 2
X	X	1			0	1	0	IN 1
X	X	1			0	1	1	AM mono
X	X	1			1	0	0	not used
X	X	1			1	0	1	IN 3
X	X	1			1	1	0	not allowed
X	X	1			1	1	1	not allowed
X	X	1	0	0				11.25dB gain
X	X	1	0	1				7.5dB gain
X	X	1	1	0				3.75dB gain
X	X	1	1	1				0dB gain

For example to select the IN 2 input with a gain of 7.5dB the Data Byte is: X X 1 0 1 0 0 1

#### Volume 2

MSB							LSB	FUNCTION
D7	D6	D5	D4	D3	D2	D1	D0	
X	X	X	1	0	0	0	0	0dB
X	X	X	1	0	0	0	1	-1.25dB
X	X	X	1	0	0	1	0	-2.5dB
X	X	X	1	0	0	1	1	-3.75dB
X	X	X	1	0	1	0	0	-5dB
X	X	X	1	0	1	0	1	-6.25dB
X	X	X	1	0	1	1	0	-7.5dB
X	X	X	1	0	1	1	1	-8.75dB
X	X	X	1	1	0	0	0	-10dB
X	X	X	1	1	0	0	1	-11.25dB
X	X	X	1	1	0	1	0	-12.5dB
X	X	X	1	1	0	1	1	-13.75dB
X	X	X	1	1	1	0	0	-15dB
X	X	X	1	1	1	0	1	-16.25dB
X	X	X	1	1	1	1	0	-17.5dB
X	X	X	1	1	1	1	1	-18.75dB

For example to select -17.5dB attenuation the Data Byte is: X X X 1 1 1 1 0



**Mute**

MSB							LSB	FUNCTION
D7	D6	D5	D4	D3	D2	D1	D0	
							1	Soft Mute On
						0	1	Soft Mute with fast slope ( $I = I_{MAX}$ )
						1	1	Soft Mute with slow slope ( $I = I_{MIN}$ )
				1				Direct Mute
			0		1			Zero Crossing Mute On
			0		0			Zero Crossing Mute Off (delayed until next zero-crossing)
			1					Zero Crossing Mute and Pause Detector Reset
	0	0						160mV ZC Window Threshold (WIN = 00)
	0	1						80mV ZC Window Threshold (WIN = 01)
	1	0						40mV ZC Window Threshold (WIN = 10)
	1	1						20mV ZC Window Threshold (WIN = 11)
0								Nonsymmetrical Bass Cut (note 4)
1								Symmetrical Bass Cut

An additional direct mute function is included in the Speaker Attenuators.

Note 4: Bass cut for very low frequencies; should not be used at +16 and +18dB bass boost (DC gain)

**Speaker Attenuators**

MSB							LSB	SPEAKER ATTENUATOR LF, LR, RF, RR
D7	D6	D5	D4	D3	D2	D1	D0	
								<b>1.25dB step</b>
X	X	X			0	0	0	0dB
X	X	X			0	0	1	-1.25dB
X	X	X			0	1	0	-2.5dB
X	X	X			0	1	1	-3.75dB
X	X	X			1	0	0	-5dB
X	X	X			1	0	1	-6.25dB
X	X	X			1	1	0	-7.5dB
X	X	X			1	1	1	-8.75dB
								<b>10dB step</b>
X	X	X	0	0				0dB
X	X	X	0	1				-10dB
X	X	X	1	0				-20dB
X	X	X	1	1				-30dB
X	X	X	1	1	1	1	1	Speaker Mute

For example an attenuation of 25dB on a selected output is given by: X X X 1 0 1 0 0

# TDA7348

## Bass/Treble

MSB								LSB	FUNCTION
D7	D6	D5	D4	D3	D2	D1	D0		
								TREBLE STEP	
				0	0	0	0	-14dB	
				0	0	0	1	-12dB	
				0	0	1	0	-10dB	
				0	0	1	1	-8dB	
				0	1	0	0	-6dB	
				0	1	0	1	-4dB	
				0	1	1	0	-2dB	
				0	1	1	1	0dB	
				1	1	1	1	0dB	
				1	1	1	0	2dB	
				1	1	0	1	4dB	
				1	1	0	0	6dB	
				1	0	1	1	8dB	
				1	0	1	0	10dB	
				1	0	0	1	12dB	
				1	0	0	0	14dB	
								BASS STEPS	
0	0	1	0					-10dB	
0	0	1	1					-8dB	
0	1	0	0					-6dB	
0	1	0	1					-4dB	
0	1	1	0					-2dB	
0	1	1	1					-0dB	
1	1	1	1					-0dB	
1	1	1	0					2dB	
1	1	0	1					4dB	
1	1	0	0					6dB	
1	0	1	1					8dB	
1	0	1	0					10dB	
1	0	0	1					12dB	
1	0	0	0					14dB	
0	0	0	1					14dB	
0	0	0	0					18dB	

For example 12dB Treble and -8dB Bass give the following DATA BYTE: 0 0 1 1 1 0 0 1

## Volume 1

MSB							LSB	FUNCTION
D7	D6	D5	D4	D3	D2	D1	D0	
								0.31dB Fine Attenuation Steps
						0	0	0dB
						0	1	-0.31dB
						1	0	-0.62dB
						1	1	-0.94dB
								1.25dB Coarse Attenuation Steps
			0	0	0			0dB
			0	0	1			-1.25dB
			0	1	0			-2.5dB
			0	1	1			-3.75dB
			1	0	0			-5dB
			1	0	1			-6.25dB
			1	1	0			-7.5dB
			1	1	1			-8.75dB
								10dB Gain / Attenuation Steps
0	0	0						20dB
0	0	1						10dB
0	1	0						0dB
0	1	1						-10dB
1	0	0						-20dB
1	0	1						-30dB
1	1	0						-40dB
1	1	1						-50dB

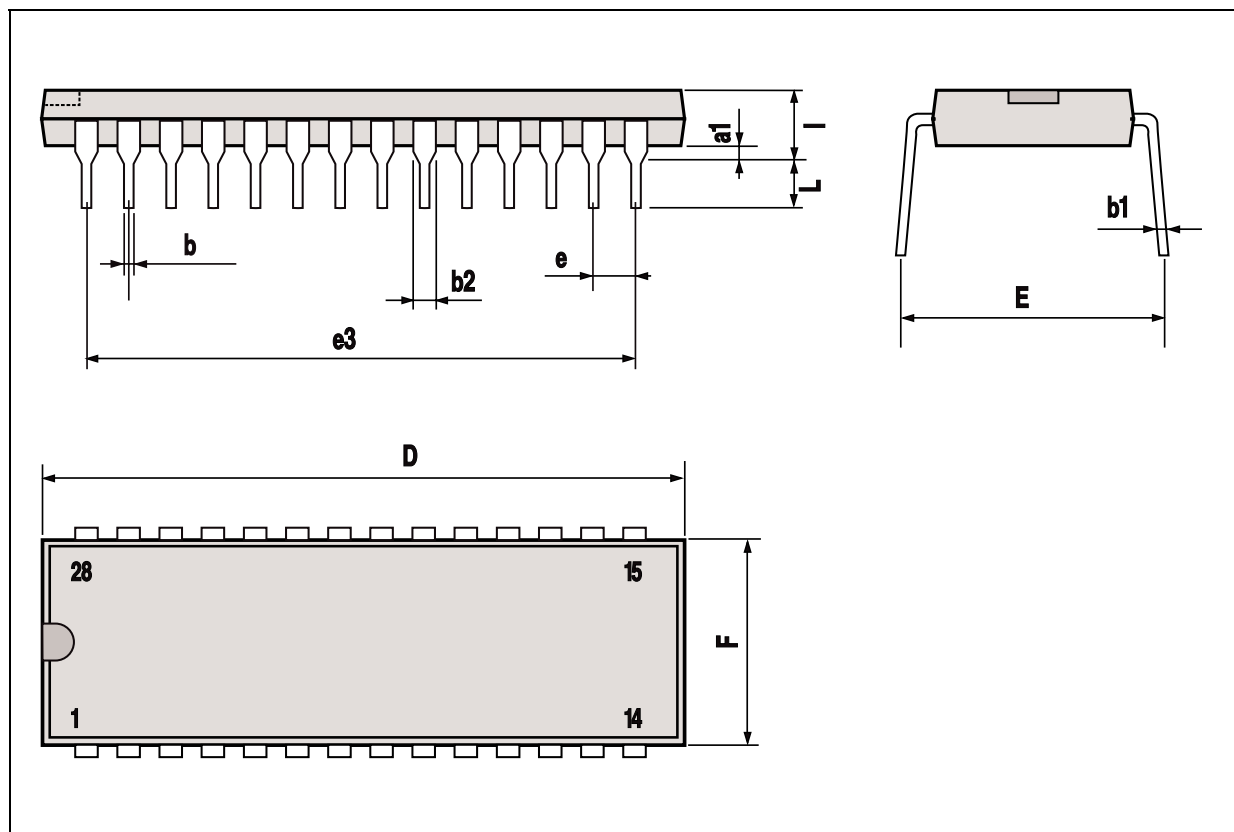
For example to select -47.81dB Volume the Data Byte is: 1 1 0 1 1 0 0 1

Power on RESET: All Bytes Set to 1 1 1 1 1 1 1 0

Purchase of I<sup>2</sup>C Components of SGS-THOMSON Microelectronics, conveys a license under the Philips I<sup>2</sup>C Patent Rights to use these components in an I<sup>2</sup>C system, provided that the system conforms to the I<sup>2</sup>C Standard Specifications as defined by Philips.

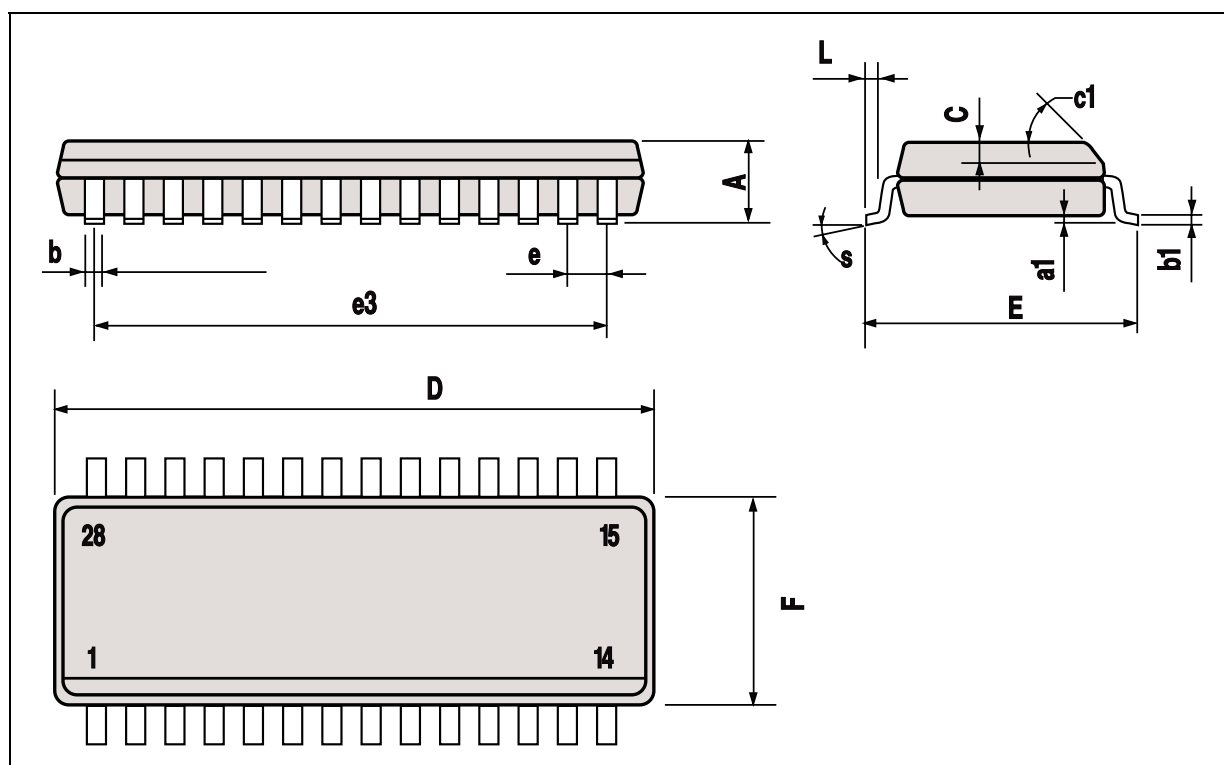
DIP28 PACKAGE MECHANICAL DATA

DIM.	mm			inch		
	MIN.	TYP.	MAX.	MIN.	TYP.	MAX.
a1		0.63			0.025	
b		0.45			0.018	
b1	0.23		0.31	0.009		0.012
b2		1.27			0.050	
D			37.34			1.470
E	15.2		16.68	0.598		0.657
e		2.54			0.100	
e3		33.02			1.300	
F			14.1			0.555
I		4.445			0.175	
L		3.3			0.130	



## SO28 PACKAGE MECHANICAL DATA

DIM.	mm			inch		
	MIN.	TYP.	MAX.	MIN.	TYP.	MAX.
A			2.65			0.104
a1	0.1		0.3	0.004		0.012
b	0.35		0.49	0.014		0.019
b1	0.23		0.32	0.009		0.013
C		0.5			0.020	
c1	45° (typ.)					
D	17.7		18.1	0.697		0.713
E	10		10.65	0.394		0.419
e		1.27			0.050	
e3		16.51			0.65	
F	7.4		7.6	0.291		0.299
L	0.4		1.27	0.016		0.050
S	8° (max.)					



Information furnished is believed to be accurate and reliable. However, SGS-THOMSON Microelectronics assumes no responsibility for the consequences of use of such information nor for any infringement of patents or other rights of third parties which may result from its use. No license is granted by implication or otherwise under any patent or patent rights of SGS-THOMSON Microelectronics. Specifications mentioned in this publication are subject to change without notice. This publication supersedes and replaces all information previously supplied. SGS-THOMSON Microelectronics products are not authorized for use as critical components in life support devices or systems without express written approval of SGS-THOMSON Microelectronics.

© 1995 SGS-THOMSON Microelectronics - All Rights Reserved

SGS-THOMSON Microelectronics GROUP OF COMPANIES

Australia - Brazil - France - Germany - Hong Kong - Italy - Japan - Korea - Malaysia - Malta - Morocco - The Netherlands - Singapore - Spain - Sweden - Switzerland - Taiwan - Thailand - United Kingdom - U.S.A.

This datasheet has been download from:

[www.datasheetcatalog.com](http://www.datasheetcatalog.com)

Datasheets for electronics components.