

SERVICE MANUAL

BG3R CHASSIS

MODEL	COMMANDER	DEST.	CHASSIS NO.	MODEL	COMMANDER	DEST.	CHASSIS NO.
KV-AR25M60	RM-995	Thailand	SCC-U46C-A				
KV-AR25M66	RM-993	GE	SCC-U52K-A				
KV-AR25M80	RM-995	E	SCC-U53E-A				
KV-AR25M80	RM-995	ME	SCC-U48U-A				
KV-AR25N90	RM-996	Philippines	SCC-U65E-A				
KV-AR25N90	RM-996	Taiwan	SCC-U54G-A				



RM-993



RM-995

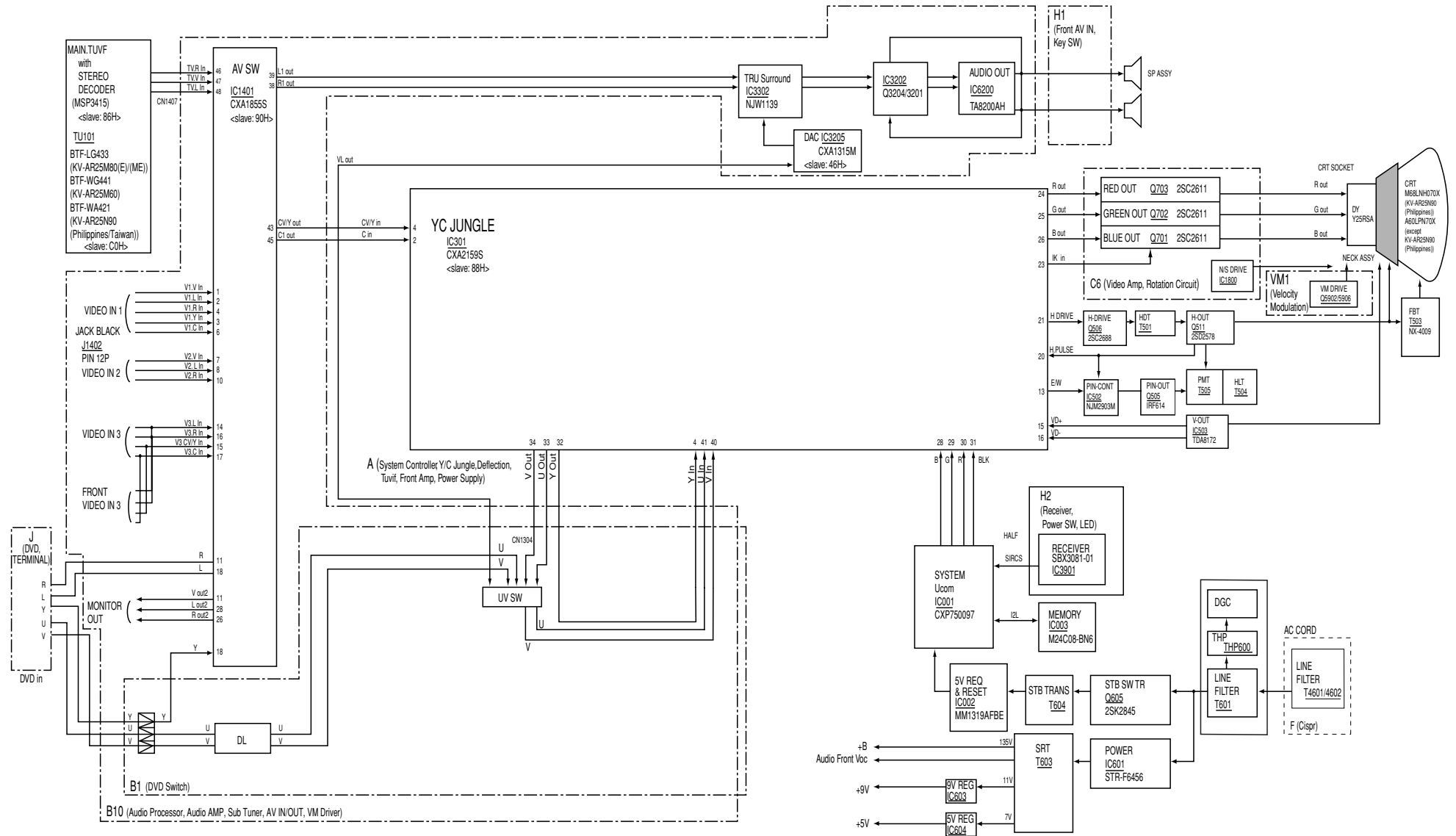


RM-996

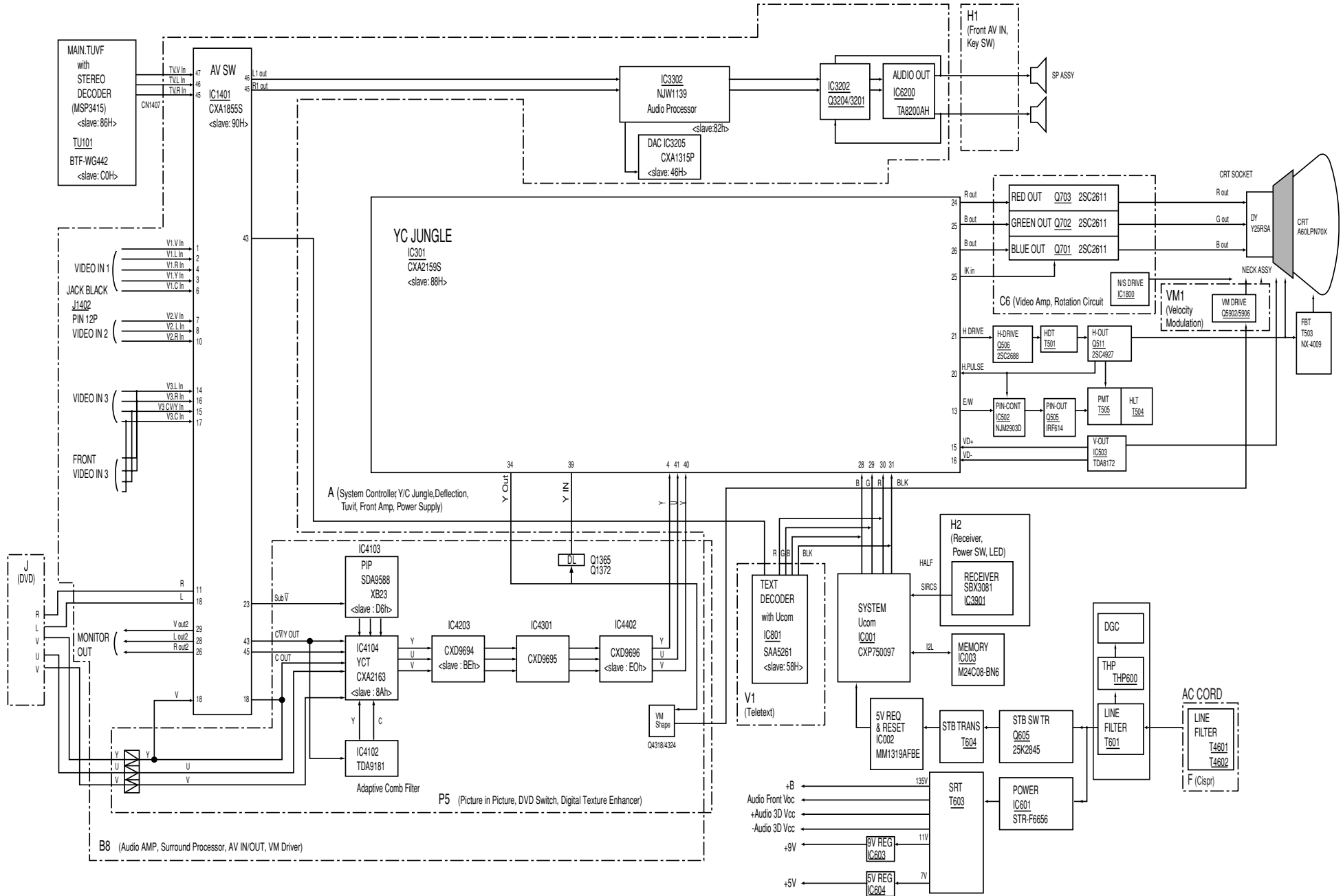
SECTION 5
 DIAGRAMS

5-1. BLOCK DIAGRAM

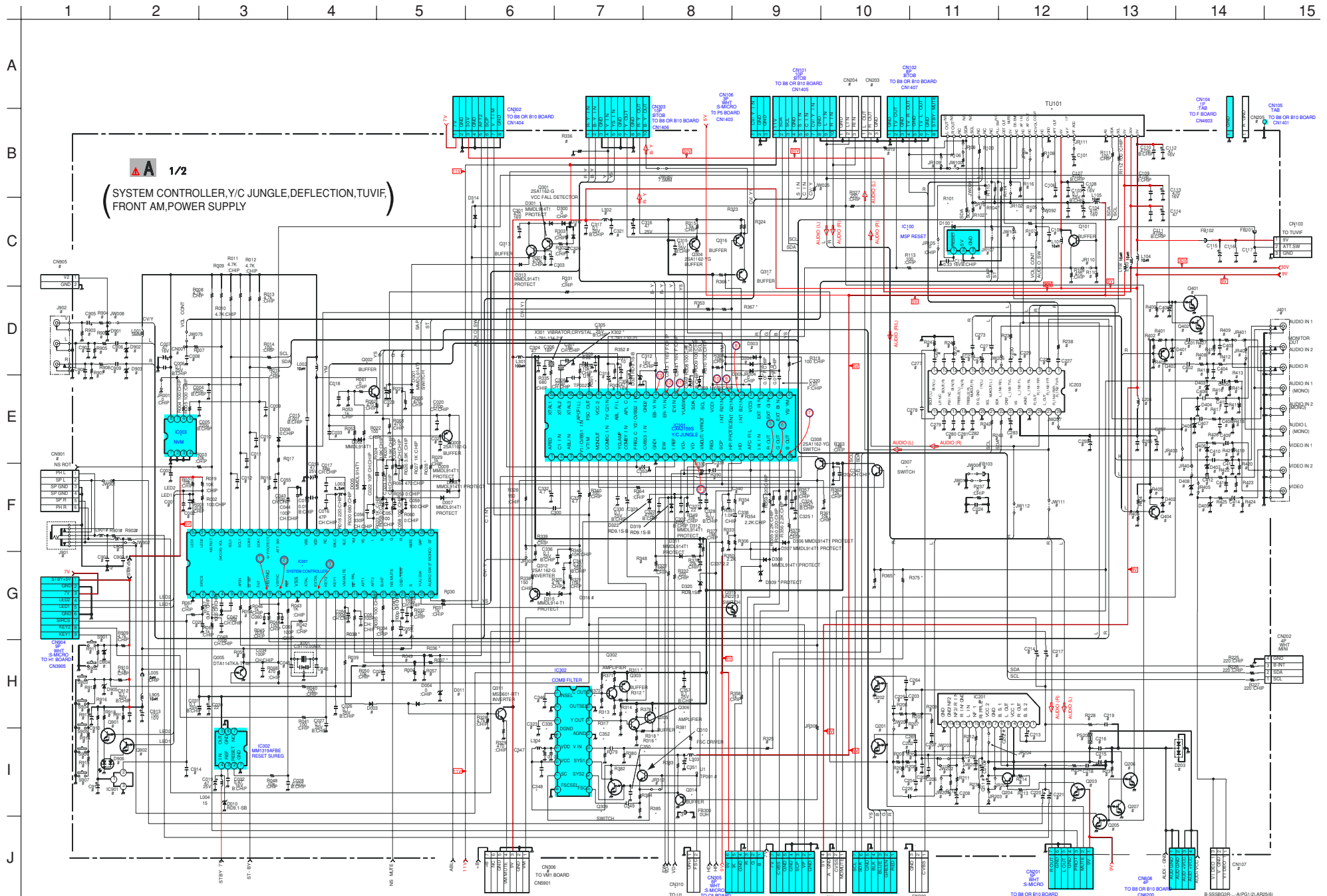
(Except KV-AR25M66)



(KV-AR25M66 ONLY)



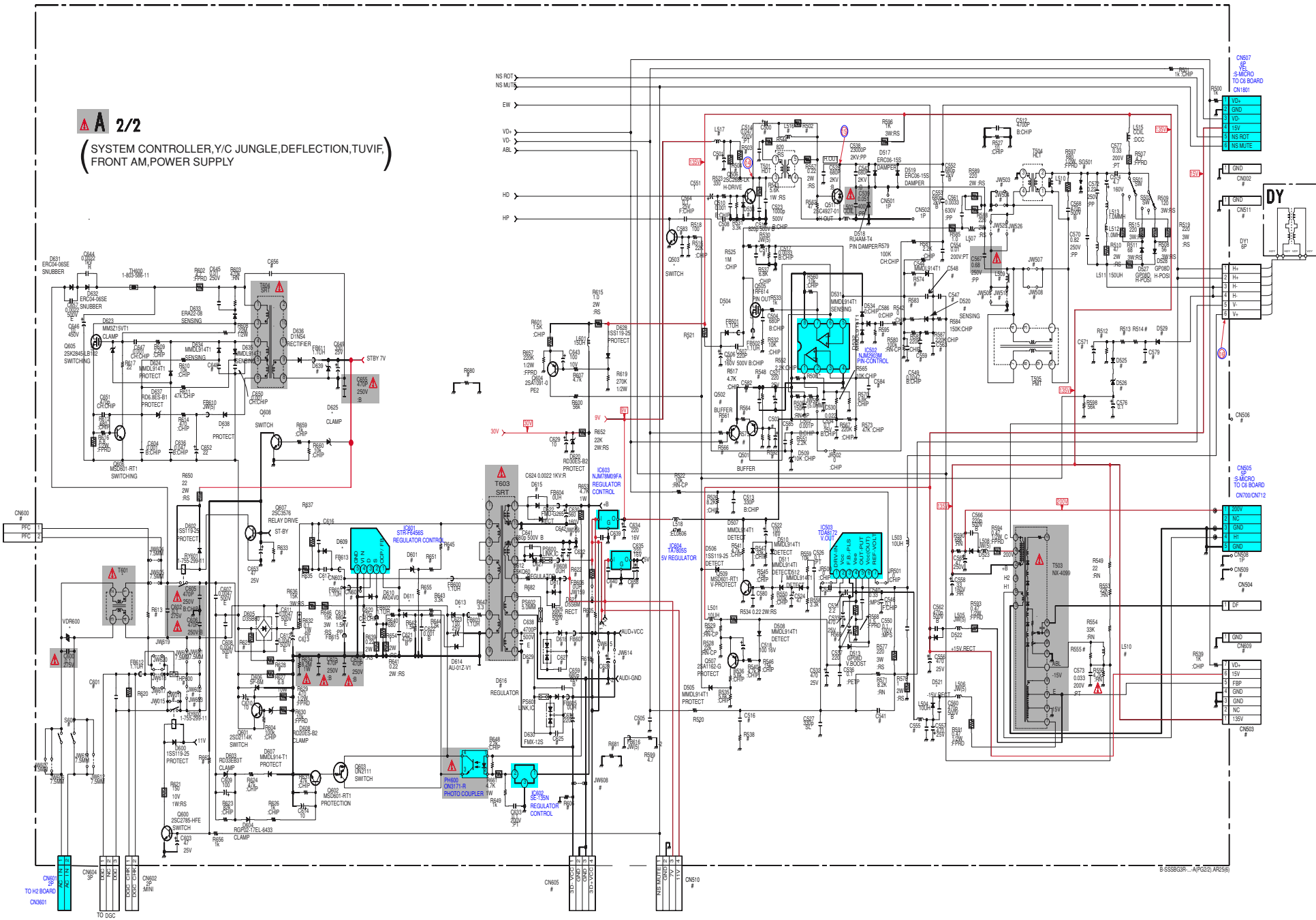
(1) A Board Schematic Diagram



1 2 3 4 5 6 7 8 9 10 11 12 13 14 15

A
B
C
D
E
F
G
H
I
J

A 2/2
(SYSTEM CONTROLLER, Y/C JUNGLE, DEFLECTION, TUVIF, FRONT AM, POWER SUPPLY)

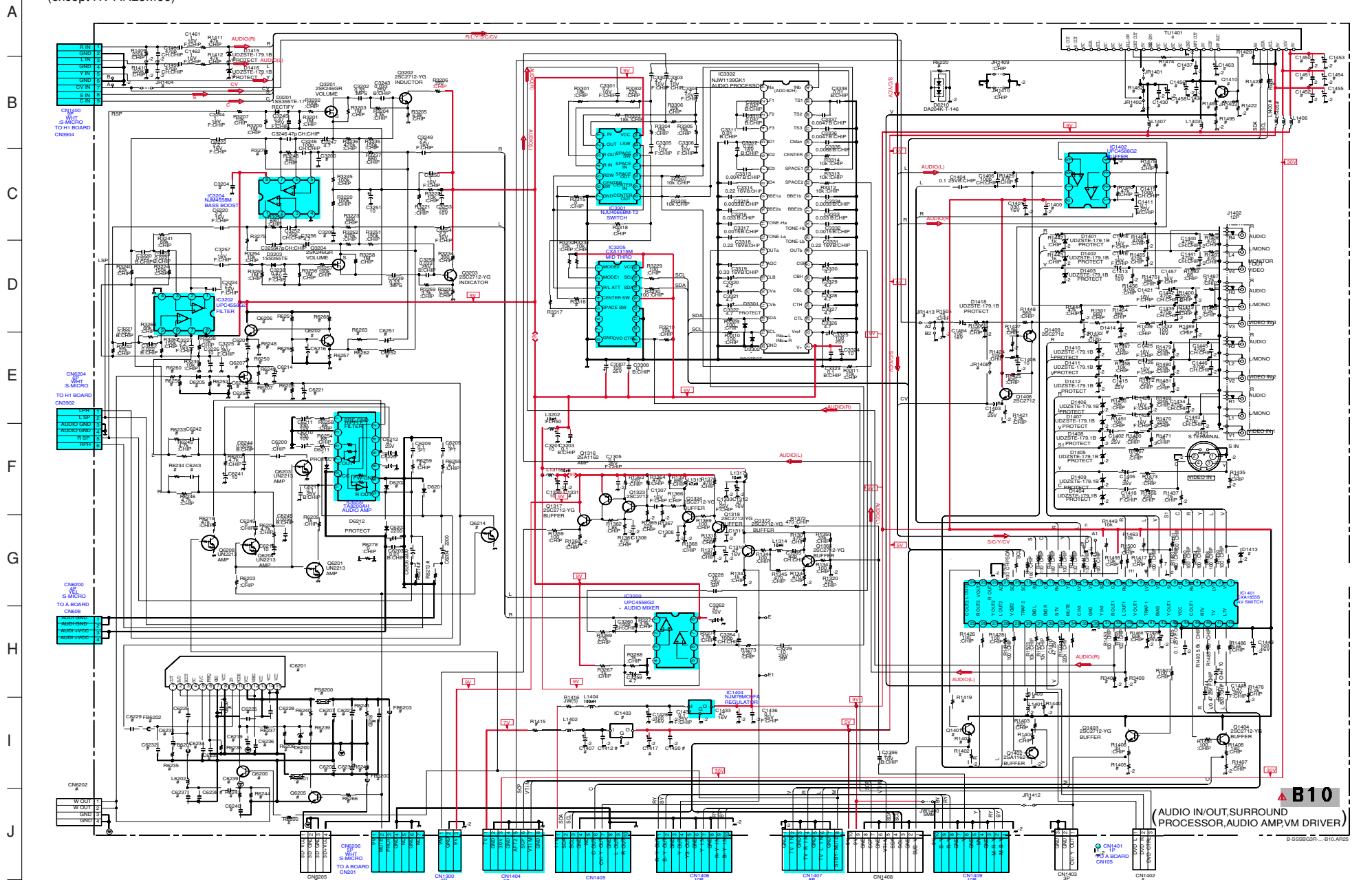


B-SS83GR...APG22) AR25M

KV-AR25M66/AR25M60/AR25M80 **KV-AR25M66/AR25M60/AR25M80**
 RM-993 RM-995 RM-993
KV-AR25N90 **KV-AR25N90**
 RM-996 RM-996

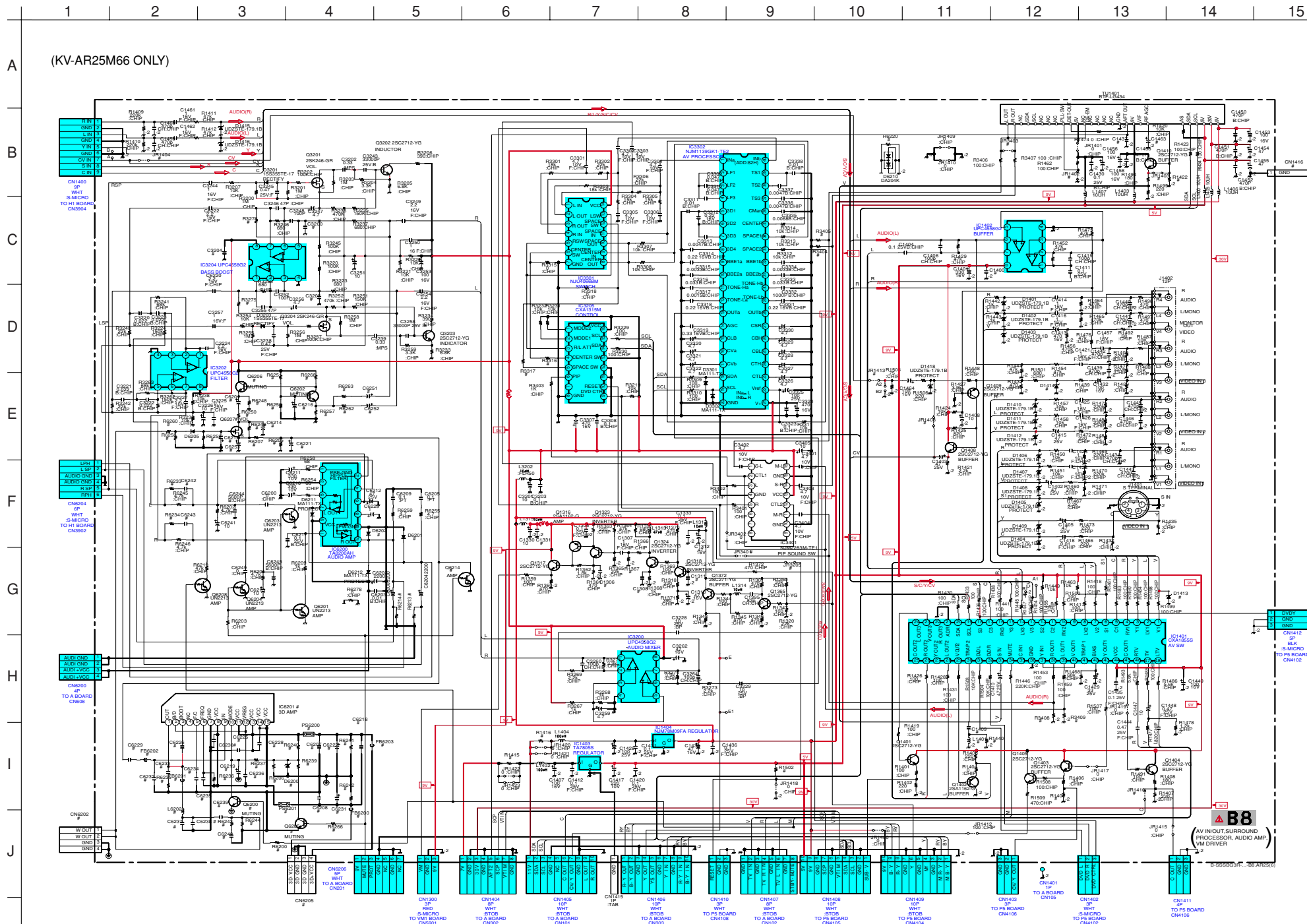
(2) B10 Board Schematic Diagram

(except KV-AR25M66)

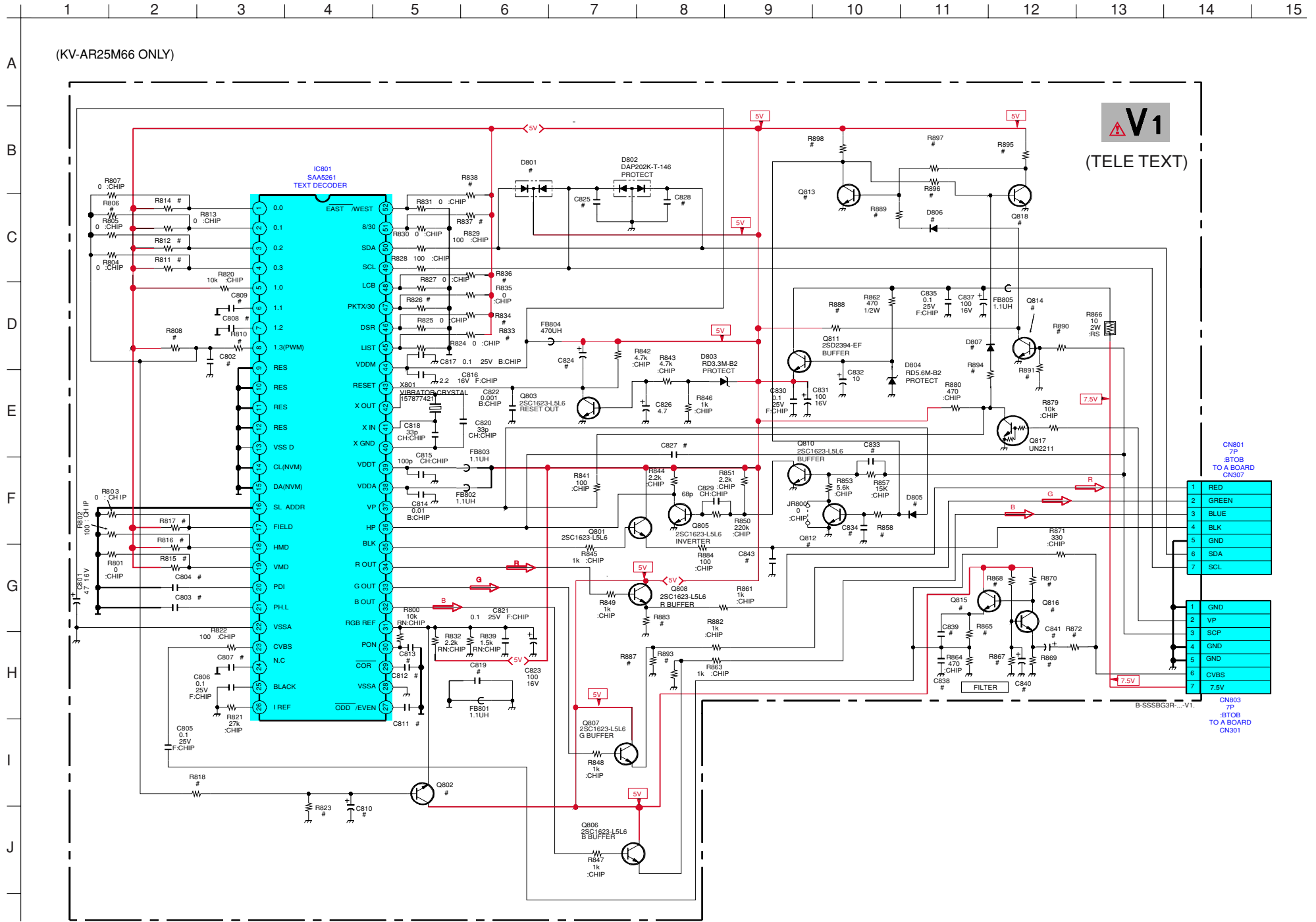


B10
 (AUDIO IN/OUT, SURROUND
 PROCESSOR, AUDIO AMP, VM DRIVER)

(3) B8 Board Schematic Diagram



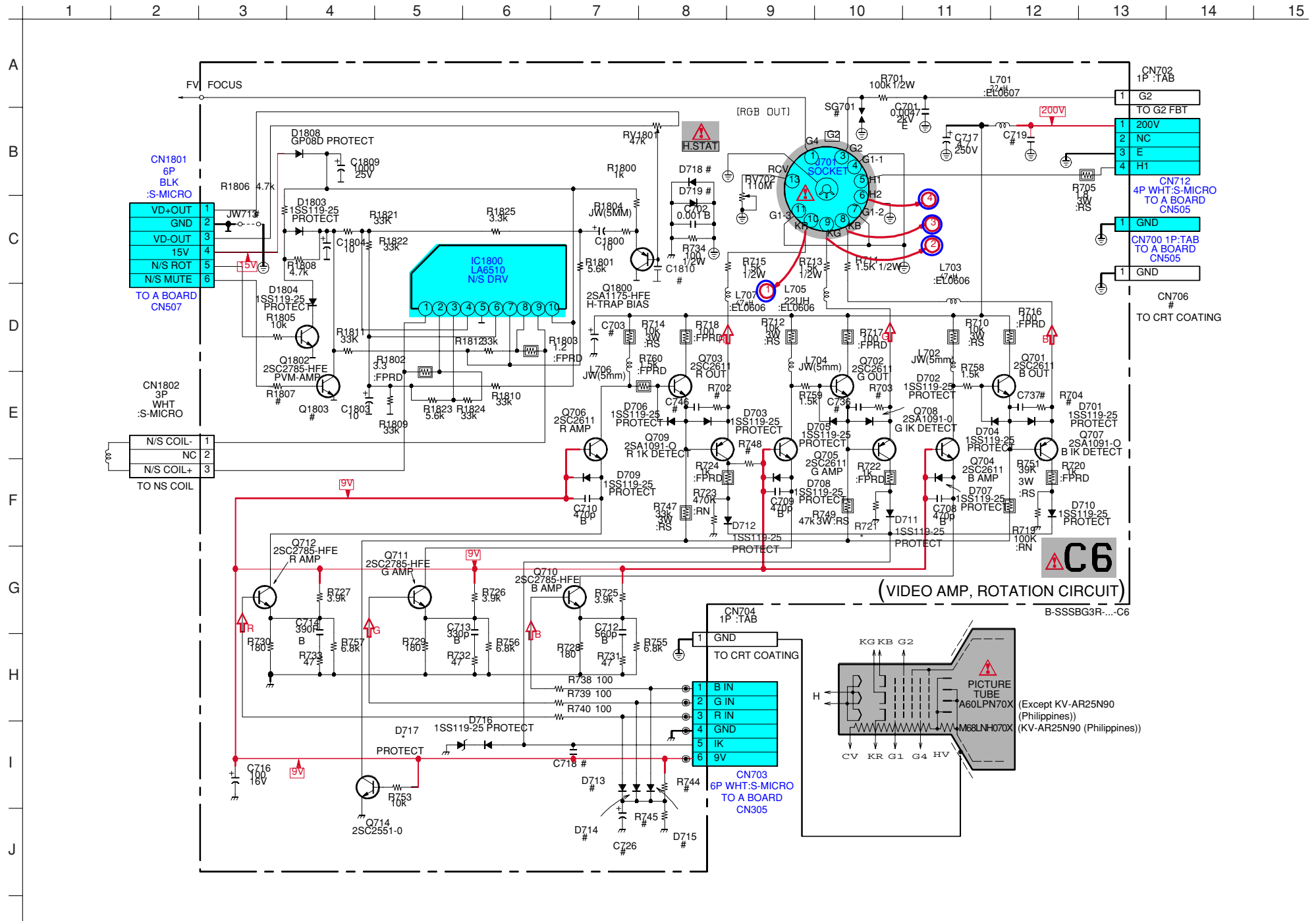
(4) V1 Board Schematic Diagram



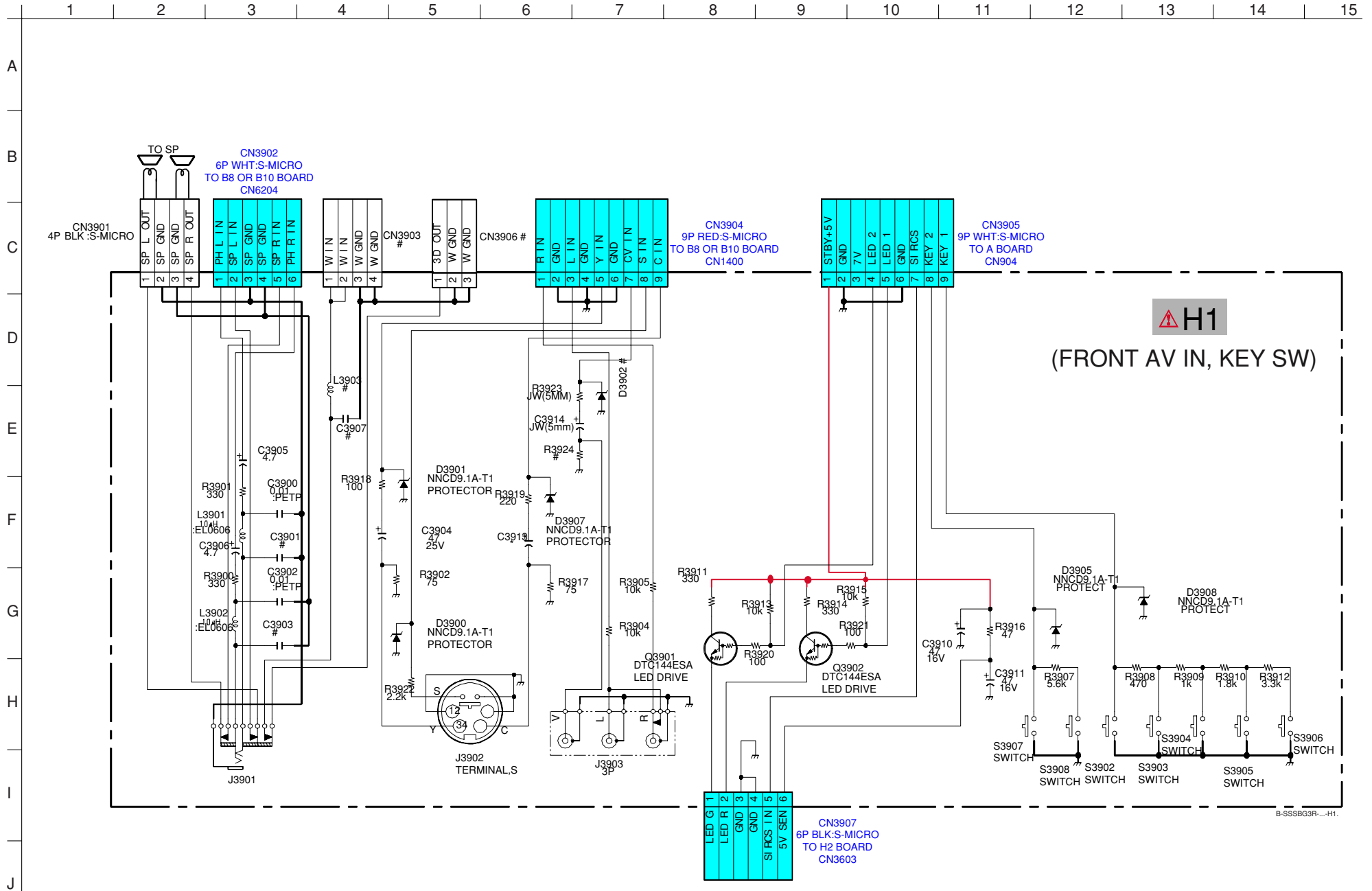
V1
 (TELE TEXT)

- | | |
|---|-------|
| 1 | RED |
| 2 | GREEN |
| 3 | BLUE |
| 4 | BLK |
| 5 | GND |
| 6 | SDA |
| 7 | SCL |
-
- | | |
|---|------|
| 1 | GND |
| 2 | VP |
| 3 | SCP |
| 4 | GND |
| 5 | GND |
| 6 | CVBS |
| 7 | 7.5V |
- CN801
 7P
 *TO BOARD
 CN307
- CN803
 7P
 *TO BOARD
 CN301

(5) C6 Board Schematic Diagram

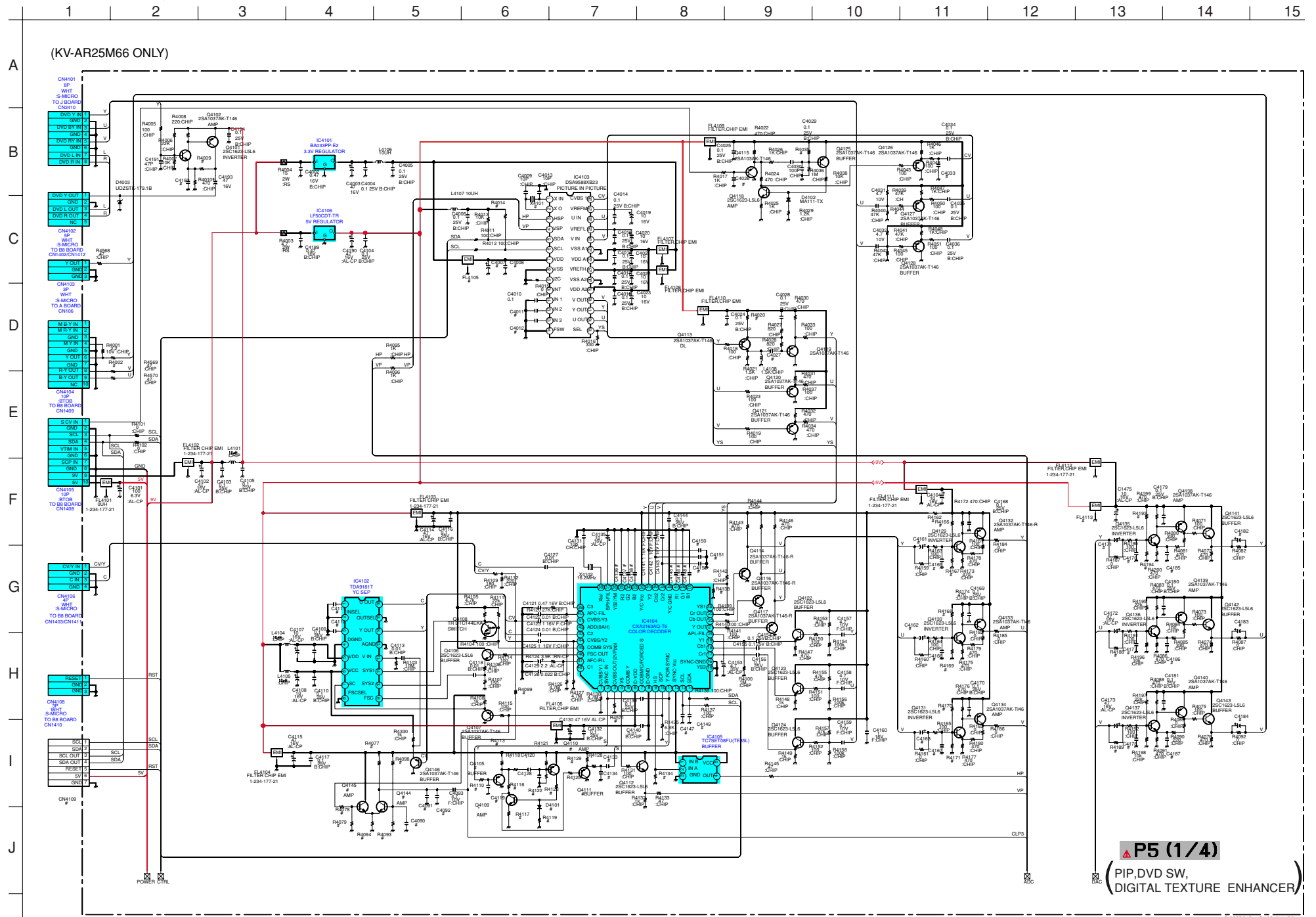


(6) H1 Board Schematic Diagram



B-SSSBG3R...H1.

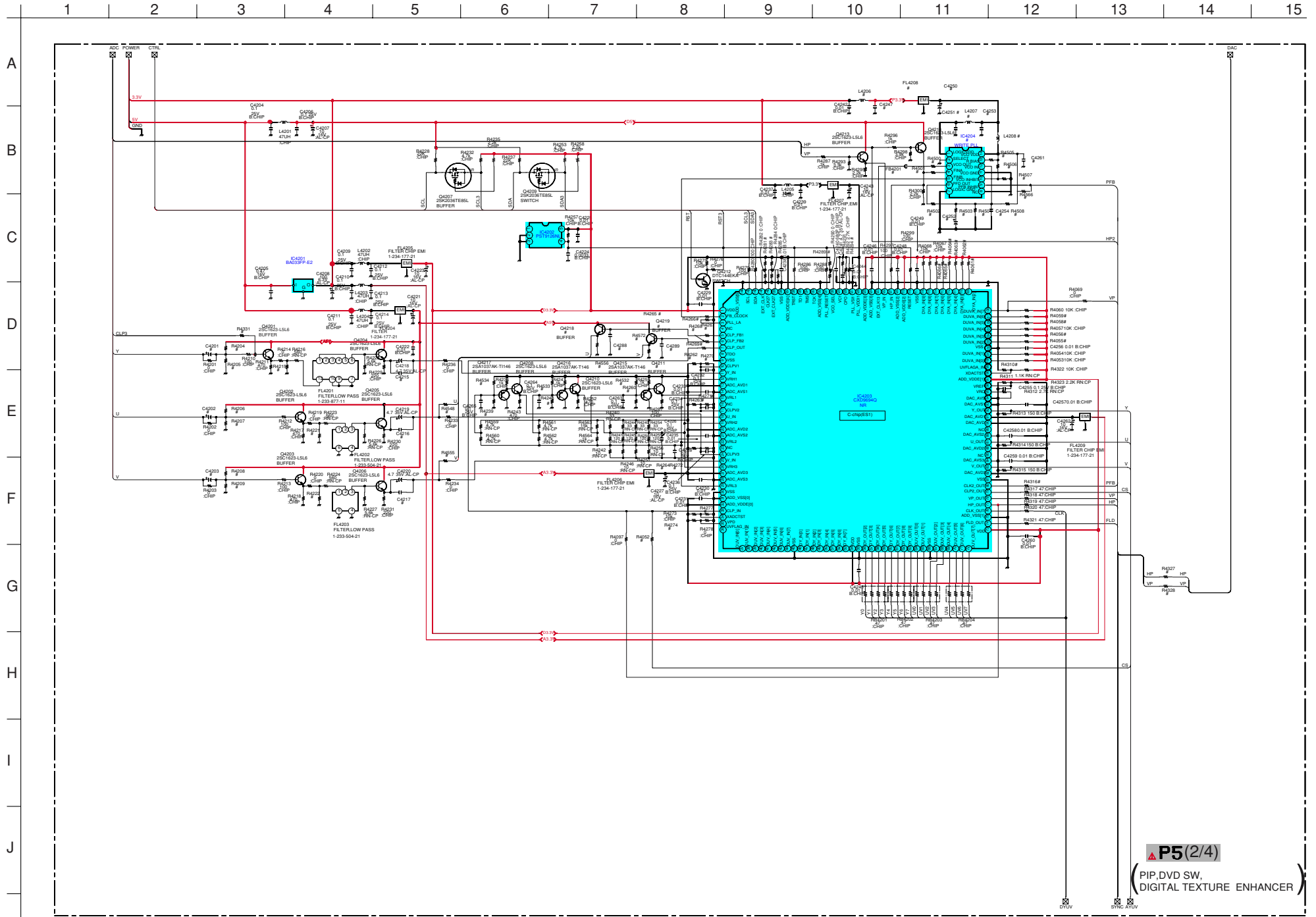
(7) P5 Board Schematic Diagram



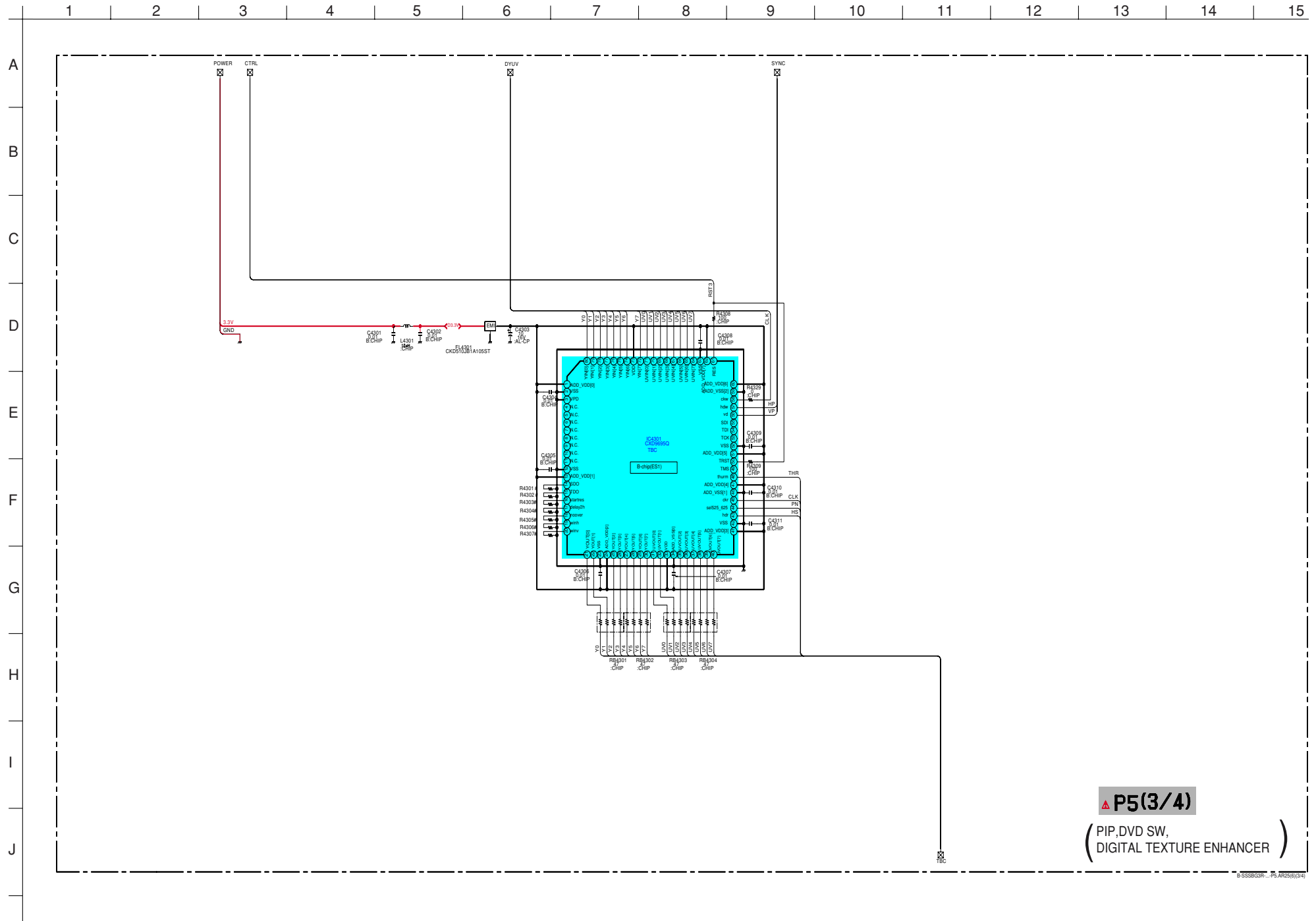
P5 (1/4)
 (PIP, DVD SW,
 DIGITAL TEXTURE ENHANCER)

KV-AR25M66/AR25M60/AR25M80
RM-993 RM-995
KV-AR25N90
RM-996

KV-AR25M66/AR25M60/AR25M80
RM-993 RM-995
KV-AR25N90
RM-996



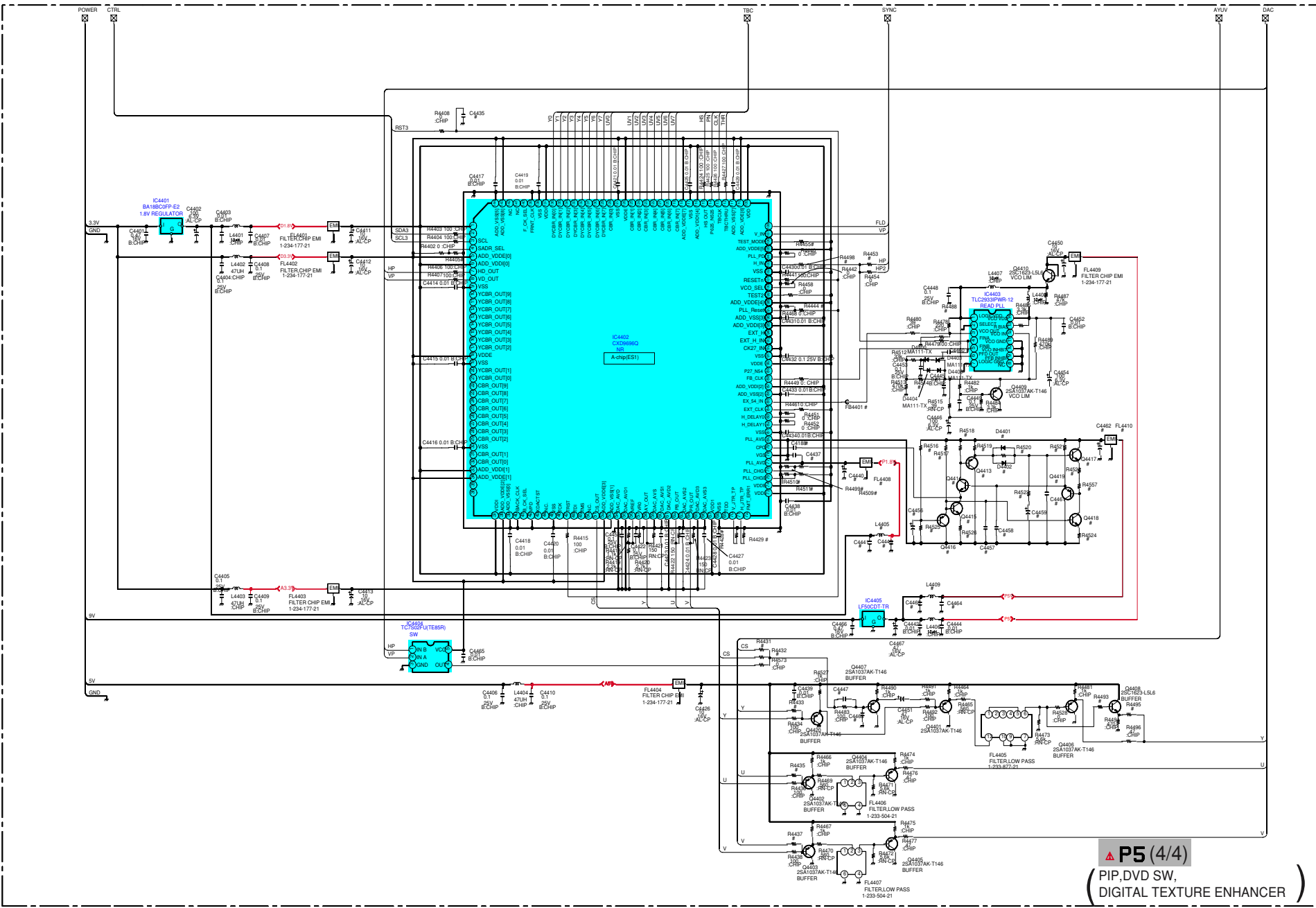
P5(2/4)
(PIP,DVD SW,
DIGITAL TEXTURE ENHANCER)



KV-AR25M66/AR25M60/AR25M80 RM-993 RM-995
 KV-AR25N90 RM-996
 KV-AR25M66/AR25M60/AR25M80 RM-993 RM-995
 KV-AR25N90 RM-996

1 2 3 4 5 6 7 8 9 10 11 12 13 14 15

A
B
C
D
E
F
G
H
I
J

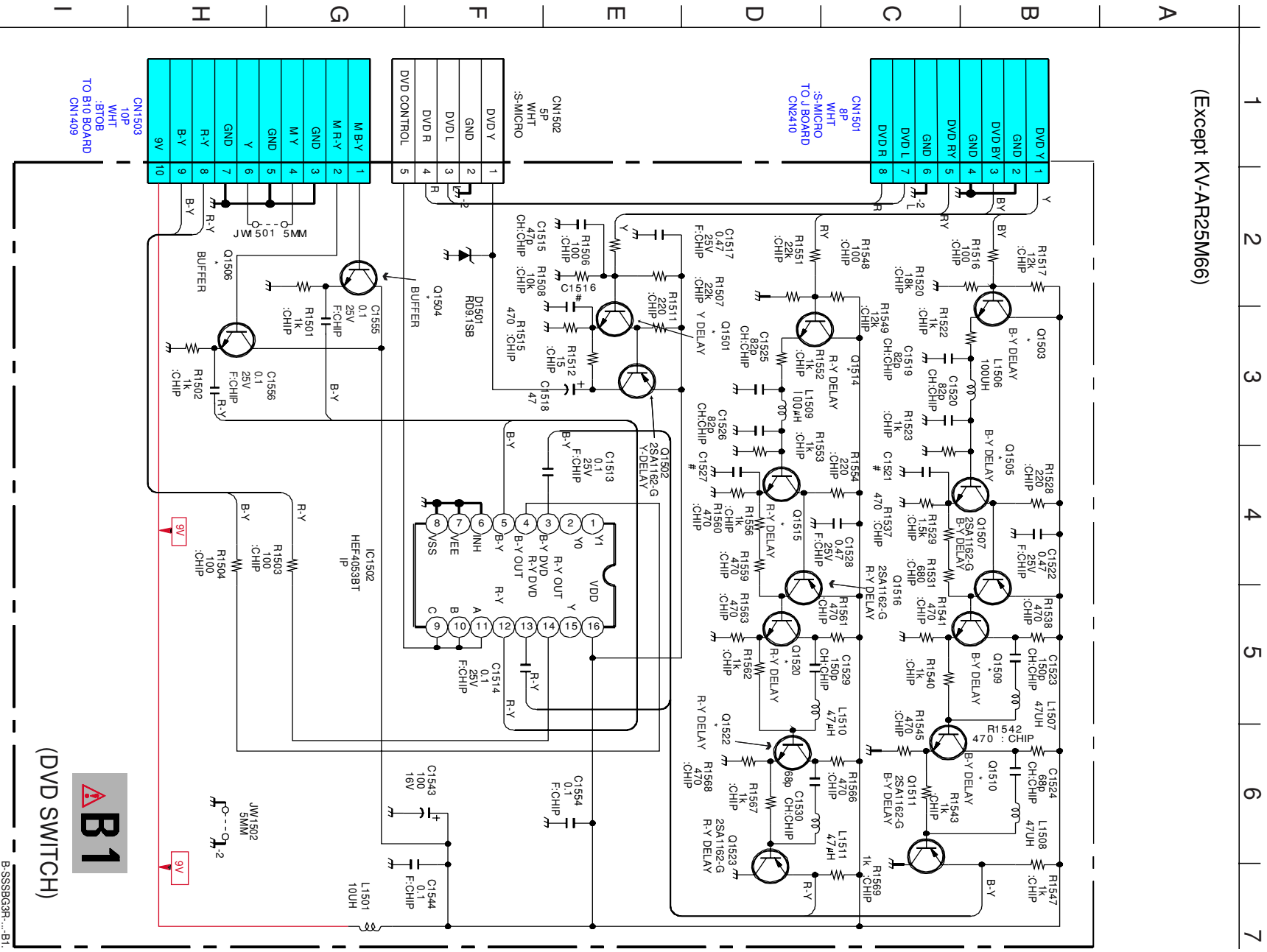


P5 (4/4)
 PIP, DVD SW,
 DIGITAL TEXTURE ENHANCER

8-SS583GR...A-AR25(6).PG4

(8) B1 Board Schematic Diagram

(Except KV-AR25M66)



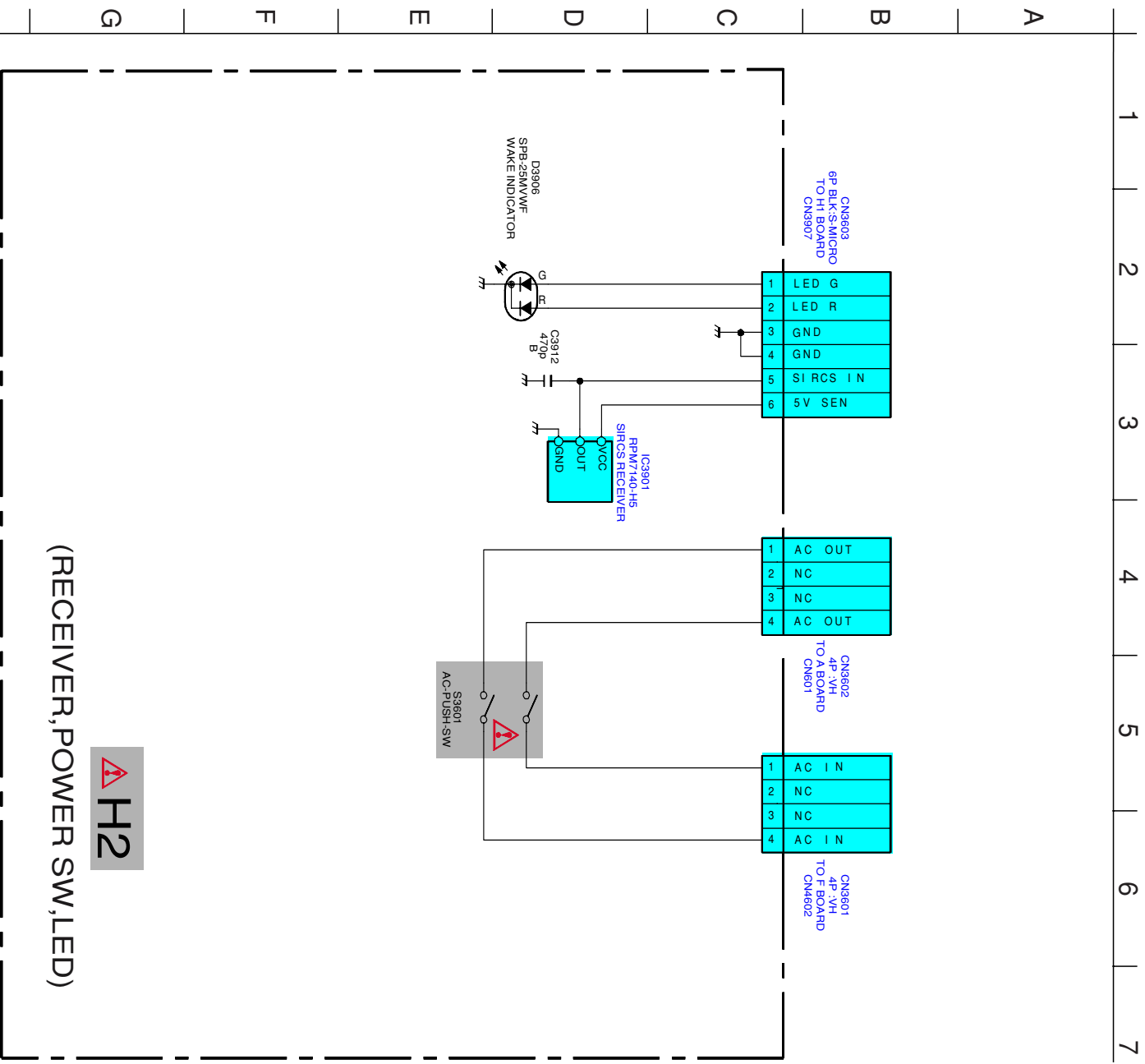
B1

(DVD SWITCH)

B-SS9BG3R...B1

(9) H2 Board Schematic Diagram

KV-AR25M66/AR25M60/AR25M80
 RM-993
 KV-AR25N90
 RM-996

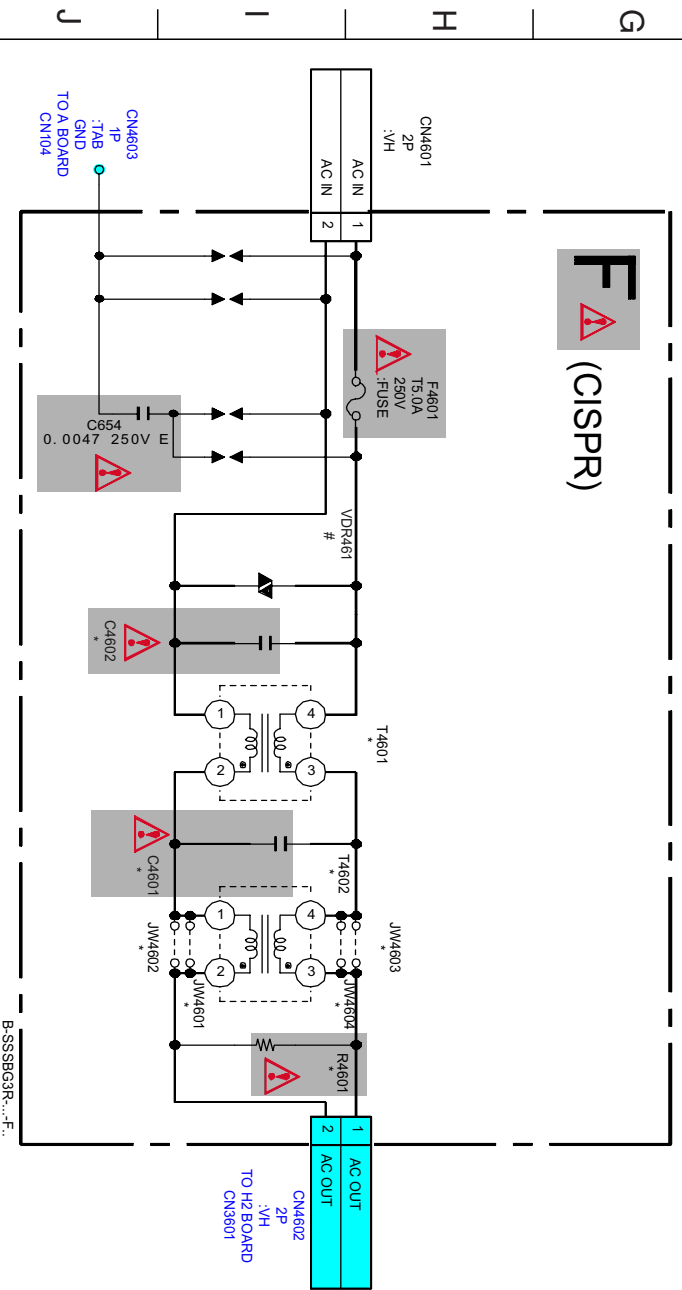
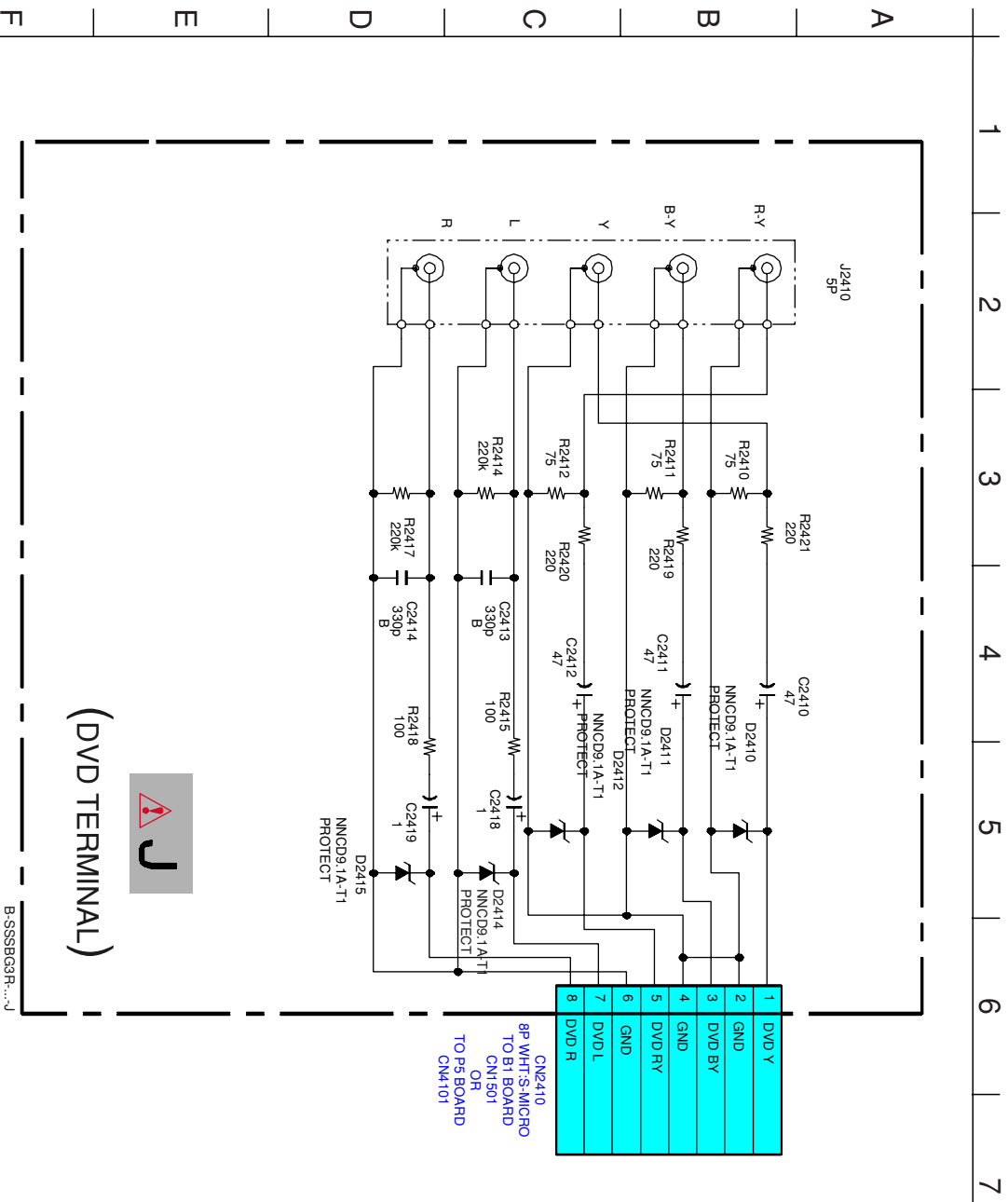


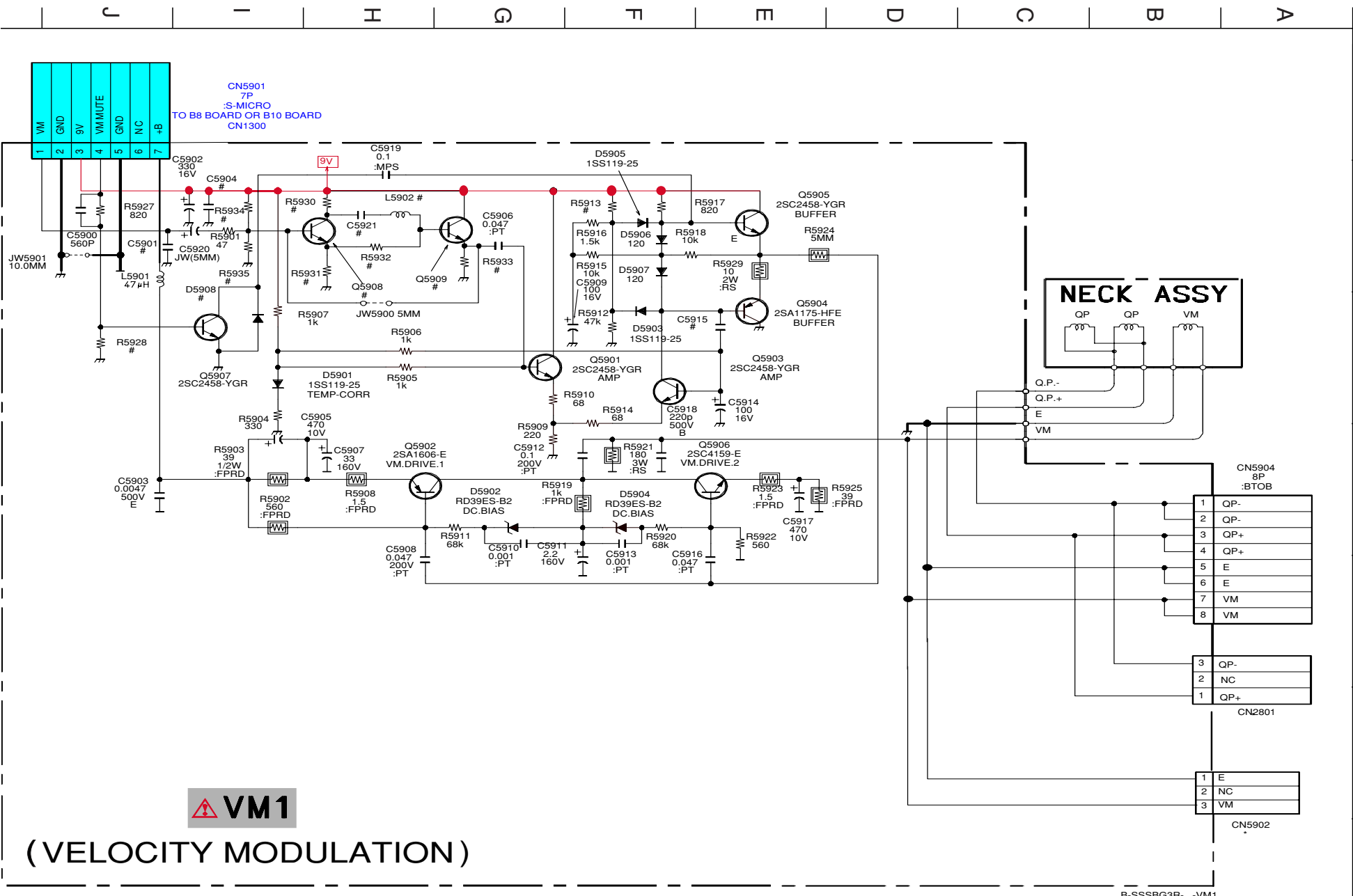
(RECEIVER, POWER SW, LED)



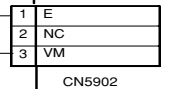
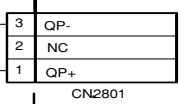
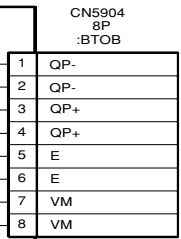
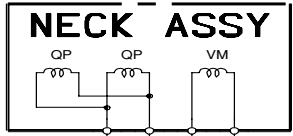
B-SSSBG3R...H2.

(10) J and F Boards Schematic Diagrams





(VELOCITY MODULATION)



B-SSSBG3R....-VM1

5-5. PRINTED WIRING BOARDS AND PARTS LOCATION

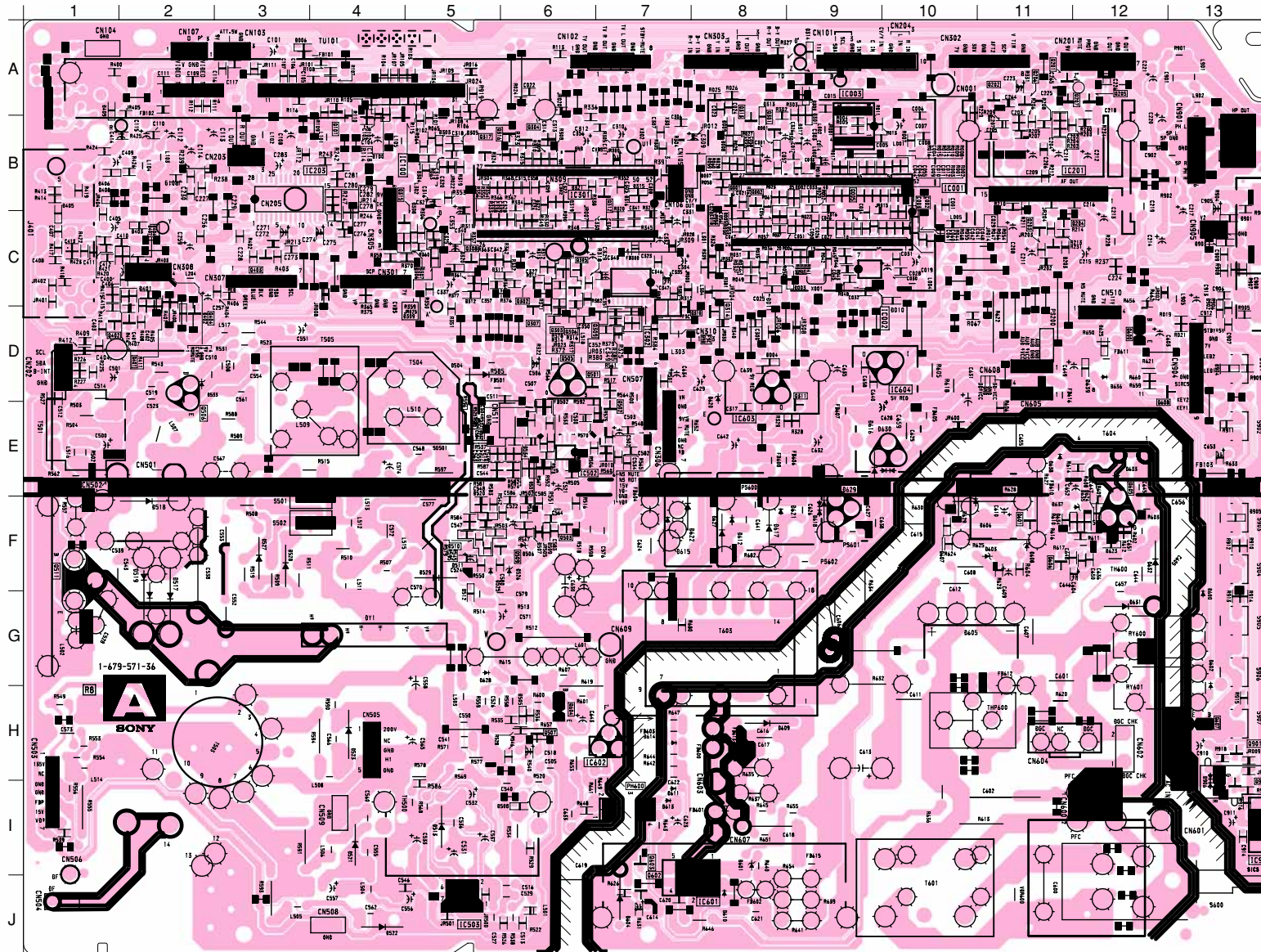
PRINTED WIRING BOARDS

A [SYSTEM CONTROLLER, Y/C JUNGLE, DEFLECTION, TUVIF, FRONT AMP, POWER SUPPLY]



NOTE:
The circuit indicated at left contains high voltage of over 1220 Vp-p. Please pay attention when inspecting or repairing it to prevent an electric shock.

- A Board - (Except KV-AR25M60)



A BOARD

IC	D409	A-1	D638	E-11	
IC001	B-10	D504	D-5	D639	D-12
IC002	D-10	D505	H-6	D901	C-13
IC003	A-9	D506	F-6	D902	C-13
IC100	B-4	D507	F-6	D903	C-13
IC201	B-12	D508	I-6	D904	D-13
IC203	B-4	D509	F-6	D905	F-13
IC301	B-6	D510	F-5	D906	I-13
IC302	D-7	D511	F-5	TRANSISTOR	
IC502	E-6	D512	G-5		
IC503	J-5	D513	I-5	Q001	B-8
IC601	J-8	D514	F-2	Q002	B-8
IC602	H-7	D515	F-2	Q005	B-9
IC603	E-8	D516	E-5	Q101	B-4
IC604	D-10	D517	I-4	Q201	A-11
IC901	I-13	D518	J-4	Q202	A-11
		D519	F-5	Q203	C-11
		D520	F-6	Q204	C-12
		D521	F-3	Q205	A-12
		D522	F-3	Q206	A-11
		D523	F-5	Q207	A-12
		D524	E-6	Q301	B-8
		D525	E-5	Q302	C-6
		D526	H-4	Q303	D-6
		D527	D-2	Q304	B-6
		D528	E-6	Q305	C-6
		D529	G-13	Q306	D-6
		D530	B-8	Q307	D-6
		D531	I-8	Q308	C-5
		D532	G-13	Q309	D-6
		D533	F-11	Q310	D-8
		D534	J-7	Q311	D-9
		D535	G-10	Q312	B-7
		D536	F-11	Q313	A-8
		D537	F-10	Q314	D-8
		D538	B-9	Q315	B-4
		D539	H-8	Q316	B-5
		D540	B-5	Q317	B-5
		D541	I-8	Q401	D-2
		D542	F-8	Q402	D-1
		D543	I-7	Q403	C-3
		D544	F-7	Q404	D-2
		D545	E-9	Q501	D-6
		D546	F-9	Q502	E-7
		D547	F-8	Q503	F-6
		D548	F-8	Q504	D-6
		D549	F-8	Q505	E-2
		D550	F-12	Q506	H-6
		D551	E-12	Q507	F-6
		D552	D-12	Q508	F-11
		D553	F-8	Q600	D-12
		D554	E-5	Q601	F-11
		D555	G-9	Q602	I-7
		D556	E-9	Q603	I-7
		D557	E-10	Q604	H-6
		D558	C-2	Q605	E-12
		D559	F-12	Q606	F-11
		D560	E-12	Q607	H-13
		D561	F-11	Q608	E-12
		D562	B-1	Q609	H-13
		D563	E-12	Q610	H-13
		D564	D-12	Q902	I-13
		D565	F-11		
		D566	F-11		
		D567	F-11		
		D568	F-11		
		D569	F-11		
		D570	F-11		
		D571	F-11		
		D572	F-11		
		D573	F-11		
		D574	F-11		
		D575	F-11		
		D576	F-11		
		D577	F-11		
		D578	F-11		
		D579	F-11		
		D580	F-11		
		D581	F-11		
		D582	F-11		
		D583	F-11		
		D584	F-11		
		D585	F-11		
		D586	F-11		
		D587	F-11		
		D588	F-11		
		D589	F-11		
		D590	F-11		
		D591	F-11		
		D592	F-11		
		D593	F-11		
		D594	F-11		
		D595	F-11		
		D596	F-11		
		D597	F-11		
		D598	F-11		
		D599	F-11		
		D600	F-11		
		D601	F-11		
		D602	F-11		
		D603	F-11		
		D604	F-11		
		D605	F-11		
		D606	F-11		
		D607	F-11		
		D608	F-11		
		D609	F-11		
		D610	F-11		
		D611	F-11		
		D612	F-11		
		D613	F-11		
		D614	F-11		
		D615	F-11		
		D616	F-11		
		D617	F-11		
		D618	F-11		
		D619	F-11		
		D620	F-11		
		D621	F-11		
		D622	F-11		
		D623	F-11		
		D624	F-11		
		D625	F-11		
		D626	F-11		
		D627	F-11		
		D628	F-11		
		D629	F-11		
		D630	F-11		
		D631	F-11		
		D632	F-11		
		D633	F-11		
		D634	F-11		
		D635	F-11		
		D636	F-11		
		D637	F-11		

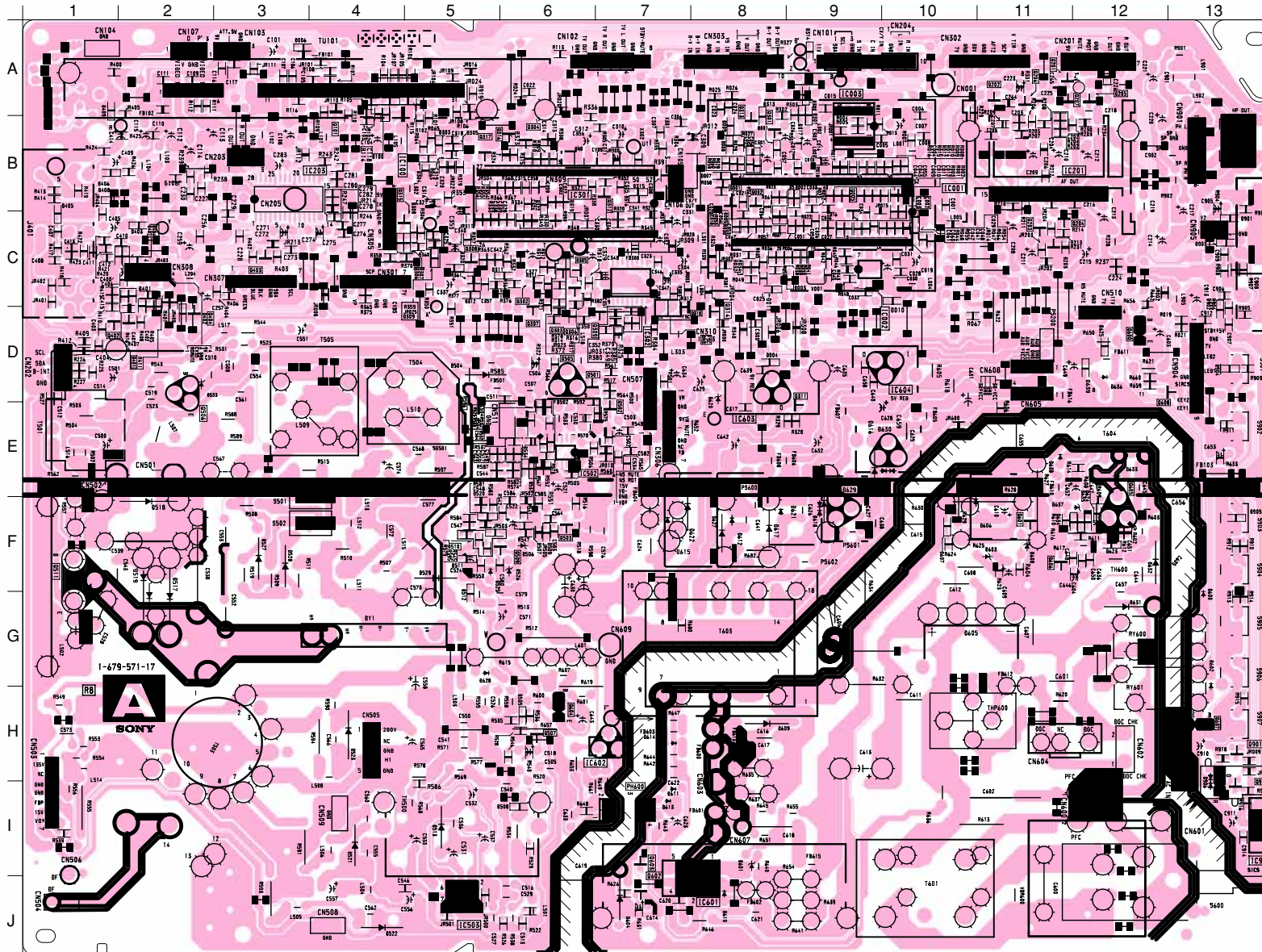
PRINTED WIRING BOARDS

A [SYSTEM CONTROLLER, Y/C JUNGLE, DEFLECTION, TUVIF, FRONT AMP, POWER SUPPLY]



NOTE:
 The circuit indicated at left contains high voltage of over 1220 Vp-p. Please pay attention when inspecting or repairing it to prevent an electric shock.

- A Board - (KV-AR25M60 Only)



A BOARD

IC	Q605	E-12	D521	I-4				
IC001	B-10	Q606	F-11	D522	J-4			
IC002	D-9	Q607	H-13	D523	H-4			
IC003	A-9	Q608	E-12	D525	F-5			
IC100	B-4	Q901	H-13	D526	F-6			
IC201	B-11	Q902	I-13	D527	F-3			
IC203	B-4	DIODE			D528	F-3		
IC301	B-6				D529	F-5		
IC302	D-7				D531	E-6		
IC502	E-6				D532	E-5		
IC503	J-5				D001	B-8	D533	D-2
IC601	J-8				D002	B-9	D534	E-6
IC602	H-6				D003	C-9	D600	G-13
IC603	E-8				D004	D-8	D601	I-8
IC604	D-10				D005	B-8	D602	G-13
IC901	I-13				D006	A-3	D603	F-11
TRANSISTOR								
Q001	B-8	D007	B-8	D604	J-7			
Q002	B-8	D008	B-8	D605	G-10			
Q005	B-9	D009	B-8	D606	I-11			
Q101	B-4	D010	C-10	D607	F-10			
Q201	A-11	D011	C-8	D608	F-11			
Q202	A-11	D100	B-4	D609	H-8			
Q203	C-11	D203	C-11	D610	J-8			
Q204	C-12	D300	A-9	D611	I-7			
Q205	A-12	D303	B-5	D613	I-7			
Q206	A-11	D304	B-5	D614	H-7			
Q207	A-12	D305	B-5	D615	F-7			
Q301	A-8	D306	C-5	D616	E-9			
Q302	C-6	D307	C-5	D617	F-8			
Q303	D-6	D308	B-5	D618	F-9			
Q304	B-6	D309	C-13	D620	D-8			
Q305	C-6	D311	C-5	D621	F-9			
Q306	D-6	D312	A-5	D622	F-7			
Q307	D-6	D313	A-8	D623	F-12			
Q308	C-5	D314	A-9	D624	E-12			
Q309	D-6	D315	B-7	D625	D-12			
Q310	D-8	D316	B-7	D627	F-8			
Q311	D-9	D317	B-9	D628	G-5			
Q312	B-7	D319	B-6	D629	E-9			
Q313	A-8	D320	C-5	D630	E-9			
Q314	D-8	D321	B-6	D631	G-12			
Q315	B-4	D322	B-6	D632	F-12			
Q316	B-5	D401	C-2	D633	E-12			
Q317	B-5	D402	D-2	D634	F-11			
Q401	D-2	D403	C-2	D635	E-12			
Q402	D-1	D404	C-2	D636	D-12			
Q403	C-3	D405	B-1	D637	E-11			
Q404	D-2	D406	B-1	D638	E-11			
Q501	D-6	D407	C-2	D639	D-12			
Q502	E-7	D408	B-1	D901	C-13			
Q503	F-6	D409	A-1	D902	C-13			
Q505	D-6	D504	D-5	D903	C-13			
Q506	E-2	D505	H-6	D904	D-13			
Q507	H-6	D506	F-6	D905	F-13			
Q509	F-6	D507	F-6	D906	I-13			
Q600	D-12	D508	I-5	PH600	I-7			
Q601	F-11	D509	F-5					
Q602	F-11	D510	F-6					
Q603	I-7	D511	F-5					
Q604	H-6	D512	F-5					
		D513	I-5					
		D517	F-2					
		D518	F-2					
		D519	F-2					
		D520	E-5					

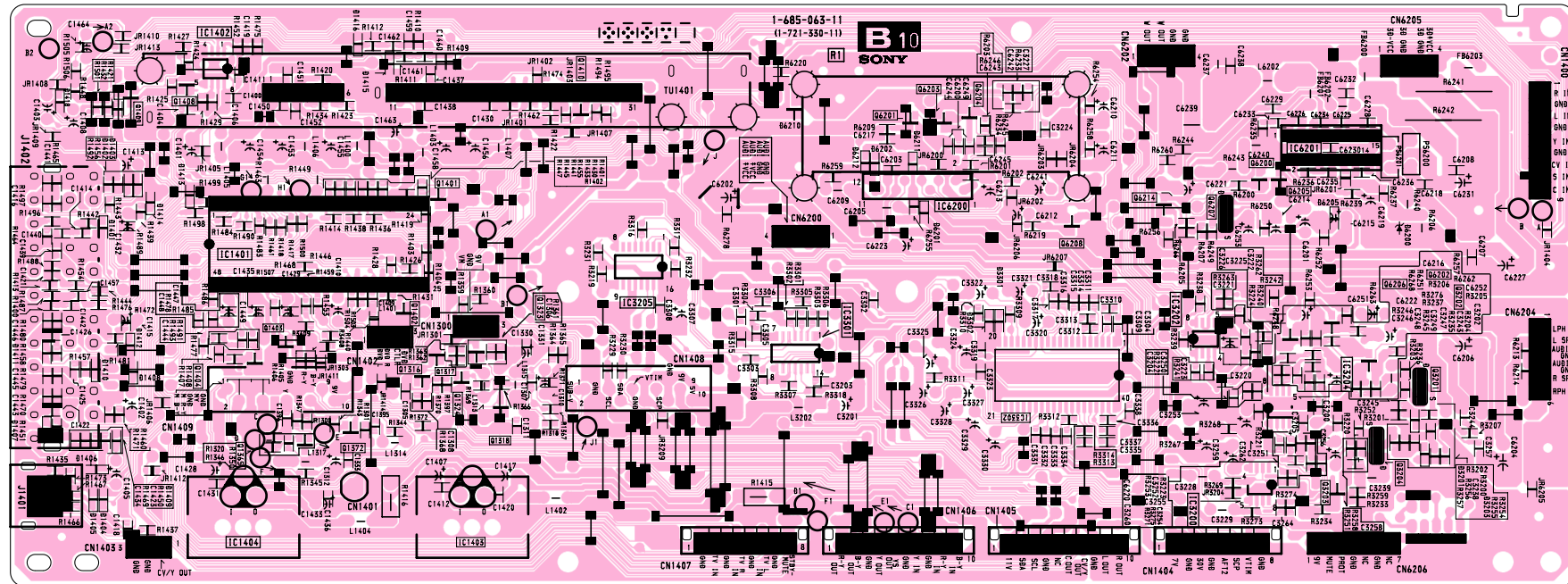
PRINTED WIRING BOARDS

B10 [AUDIO PROCESSOR, AUDIO AMP,
SUB TUNER, AV IN/OUT, VM DRIVER]

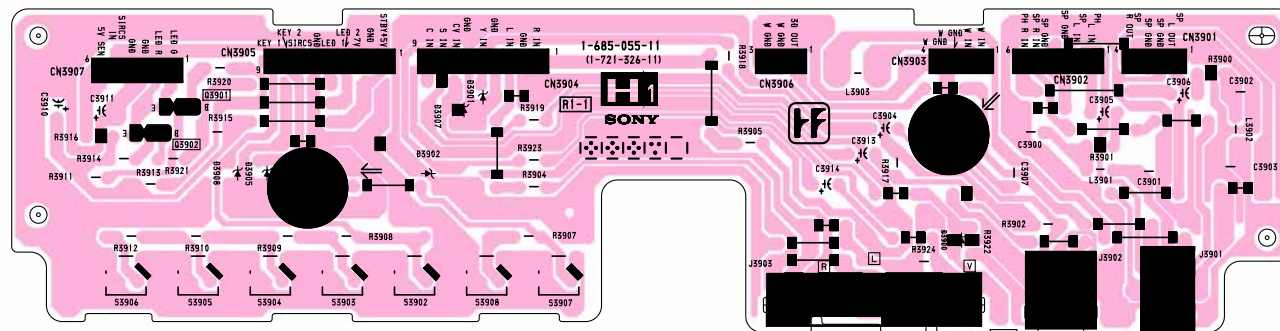
H1 [FRONT AV IN, KEY SW]

J [DVD TERMINAL]

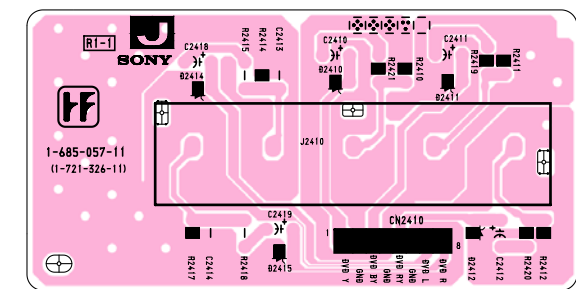
- B10 Board - (Except KV-AR25M66)



- H1 Board -



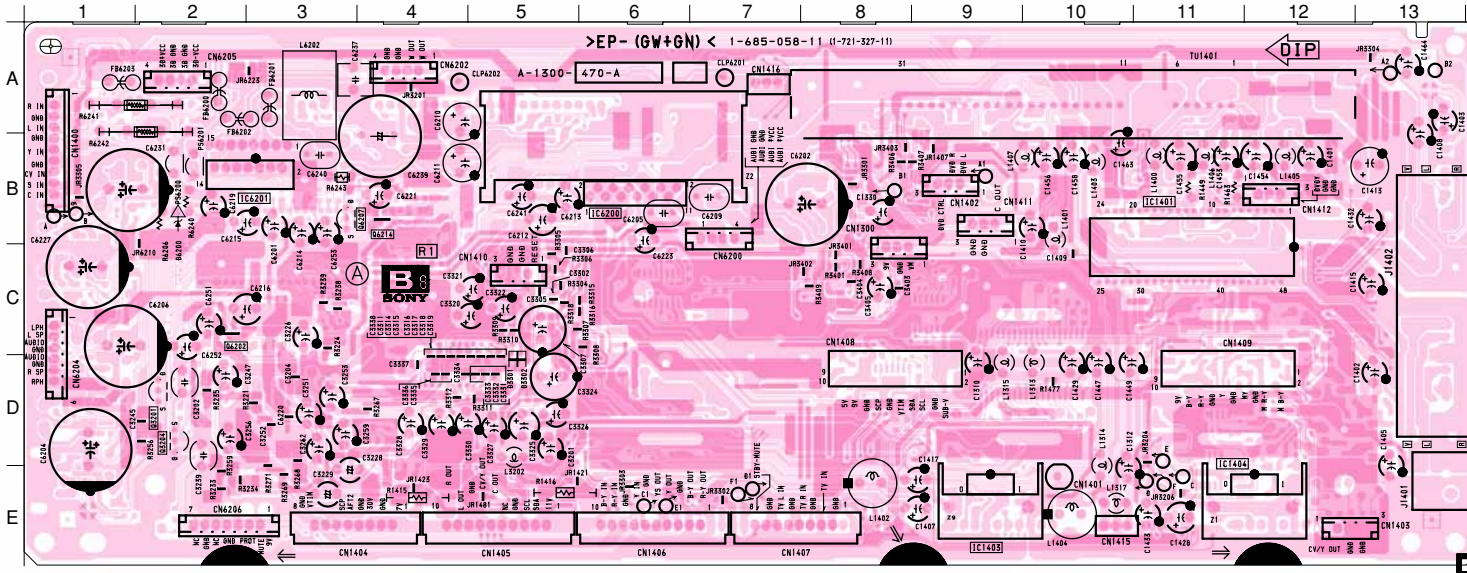
- J Board -



PRINTED WIRING BOARDS

B8 [AUDIO AMP, SURROUND PROCESSOR, AV IN/OUT, VM DRIVER]

- B8 Board - (Component Side) (KV-AR25M66)



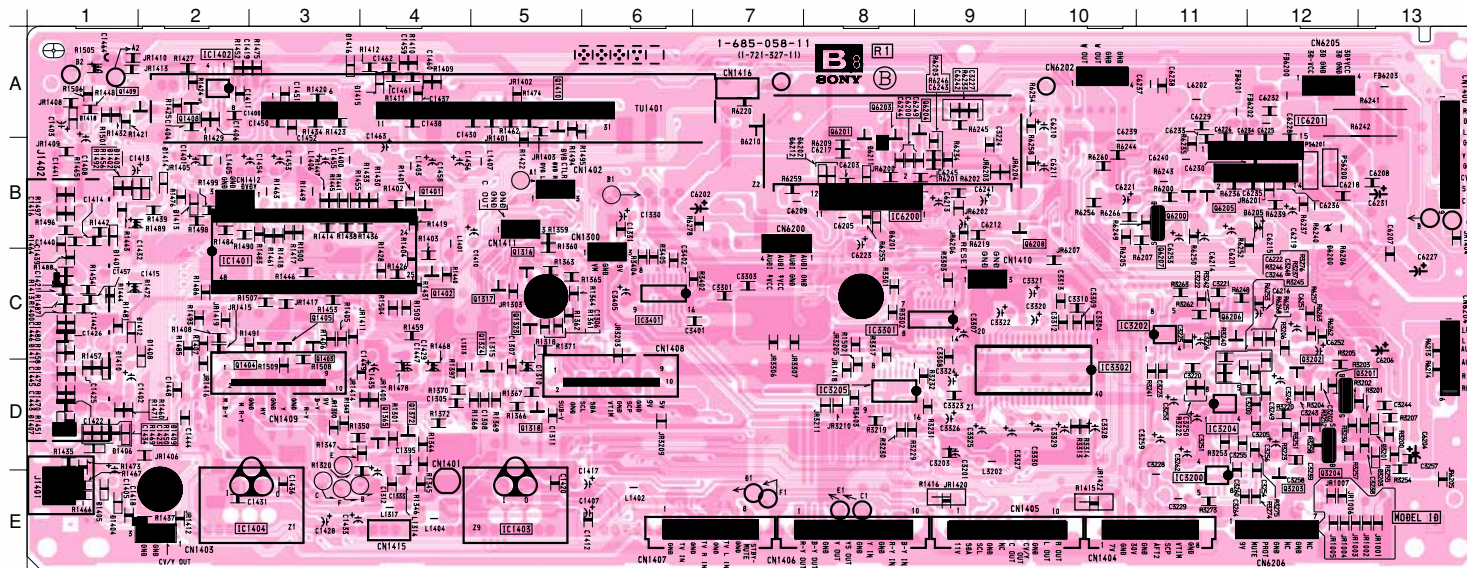
B8 BOARD (Component Side)

IC	
IC1401	B-1
IC1403	E-9
IC1404	F-11
IC6200	B-6
IC6201	B-3

TRANSISTOR	
Q3201	D-2
Q3204	D-2
Q6202	C-2
Q6207	B-4
Q6214	B-4

DIODE	
D3301	D-5
D3302	D-5
D6200	C-2

- B8 Board - (Conductor Side) (KV-AR25M66)



B8 BOARD (Conductor Side)

IC	TRANSISTOR	DIODE
IC1401	C-2	D1401 C-1
IC1402	A-2	D1402 B-1
IC1403	E-5	D1403 B-1
IC1404	E-3	D1404 E-1
IC3200	F-11	D1405 E-1
IC3202	C-10	D1406 D-1
IC3204	D-11	D1407 D-1
IC3205	D-8	D1408 C-2
IC3301	C-8	D1409 D-2
IC3302	D-10	D1410 C-1
IC3401	C-6	D1411 C-1
IC6200	B-8	D1412 C-2
IC6201	A-2	D1413 B-2
		D1414 B-2
		D1415 A-3
		D1416 A-3
		D1418 A-1
		D1419 A-1
		D1420 E-13
		D1421 E-13
		D1422 E-13
		D6200 C-1
		D6201 B-8
		D6202 B-7
		D6205 A-9
		D6206 B-7
		D6211 B-8
		D6212 B-7
		D6208 B-10

- :Pattern from the side which enables seeing.
- :Pattern from the rear side.

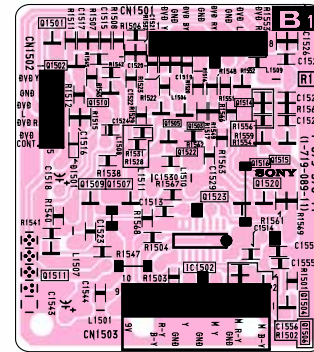
PRINTED WIRING BOARDS

P5 [PICTURE IN PICTURE, DVD SWITCH, DIGITAL TEXTURE ENHANCER]

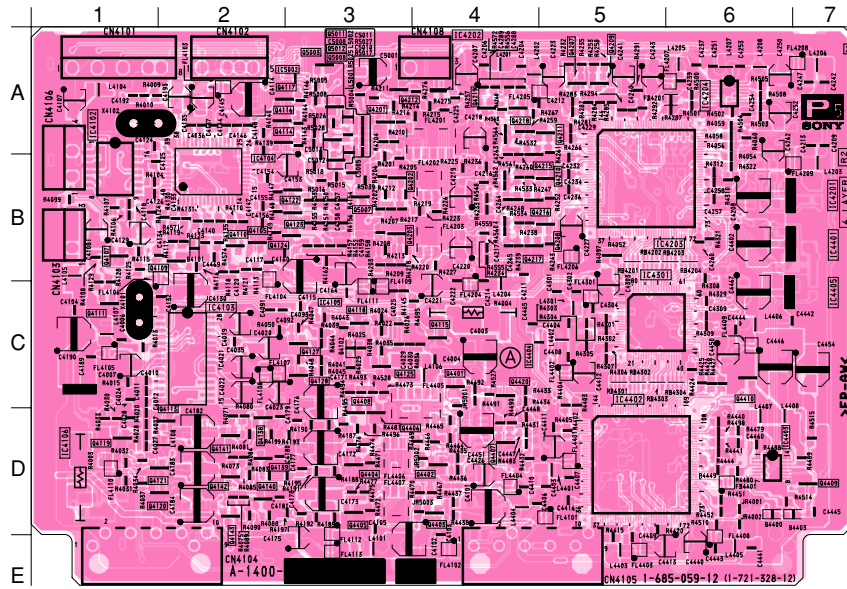
B1 [DVD SWITCH]

F [CISPR]

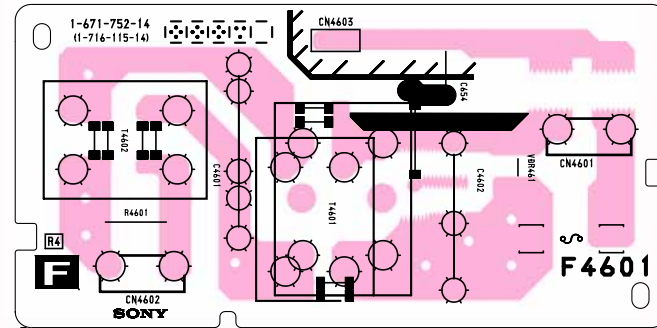
- B1 Board - (Except KV-AR25M66)



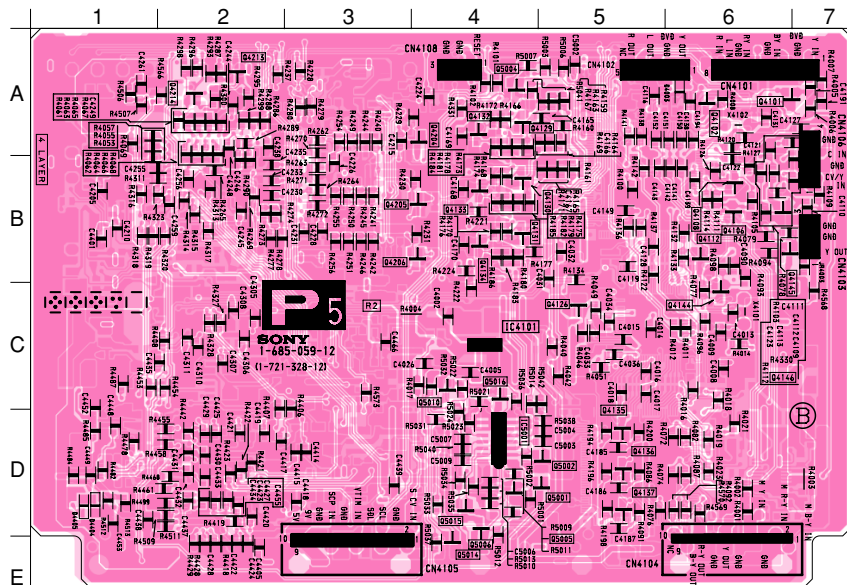
- P5 Board - (Component Side) (KV-AR25M66)



- F Board -



- P5 Board - (Conductor Side) (KV-AR25M66)



P5 BOARD (Component Side)

IC	Q4114 A-2	Q4210 B-5
IC4102 A-1	Q4115 C-4	Q4211 A-5
IC4103 C-2	Q4116 A-2	Q4212 A-3
IC4104 B-2	Q4117 A-3	Q4215 B-5
IC4105 C-3	Q4118 C-3	Q4216 B-5
IC4106 D-1	Q4119 D-1	Q4217 B-4
IC4201 B-7	Q4120 D-2	Q4218 A-4
IC4202 A-4	Q4121 D-2	Q4219 A-4
IC4203 B-5	Q4122 B-3	Q4401 C-4
IC4204 A-6	Q4123 B-3	Q4402 D-4
IC4301 B-5	Q4124 B-2	Q4403 D-4
IC4401 B-7	Q4125 C-3	Q4404 D-3
IC4402 C-5	Q4127 C-3	Q4405 D-3
IC4403 D-6	Q4128 C-3	Q4406 D-4
IC4404 C-4	Q4138 D-2	Q4407 D-4
IC4405 C-7	Q4139 D-2	Q4408 C-3
	Q4140 D-2	Q4409 D-7
	Q4141 D-2	Q4410 C-6
	Q4142 D-2	Q4420 C-4
	Q4143 E-2	
TRANSISTOR	Q4201 A-3	DIODE
Q4105 B-2	Q4202 B-4	D4101 B-2
Q4107 B-1	Q4203 B-4	D4400 D-6
Q4109 B-2	Q4207 A-5	
Q4110 B-2	Q4208 B-5	
Q4111 C-1	Q4209 A-5	
Q4113 D-2		

P5 BOARD (Conductor Side)

IC	Q4134 B-4
IC4101 C-4	Q4135 D-5
	Q4136 D-5
	Q4137 D-5
TRANSISTOR	Q4144 C-6
	Q4145 B-7
	Q4146 C-6
Q4101 A-6	Q4204 A-4
Q4102 A-6	Q4205 B-3
Q4106 B-6	Q4206 B-3
Q4108 B-6	Q4213 A-2
Q4112 B-6	
Q4126 C-5	
Q4129 A-5	
Q4130 B-5	
Q4131 B-5	D4003 A-5
Q4132 A-4	D4404 D-1
Q4133 B-4	D4405 D-1

- :Pattern from the side which enables seeing.
- :Pattern from the rear side.

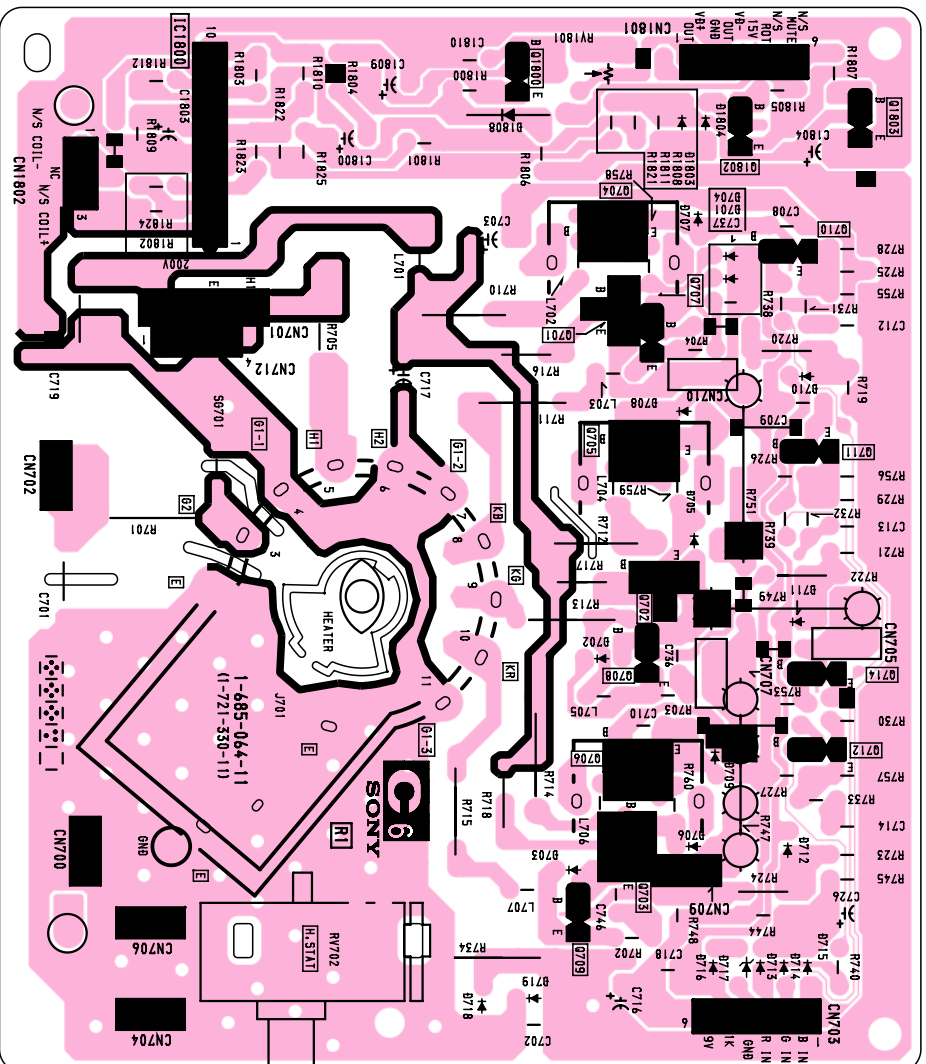
KV-AR25M66/AR25M60/AR25M80
RM-993
KV-AR25N90
RM-996

PRINTED WIRING BOARDS

C6

[VIDEO AMP, ROTATION CIRCUIT]

— C6 Board — (Except KV-AR25M66)

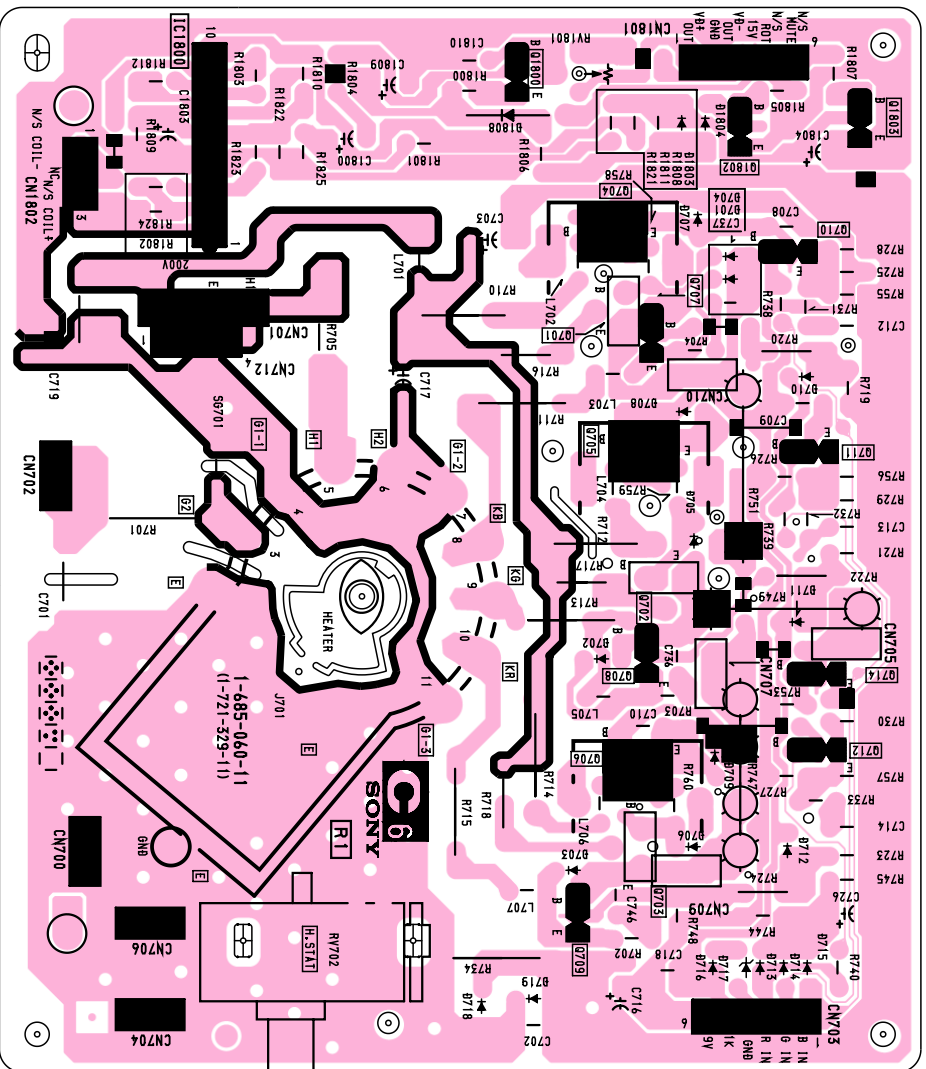


PRINTED WIRING BOARDS

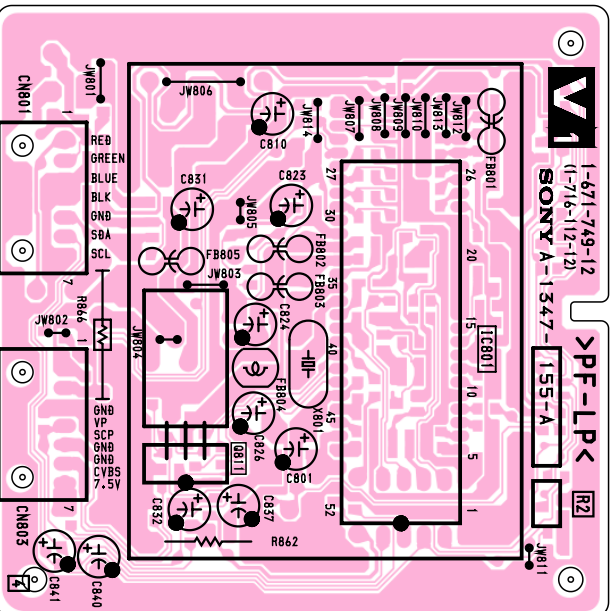
C6 [VIDEO AMP, ROTATION CIRCUIT]

V1 [TELETEXT]

— C6 Board — (KV-AR25M66)



— V1 Board — (KV-AR25M66)

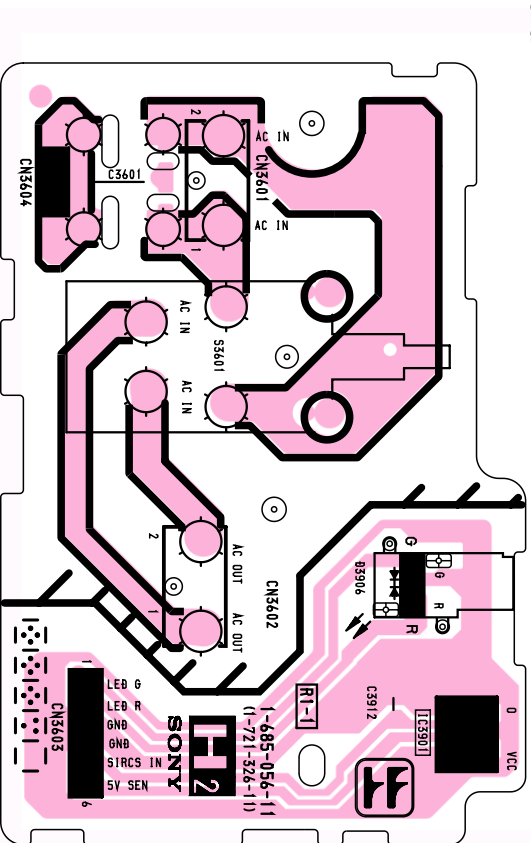


PRINTED WIRING BOARDS

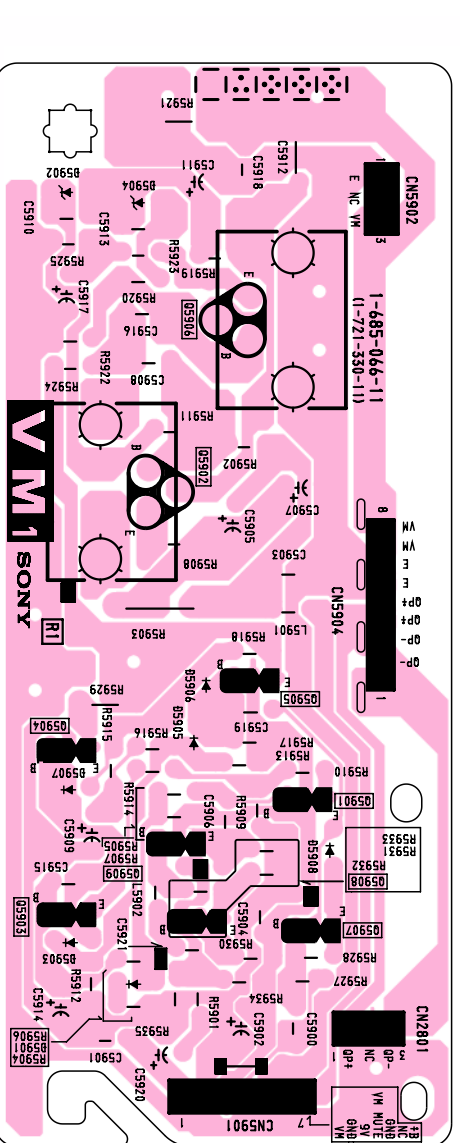
H2 [RECEIVER, POWER SW, LED]

VM1 [VELOCITY MODULATION]

— H2 Board —



— VM1 Board — (Except KV-AR25M66)



— VM1 Board — (KV-AR25M66)

