



2M Bit OTP Memory IC

PT28C020

DESCRIPTION

PT28C020 is a 2M Bit OTP Memory IC utilizing CMOS Technology. It is organized as 256K x 8 bits and has a read access time of 90 nS. Housed in 32-pin, PDIP or PLCC package, PT28C020's pin configuration, programming algorithm and command register are compatible with 27C020.

FEATURES

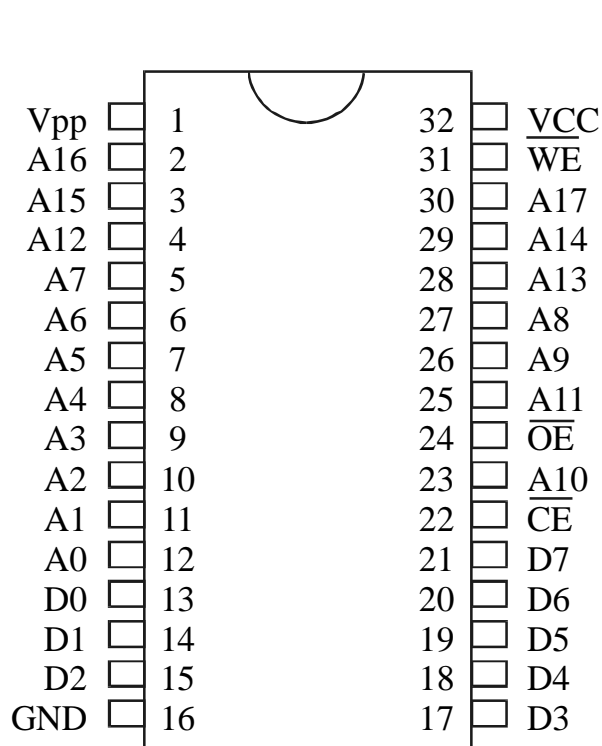
- High Performance CMOS Technology
- Low Power Consumption
- Read Access Time: 90 ns
- On-board, or Programmer Programming
- 12.75 V Programming Voltage
- Typical Programming Pulse Duration-10 us
- 30mA Active Current
- 20uA Standby Current
- Fast Turn-Off for Microprocessor Compatibility
- Compatible with 27020 & 27C020 EPROMs
- JEDEC standard pin configuration
- 32-pin PDIP package
- 32-pin PLCC package



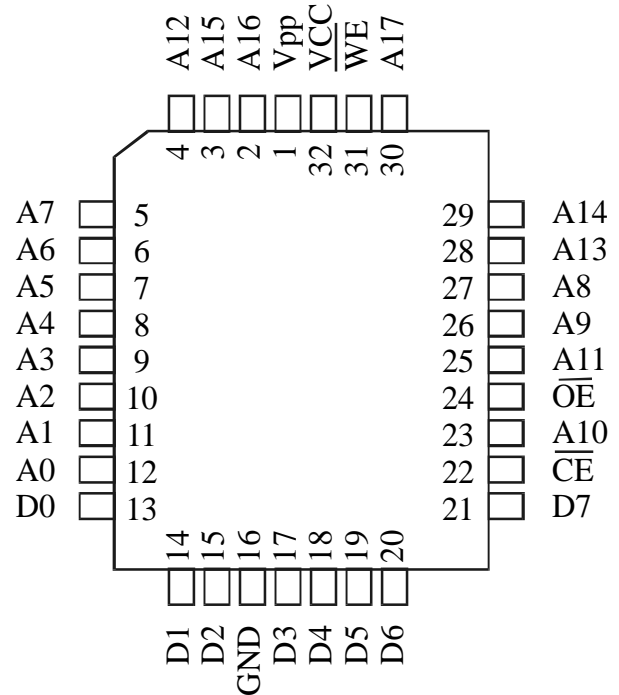
2M Bit OTP Memory IC

PT28C020

PIN CONFIGURATION



PT28C020-90



PT28C020P-90

ORDER INFORMATION

Valid Part Number	Package Type
PT28C020-90	32 Pins, DIP Package (600 mil)
PT28C020P-90	32 Pins, PLCC Package