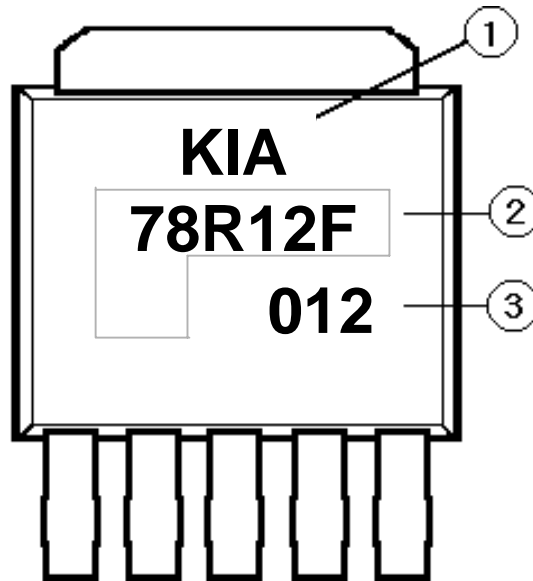


1. Marking method

Laser Marking or Ink Marking

2. Marking



No.	Item	Marking	Description		
1	Trade Name	KIA	KEC Analog Integrated Circuit		
2	Device Name	78R12F	KIA78R12F		
3	Lot No.	012	0	Year	0 ~ 9 : 2000~2009
			12	Week	12 : 12th Week