



VERTICAL DEFLECTION BOOSTER

FEATURES SUMMARY

- POWER AMPLIFIER
- THERMAL PROTECTION
- OUTPUT CURRENT UP TO 2.6A_{PP}
- FLYBACK VOLTAGE UP TO 90V (on Pin 5)
- SUITABLE FOR DC COUPLING APPLICATION
- EXTERNAL FLYBACK SUPPLY

DESCRIPTION

Designed for monitors and high performance TVs, the STV9379FA vertical deflection booster can handle flyback voltage up to 90V. Further to this, it is possible to have a flyback voltage which is more than the double of the supply (Pin 2). This allows to decrease the power consumption, or to decrease the flyback time for a given supply voltage. The STV9379FA operates with supplies up to 42V and provides up to 2.6APP output current to drive the yoke.

The STV9379FA is offered in HEPTAWATT package.

Figure 1. Package

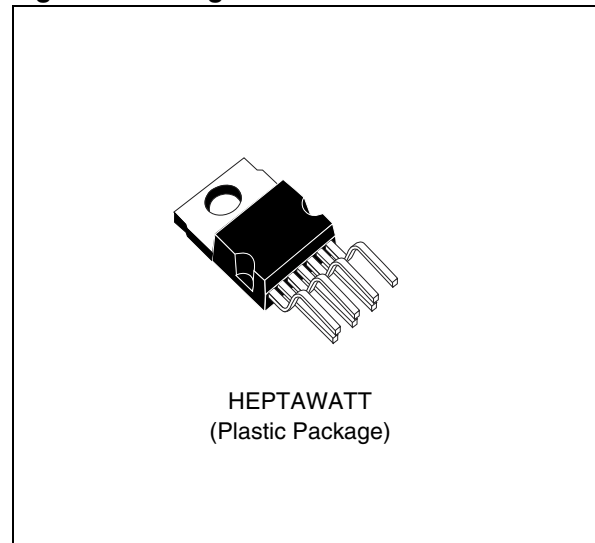


Figure 2. Pin Connections

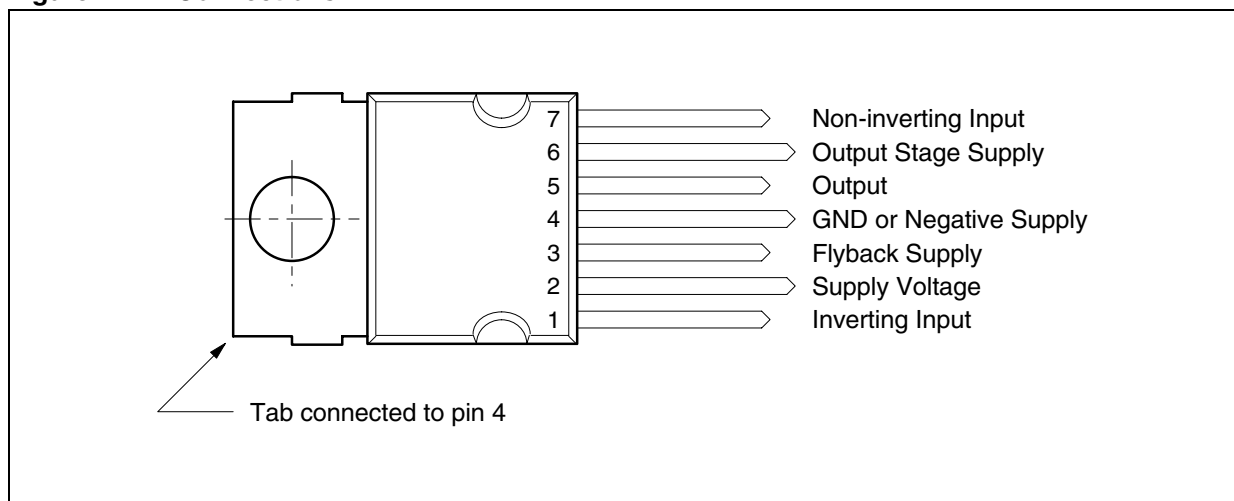


Figure 3. Block Diagram

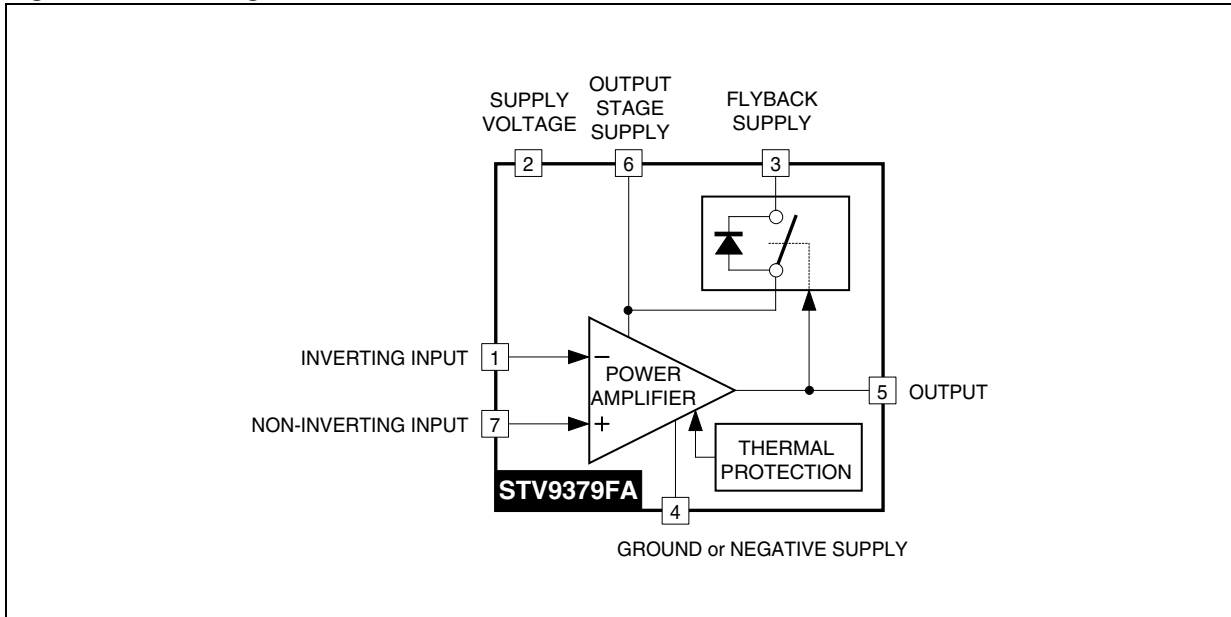


Table 1. Absolute Maximum Ratings

Symbol	Parameter	Value	Unit
V_S	Supply Voltage (Pin 2) (see note 1)	50	V
V_6	Flyback Peak Voltage (Pin 6) (see note 1)	100	V
V_1, V_7	Amplifier Input Voltage (Pins 1-7) (see note 1)	- 0.3, + V_S	V
I_O	Maximum Output Peak Current (see notes 2 and 3)	1.8	A
I_3	Maximum Sink Current ($t < 1\text{ms}$)	1.8	A
I_3	Maximum Source Current ($t < 1\text{ms}$) (in the diode, see Block Diagram) (see note 2)	1.8	A
V_{ESD}	ESD susceptibility : EIAJ Norm (200pF discharged through 0Ω)	300	V
$V_3 - V_2$	Voltage Difference between Flyback Supply and Supply Voltage	50	V
T_{OPER}	Operating Ambient Temperature	- 20, + 75	°C
T_{STG}	Storage Temperature	- 40, + 150	°C
T_j	Junction Temperature	+ 150	°C

Note: 1. Versus Pin 4.
 2. The output current can reach 5A peak for $t \leq 10\mu\text{s}$ (up to 120Hz).
 3. Provided SOAR is respected (see Figures 6 and 7).

Table 2. Thermal Data

Symbol	Parameter	Value	Unit
$R_{th(j-c)}$	Junction-case Thermal Resistance Max	3	°C/W
T_t	Temperature for Thermal Shutdown	150	°C
ΔT_t	Hysteresis on T_t	10	°C
T_{jr}	Recommended Max. Junction Temperature	120	°C

Table 3. ELECTRICAL CHARACTERISTICS(V_S = 42V, T_A = 25°C, unless otherwise specified)

Symbol	Parameter	Test Conditions	Min.	Typ.	Max.	Unit
V _S	Operating Supply Voltage Range	Versus Pin 4	10		42	V
V _{3M}	Operating Flyback Supply Voltage (V _{3M} ≤ V _S + 50V)	Versus Pin 4	V _S		70	V
I ₂	Pin 2 Quiescent Current	I ₃ = 0, I ₅ = 0		13	20	mA
I ₆	Pin 6 Quiescent Current	I ₃ = 0, I ₅ = 0	5	10	30	mA
I _O	Max. Operating Peak Output Current				1.3	A
I ₁	Amplifier Bias Current	V ₁ = 22V, V ₇ = 23V		- 0.15	- 1	μA
I ₇	Amplifier Bias Current	V ₁ = 23V, V ₇ = 22V		- 0.15	- 1	μA
V _{IO}	Offset Voltage				7	mV
ΔV _{IO} /dt	Offset Drift versus Temperature			- 10		μV/°C
GV	Voltage Gain		80			dB
V _{5L}	Output Saturation Voltage to GND (Pin 4)	I ₅ = 1.3A		1	1.6	V
V _{5H}	Output Saturation Voltage to Supply (Pin 6)	I ₅ = - 1.3A		1.6	2.2	V
V _{D5-6}	Diode Forward Voltage between Pins 5-6	I ₅ = 1.3A		1.4	2.1	V
V _{D3-6}	Diode Forward Voltage between Pins 3-6	I ₃ = 1.3A		1.7	2.5	V
V ₃₋₆	Voltage Drop between Pins 3-6 (2nd part of flyback)	I ₃ = - 1.3A		2.9	3.6	V

APPLICATION CIRCUITS

Figure 4. AC Coupling

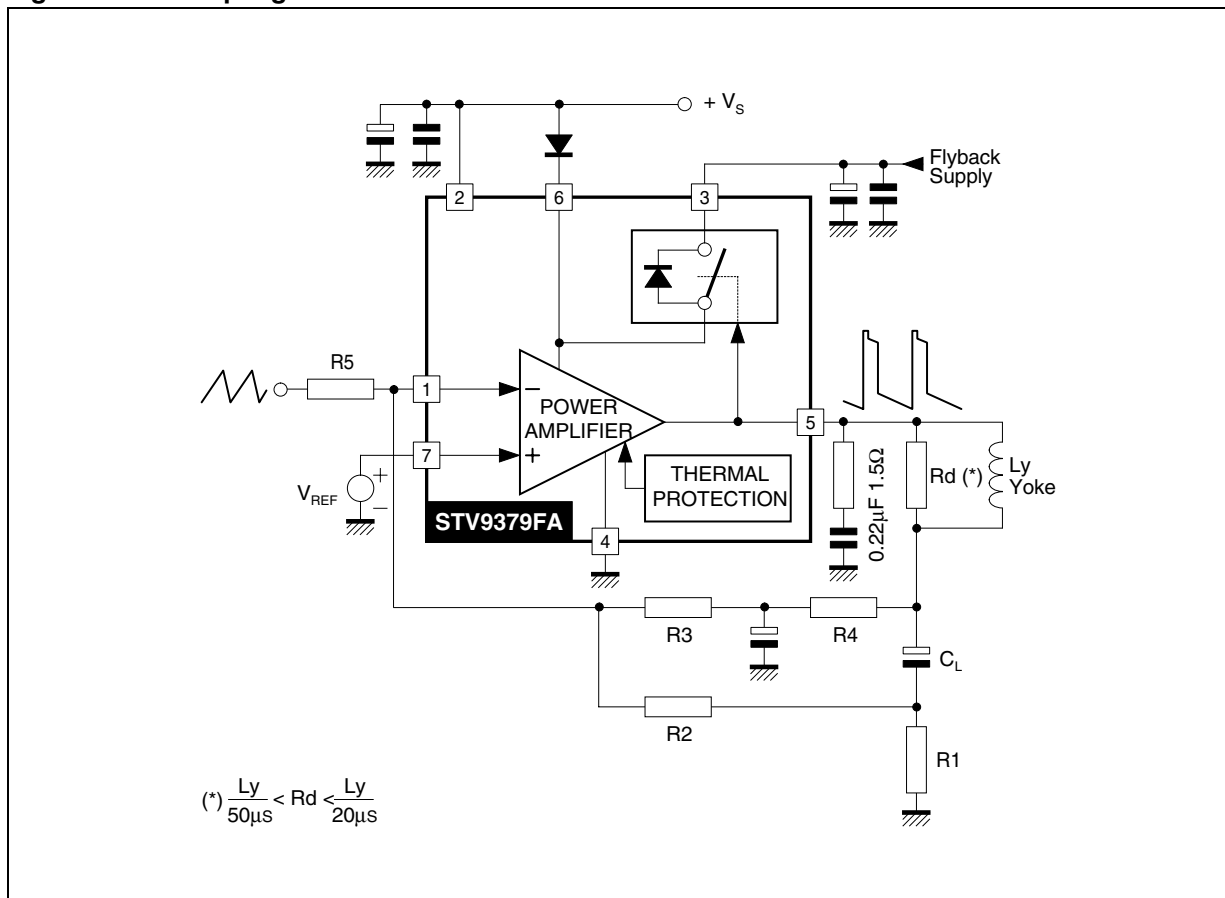


Figure 5. DC Coupling

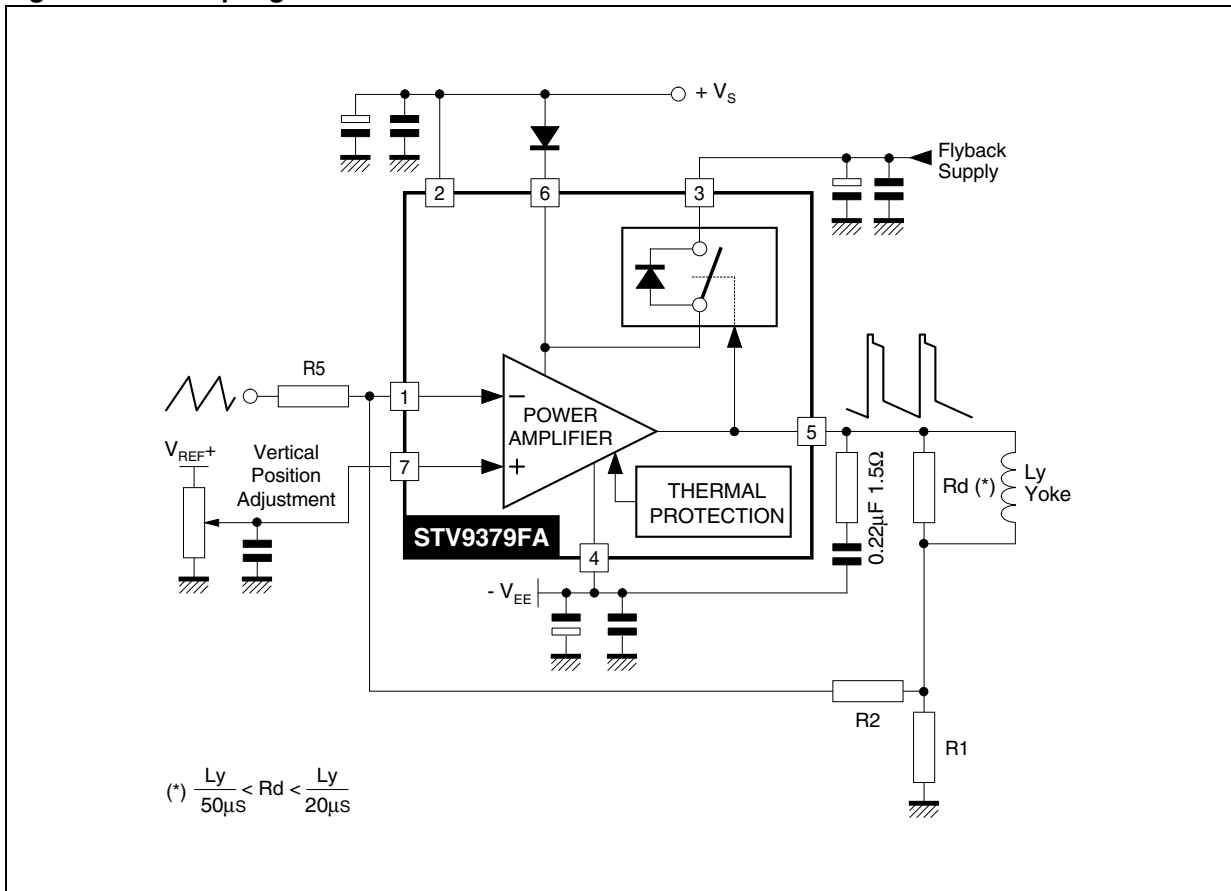


Figure 6. Output Transistors SOA (for secondary breakdown)

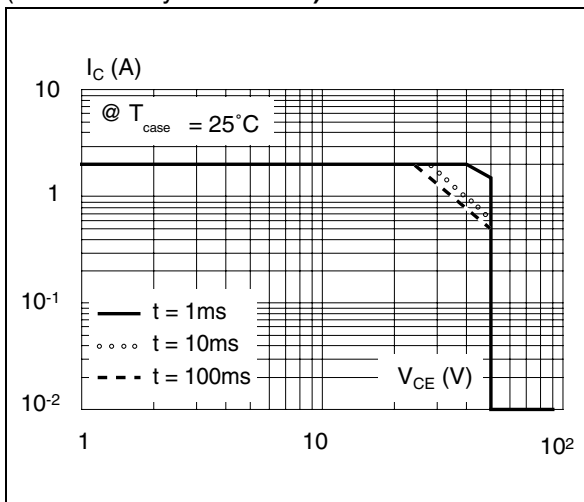
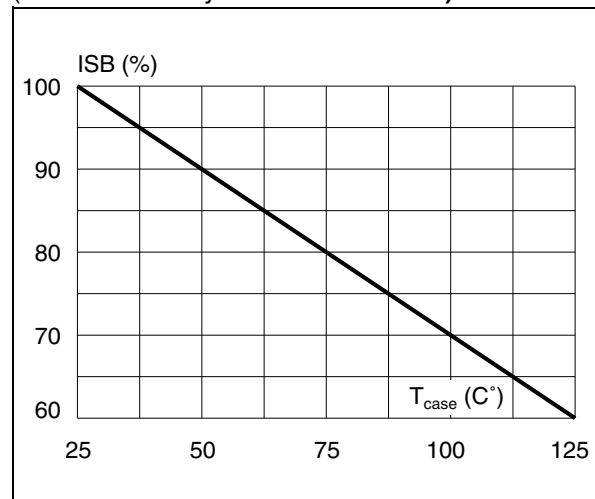


Figure 7. Secondary Breakdown Temperature Derating Curve (ISB = secondary breakdown current)



STV9379FA

PART NUMBERING

Table 4. Order Codes

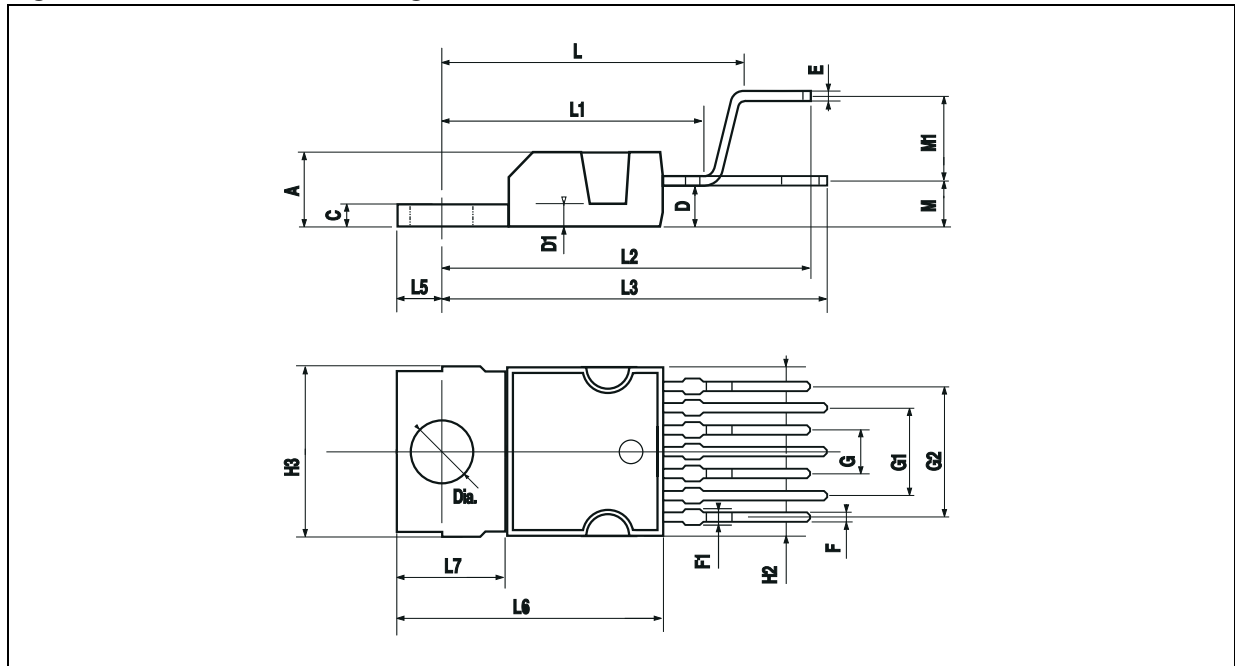
Part Number	Package	Temperature Range
STV9379FA	HEPTAWATT7	-25 to 85 °C

PACKAGE MECHANICAL

Table 5. HEPTAWATT7 - Mechanical Data

Symbol	millimeters			inches		
	Typ	Min	Max	Typ	Min	Max
A			4.8			0.189
C			1.37			0.054
D	2.4		2.8	0.094		0.110
D1	1.2		1.35	0.047		0.053
E	0.35		0.55	0.014		0.022
F	0.6		0.8	0.024		0.031
F1			0.9			0.035
G	2.41	2.54	2.67	0.095	0.100	0.105
G1	4.91	5.08	5.21	0.193	0.200	0.205
G2	7.49	7.62	7.8	0.295	0.300	0.307
H2			10.4			0.409
H3	10.05		10.4	0.396		0.409
L		16.97			0.668	
L1		14.92			0.587	
L2		21.54			0.848	
L3		22.62			0.891	
L5	2.6		3	0.102		0.118
L6	15.1		15.8	0.594		0.622
L7	6		6.6	0.236		0.260
M		2.8			0.110	
M1		5.08			0.200	
Dia.	3.65		3.85	0.144		0.152

Figure 8. HEPTAWATT7 - Package Dimensions



Note: Drawing is not to scale

REVISION HISTORY

Table 6. Revision History

Date	Revision	Description of Changes
June-1998	1	First Issue
14-Apr-2004	2	Stylesheet update. No content change.

Information furnished is believed to be accurate and reliable. However, STMicroelectronics assumes no responsibility for the consequences of use of such information nor for any infringement of patents or other rights of third parties which may result from its use. No license is granted by implication or otherwise under any patent or patent rights of STMicroelectronics. Specifications mentioned in this publication are subject to change without notice. This publication supersedes and replaces all information previously supplied. STMicroelectronics products are not authorized for use as critical components in life support devices or systems without express written approval of STMicroelectronics.

The ST logo is a registered trademark of STMicroelectronics.
All other names are the property of their respective owners

© 2004 STMicroelectronics - All rights reserved

STMicroelectronics GROUP OF COMPANIES

Australia - Belgium - Brazil - Canada - China - Czech Republic - Finland - France - Germany - Hong Kong - India - Israel - Italy - Japan -
Malaysia - Malta - Morocco - Singapore - Spain - Sweden - Switzerland - United Kingdom - United States

www.st.com