



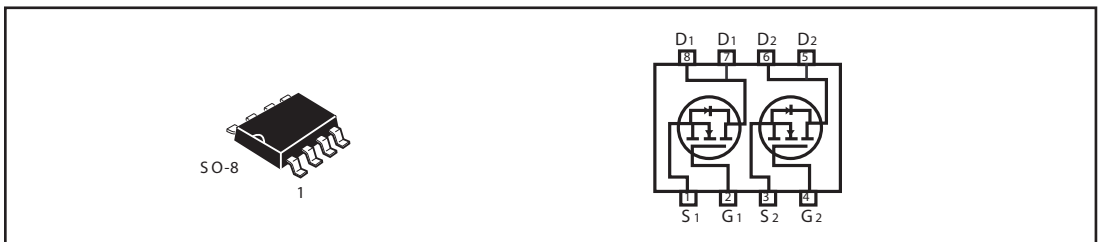
STM6930A

Dual N-Channel Enhancement Mode Field Effect Transistor

PRODUCT SUMMARY		
V _{DSS}	I _D	R _{DS(ON)} (mΩ) Max
55V	4.8A	50 @ V _{GS} = 10V 75 @ V _{GS} = 4.5V

FEATURES

- Super high dense cell design for low R_{DS(ON)}.
- Rugged and reliable.
- Surface Mount Package.



ABSOLUTE MAXIMUM RATINGS (T_A=25°C unless otherwise noted)

Parameter	Symbol	Limit	Unit	
Drain-Source Voltage Rating	V _{spike} ^d	60	V	
Drain-Source Voltage	V _{DS}	55	V	
Gate-Source Voltage	V _{GS}	±20	V	
Drain Current-Continuous ^a @ T _a	I _D	25°C	4.8	A
		70°C	4.1	A
-Pulsed ^b	I _{DM}	25	A	
Drain-Source Diode Forward Current ^a	I _S	1.7	A	
Maximum Power Dissipation ^a	P _D	T _a =25°C	2	W
		T _a =70°C	1.44	
Operating Junction and Storage Temperature Range	T _J , T _{STG}	-55 to 150	°C	

THERMAL CHARACTERISTICS

Thermal Resistance, Junction-to-Ambient ^a	R _{θJA}	62.5	°C/W
--	------------------	------	------

STM6930A

ELECTRICAL CHARACTERISTICS (T_A 25°C unless otherwise noted)

Parameter	Symbol	Condition	Min	Typ ^c	Max	Unit
OFF CHARACTERISTICS						
Drain-Source Breakdown Voltage	BV _{DSS}	V _{GS} = 0V, I _D = 250uA	55			V
Zero Gate Voltage Drain Current	I _{DSS}	V _{DS} = 44V, V _{GS} = 0V			1	uA
Gate-Body Leakage	I _{GSS}	V _{GS} = ±20V, V _{DS} = 0V			±100	nA
ON CHARACTERISTICS^b						
Gate Threshold Voltage	V _{GS(th)}	V _{DS} = V _{GS} , I _D = 250uA	1.0	1.8	2.5	V
Drain-Source On-State Resistance	R _{DS(ON)}	V _{GS} = 10V, I _D = 4.5A		38	50	m ohm
		V _{GS} = 4.5V, I _D = 3A		60	75	m ohm
On-State Drain Current	I _{D(ON)}	V _{DS} = 5V, V _{GS} = 10V	20			A
Forward Transconductance	g _{FS}	V _{DS} = 5V, I _D = 4.5A		7		S
DYNAMIC CHARACTERISTICS^c						
Input Capacitance	C _{ISS}	V _{DS} = 25V, V _{GS} = 0V f = 1.0MHz		620	735	pF
Output Capacitance	C _{OSS}			80	95	pF
Reverse Transfer Capacitance	C _{RSS}			33	35	pF
Gate resistance	R _g	V _{GS} = 0V, V _{DS} = 0V, f = 1.0MHz		5		ohm
SWITCHING CHARACTERISTICS^c						
Turn-On Delay Time	t _{D(ON)}	V _{DD} = 30V I _D = 4.5 A V _{GS} = 10V R _{GEN} = 6 ohm		3.2	3.8	ns
Rise Time	t _r			10.1	12	ns
Turn-Off Delay Time	t _{D(OFF)}			13.3	15.3	ns
Fall Time	t _f			8.3	9.6	ns
Total Gate Charge	Q _g	V _{DS} = 48V, I _D = 4.5A, V _{GS} = 10V		12.95	15.2	nC
		V _{DS} = 48V, I _D = 4.5A, V _{GS} = 4.5V		7.2	8.2	nC
Gate-Source Charge	Q _{gs}	V _{DS} = 48V, I _D = 4.5 A		2.1	2.5	nC
Gate-Drain Charge	Q _{gd}	V _{GS} = 10V		3.9	4.5	nC

STM6930A

ELECTRICAL CHARACTERISTICS ($T_A=25^{\circ}\text{C}$ unless otherwise noted)

Parameter	Symbol	Condition	Min	Typ ^c	Max	Unit
DRAIN-SOURCE DIODE CHARACTERISTICS^b						
Diode Forward Voltage	V_{SD}	$V_{GS} = 0V, I_s = 1.7A$		0.8	1.2	V

Notes

- a. Surface Mounted on FR4 Board, $t \leq 10\text{sec}$.
- b. Pulse Test: Pulse Width $\leq 300\mu\text{s}$, Duty Cycle $\leq 2\%$.
- c. Guaranteed by design, not subject to production testing.
- d. Guaranteed when external $R_g = 6\text{ohm}$ and $t_f < t_{f\text{max}}$

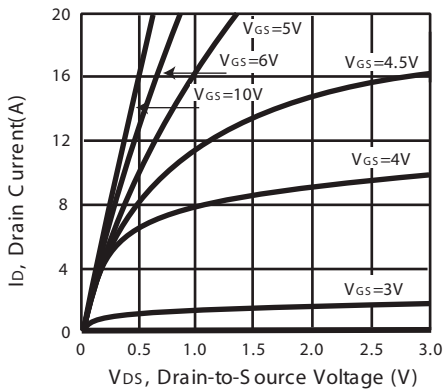


Figure 1. Output Characteristics

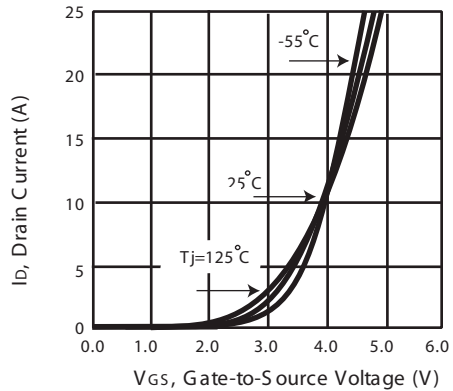


Figure 2. Transfer Characteristics

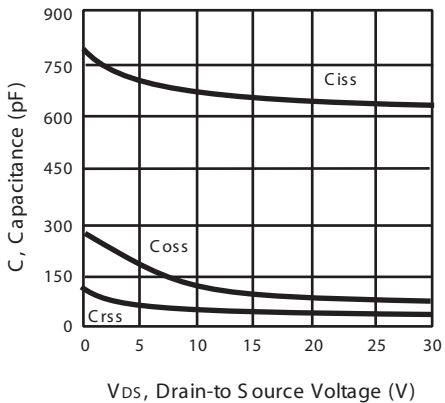


Figure 3. Capacitance

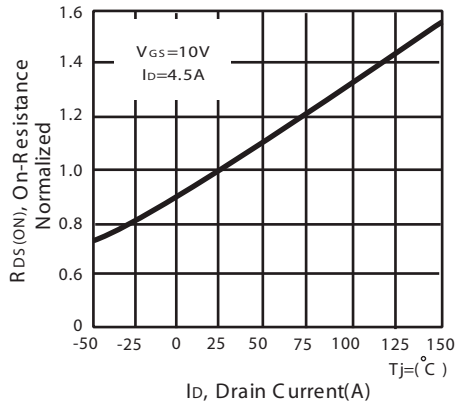


Figure 4. On-Resistance Variation with Drain Current and Temperature

STM6930A

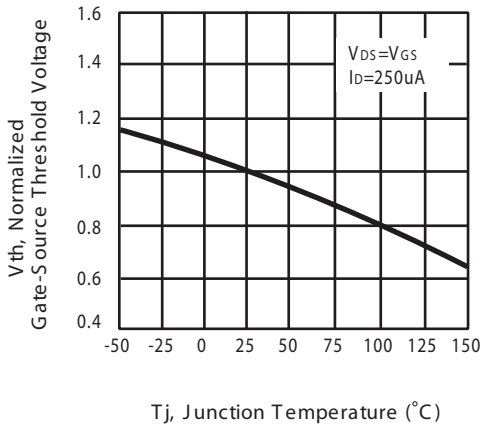


Figure 5. Gate Threshold Variation with Temperature

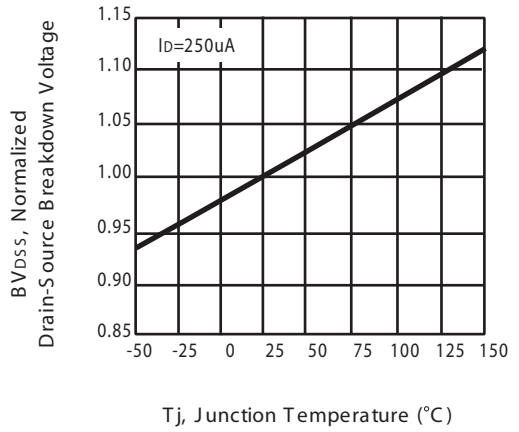


Figure 6. Breakdown Voltage Variation with Temperature

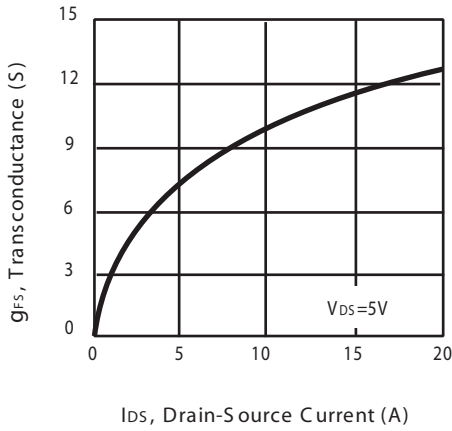


Figure 7. Transconductance Variation with Drain Current

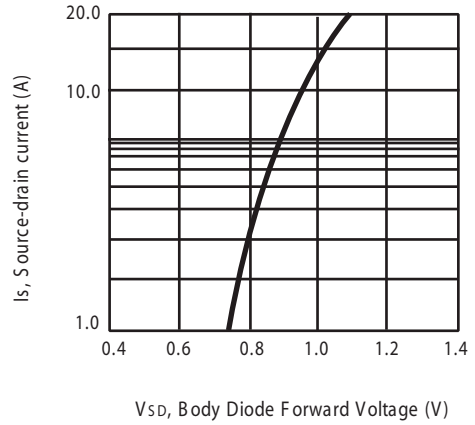


Figure 8. Body Diode Forward Voltage Variation with Source Current

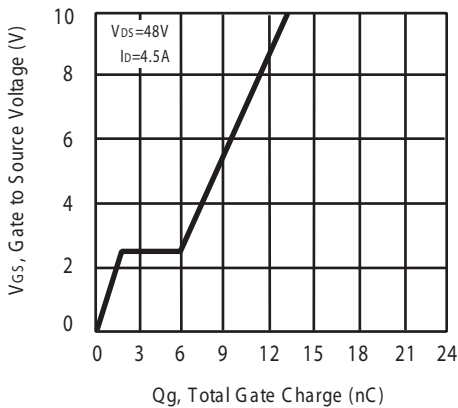


Figure 9. Gate Charge

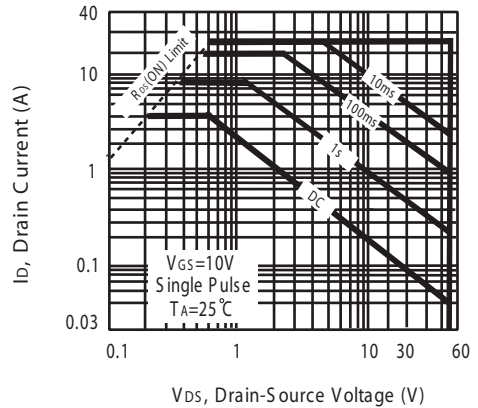


Figure 10. Maximum Safe Operating Area

STM6930A

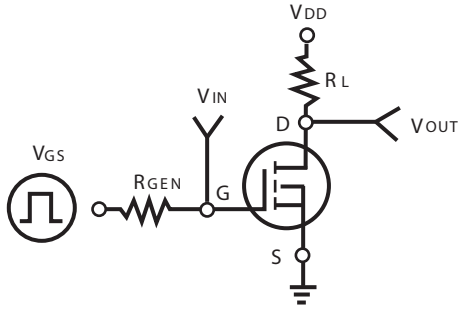


Figure 11. Switching Test Circuit

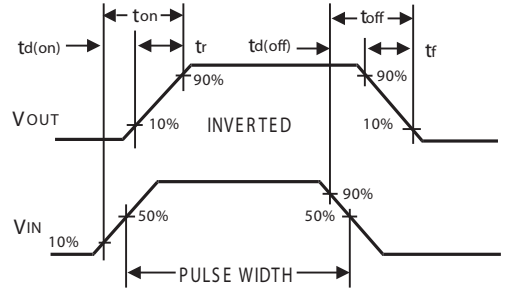
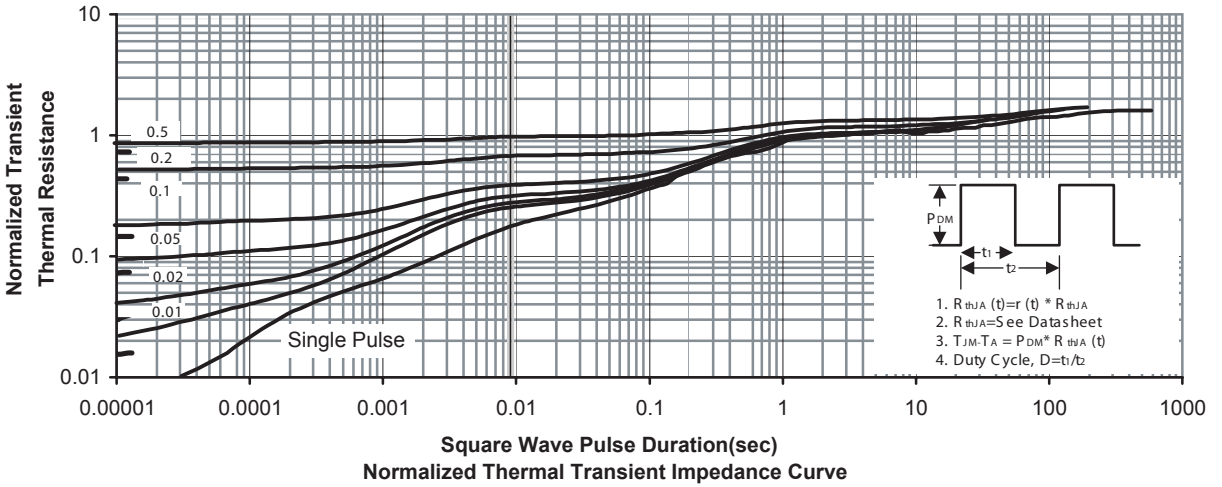


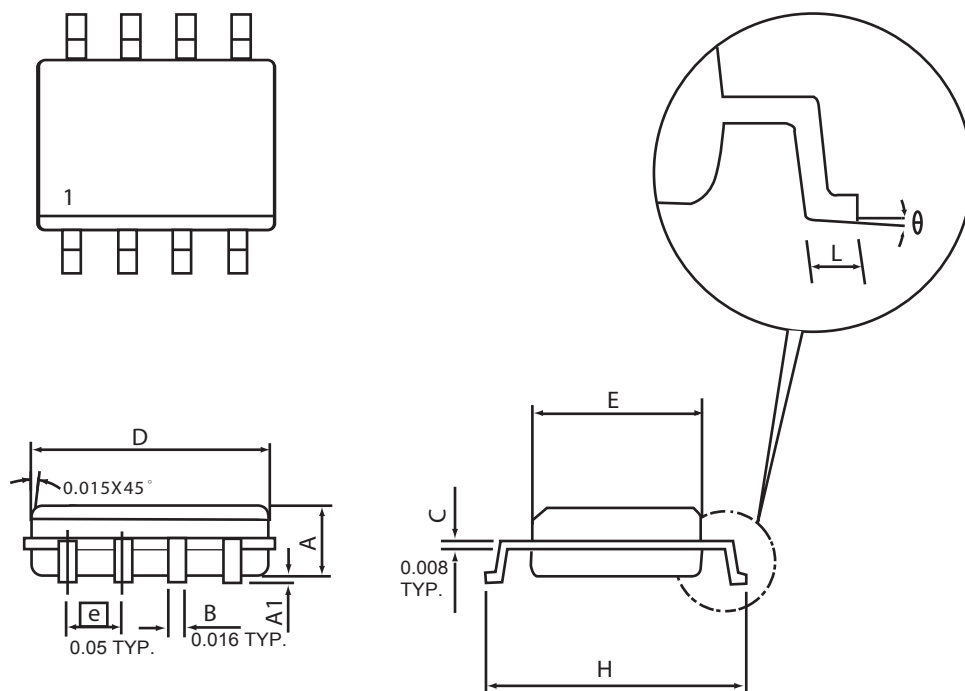
Figure 12. Switching Waveforms



STM6930A

PACKAGE OUTLINE DIMENSIONS

SO-8

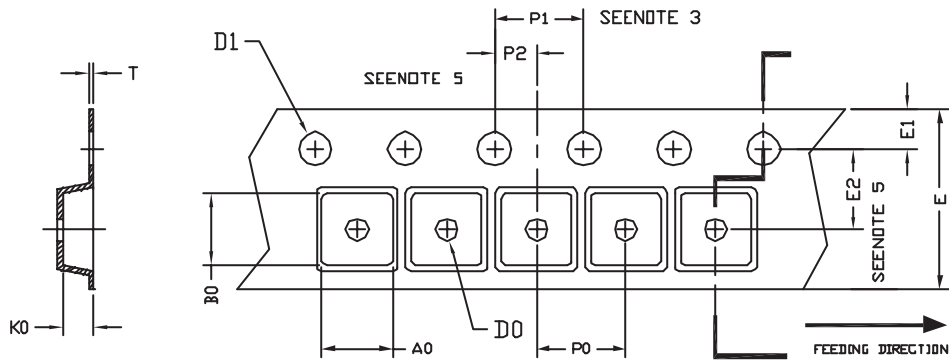


SYMBOLS	MILLIMETERS		INCHES	
	MIN	MAX	MIN	MAX
A	1.35	1.75	0.053	0.069
A1	0.10	0.25	0.004	0.010
D	4.80	4.98	0.189	0.196
E	3.81	3.99	0.150	0.157
H	5.79	6.20	0.228	0.244
L	0.41	1.27	0.016	0.050
θ	0°	8°	0°	8°

STM6930A

SO-8 Tape and Reel Data

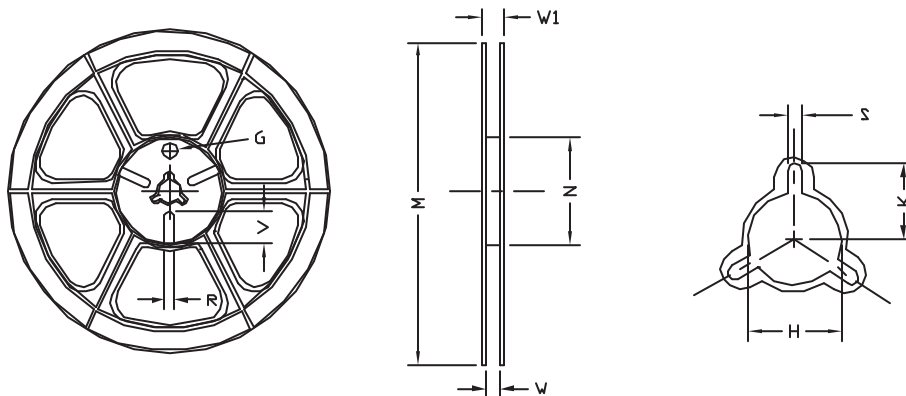
SO-8 Carrier Tape



unit:mm

PACKAGE	A0	B0	K0	D0	D1	E	E1	E2	P0	P1	P2	T
SOP 8N 150mil	6.40	5.20	2.10	ϕ 1.5 (MIN)	ϕ 1.5 + 0.1 - 0.0	12.0 \pm 0.3	1.75	5.5 \pm 0.05	8.0	4.0	2.0 \pm 0.05	0.3 \pm 0.05

SO-8 Reel



UNIT:mm

TAPE SIZE	REEL SIZE	M	N	W	W1	H	K	S	G	R	V
12 mm	ϕ 330	330 \pm 1	62 \pm 1.5	12.4 + 0.2	16.8 - 0.4	ϕ 12.75 + 0.15	---	2.0 \pm 0.15	---	---	---