

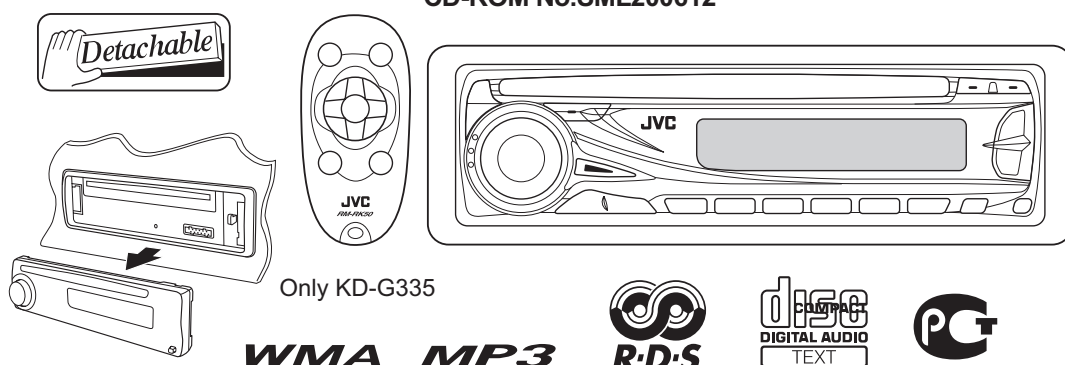
JVC

SCHEMATIC DIAGRAMS

CD RECEIVER

**KD-G331E, KD-G331EX, KD-G331EY
KD-G331EU, KD-G332E, KD-G332EX
KD-G332EY, KD-G332EU, KD-G333E
KD-G333EX, KD-G333EY, KD-G333EU
KD-G334UI, KD-G335U, KD-G335UN
KD-G335UT, KD-G335UH, KD-G337BEE
KD-G337SEE, KD-G338UF**

CD-ROM No.SML200612



Only KD-G335

(for KD-G331)
(for KD-G332)
(for KD-G333)
(for KD-G337)

Lead free solder used in the board (material : Sn-Ag-Cu, melting point : 219 Centigrade)

Contents

Block diagram	2-1
Standard schematic diagrams	2-3
Printed circuit boards	2-8

Safety precaution

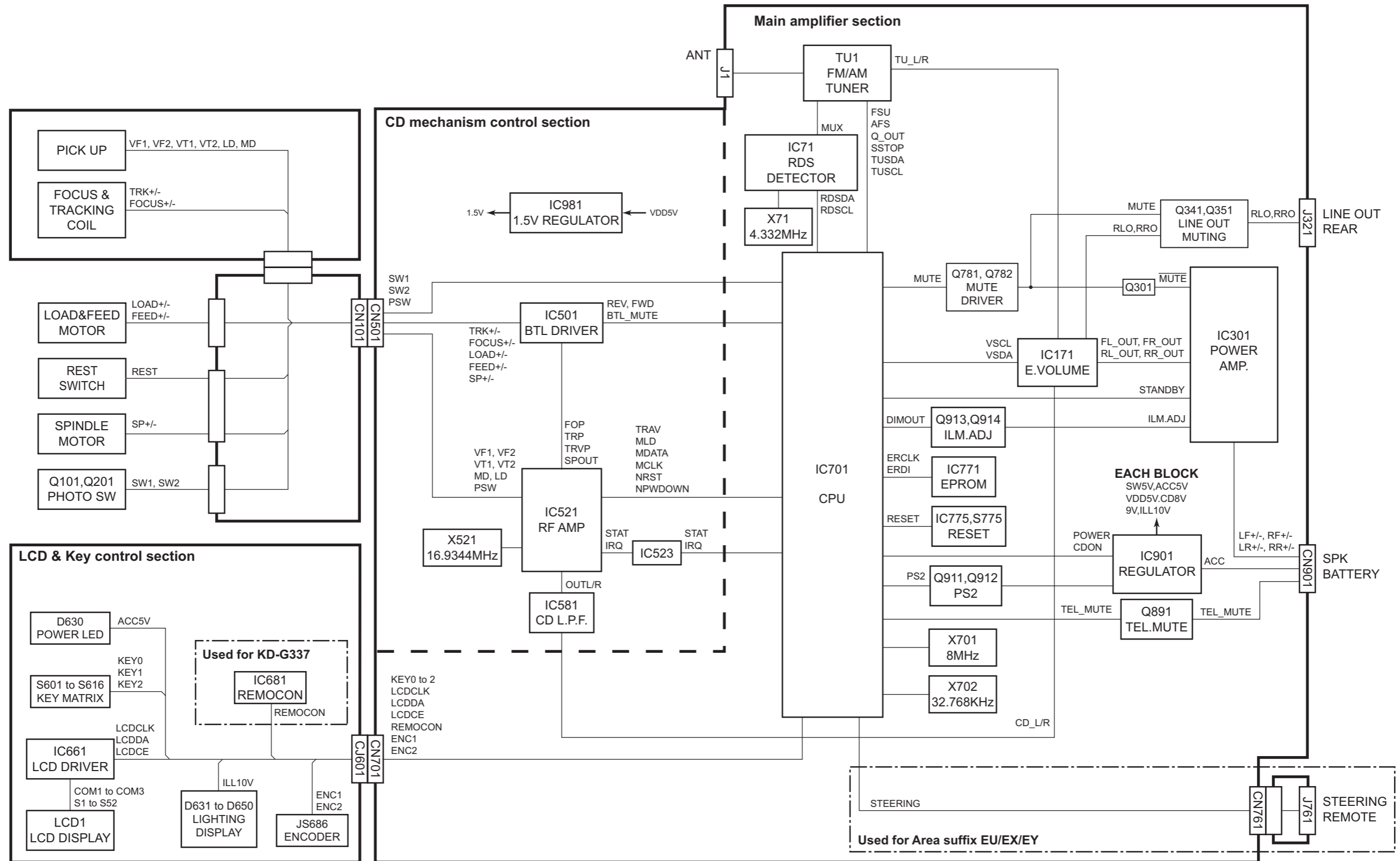


CAUTION Burrs formed during molding may be left over on some parts of the chassis. Therefore, pay attention to such burrs in the case of performing repair of this system.

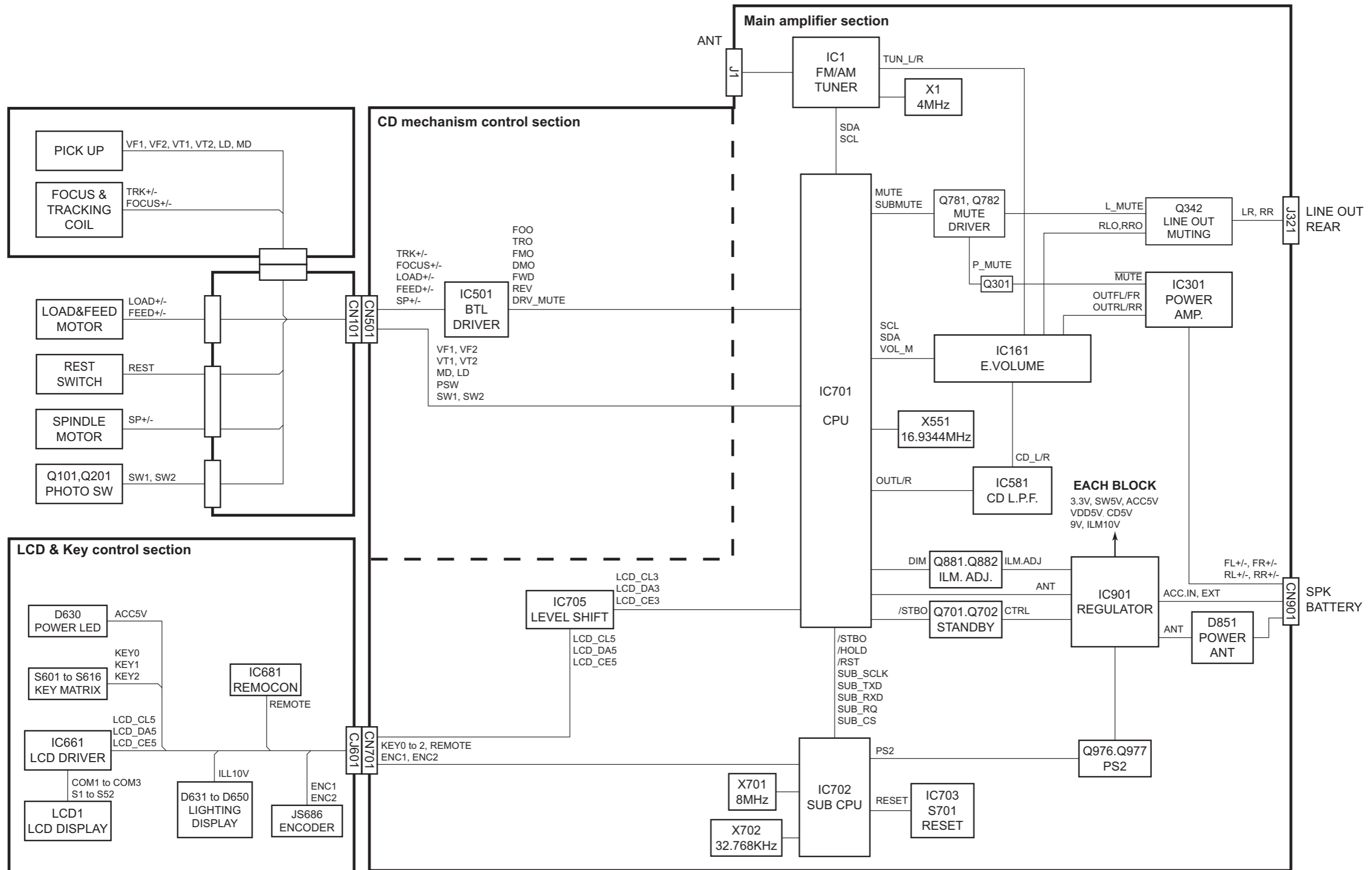


CAUTION Please use enough caution not to see the beam directly or touch it in case of an adjustment or operation check.

Block diagram (For KD-G331, KD-G332, KD-G333 and KD-G337)



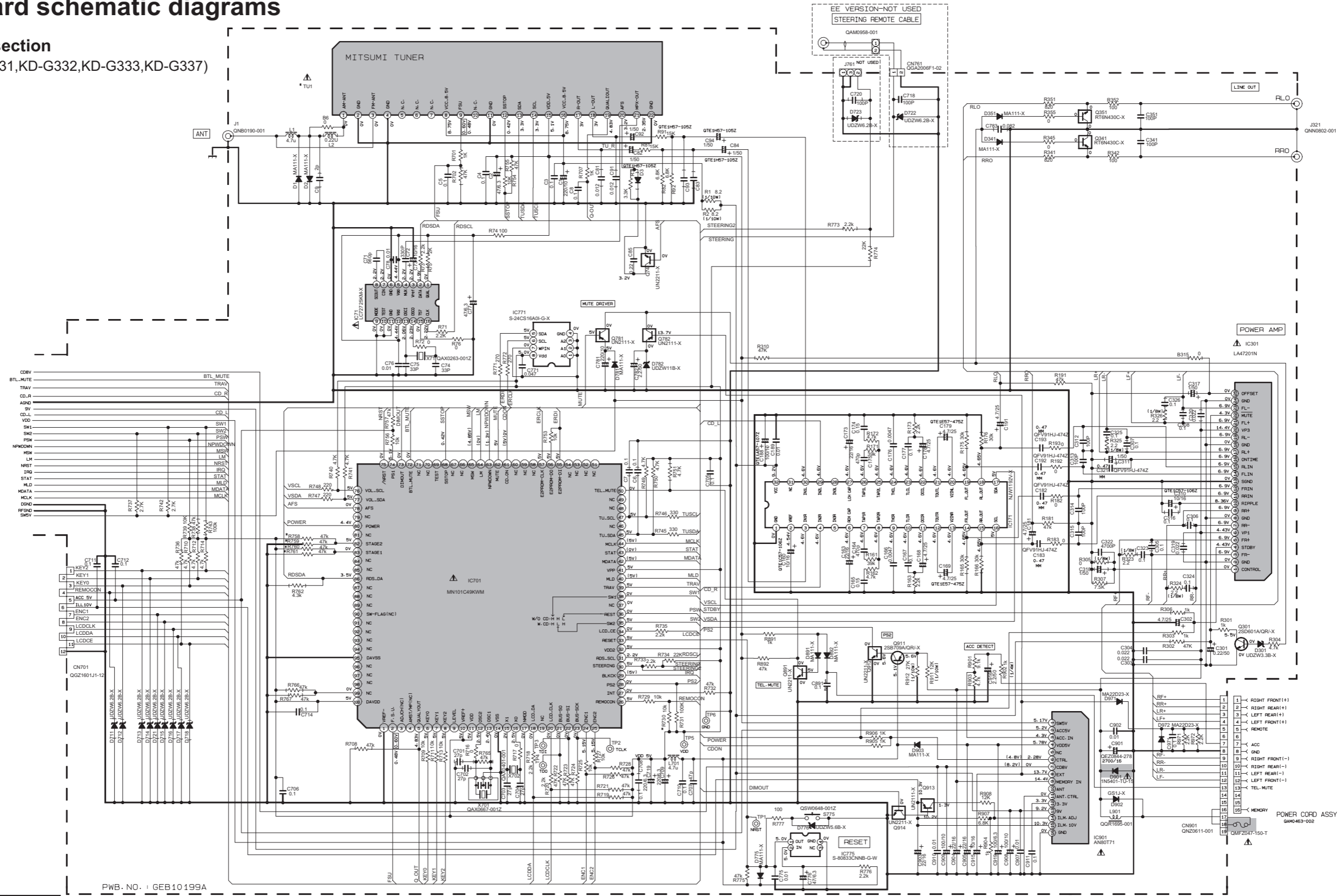
Block diagram (For KD-G334, KD-G335 and KD-G338)



Standard schematic diagrams

■ Main section

(for KD-G331, KD-G332, KD-G333, KD-G337)



PWB. NO. : GEB10199A

	10K	RT1N141C-X
	10K	RT1P141C-X
	4.7K	RT6N430C-X
	OPEN	

REMARKS:

REF. NAME	MODEL	KD-G331ED	KD-G332/3ED	KD-G337BEED	KD-G337SEED
R758	X	X	O	O	O
R759	O	O	X	X	X
R760	O	O	X	X	X
R761	X	X	O	O	O
TU1	GAU0484-001	GAU0484-001	GAU0845-001	GAU0845-001	
R730	O	O	X	X	X

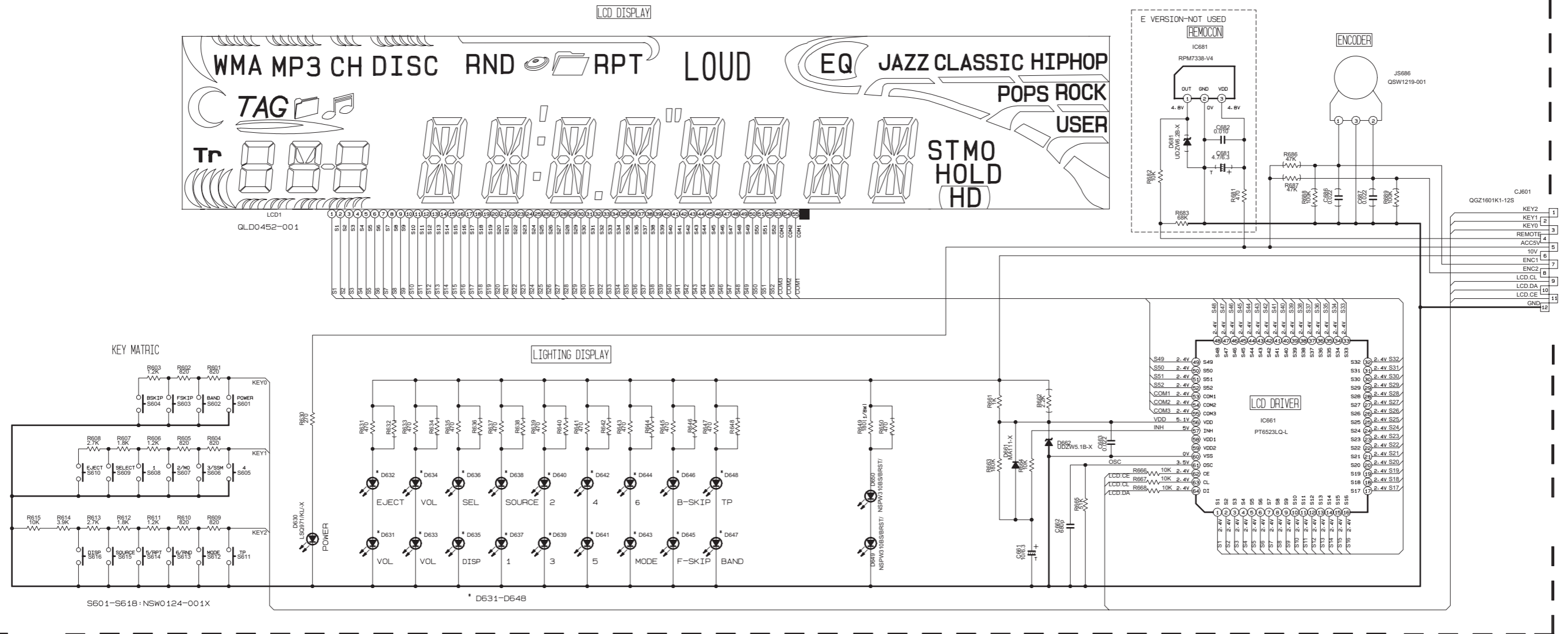
NOTES

- VOLTAGES ARE DC-MEASURED WITH A DIGITAL VOLT METER WITHOUT INPUT SIGNAL CONDITION---FM MODE. AM MODE. IC D CODE.
- UNLESS OTHERWISE SPECIFIED, ALL RESISTORS ARE 1/16W ± 5% METAL GLAZE RESISTOR. ALL CAPACITORS ARE 50V OR 25V CERAMIC CAPACITOR. ALL RESISTANCE VALUES ARE IN OHM. ALL CAPACITANCE VALUES ARE IN uF (pF) ALL E. CAPACITORS ARE SHOWN IN THE FORM OF CAPACITANCE(uF)/RATED VOLTAGE(V) TF --- T. F. CAPACITOR
- COMPONENTS IN () INDICATE NOT USE.

Parts are safety assurance parts. When replacing those parts make sure to use the specified one.

■ LCD and Key control section
 (for KD-G331,KD-G332,KD-G333,KD-G337)

SW PWB : GEB10209A

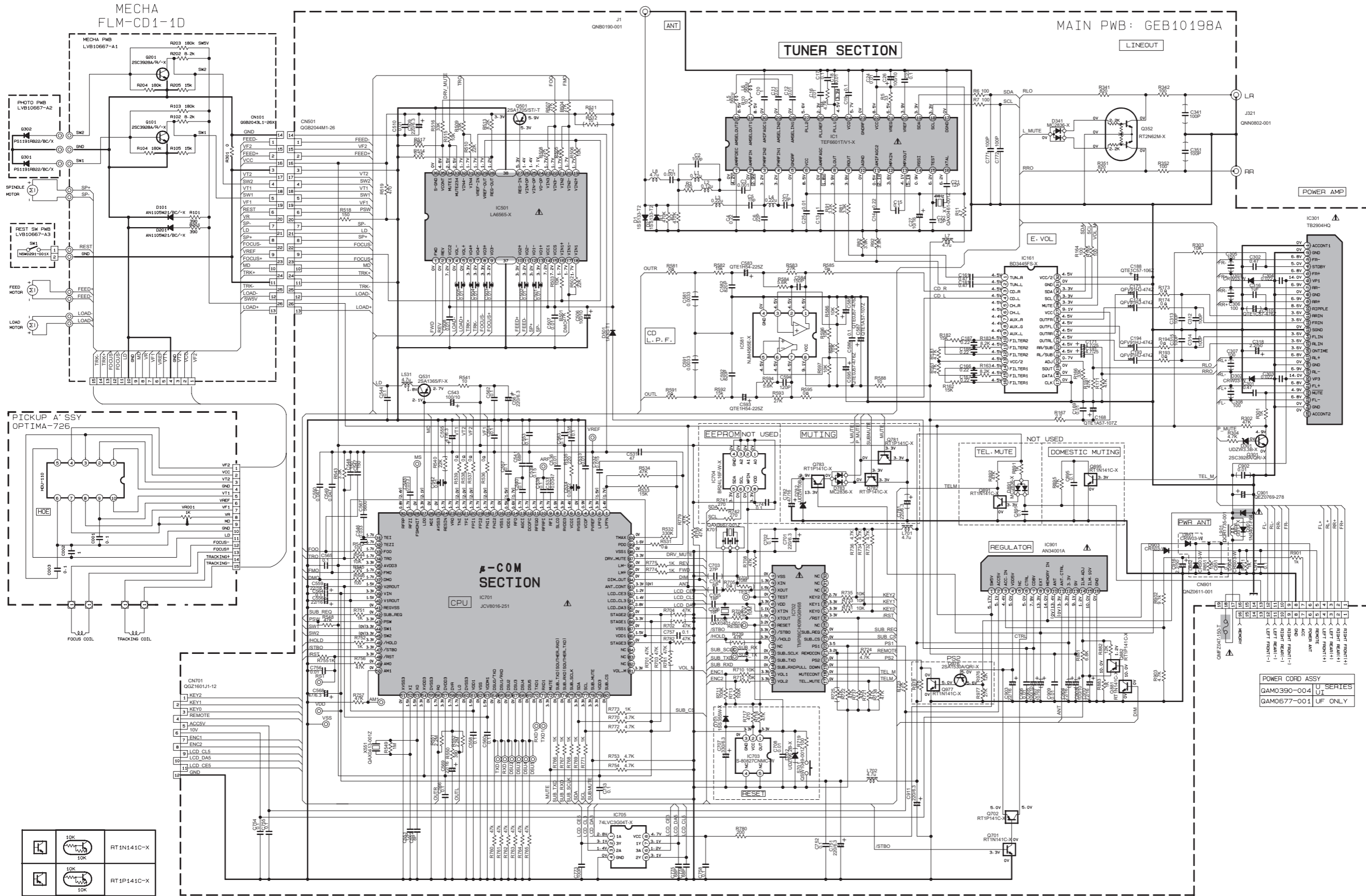


*REMARKS:

MODEL	KD-G331ED	KD-G332/3ED	KD-G337BEED	KD-G337SEED
REF. NAME				
D631-D648	LNJ308G81/1-3/XLED	LSQ971/KL/-X	LSQ971/KL/-X	LNJ308G81/1-3/XLED

- NOTES
- VOLTAGES ARE DC-MEASURED WITH A DIGITAL VOLT METER WITHOUT INPUT SIGNAL.
 - UNLESS OTHERWISE SPECIFIED.
 ALL RESISTORS ARE 1/16W 15% METAL GLAZE RESISTOR.
 ALL CAPACITORS ARE 50V OR 25V CERAMIC CAPACITOR.
 ALL RESISTANCE VALUES ARE IN OHM.
 ALL CAPACITANCE VALUES ARE IN uF(P=pF)
 ALL E. CAPACITORS ARE SHOWN IN THE FORM OF CAPACITANCE(uF)/RATED VOLTAGE(V)
 T --- TANTALUM CAPACITOR.
 - COMPONENTS IN () INDICATE NOT USE.

■ Main section (for KD-G334, KD-G335, KD-G338)

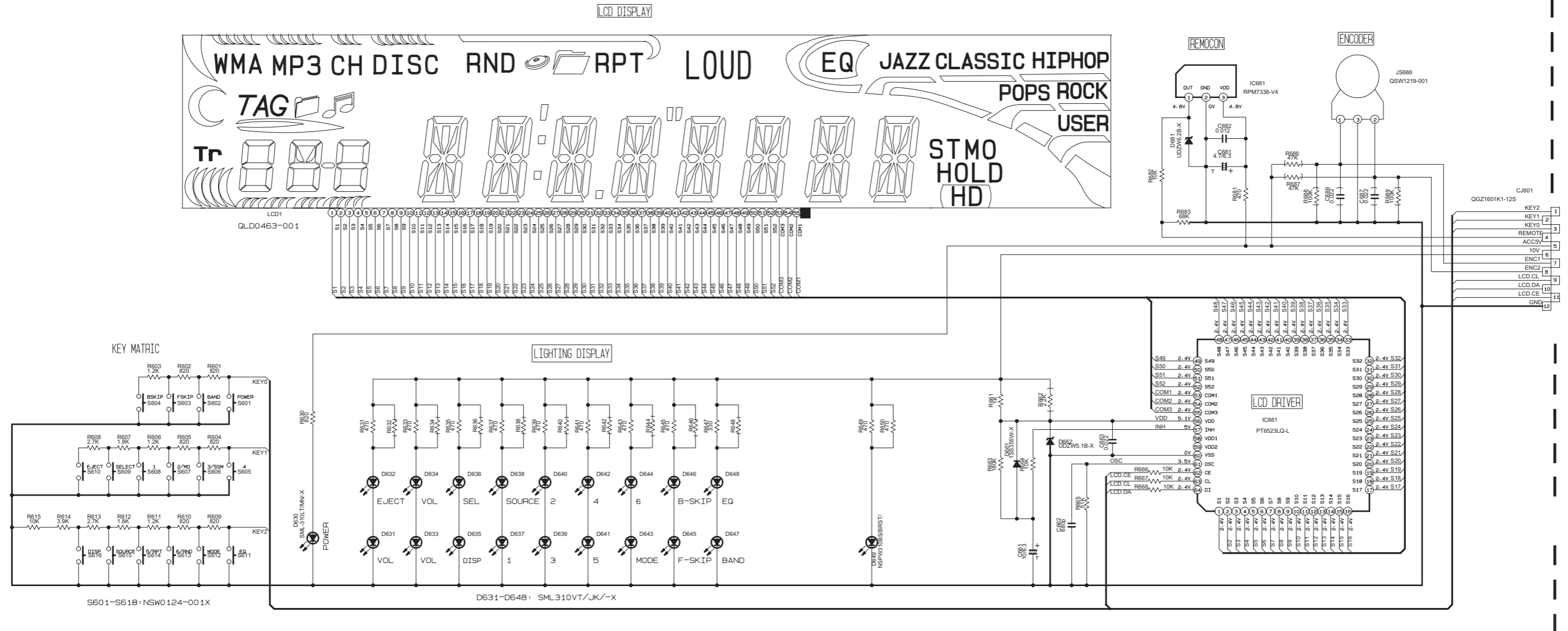


NOTES:
 1. VOLTAGE IS DC-MEASURED WITH A DIGITAL VOLTMETER WITHOUT INPUT SIGNAL CONDITION. ---PHI---AM MODE. () CD MODE!
 2. UNLESS OTHERWISE SPECIFIED, ALL RESISTOR ARE 1/16W ±5% METAL GLAZE RESISTOR. ALL CAPACITOR ARE 50V OR 25V CERAMIC CAPACITOR. ALL RESISTANCE VALUES ARE IN OHM. ALL CAPACITANCE VALUES ARE IN UF (µF). ALL INDUCTANCE VALUES ARE IN UH. ALL E. CAPACITORS ARE SHOWN IN THE FORM OF CAPACITANCE(UF)/RATED VOLTAGE(V)

⚠ Parts are safety assurance parts. When replacing those parts make sure to use the specified one.

■ LCD and Key control section (for KD-G334,KD-G335,KD-G338)

SW PWB : GEB10209A



- NOTES
1. VOLTAGES ARE DC-MEASURED WITH A DIGITAL VOLT METER WITHOUT INPUT SIGNAL.
 2. UNLESS OTHERWISE SPECIFIED.
ALL RESISTORS ARE 1/16W ±5% METAL GLAZE RESISTOR.
ALL CAPACITORS ARE 50V OR 25V CERAMIC CAPACITOR.
ALL RESISTANCE VALUES ARE IN OHM.
ALL CAPACITANCE VALUES ARE IN UF(P=PF)
ALL E-CAPACITORS ARE SHOWN IN THE FORM OF CAPACITANCE(UF)/RATED VOLTAGE(V)
T --- TANTAL CAPACITOR.
 3. COMPONENTS IN () INDICATE NOT USE.

< MEMO >

JVC

Victor Company of Japan, Limited

Mobile Entertainment Business Group Mobile Entertainment Category 10-1, 1chome, Ohwatari-machi, Maebashi-city, Gumma-ken, 371-8543, Japan

(No.MA287SCH)



Printed in Japan
VPT