



HM9215 SERIES (HM9215/11/10/09/05)

PROGRAMMABLE MANCHESTERCODE ENCODER/DECODER

Features

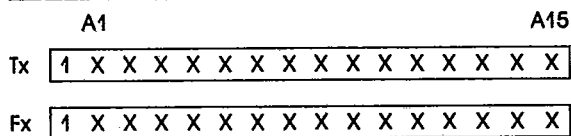
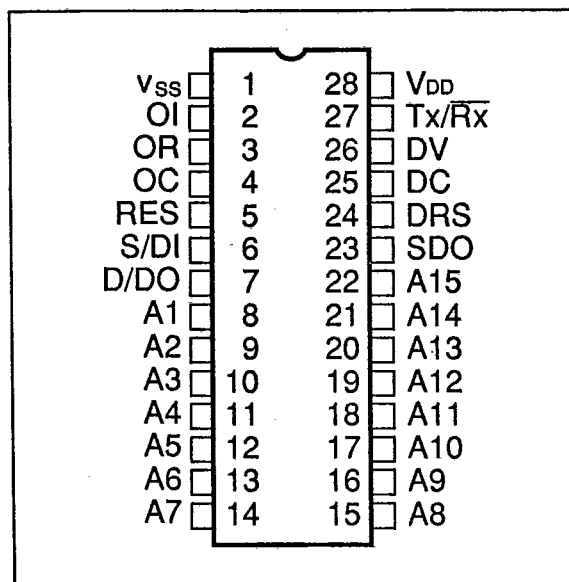
- Operating voltage range 3.0V-9.0V.
- Manchester code encoder/decoder on one chip.
- Stable operating frequency.
- On chip oscillator using inexpensive RC components. (R.C: ±10%)
- Automatic preamble generation.
- Schmitt trigger for data input.
- Low stand-by current.

Applications

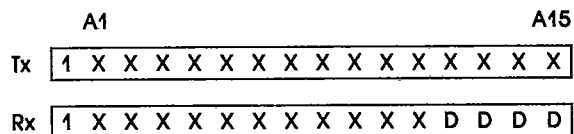
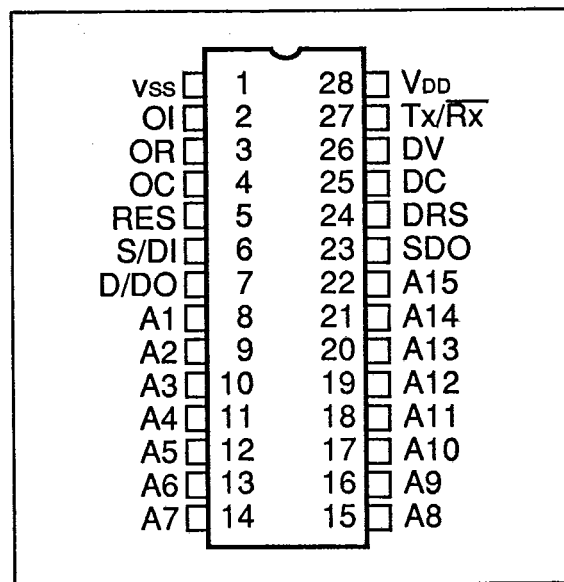
- Cordless telephone.
- Remote control.
- Car alarm control system.
- Security system.
- Digital locks.
- Paging system.

Pin Configuration and Code Patterns

HM9215



HM9211

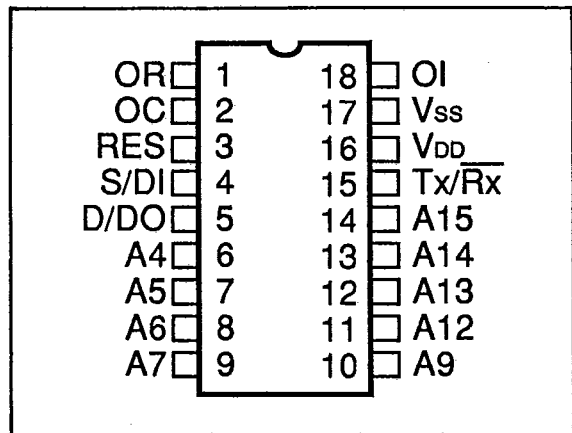




HM9215 SERIES (HM9215/11/10/09/05)

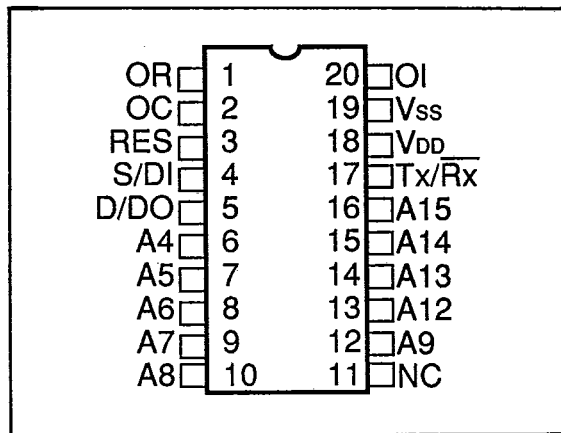
PROGRAMMABLE MANCHESTERCODE ENCODER/DECODER

HM9209



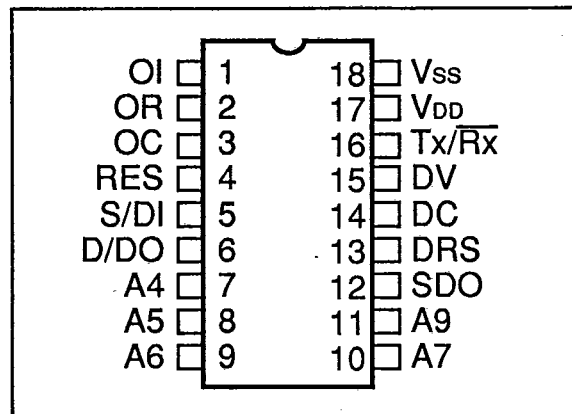
	A1	A15
Tx	1 0 0 0 X X X X 0 X 0 0 X X X X	
Rx	1 0 0 0 X X X X 0 X 0 0 X X X X	

HM9210



	A1	A15
Tx	1 0 0 0 X X X X X X 0 0 X X X X	
Rx	1 0 0 0 X X X X X X 0 0 X X X X	

HM9205



	A1	A15
Tx	1 0 0 0 X X X X 0 X 0 0 X X X X	
Rx	1 0 0 0 X X X X 0 X 0 0 D D D D	

Note: X = Programmable
 0 = Hardwired Internally Zero
 1 = Hardwired Internally One
 D = Don't Care in Receive Mode