

# AN3821K

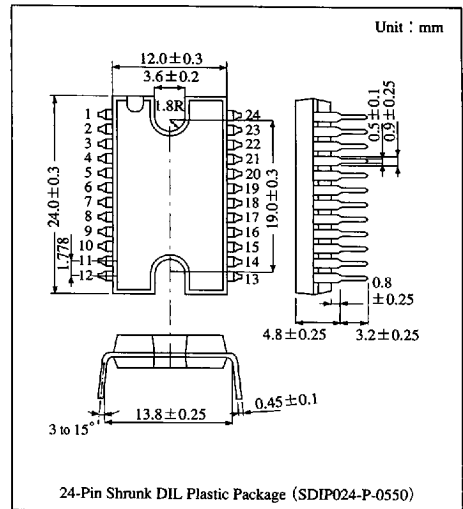
## Capstan Direct-Drive Motor Drive IC for VCR

### Overview

The AN3821K is an integrated circuit designed for a VCR capstan direct-drive motor drive.

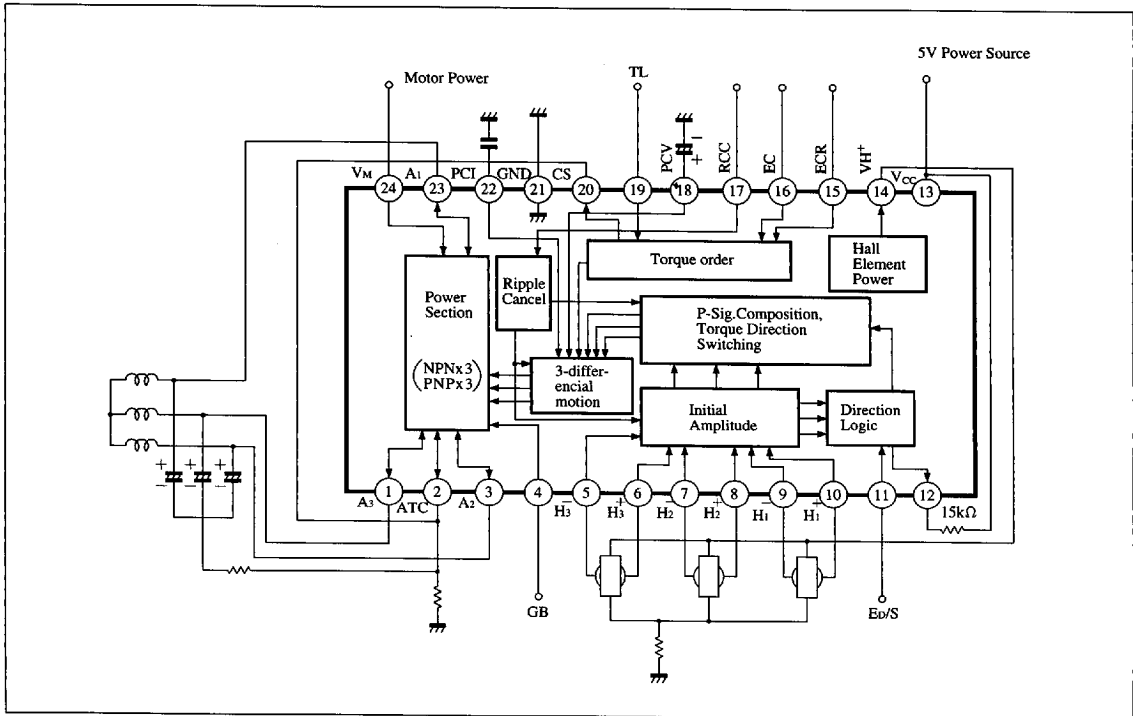
### Features

- Three-phase full-wave operation
- Built-in output transistors
- Built-in torque ripple canceller circuit
- Max. output current ( $I_{o\ max}$ ) : 1.5A
- Max. motor voltage ( $V_M$ ) : 24V
- Supply voltage : 5V



ICs for VCR

### Block Diagram



6932852 0014552 3T6

**Panasonic**