

AN3815K

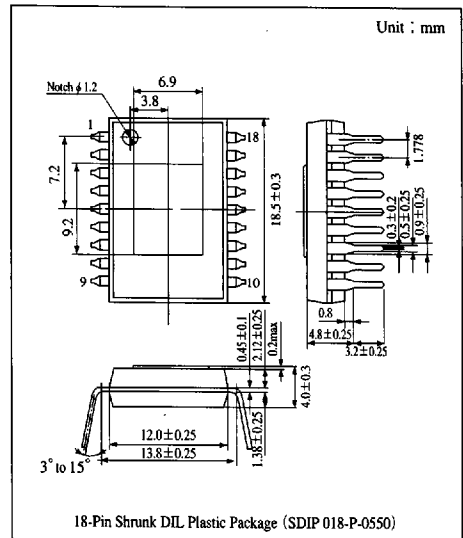
Cylinder Motor Driver IC for VCR

Overview

The AN3815K is an IC developed to drive VCR cylinder motor. It provides sensorless drive which requires no position-detecting Hall elements.

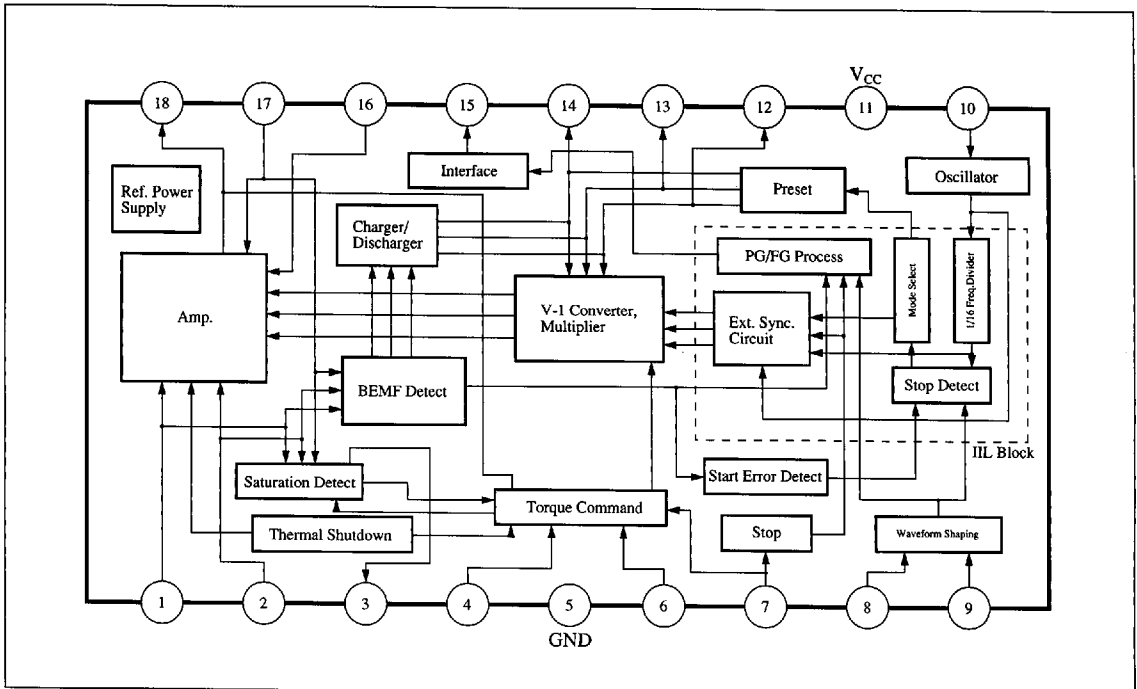
Features

- Position detecting Hall elements unrequired.
- 3-phase half-wave overlap drive.
- PG/FG composite three-valued output.
- Built-in thermal protection circuit.
- Max. output current 1.5A.
- Provided with switching power control output.



ICs for VCR

Block Diagram



6932852 0014550 523

Panasonic