



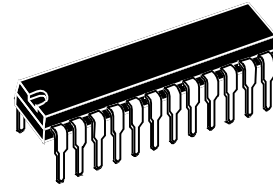
BUS-CONTROLLED AUDIO MATRIX

- 6 Stereo Inputs
- 3 Stereo Outputs
- Gain Control 0 dB/Mute for each Output
- Cascadable (2 different addresses)
- Serial Bus Controlled
- Very Low Noise
- Very Low Distorsion
- Fully ESD Protected
- Wide Audio Dynamic Range ($3 V_{RMS}$)

DESCRIPTION

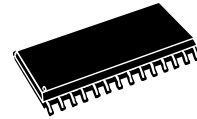
The TEA6422 switches 6 stereo audio inputs on 3 stereo outputs.

All the switching possibilities are changed through the I²C BUS.



SHRINK DIP24
(Shrink Plastic Package)

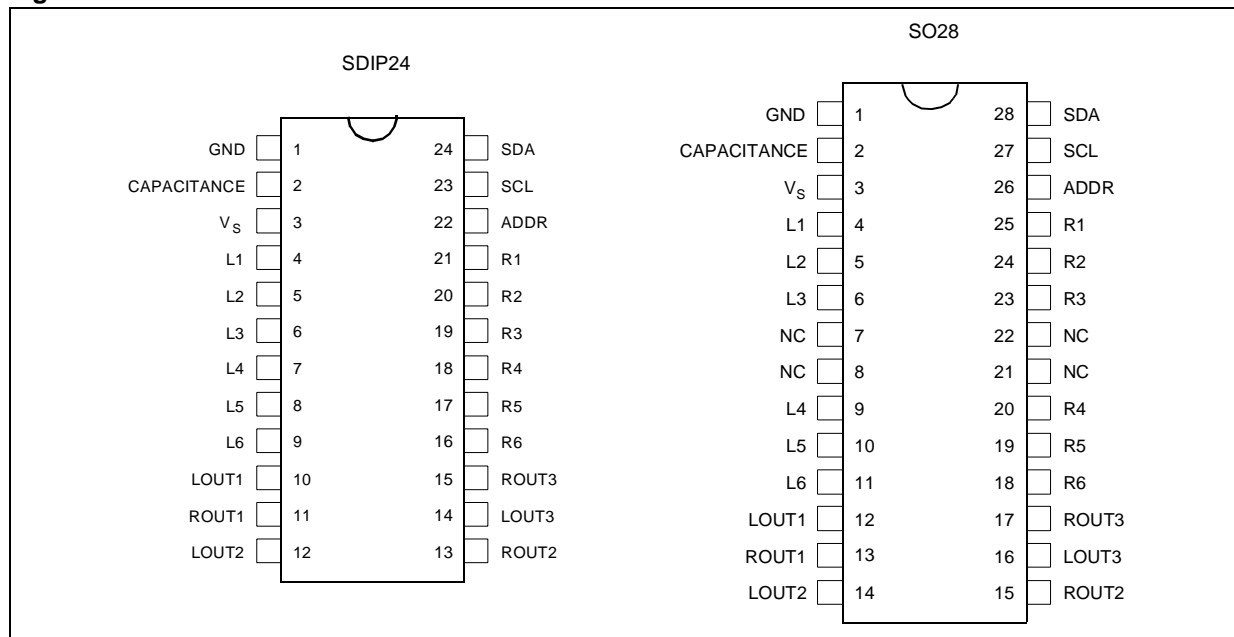
ORDER CODE: TEA6422



SO28
(Plastic Monopackage)

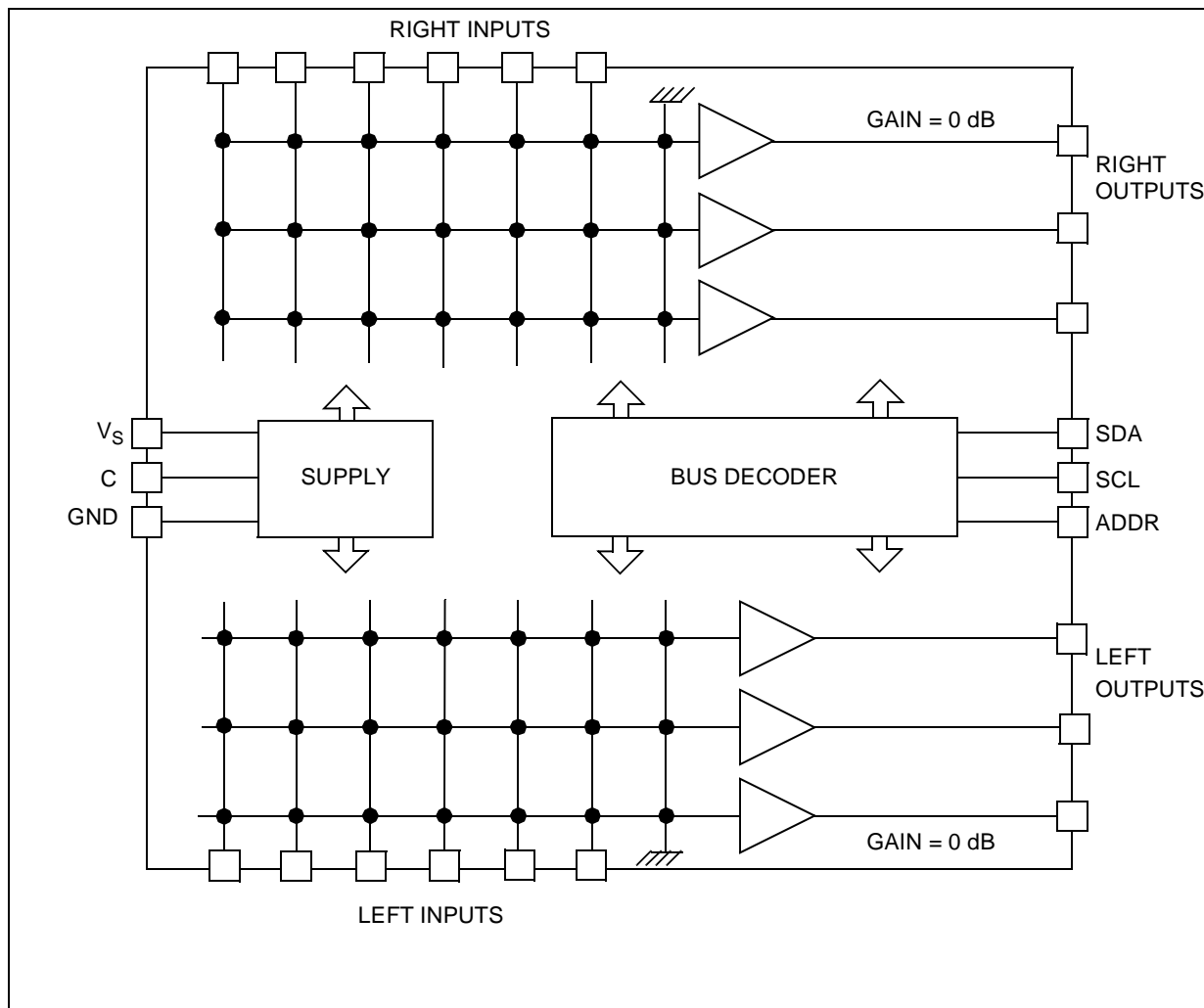
ORDER CODE: TEA6422D

Figure 1. PIN CONNECTIONS



TEA6422

BLOCK DIAGRAM



ABSOLUTE MAXIMUM RATINGS

Symbol	Parameter	Value	Unit
V _{CC}	Supply Voltage	12	V
T _{oper}	Operating Temperature	0, + 70	°C
T _{stg}	Storage Temperature	- 20, + 150	°C

THERMAL DATA

Symbol	Parameter	Value	Unit	
R _{th(j-a)}	Junction - ambient Thermal Resistance	SDIP24	75	°C/W
		SO28	75	°C/W

ELECTRICAL CHARACTERISTICS

$T_A = 25\text{ }^\circ\text{C}$, $V_S = 9\text{ V}$, $R_L = 10\text{ k}\Omega$, $R_G = 600\text{ }\Omega$, $f = 1\text{ kHz}$ (unless otherwise specified)

Symbol	Parameter	Test Conditions	Min.	Typ.	Max.	Unit
--------	-----------	-----------------	------	------	------	------

SUPPLY

V_S	Supply Voltage		8	10	11	V
I_S	Supply Current			3	8	mA
SVR	Ripple Rejection	$V_{IN} = 500\text{mV}_{RMS}$, $f = 1\text{kHz}$	70	80		dB

MATRIX

V_{IN}	Input DC Level			$V_{CC}/2$		V
R_I	Input Resistance		30	50	100	$\text{k}\Omega$
C_S	Channel Separation	$V_{IN} = 2V_{RMS}$, $f = 1\text{kHz}$	80	90		dB

OUTPUT BUFFER

V_{OUT}	Output DC Level			$V_{CC}/2$		V
R_{OUT}	Output Resistance			50	100	Ω
e_{NI}	Input Noise	BW = 20 - 20kHz, flat		3		μV
S/N	Signal to Noise Ratio	$V_{IN} = V_{OUT} = 1V_{RMS}$		110		dB
G	Gain		-1	0	+ 1	dB
d	Distortion	$V_{IN} = V_{OUT} = 1V_{RMS}$		0.01	0.05	%
V_{CL}	Clipping Level	$d = 0.3\%$, $V_S = 10\text{ V}$	2.8	3		V_{RMS}
R_L	Output Load Resistance		2			$\text{k}\Omega$

I²C BUS CHARACTERISTICS

Symbol	Parameter	Test Conditions	Min.	Max.	Unit
SCL					
V _{IL}	Low Level Input Voltage		- 0.3	+ 1.5	V
V _{IH}	High Level Input Voltage		3.0	V _{CC} + 0.5	V
I _{LI}	Input Leakage Current	V _I = 0 to V _{CC}	- 10	+ 10	μA
f _{SCL}	Clock Frequency		0	100	kHz
t _R	Input Rise Time	1.5V to 3V		1000	ns
t _F	Input Fall Time	3V to 1.5V		300	ns
C _I	Input Capacitance			10	pF

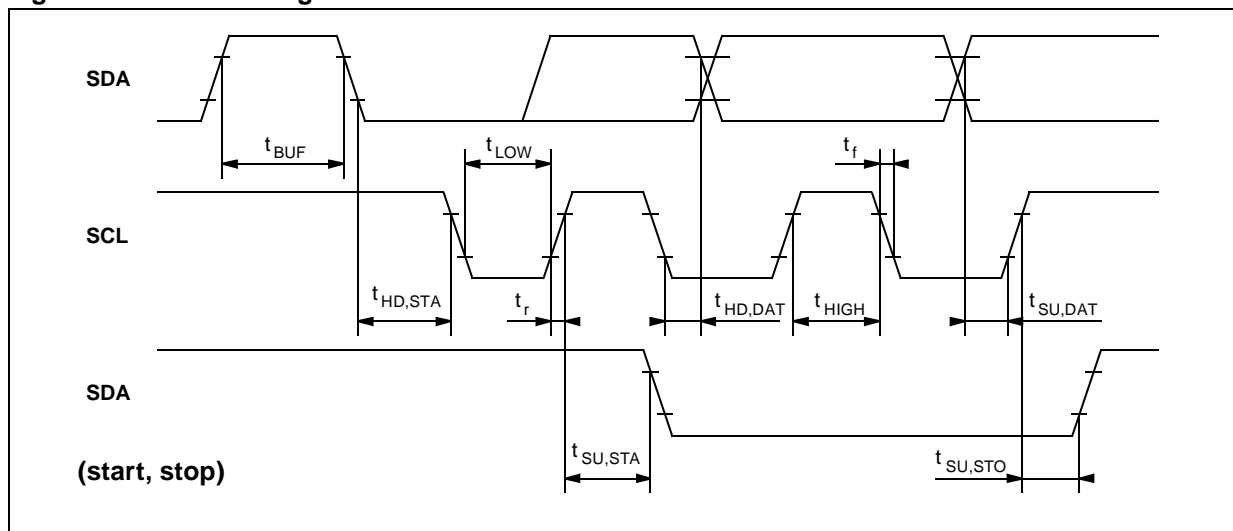
SDA

V _{IL}	Low Level Input Voltage		- 0.3	+ 1.5	V
V _{IH}	High Level Input Voltage		3.0	V _{CC} + 0.5	V
I _{LI}	Input Leakage Current	V _I = 0 to V _{CC}	- 10	+ 10	μA
C _I	Input Capacitance			10	pF
t _R	Input Rise Time	1.5V to 3V		1000	ns
t _F	Input Fall Time	3V to 1.5V		300	ns
V _{OL}	Low Level Output Voltage	I _{OL} = 3mA		0.4	V
t _F	Output Fall Time	3V to 1.5V		250	ns
C _L	Load Capacitance			400	pF

TIMING

t _{LOW}	Clock Low Period		4.7		μs
t _{HIGH}	Clock High Period		4.0		μs
t _{SU, DAT}	Data Set-up Time		250		ns
t _{HD, DAT}	Data Hold Time		0	340	ns
t _{SU, STO}	Set-up Time from Clock High to Stop		4.0		μs
t _{BUF}	Start Set-up Time following a Stop		4.7		μs
t _{HD, STA}	Start Hold Time		4.0		μs
t _{SU, STA}	Start Set-up Time following Clock Low-to High Transition		4.7		μs

Figure 2. I²C Bus Timing



POWER ON RESET

After power-on reset all outputs are in mute mode

Symbol	Parameter	Conditions	Min.	Typ.	Max.	Unit
Reset	Start of Reset	Incr. V _{CC}			2.5	V
		Decr. V _{CC}			4.2	V
	End of Reset	Incr. V _{CC}	4.5			V

SOFTWARE SPECIFICATION**1. Chip address**

Address	HEX	ADDR
1001 1000	98	0
1001 1010	9A	1

2. Data bytes

Output select

X	0	0	X	X	I ₂	I ₁	I ₀	Output 1 Output 2 Output 3
	0	1						
	1	0						

Input select

X	Q ₁	Q ₀	X	X	0	0	0	Input 1 Input 2 Input 3 Input 4 Input 5 Input 6 Mute
					0	0	0	
					0	0	1	
					0	1	0	
					0	1	1	
					1	0	0	
					1	0	1	
					1	1	0	

X = don't care - MSB is transmitted first

Example : 010XX100 connects output 3 with input 5.

Figure 3. Distorsion Level versus Input Voltage

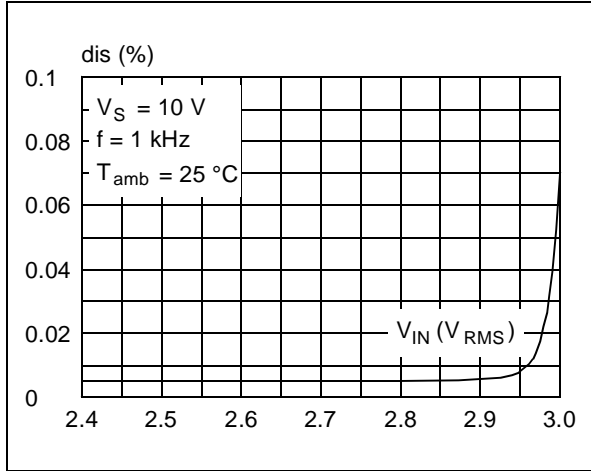


Figure 5. Clipping Level versus Supply Voltage

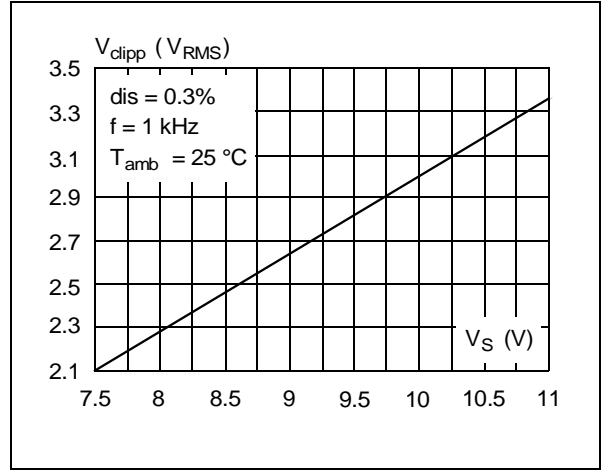
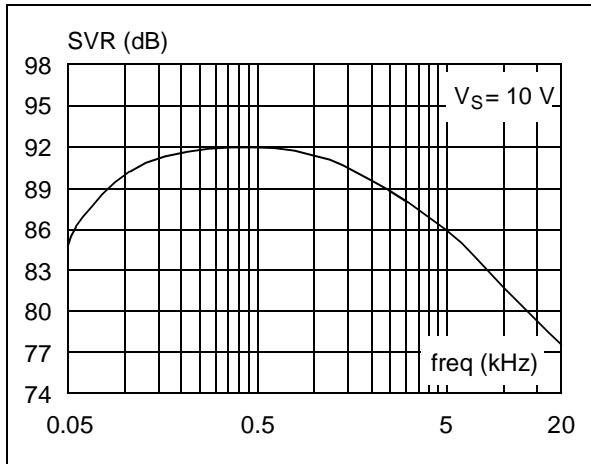


Figure 4. Supply Voltage Rejection versus Frequency ($V_{IN} = 500\text{ mV}_{RMS}$)



PIN CONFIGURATIONS (SDIP24 Package)

Figure 6. Audio IN

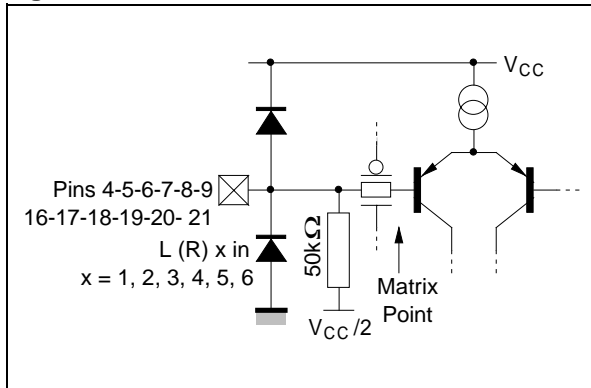


Figure 8. Audio OUT

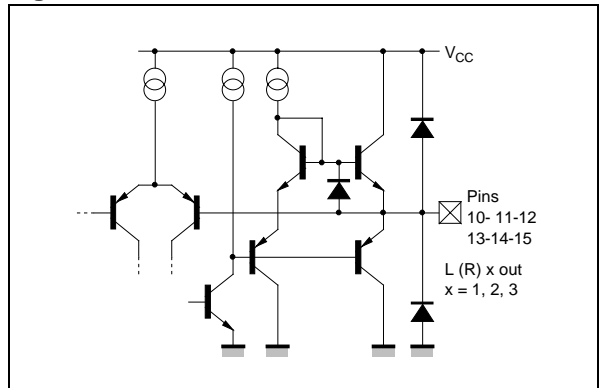


Figure 7. ADDR

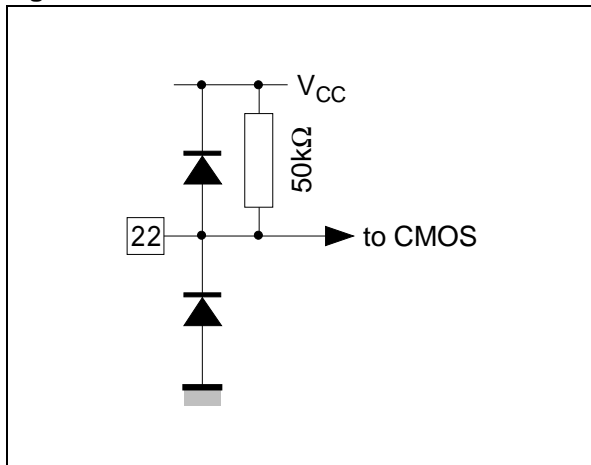


Figure 9. Bus Inputs (SDA, SCL)

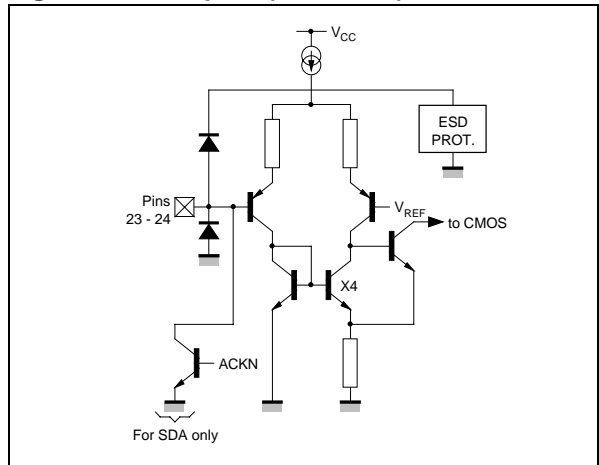
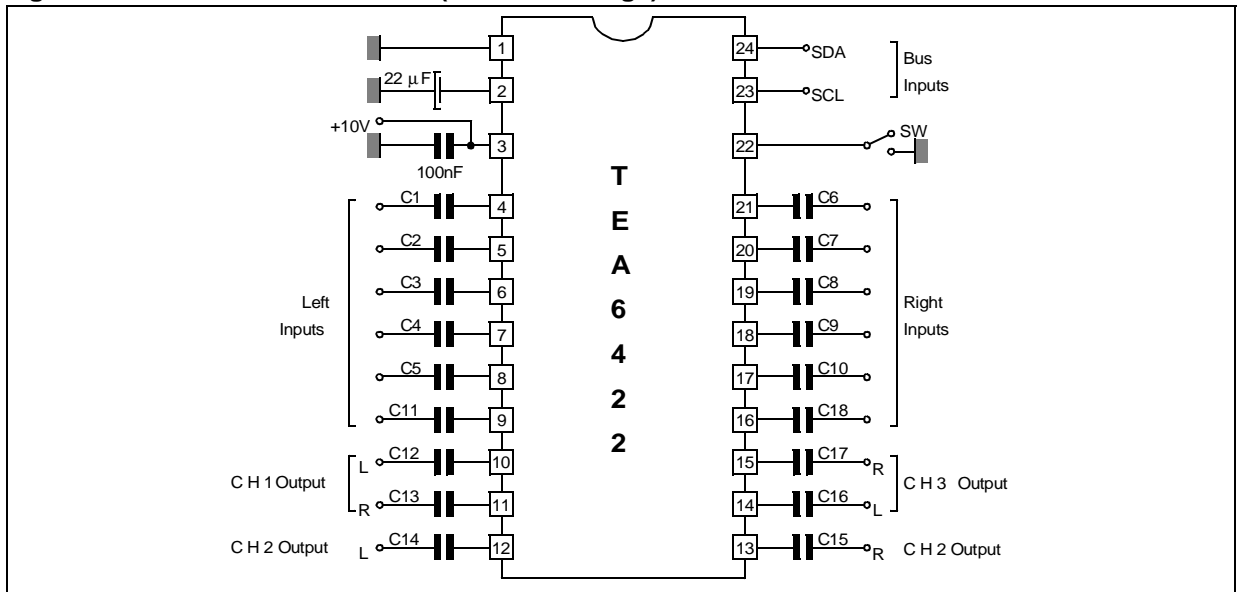


Figure 10. TYPICAL APPLICATION (SDIP24 Package)

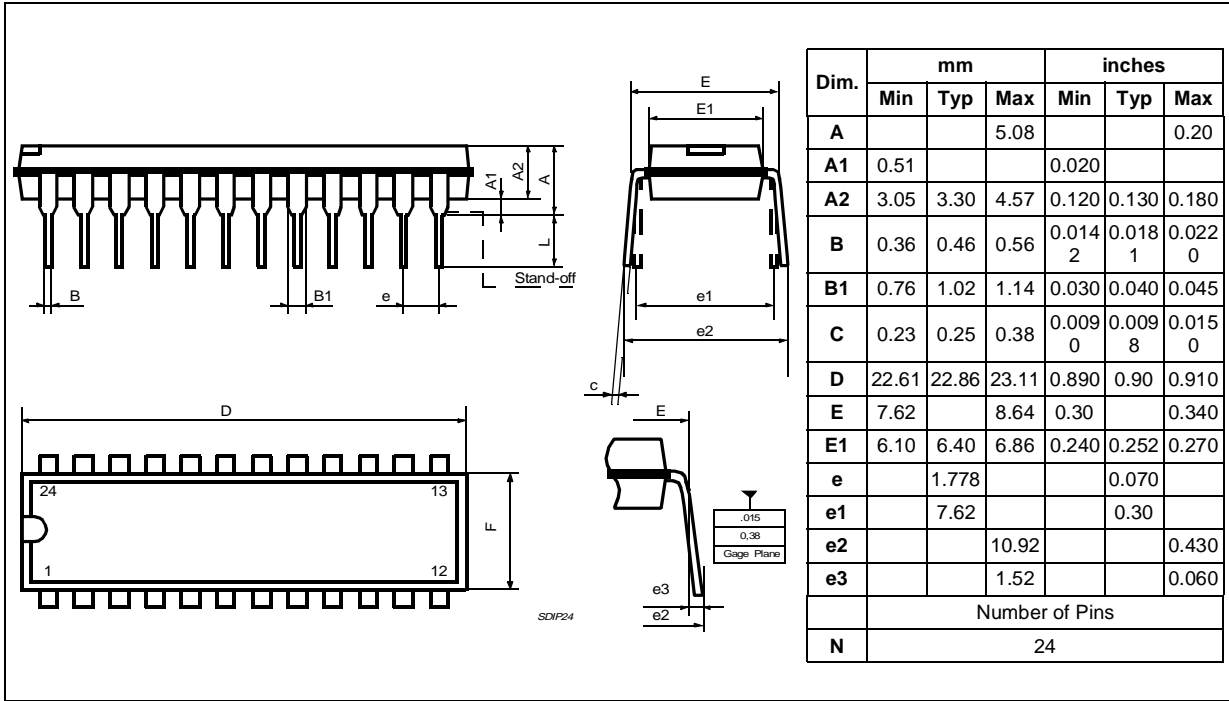


TEA6422

PACKAGE MECHANICAL DATA

24 PINS - PLASTIC SHRINK

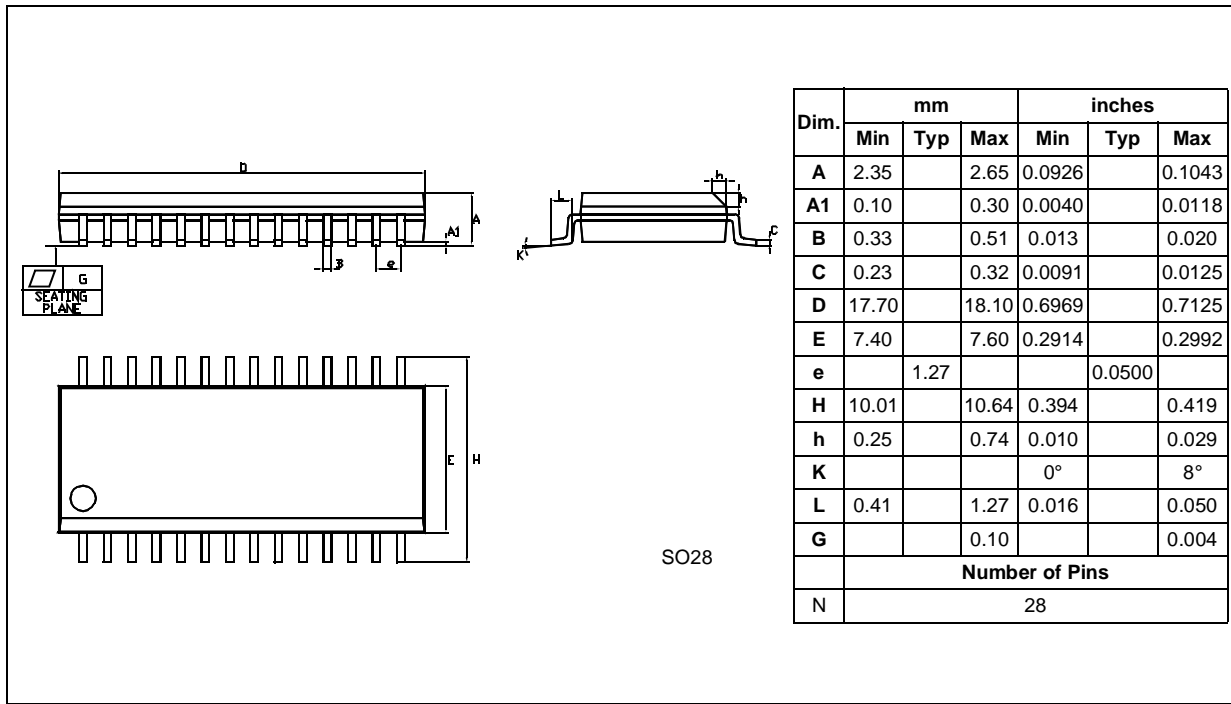
Figure 11. 24-Pin Shrink Plastic Dual In Line Package



PACKAGE MECHANICAL DATA

28 PINS - PLASTIC MICROPACKAGE

Figure 12. 28-Pin Plastic Small Outline Package, 300-mil Width



Information furnished is believed to be accurate and reliable. However, STMicroelectronics assumes no responsibility for the consequences of use of such information nor for any infringement of patents or other rights of third parties which may result from its use. No license is granted by implication or otherwise under any patent or patent rights of STMicroelectronics. Specifications mentioned in this publication are subject to change without notice. This publication supersedes and replaces all information previously supplied. STMicroelectronics products are not authorized for use as critical components in life support devices or systems without the express written approval of STMicroelectronics.

The ST logo is a registered trademark of STMicroelectronics

©2003 STMicroelectronics - All Rights Reserved.

Purchase of I²C Components by STMicroelectronics conveys a license under the Philips I²C Patent. Rights to use these components in an I²C system is granted provided that the system conforms to the I²C Standard Specification as defined by Philips.

STMicroelectronics Group of Companies

Australia - Brazil - China - Finland - France - Germany - Hong Kong - India - Italy - Japan - Malaysia - Malta - Morocco - Singapore - Spain
Sweden - Switzerland - United Kingdom - U.S.A.

<http://www.st.com>

This datasheet has been download from:

www.datasheetcatalog.com

Datasheets for electronics components.