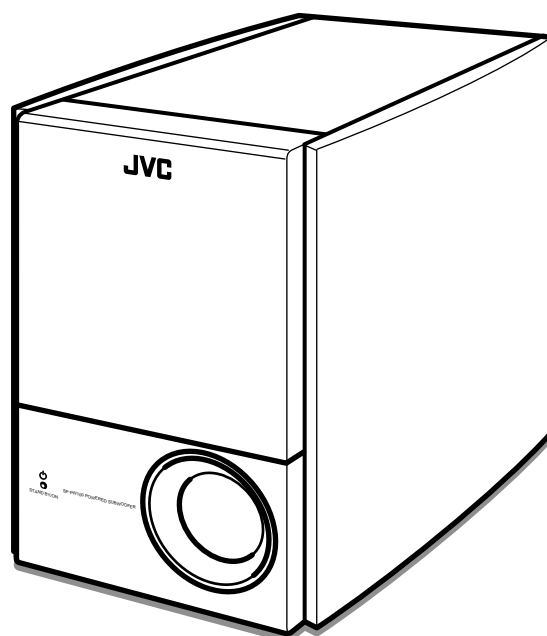


# JVC

# SERVICE MANUAL

POWERED SUBWOOFER

## SP-PW100




Area suffix

UP ----- Korea

### Contents

Safety precautions .....	1- 2
Disassembly method .....	1- 3
Description of major ICs .....	1- 7~8

## Safety Precautions

1. This design of this product contains special hardware and many circuits and components specially for safety purposes. For continued protection, no changes should be made to the original design unless authorized in writing by the manufacturer. Replacement parts must be identical to those used in the original circuits. Services should be performed by qualified personnel only.
2. Alterations of the design or circuitry of the product should not be made. Any design alterations of the product should not be made. Any design alterations or additions will void the manufacturer's warranty and will further relieve the manufacture of responsibility for personal injury or property damage resulting therefrom.
3. Many electrical and mechanical parts in the products have special safety-related characteristics. These characteristics are often not evident from visual inspection nor can the protection afforded by them necessarily be obtained by using replacement components rated for higher voltage, wattage, etc. Replacement parts which have these special safety characteristics are identified in the Parts List of Service Manual. Electrical components having such features are identified by shading on the schematics and by (  ) on the Parts List in the Service Manual. The use of a substitute replacement which does not have the same safety characteristics as the recommended replacement parts shown in the Parts List of Service Manual may create shock, fire, or other hazards.
4. The leads in the products are routed and dressed with ties, clamps, tubings, barriers and the like to be separated from live parts, high temperature parts, moving parts and/or sharp edges for the prevention of electric shock and fire hazard. When service is required, the original lead routing and dress should be observed, and it should be confirmed that they have been returned to normal, after re-assembling.

### 5. Leakage current check (Electrical shock hazard testing)

After re-assembling the product, always perform an isolation check on the exposed metal parts of the product (antenna terminals, knobs, metal cabinet, screw heads, headphone jack, control shafts, etc.) to be sure the product is safe to operate without danger of electrical shock.

Do not use a line isolation transformer during this check.

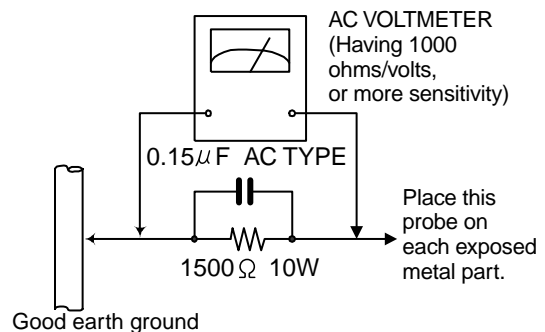
- Plug the AC line cord directly into the AC outlet. Using a "Leakage Current Tester", measure the leakage current from each exposed metal parts of the cabinet, particularly any exposed metal part having a return path to the chassis, to a known good earth ground. Any leakage current must not exceed 0.5mA AC (r.m.s.).

- Alternate check method

Plug the AC line cord directly into the AC outlet. Use an AC voltmeter having, 1,000 ohms per volt or more sensitivity in the following manner. Connect a 1,500  $\Omega$  10W resistor paralleled by a 0.15  $\mu$ F AC-type capacitor between an exposed metal part and a known good earth ground.

Measure the AC voltage across the resistor with the AC voltmeter.

Move the resistor connection to each exposed metal part, particularly any exposed metal part having a return path to the chassis, and measure the AC voltage across the resistor. Now, reverse the plug in the AC outlet and repeat each measurement. Voltage measured any must not exceed 0.75 V AC (r.m.s.). This corresponds to 0.5 mA AC (r.m.s.).







## Warning

1. This equipment has been designed and manufactured to meet international safety standards.
2. It is the legal responsibility of the repairer to ensure that these safety standards are maintained.
3. Repairs must be made in accordance with the relevant safety standards.
4. It is essential that safety critical components are replaced by approved parts.
5. If mains voltage selector is provided, check setting for local voltage.

## CAUTION

**Burrs formed during molding may be left over on some parts of the chassis. Therefore, pay attention to such burrs in the case of performing repair of this system.**

In regard with component parts appearing on the silk-screen printed side (parts side) of the PWB diagrams, the parts that are printed over with black such as the resistor ( , diode ( ) and ICP ( ) or identified by the "  mark nearby are critical for safety.

(This regulation does not correspond to J and C version.)

## Disassembly method

### <Main body>

#### ■ Removing the front net (See Fig.1, 2)

- Remove the front net from the four holders that are fixing the front net.

Note: When it is hard to remove the front net, insert a minus driver, etc. in the place between the main body and the front net as shown in Fig.2 before removing the front net. Exercise care not to damage the main body and the front net when inserting the minus driver. For this purpose, insert the minus driver together with cloth and the like.

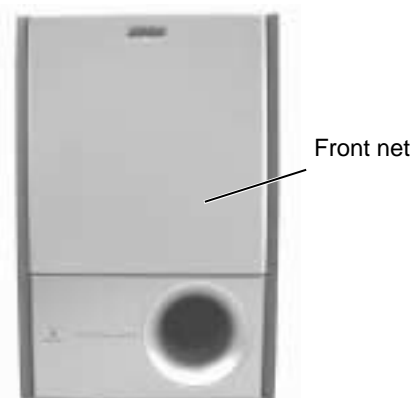


Fig.1

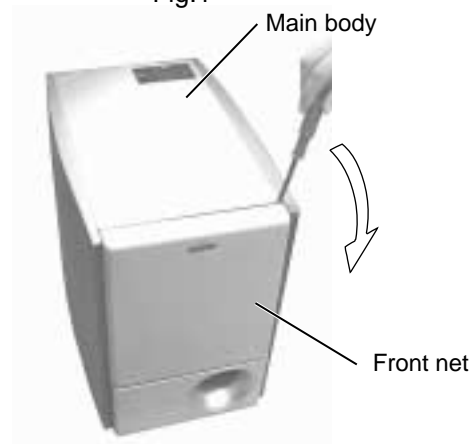


Fig.2

#### ■ Removing the woofer (See Fig.3, 4)

- Remove the front net.

- Remove the six screws **A** attaching the woofer.
- Pull out the woofer toward you.
- Remove the speaker cord.

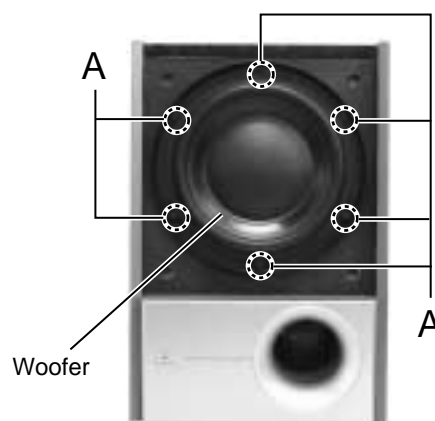


Fig.3

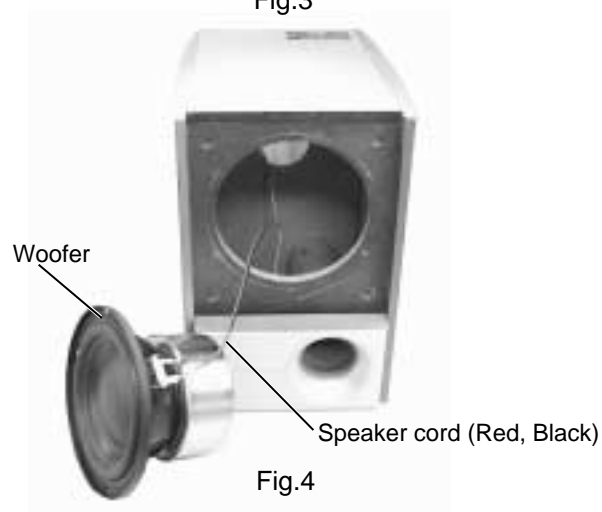


Fig.4

**■ Removing the front panel (See Fig.5)**

1. Place the bottom of the front panel upward.
2. While inserting a minus driver, etc. in the two grooves, remove the four holders that are fixing the front panel.

Note: Exercise care not to damage the main body and the front net when inserting the minus driver. For this purpose, insert the minus driver together with cloth and the like.

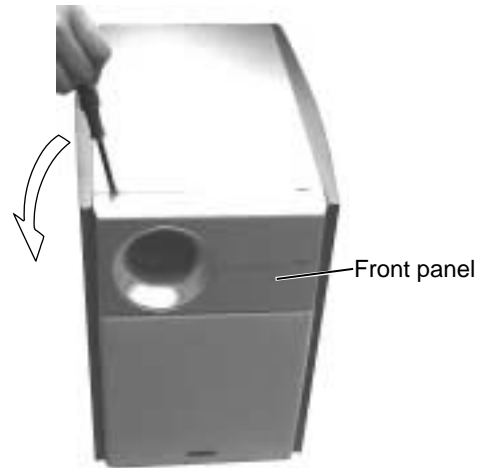


Fig.5

**■ Removing the LED board (See Fig.6)**

- Remove the front panel.
1. Remove the two screws **B** attaching the LED board.

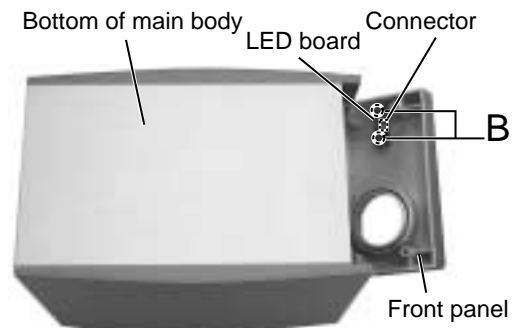


Fig.6

**■ Removing the amplifier box (See Fig.7, 8)**

1. Remove the eleven screws **C** attaching the amplifier box on the back side of the main body
2. Remove the speaker cord connector connecting the amplifier box and the speaker.

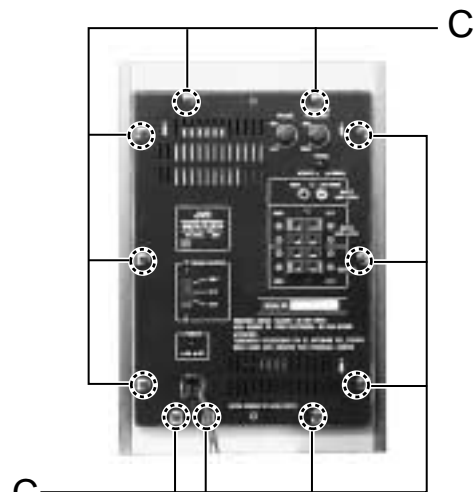


Fig.7

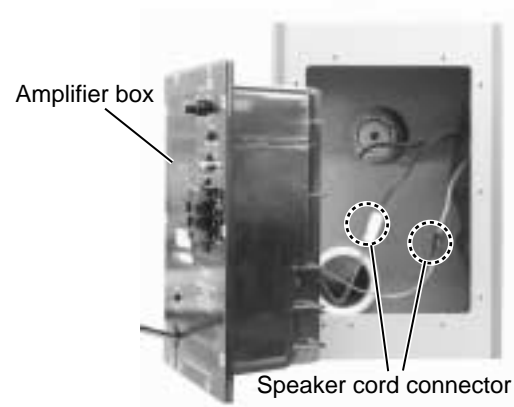


Fig.8

## <Amplifier box>

### ■ Removing the rear panel (See Fig.9)

1. Pull out the volume knob and the crossover frequency knob.
2. Remove the three screws **D** attaching the input jack and speaker terminal.
3. Remove the two screws **D'** attaching the voltage selector, and then remove the rear panel.

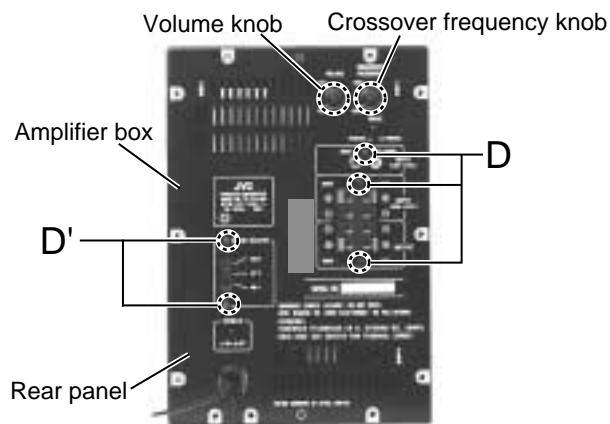


Fig.9

### ■ Removing the power switch board (See Fig.10)

- Remove the rear panel.
1. Pull out the power switch knob.
  2. Remove the three screws **E** and the two screws **F** attaching the bracket **a**.
  3. Pull out the power cord clamp from the bracket **a**.
  4. Pull out the power switch board backward.
  5. Remove the connector CN899.

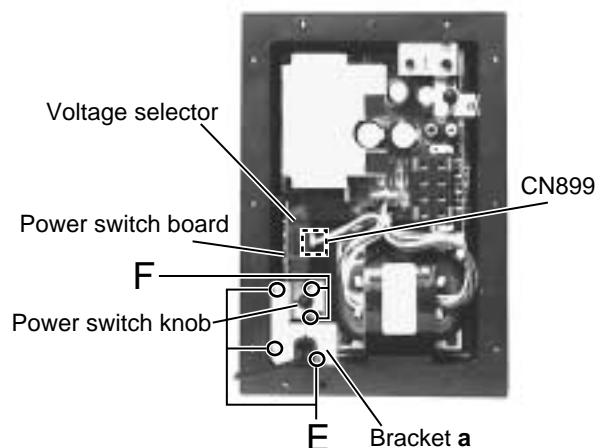


Fig.10

Note: Cut the tie-band, if necessary.

### ■ Removing the terminal board (See Fig.11, 12)

- Remove the rear panel.
1. Pull out the phase knob.
  2. Remove the two nuts attaching the volume knob.
  3. Remove the two screws **G** and the two screws **H** attaching the bracket **b**.
  4. After removing the connector CN811, pull out the terminal board.
  5. Remove the connector CN851.

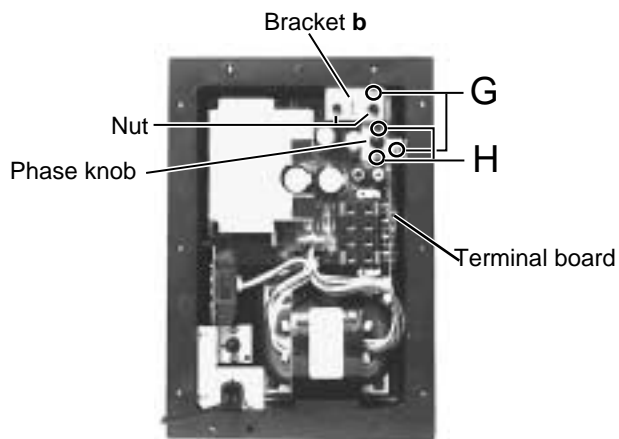


Fig.11

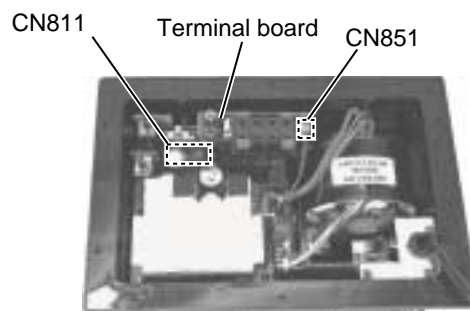


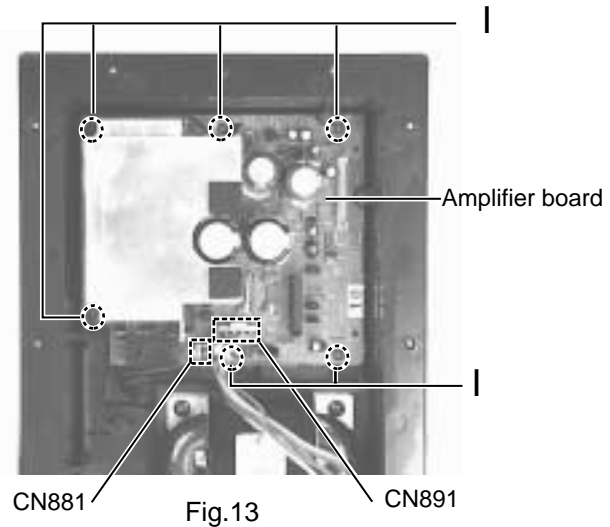
Fig.12

### ■ Removing the amplifier board

(See Fig.13)

- Prior to performing the following procedure, remove the rear panel, the terminal board.

1. Remove the connectors CN881 and CN891
2. Remove the six screws **I** attaching the amplifier board.



### ■ Removing the transformer (See Fig.14)

- Prior to performing the following procedure, remove the rear panel, the power supply board, the amplifier board.

1. Remove the four screws **J** attaching the transformer.

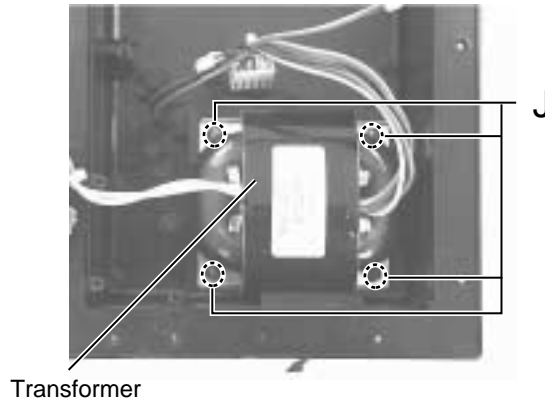
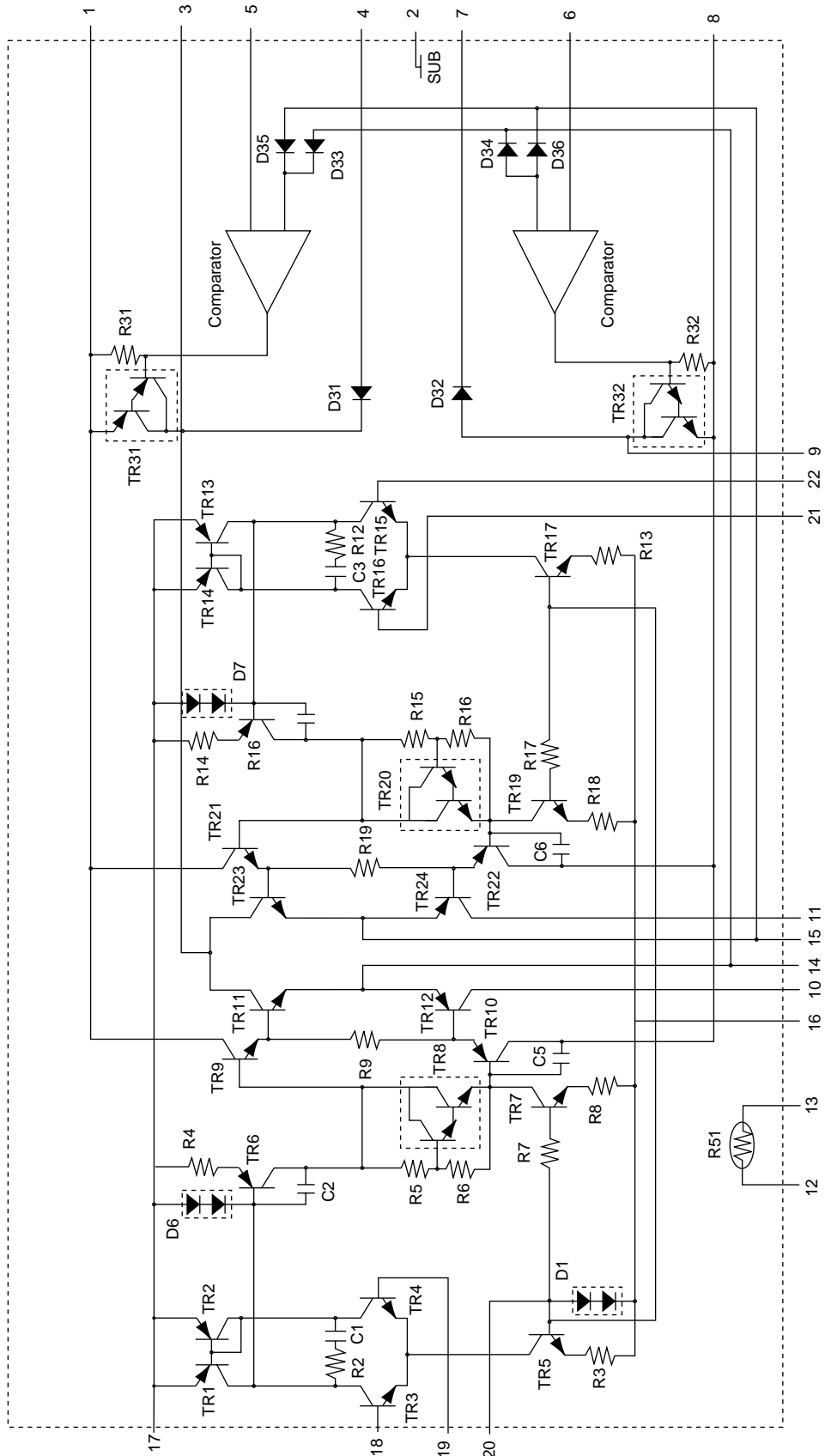


Fig.14

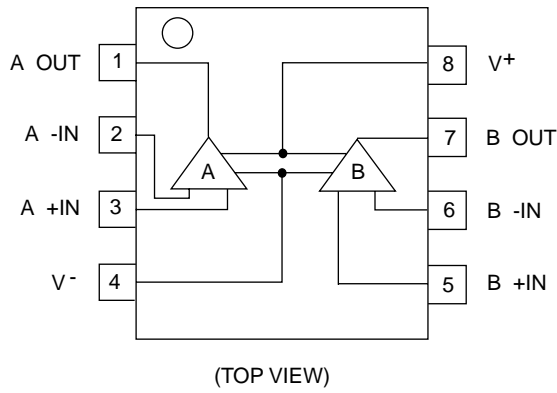
# Description of major ICs

■ STK411-290E(IC821) : Front power amp.

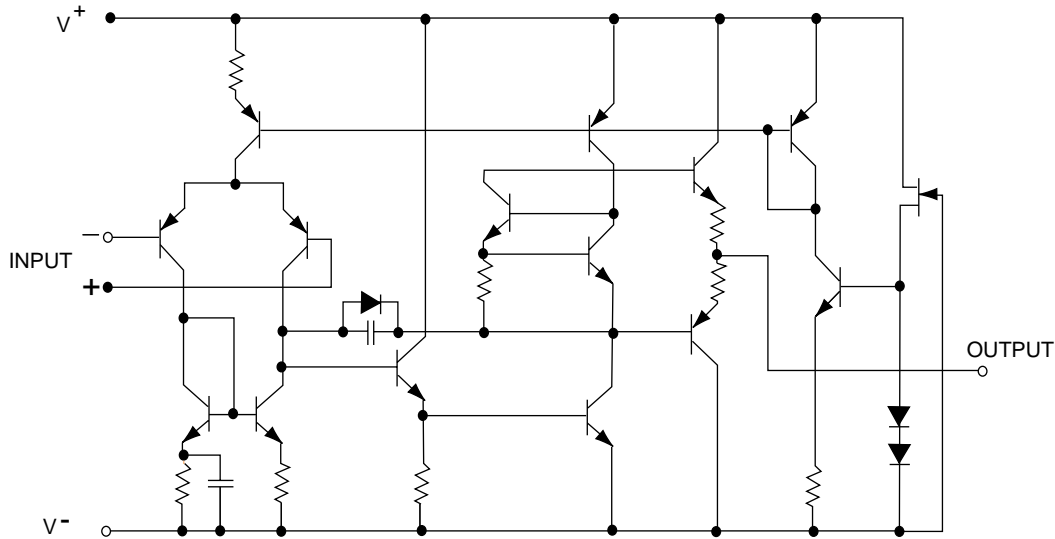


■ NJM4580D(IC811, IC812, IC813) : Dual ope. amp.

1. Pin layout

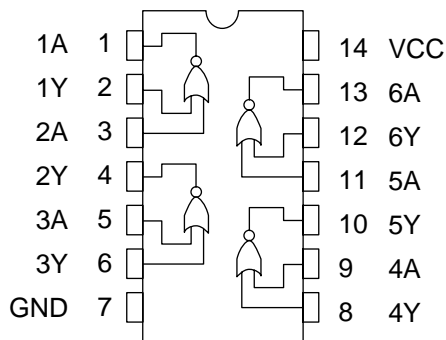


2. Block diagram



■ TC74HCU04AP(IC851) : 2Ch NOR gate

1. Pin layout & block diagram

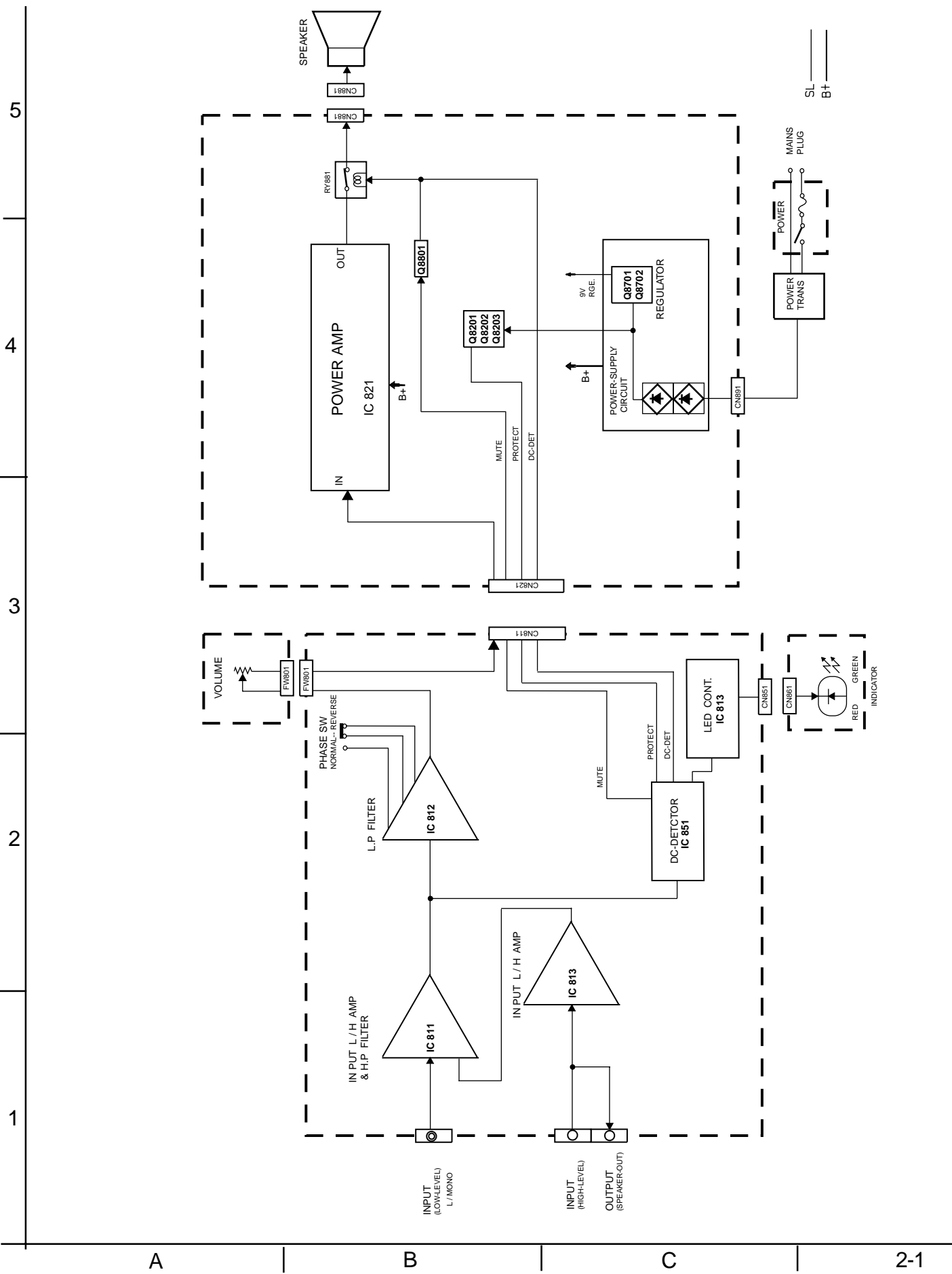


2. True table

A	Y
L	H
H	L



# Block diagram



A

B

C

2-1

# Standard schematic diagram

**NOTES**

- VOLTAGES ARE DC-MEASURED WITH A DIGITAL VOLT METER WITHOUT INPUT SIGNAL.
- UNLESS OTHERWISE SPECIFIED.  
 ALL RESISTORS ARE 1/4W ±5% CARBON RESISTOR.  
 ALL CAPACITORS ARE CERAMIC CAPACITOR OR MYLAR CAPACITOR.  
 ALL RESISTANCE VALUES ARE IN OHM(Ω).  
 ALL CAPACITANCE VALUES ARE IN μF (P=pF).  
 ALL E. CAPACITORS ARE SHOWN IN THE FORM OF CAPACITANCE(μF) / RATED VOLTAGE (V).  
 ALL INDUCTANCE VALUES ARE IN μH(m=μH).

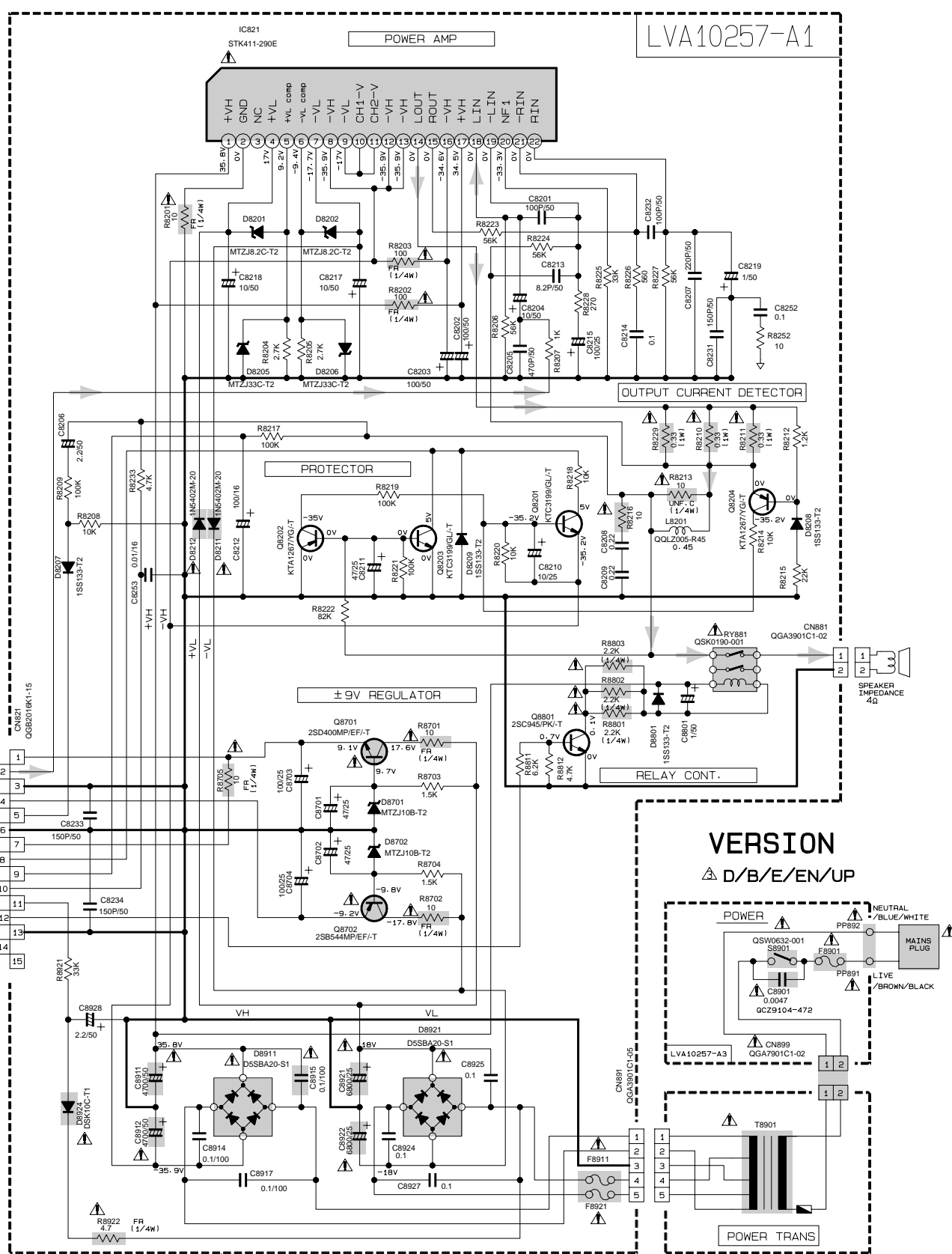
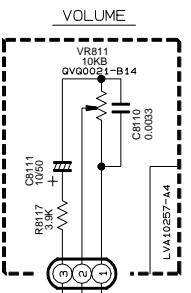
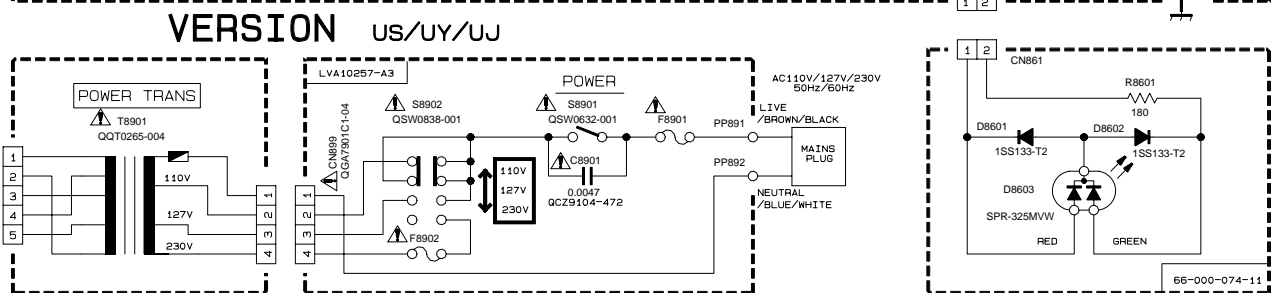
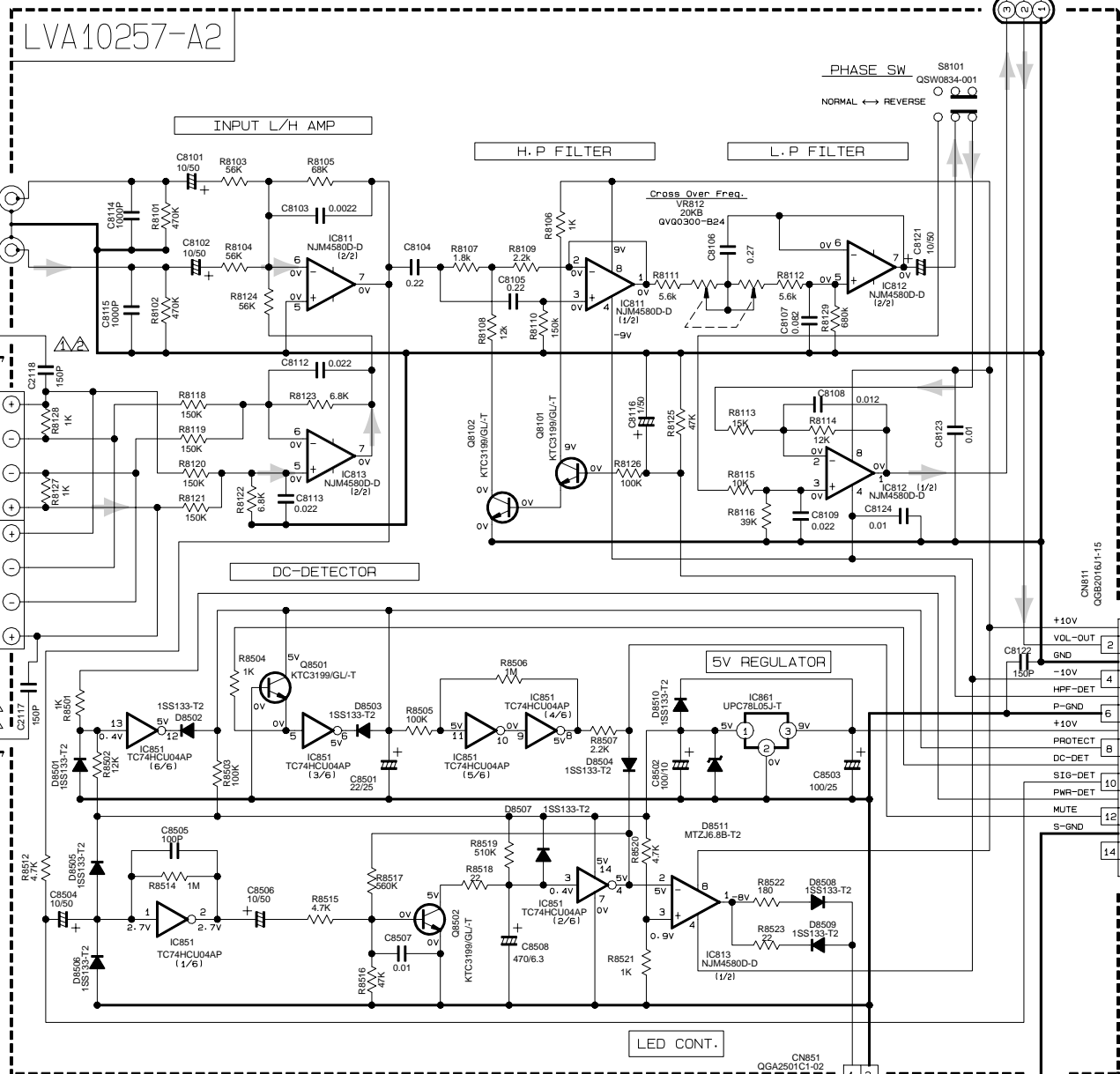
5

4

3

2

1



	D	B/E/EN/UP	US/UY/UJ
T8901	QQT0265-001	QQT0265-003	QQT0265-004
F8901	QMF51U1-2R5-J1	QMF51E2-1R0-J1	QMF51E2-1R6-J1
F8902			QMF51E2-R80-J1
F8911	QMF51N2-2R0-J1	QMF51E2-1R6-J1	QMF51E2-1R25-J1
F8921	QMF51N2-2R0-J1	QMF51E2-1R6-J1	QMF51E2-1R25-J1

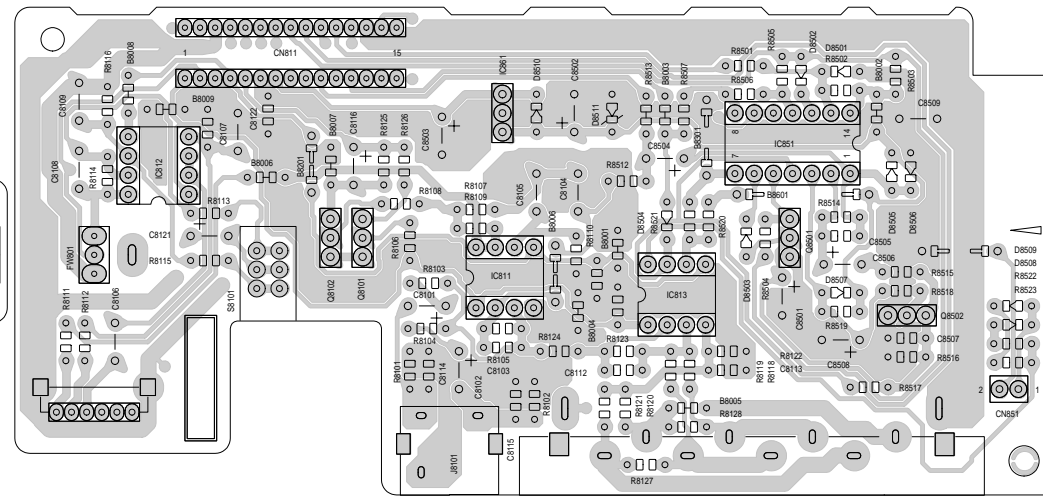
➔ MAIN signal  
 ⚠ Parts are safety assurance parts. When replacing those parts make sure to use the specified.

SP-PW100

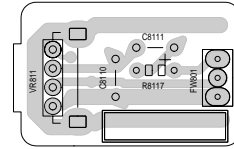
SP-PW100

# Printed circuit boards

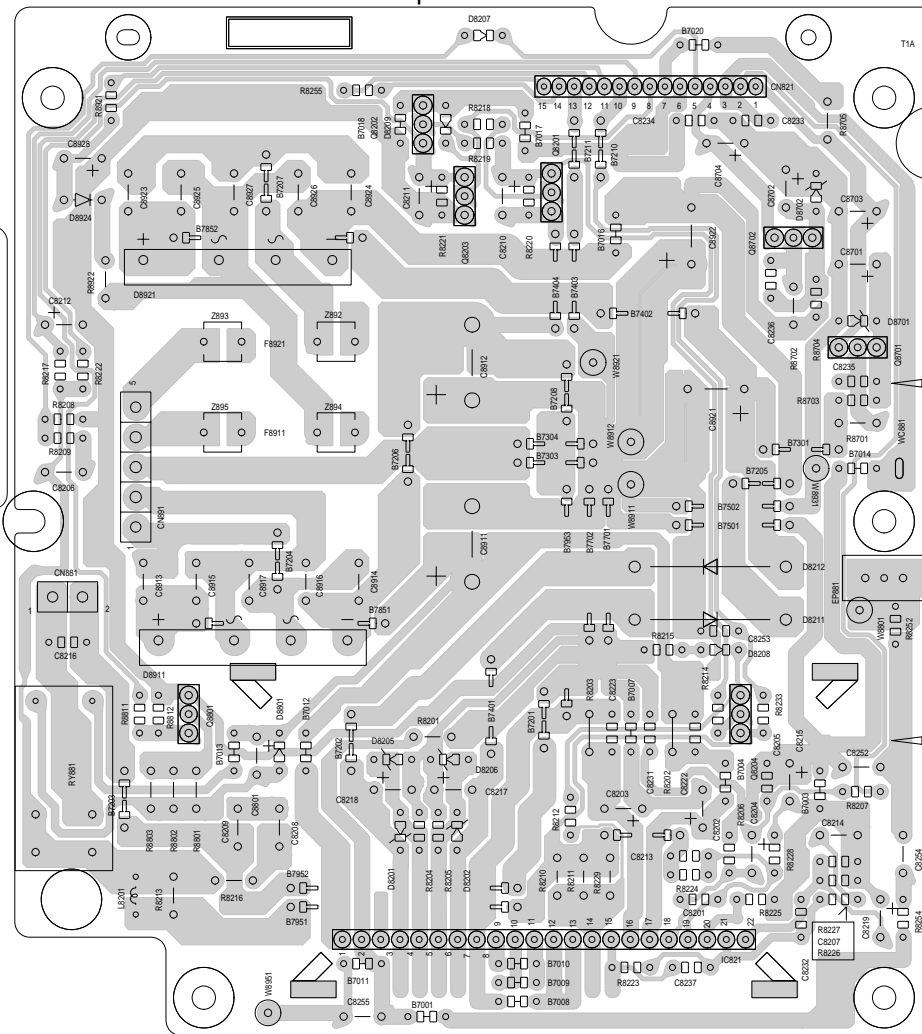
Terminal board



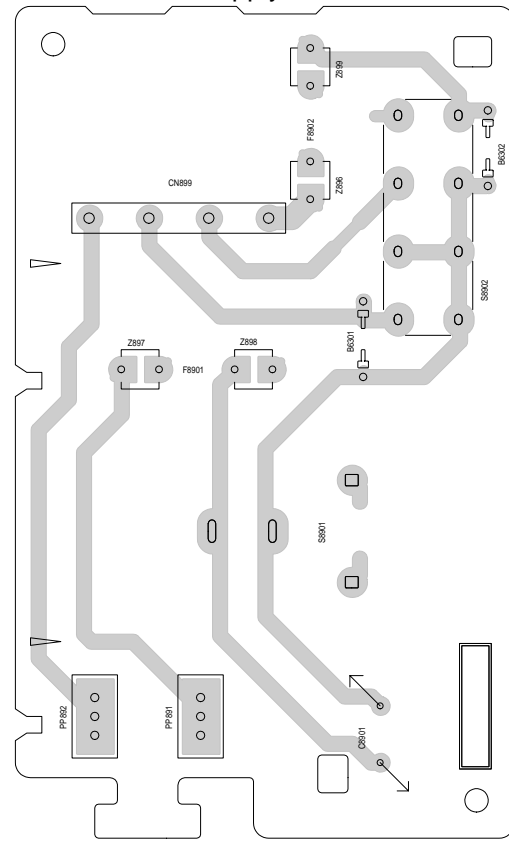
Volume board



Amplifier board



Power supply board

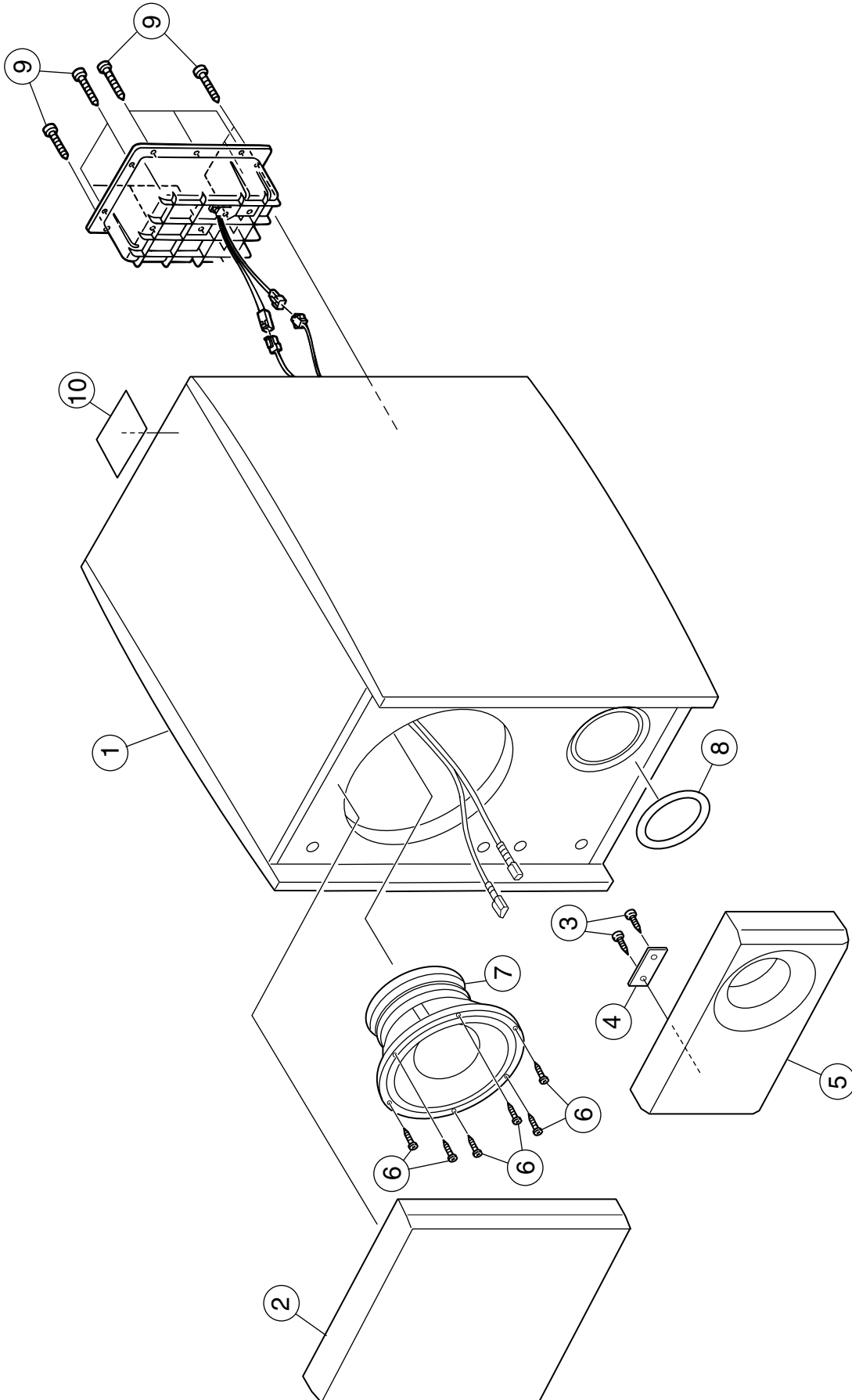


5  
4  
3  
2  
1

A | B | C | 2-4 | D | E | F | G | H

# Exploded view of general assembly and parts list

Block No. M 1 M M



■ Parts list (General assembly)

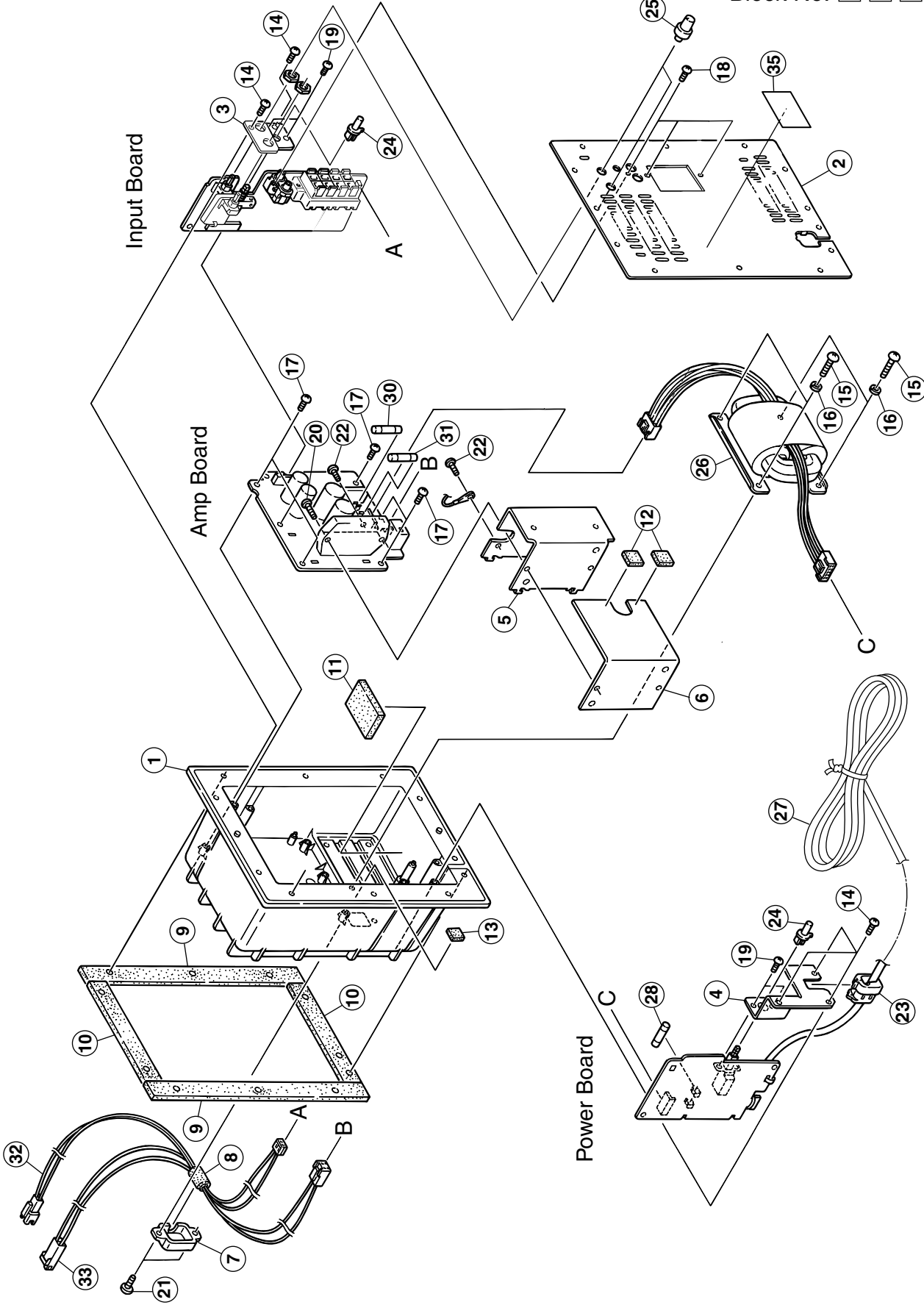
Block No. M1MM

⚠	Item	Parts number	Parts name	Q'ty	Description	Area
	1	AA000021-02	WOOD CABINET	1		
	2	99-160-104-11	SARAN BOARD	1		
	3	7004690801	TAPPING SCREW	2		
	4	66-000-074-11	CIE.BORAD ASSY	1		
	5	53-000-145-01	PANEL	1		
	6	70-059-416-02	SCREW	6		
	7	CR160058-01	CONE SPEAKER	1		
	8	29-100-079-01	RING	1		
	9	SDSA4020M	SCREW	11		
	10	6000167301	CAUTION LABEL	1		

# Amp. assembly and parts list

Block No. 

M	2	M	M
---	---	---	---



## ■ Parts list (Amp. assembly)

Block No. M2MM

△	Item	Parts number	Parts name	Q'ty	Description	Area
	1	LV10253-002A	COVER	1		
	2	LV20997-010A	BACK PANEL	1		
	3	LV42236-001A	VOLUME BRACKET	1		
	4	LV41147-001A	AC BRACKET	1		
△	5	LV31303-002A	HEAT SINK	1		
△	6	LV41211-001A	HEAT SINK	1		
	7	LV41148-002A	CORD COVER	1		
	8	LV30225-025A	SPACER	1		
	9	LV30225-026A	SPACER	2		
	10	LV30225-027A	SPACER	2		
	11	LV30225-028A	SPACER	1		
	12	LV30225-029A	SPACER	2		
	13	LV30225-030A	SPACER	1		
	14	QYSBSF3008Z	SCREW	5	FOR AC BRACKET	
	15	QYSBSF4016Z	SCREW	4	FOR TRANS	
	16	QYWLS417610Z	WASHER	4		
	17	QYSBSF3008Z	SCREW	6	FOR PCB	
	18	QYSBSGY3008M	SPECIAL SCREW	3	FOR SPK TERMINA	
	19	QYSBST3006Z	T.SCREW	4	FOR POWER SW	
	20	QYSBSG3016Z	T.SCREW	2	FOR POWER IC	
	21	QYSBSF4012Z	SCREW	2		
	22	QYSBSG3010Z	T.SCREW	2		
△	23	QHS3771-108	CORD STOPPER	1		
	24	E407321-002SM	PUSH BUTTON	2		
	25	LV30734-002A	KNOB	2		
△	26	QQT0265-003	POWER TRANSF	1	T8901	
△	27	EMP7000-200	POWER CORD	1		
△	28	QMF51E2-1R0-J1	FUSE	1	F8901	
△	30	QMF51E2-1R6-J1	FUSE	1	F8911	
△	31	QMF51E2-1R6-J1	FUSE	1	F8921	
	32	WJJ0097-001A	E-SI C WIRE C-C	1		
	33	WJJ0098-001A	E-SI C WIRE C-C	1		
	35	LV30262-016A	UP LABEL	1		

■ Electrical parts list (Main board)

Block No. 01

△	Item	Parts number	Parts name	Remarks	Area
	CN811	QGB2016J1-15	CONNECTOR	TO WOOF.PWB	
	CN821	QGB2016K1-15	CONNECTOR	TO CONT.PWB	
	CN851	QGA2501C1-02	2P CONNECTOR	FOR LED	
	CN881	QGA3901C1-02	CONNECTOR	FOR SPK	
	CN891	QGA3901C1-05	CONNECTOR	FOR SEC.POWER	
△	CN899	QGA7901C1-02	CONNECTOR	PRI MORE	
	C2117	QCBB1HK-151Y	C CAPACITOR	150PF 10% 50V	
	C2118	QCBB1HK-151Y	C CAPACITOR	150PF 10% 50V	
	C8101	QTE1H28-106Z	E CAPACITOR		
	C8102	QTE1H28-106Z	E CAPACITOR		
	C8103	QCBB1HK-222Y	C CAPACITOR	2200PF 10% 50V	
	C8104	QFVJ1HJ-224Z	MF CAPACITOR	.22MF 5% 50V	
	C8105	QFVJ1HJ-224Z	MF CAPACITOR	.22MF 5% 50V	
	C8106	QFVJ1HJ-274Z	MF CAPACITOR	.27MF 5% 50V	
	C8107	QFVJ1HJ-823Z	MF CAPACITOR	.082MF 5% 50V	
	C8108	QFN31HJ-123Z	M CAPACITOR	.012MF 5% 50V	
	C8109	QFVJ1HJ-223Z	MF CAPACITOR	.022MF 5% 50V	
	C8110	QFN31HJ-332Z	M CAPACITOR	3300PF 5% 50V	
	C8111	QTE1H28-106Z	E CAPACITOR		
	C8112	QCBB1HK-223Y	C CAPACITOR	.022MF 10% 50V	
	C8113	QCBB1HK-223Y	C CAPACITOR	.022MF 10% 50V	
	C8114	QDGB1HK-102Y	C CAPACITOR		
	C8115	QDGB1HK-102Y	C CAPACITOR		
	C8116	QETN1HM-105Z	E CAPACITOR	1.0MF 20% 50V	
	C8121	QTE1H28-106Z	E CAPACITOR		
	C8122	QCBB1HK-151Y	C CAPACITOR	150PF 10% 50V	
	C8123	QCBB1HK-103Y	C CAPACITOR	.010MF 10% 50V	
	C8124	QCBB1HK-103Y	C CAPACITOR	.010MF 10% 50V	
	C8201	QCBB1HK-101Y	C CAPACITOR	100PF 10% 50V	
	C8202	QTE1H28-107Z	E CAPACITOR		
	C8203	QTE1H28-107Z	E CAPACITOR		
	C8204	QTE1H28-106Z	E CAPACITOR		
	C8205	QCBB1HK-471Y	C CAPACITOR	470PF 10% 50V	
	C8206	QENC1HM-225Z	NP E CAPACITOR	2.2MF 20% 50V	
	C8207	QCBB1HK-221Y	C CAPACITOR	220PF 10% 50V	
	C8208	QFVJ1HJ-224Z	MF CAPACITOR	.22MF 5% 50V	
	C8209	QFVJ1HJ-224Z	MF CAPACITOR	.22MF 5% 50V	
	C8210	QETN1EM-106Z	E CAPACITOR	10MF 20% 25V	
	C8211	QETN1EM-476Z	E CAPACITOR	47MF 20% 25V	
	C8212	QETN1CM-107Z	E CAPACITOR	100MF 20% 16V	
	C8213	QDCB1HK-8R2Y	C CAPACITOR		
	C8214	QFVJ1HJ-104Z	MF CAPACITOR	.10MF 5% 50V	
	C8215	QTE1E28-107Z	E CAPACITOR		
	C8217	QTE1H28-106Z	E CAPACITOR		
	C8218	QTE1H28-106Z	E CAPACITOR		
	C8219	QETN1HM-105Z	E CAPACITOR	1.0MF 20% 50V	
	C8231	QCBB1HK-151Y	C CAPACITOR	150PF 10% 50V	
	C8232	QCBB1HK-101Y	C CAPACITOR	100PF 10% 50V	
	C8233	QCBB1HK-151Y	C CAPACITOR	150PF 10% 50V	
	C8234	QCBB1HK-151Y	C CAPACITOR	150PF 10% 50V	
	C8252	QFVJ1HJ-104Z	MF CAPACITOR	.10MF 5% 50V	
	C8253	QDYB1CM-103Y	C CAPACITOR		
	C8501	QETN1EM-226Z	E CAPACITOR	22MF 20% 25V	
	C8502	QETN1AM-107Z	E CAPACITOR	100MF 20% 10V	
	C8503	QETN1EM-107Z	E CAPACITOR	100MF 20% 25V	
	C8504	QETN1HM-106Z	E CAPACITOR	10MF 20% 50V	
	C8505	QCBB1HK-101Y	C CAPACITOR	100PF 10% 50V	
	C8506	QETN1HM-106Z	E CAPACITOR	10MF 20% 50V	
	C8507	QDYB1CM-103Y	C CAPACITOR		
	C8508	QETN0JM-477Z	E CAPACITOR	470MF 20% 6.3V	
	C8701	QTE1E28-476Z	E CAPACITOR		
	C8702	QTE1E28-476Z	E CAPACITOR		
	C8703	QTE1E28-107Z	E CAPACITOR		

△	Item	Parts number	Parts name	Remarks	Area
	C8704	QTE1E28-107Z	E CAPACITOR		
	C8801	QETN1HM-105Z	E CAPACITOR	1.0MF 20% 50V	
△	C8901	QCZ9104-472	C CAPACITOR	4700PF	
△	C8911	QEZO223-478	E CAPACITOR	4700MF	
△	C8912	QEZO223-478	E CAPACITOR	4700MF	
	C8914	QFV72AJ-104Z	MF CAPACITOR	.10MF 5% 100V	
	C8915	QFV72AJ-104Z	MF CAPACITOR	.10MF 5% 100V	
	C8917	QFV72AJ-104Z	MF CAPACITOR	.10MF 5% 100V	
△	C8921	QETM1EM-688	E CAPACITOR	6800MF 20% 25V	
△	C8922	QETM1EM-688	E CAPACITOR	6800MF 20% 25V	
	C8924	QFVJ1HJ-104Z	MF CAPACITOR	.10MF 5% 50V	
	C8925	QFVJ1HJ-104Z	MF CAPACITOR	.10MF 5% 50V	
	C8927	QFVJ1HJ-104Z	MF CAPACITOR	.10MF 5% 50V	
	C8928	QETN1HM-225Z	E CAPACITOR	2.2MF 20% 50V	
	D8201	MTZJ8.2C-T2	ZENER DIODE		
	D8202	MTZJ8.2C-T2	ZENER DIODE		
	D8205	MTZJ33C-T2	Z DIODE		
	D8206	MTZJ33C-T2	Z DIODE		
	D8207	1SS133-T2	SI DIODE		
	D8208	1SS133-T2	SI DIODE		
	D8209	1SS133-T2	SI DIODE		
△	D8211	1N5402M-20	DIODE		
△	D8212	1N5402M-20	DIODE		
	D8501	1SS133-T2	SI DIODE		
	D8502	1SS133-T2	SI DIODE		
	D8503	1SS133-T2	SI DIODE		
	D8504	1SS133-T2	SI DIODE		
	D8505	1SS133-T2	SI DIODE		
	D8506	1SS133-T2	SI DIODE		
	D8507	1SS133-T2	SI DIODE		
	D8508	1SS133-T2	SI DIODE		
	D8509	1SS133-T2	SI DIODE		
	D8510	1SS133-T2	SI DIODE		
	D8511	MTZJ6.8B-T2	ZENER DIODE		
	D8701	MTZJ10B-T2	ZENER DIODE		
	D8702	MTZJ10B-T2	ZENER DIODE		
	D8801	1SS133-T2	SI DIODE		
△	D8911	D5SBA20-S1	SI DIODE	+/-35V	
△	D8921	D5SBA20-S1	SI DIODE	+/-15V	
△	D8924	DSK10C-T1	DIODE		
	FW801	QUM103-06Z4Z4	PARA RIBON WIRE		
	IC811	NJM4580D-D	IC		
	IC812	NJM4580D-D	IC		
	IC813	NJM4580D-D	IC		
△	IC821	STK411-290E	IC	WOOFER AMP	
	IC851	TC74HCU04AP	IC		
	IC861	UPC78L05J-T	IC		
	J8101	QNN0090-001	PIN JACK		
	J8102	QNB0002-001	SPK TERMINAL		
	L8201	QLLZ005-R45	INDUCTOR		
	PP891	QNZ0079-001Z	TAB		
	PP892	QNZ0079-001Z	TAB		
	Q8101	KTC3199/GL-T	TRANSISTOR		
	Q8102	KTC3199/GL-T	TRANSISTOR		
△	Q8201	KTC3199/GL-T	TRANSISTOR		
	Q8202	KTA1267/YG-T	TRANSISTOR		
	Q8203	KTC3199/GL-T	TRANSISTOR		
	Q8204	KTA1267/YG-T	TRANSISTOR		
	Q8501	KTC3199/GL-T	TRANSISTOR		
	Q8502	KTC3199/GL-T	TRANSISTOR		
△	Q8701	2SD400MP/EF-T	TRANSISTOR		
△	Q8702	2SB544MP(E,F)	TRANSISTOR		
	Q8801	2SC945/PK/T	TRANSISTOR		



■ Electrical parts list (Main board)

Block No. 01

△	Item	Parts number	Parts name	Remarks	Area
△	RY881	QSK0109-001	RELAY		
	R8101	QRE141J-474Y	C RESISTOR	470K 5% 1/4W	
	R8102	QRE141J-474Y	C RESISTOR	470K 5% 1/4W	
	R8103	QRE141J-563Y	C RESISTOR	56K 5% 1/4W	
	R8104	QRE141J-563Y	C RESISTOR	56K 5% 1/4W	
	R8105	QRE141J-683Y	C RESISTOR	68K 5% 1/4W	
	R8106	QRE141J-102Y	C RESISTOR	1.0K 5% 1/4W	
	R8107	QRE141J-182Y	C RESISTOR	1.8K 5% 1/4W	
	R8108	QRE141J-123Y	C RESISTOR	12K 5% 1/4W	
	R8109	QRE141J-222Y	C RESISTOR	2.2K 5% 1/4W	
	R8110	QRE141J-154Y	C RESISTOR	150K 5% 1/4W	
	R8111	QRE141J-562Y	C RESISTOR	5.6K 5% 1/4W	
	R8112	QRE141J-562Y	C RESISTOR	5.6K 5% 1/4W	
	R8113	QRE141J-153Y	C RESISTOR	15K 5% 1/4W	
	R8114	QRE141J-123Y	C RESISTOR	12K 5% 1/4W	
	R8115	QRE141J-103Y	C RESISTOR	10K 5% 1/4W	
	R8116	QRE141J-393Y	C RESISTOR	39K 5% 1/4W	
	R8117	QRE141J-392Y	C RESISTOR	3.9K 5% 1/4W	
	R8118	QRE141J-154Y	C RESISTOR	150K 5% 1/4W	
	R8119	QRE141J-154Y	C RESISTOR	150K 5% 1/4W	
	R8120	QRE141J-154Y	C RESISTOR	150K 5% 1/4W	
	R8121	QRE141J-154Y	C RESISTOR	150K 5% 1/4W	
	R8122	QRE141J-682Y	C RESISTOR	6.8K 5% 1/4W	
	R8123	QRE141J-682Y	C RESISTOR	6.8K 5% 1/4W	
	R8124	QRE141J-563Y	C RESISTOR	56K 5% 1/4W	
	R8125	QRE141J-473Y	C RESISTOR	47K 5% 1/4W	
	R8126	QRE141J-104Y	C RESISTOR	100K 5% 1/4W	
	R8127	QRE141J-102Y	C RESISTOR	1.0K 5% 1/4W	
	R8128	QRE141J-102Y	C RESISTOR	1.0K 5% 1/4W	
	R8129	QRE141J-684Y	C RESISTOR	680K 5% 1/4W	
△	R8201	QRZ9005-100X	F RESISTOR	10 1/4W	
△	R8202	QRZ9015-101X	F RESISTOR	100 1/4W	
△	R8203	QRZ9015-101X	F RESISTOR	100 1/4W	
	R8204	QRE141J-272Y	C RESISTOR	2.7K 5% 1/4W	
	R8205	QRE141J-272Y	C RESISTOR	2.7K 5% 1/4W	
	R8206	QRE141J-563Y	C RESISTOR	56K 5% 1/4W	
	R8207	QRE141J-102Y	C RESISTOR	1.0K 5% 1/4W	
	R8208	QRE141J-103Y	C RESISTOR	10K 5% 1/4W	
	R8209	QRE141J-104Y	C RESISTOR	100K 5% 1/4W	
△	R8210	QRT01DJ-R33X	MF RESISTOR	5% 1W	
△	R8211	QRT01DJ-R33X	MF RESISTOR	5% 1W	
	R8212	QRE141J-122Y	C RESISTOR	1.2K 5% 1/4W	
△	R8213	QRJ146J-100X	UNF C RESISTOR	10 5% 1/4W	
	R8214	QRE141J-103Y	C RESISTOR	10K 5% 1/4W	
	R8215	QRE141J-223Y	C RESISTOR	22K 5% 1/4W	
△	R8216	QRZ9005-100X	F RESISTOR	10 1/4W	
	R8217	QRE141J-104Y	C RESISTOR	100K 5% 1/4W	
	R8218	QRE141J-103Y	C RESISTOR	10K 5% 1/4W	
	R8219	QRE141J-104Y	C RESISTOR	100K 5% 1/4W	
	R8220	QRE141J-103Y	C RESISTOR	10K 5% 1/4W	
	R8221	QRE141J-104Y	C RESISTOR	100K 5% 1/4W	
	R8222	QRE141J-823Y	C RESISTOR	82K 5% 1/4W	
	R8223	QRE141J-563Y	C RESISTOR	56K 5% 1/4W	
	R8224	QRE141J-563Y	C RESISTOR	56K 5% 1/4W	
	R8225	QRE141J-333Y	C RESISTOR	33K 5% 1/4W	
	R8226	QRE141J-561Y	C RESISTOR	560 5% 1/4W	
	R8227	QRE141J-563Y	C RESISTOR	56K 5% 1/4W	
	R8228	QRE141J-271Y	C RESISTOR	270 5% 1/4W	
△	R8229	QRT01DJ-R33X	MF RESISTOR	5% 1/1W	
	R8233	QRE141J-472Y	C RESISTOR	4.7K 5% 1/4W	
	R8252	QRE141J-100Y	C RESISTOR	10 5% 1/4W	
	R8501	QRE141J-102Y	C RESISTOR	1.0K 5% 1/4W	
	R8502	QRE141J-123Y	C RESISTOR	12K 5% 1/4W	

△	Item	Parts number	Parts name	Remarks	Area
	R8503	QRE141J-104Y	C RESISTOR	100K 5% 1/4W	
	R8504	QRE141J-102Y	C RESISTOR	1.0K 5% 1/4W	
	R8505	QRE141J-104Y	C RESISTOR	100K 5% 1/4W	
	R8506	QRE141J-105Y	C RESISTOR	1.0M 5% 1/4W	
	R8507	QRE141J-222Y	C RESISTOR	2.2K 5% 1/4W	
	R8512	QRE141J-472Y	C RESISTOR	4.7K 5% 1/4W	
	R8514	QRE141J-105Y	C RESISTOR	1.0M 5% 1/4W	
	R8515	QRE141J-472Y	C RESISTOR	4.7K 5% 1/4W	
	R8516	QRE141J-473Y	C RESISTOR	47K 5% 1/4W	
	R8517	QRE141J-564Y	C RESISTOR	560K 5% 1/4W	
	R8518	QRE141J-220Y	C RESISTOR	22 5% 1/4W	
	R8519	QRE141J-514Y	C RESISTOR	510K 5% 1/4W	
	R8520	QRE141J-472Y	C RESISTOR	4.7K 5% 1/4W	
	R8521	QRE141J-102Y	C RESISTOR	1.0K 5% 1/4W	
	R8522	QRE141J-181Y	C RESISTOR	180 5% 1/4W	
	R8523	QRE141J-220Y	C RESISTOR	22 5% 1/4W	
△	R8701	QRZ9005-100X	F RESISTOR	10 1/4W	
△	R8702	QRZ9005-100X	F RESISTOR	10 1/4W	
	R8703	QRE141J-152Y	C RESISTOR	1.5K 5% 1/4W	
	R8704	QRE141J-152Y	C RESISTOR	1.5K 5% 1/4W	
△	R8705	QRZ9005-100X	F RESISTOR	10 1/4W	
△	R8801	QRJ146J-222X	UNF C RESISTOR	2.2K 5% 1/4W	
△	R8802	QRJ146J-222X	UNF C RESISTOR	2.2K 5% 1/4W	
	R8803	QRJ146J-222X	UNF C RESISTOR	2.2K 5% 1/4W	
	R8811	QRE141J-622Y	C RESISTOR	6.2K 5% 1/4W	
	R8812	QRE141J-472Y	C RESISTOR	4.7K 5% 1/4W	
	R8921	QRE141J-333Y	C RESISTOR	33K 5% 1/4W	
△	R8922	QRZ9006-4R7X	F RESISTOR	4.7 1/4W	
	S8101	QSW0834-001	PUSH SWITCH	PHASE CHANGE	
△	S8901	QSW0632-001	PUSH SWITCH		
	VR811	QVQ0021-B14	V RESISTOR		
	VR812	QVQ0300-B24	V.RES.		
	WC881	QZW0038-001	WIRE CLAMP		
△	Z 892	QNG0003-001Z	FUSE CLIP		
△	Z 893	QNG0003-001Z	FUSE CLIP		
△	Z 894	QNG0003-001Z	FUSE CLIP		
△	Z 895	QNG0003-001Z	FUSE CLIP		
△	Z 897	QNG0003-001Z	FUSE CLIP		
△	Z 898	QNG0003-001Z	FUSE CLIP		

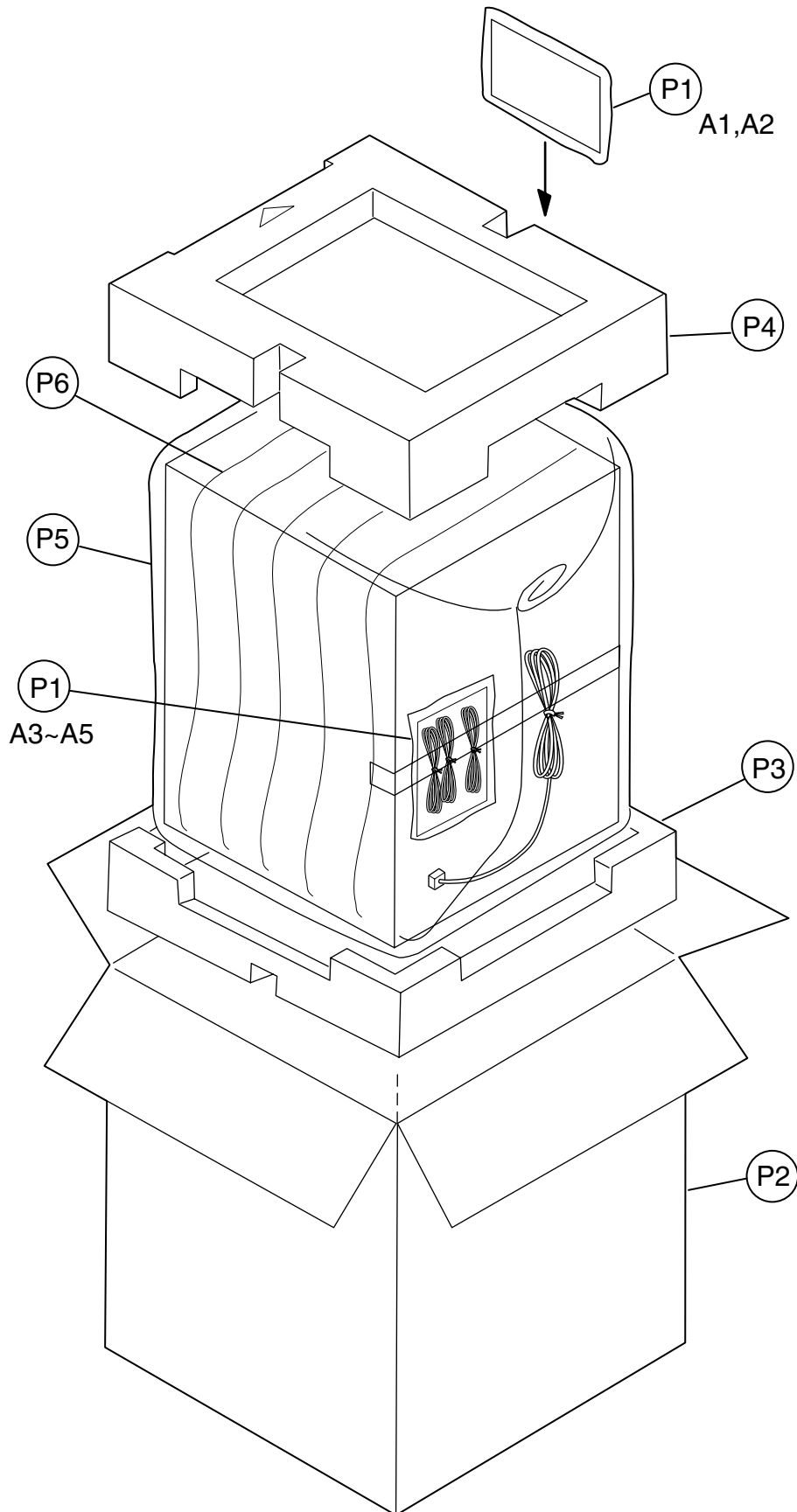
# Packing materials and accessories parts list

Block No. 

M	3	M	M
---	---	---	---

Block No. 

M	5	M	M
---	---	---	---



■ **Parts list (Packing)**

Block No. M3MM

⚠	Item	Parts number	Parts name	Q'ty	Description	Area
	P 1	QPA02503503P	POLY BAG	2	FOR INST	
	P 2	LV31492-013A	CARTON	1		
	P 3	80-000-449-11	BOTTOM CUSHION	1		
	P 4	80-000-449-01	TOP CUSHION	1		
	P 5	8500037721	POLY BAG	1		
	P 6	85-000-353-21	MIRROR MAT	1		

■ **Parts list (Accessories)**

Block No. M5MM

⚠	Item	Parts number	Parts name	Q'ty	Description	Area
	A 1	LVT0909-001A	INST BOOK	1		
	A 2	BT-56010-1	WARRANTY CARD	1		
	A 3	LV42286-002A	FOOT	1		
	A 4	LE30745-001A	SPK CORD	2		
	A 5	QAM0199-001	PIN CABLE	1		