

## DESCRIPTION

PT6312B is a Vacuum Fluorescent Display (VFD) Controller driven on a 1/4 to 1/11 duty factor. Eleven segment output lines, 6 grid output lines, 5 segment/grid output drive lines, one display memory, control circuit, key scan circuit are all incorporated into a single chip to build a highly reliable peripheral device for a single chip micro computer. Serial data is fed to PT6312B via a three-line serial interface. It is housed in a 44-pin plastic LQFP Package and is functionally compatible with  $\mu$ PD16312.

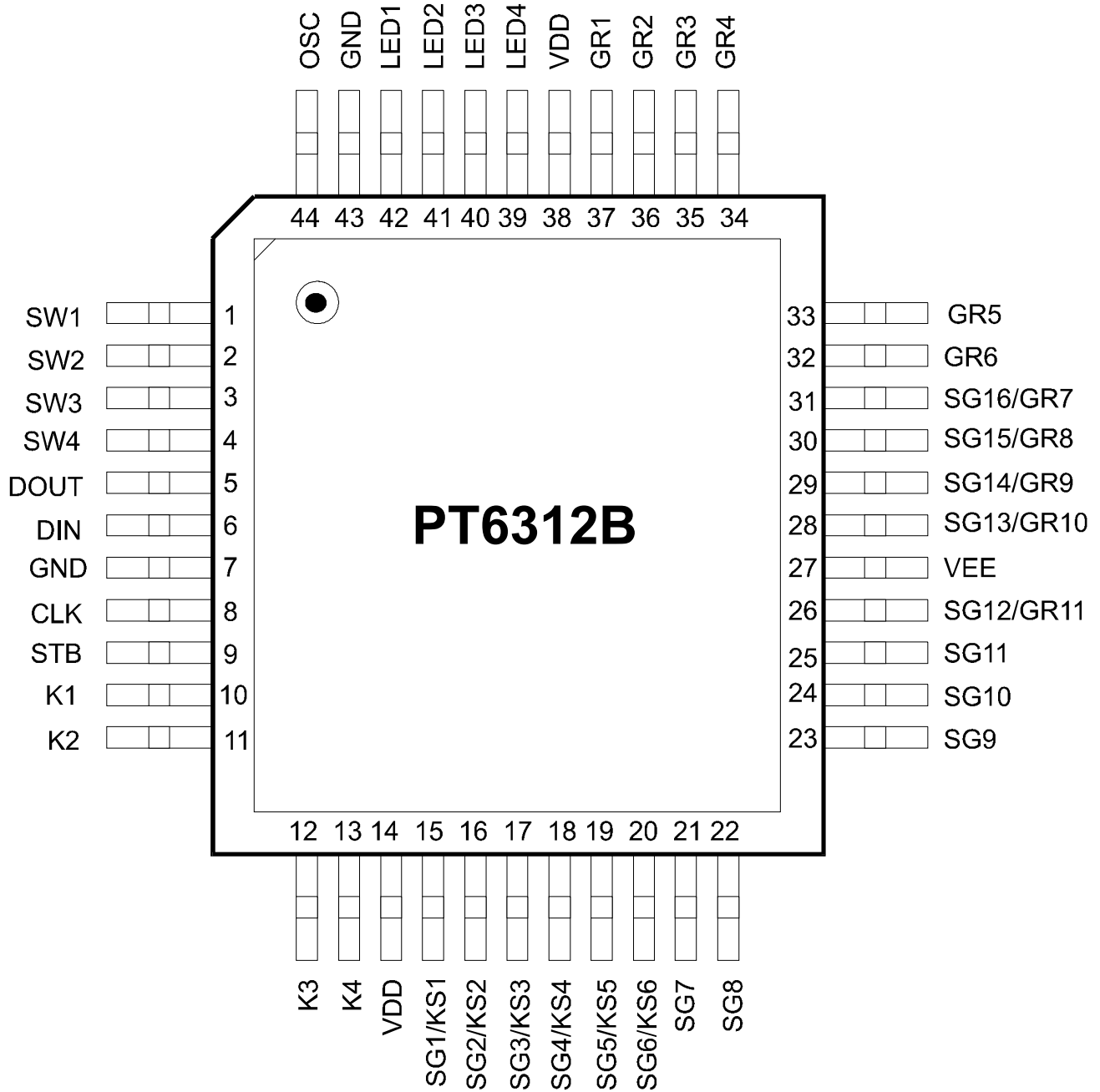
## FEATURES

- CMOS Technology
- Low Power Consumption
- Key Scanning (6 x 4 matrix)
- Multiple Display Modes: (11 segments, 11 digits to 16 segments, 6 digits)
- 8-Step Dimming Circuitry
- LED Ports Provided (4 channels, 20 mA max.)
- 4- Bits General Purpose Input Ports Provided
- Serial Interface for Clock, Data Input, Data Output, Strobe Pins
- No External Resistors Needed for Driver Outputs
- Functional Compatibility with  $\mu$ PD16312
- Available in 44-pin, LQFP Package

## APPLICATIONS

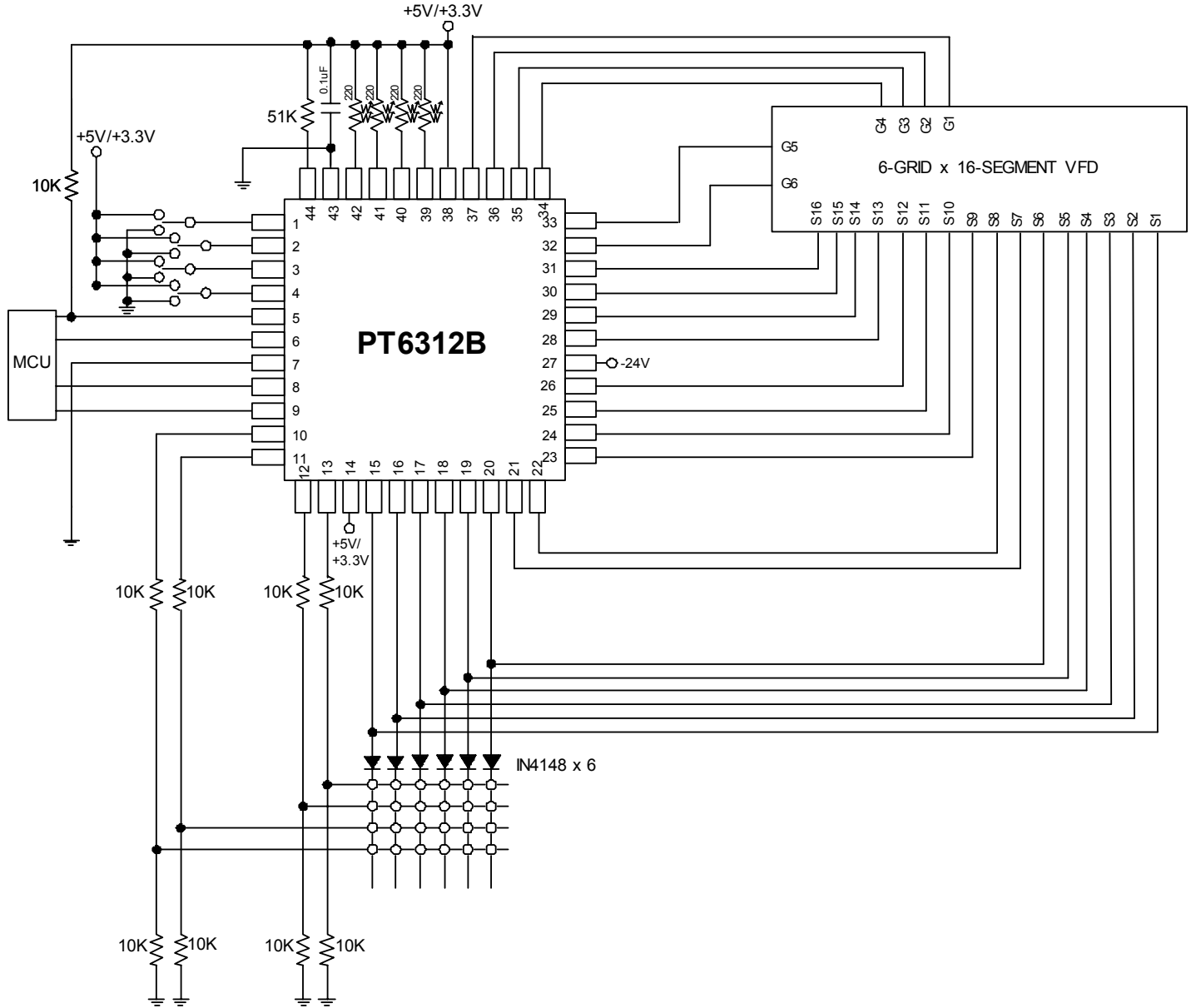
- Microcomputer Peripheral Devices

# PIN CONFIGURATION



**VFD Driver/Controller IC** **PT6312B**

# 6-GRID X 6-SEGMENT VFD APPLICATION CIRCUIT



## ORDER INFORMATION

Valid Part Number	Package Type	Top Code
PT6312BLQ	44-pin, LQFP	PT6312BLQ