

TOSHIBA CMOS DIGITAL INTEGRATED SILICON MONOLITHIC

TC9309AF-119**SINGLE CHIP DIGITAL TUNING SYSTEM FOR CD RADIO CASSETTE**

TC9309AF-119 is a CMOS LSI designed for a PLL frequency synthesizer radio system corresponded to the requirement of the whole world.

Since TC9309AF-119 can be used for TC9284BF the CD processor and receive remote control signal, a low cost compact CD radio system can be constructed.

FEATURES

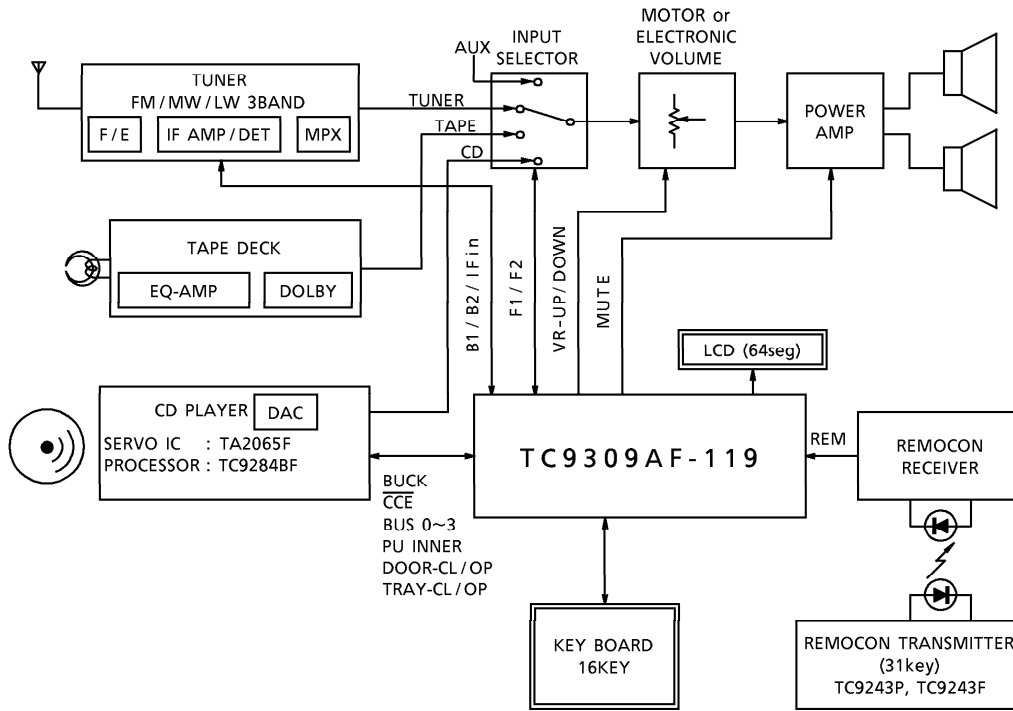
- Receiving band and preset memory

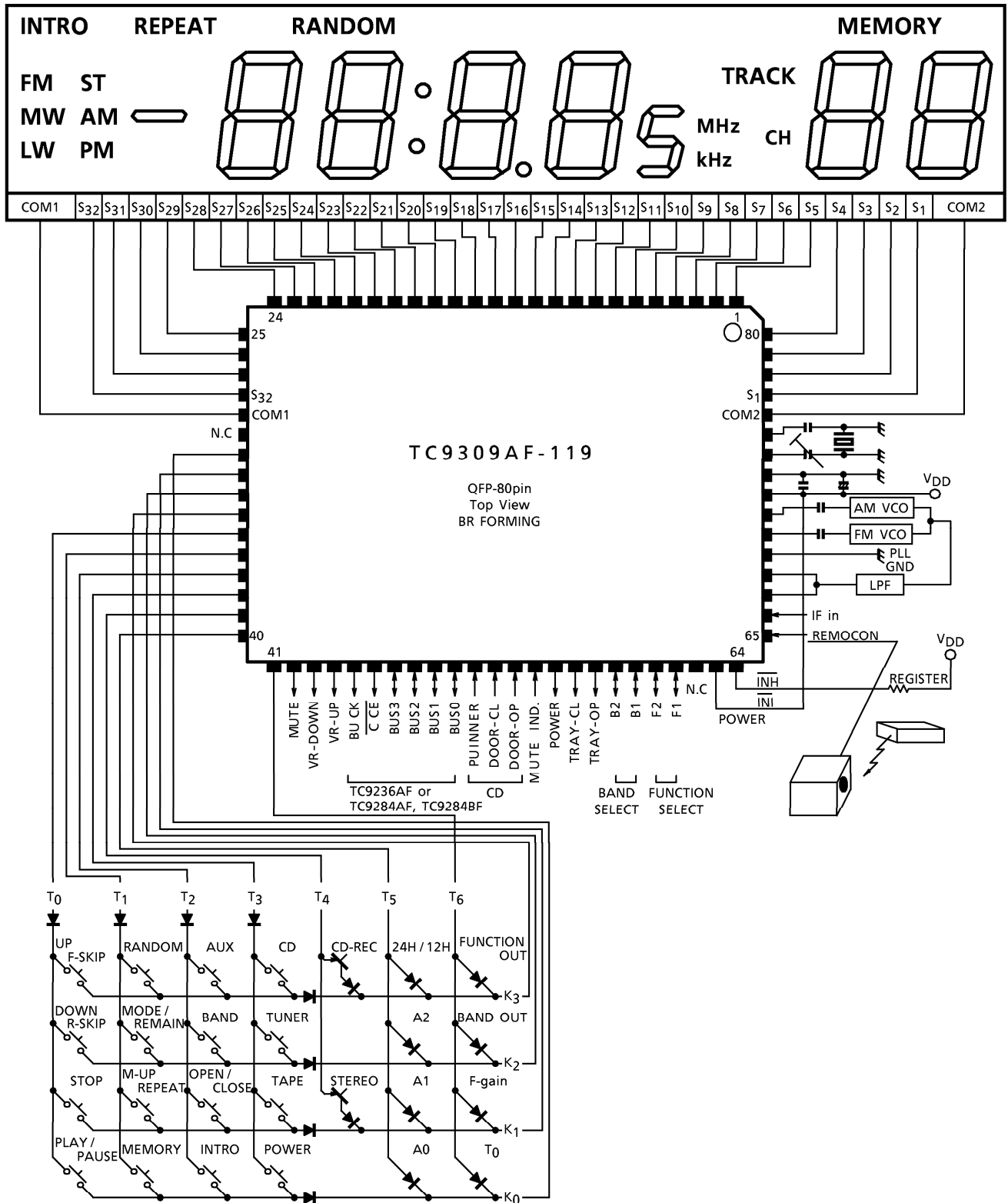
AREA	CODE			BAND	FREQUENCY RANGE [Hz]	STEP [Hz]	FREF [Hz]	IF [Hz]	NOTE
	A2	A1	A0						
EUROPE	0	0	0	FM	87.50~108.00M	50k	50k	+ 10.70M	(*) Except the case that A ₀ , A ₁ , A ₂ = 000, B ₂ INPORT must fixed to "L"
				MW	522~ 1620k	9k	9k	+ 450k	
				LW	150~ 285k	1k	1k		
	0	0	1	FM	87.50~108.00M	50k	50k	+ 10.70M	
AM				522~ 1620k	9k	9k	+ 450k		
USA1	0	1	0	FM	87.5~ 107.9M	200k	50k	+ 10.7M	
				AM	520~ 1710k	10k	10k	+ 450k	
USA2	0	1	1	FM	87.5~ 108.0M	100k	50k	+ 10.7M	
				AM	520~ 1710k	10k	10k	+ 450k	
LATIN AMERICA	1	0	0	FM	87.5~ 108.0M	100k	50k	+ 10.7M	
				AM	520~ 1620k	5k	5k	+ 450k	
AUSTRALIA MIDDLE AND NEAR EAST	1	0	1	FM	87.5~ 108.0M	100k	50k	+ 10.7M	
				AM	531~ 1602k	9k	9k	+ 450k	
SOUTH AFRICA	1	1	1	FM	87.50~108.00M	50k	50k	- 10.7M	
				AM	531~ 1602k	9k	9k	+ 450k	

○ Outline of functions

- Tuning functions and preset memory
 - manual up/down tuning
 - seek up/down tuning
 - scan up tuning
 - IF count (FM = $\pm 10.7\text{MHz}$, MW (AM) = 450kHz)
 - FM : 10 stations, MW (AM) : 10 stations, LW : 5 stations
- Clock functions
 - 12H/24H clock
- CD functions
 - random play
 - intro play
 - repeat play or track repeat play
 - memory play (max 20 preset)
 - CD FF/REW
 - synchronous recording mode
 - tray open/close control
 - indication of CD remain time
 - CD graphic
- Remote control functions
 - mute on/off
 - volume up/down
 - direct selecting of preset memory and track number
- Other functions
 - function change (CD/TUNER/TAPE/AUX)
 - indication of STEREO mark
 - power on/off key
 - mute indicator

BLOCK DIAGRAM





RESTRICTIONS ON PRODUCT USE

000707EBA

- TOSHIBA is continually working to improve the quality and reliability of its products. Nevertheless, semiconductor devices in general can malfunction or fail due to their inherent electrical sensitivity and vulnerability to physical stress. It is the responsibility of the buyer, when utilizing TOSHIBA products, to comply with the standards of safety in making a safe design for the entire system, and to avoid situations in which a malfunction or failure of such TOSHIBA products could cause loss of human life, bodily injury or damage to property. In developing your designs, please ensure that TOSHIBA products are used within specified operating ranges as set forth in the most recent TOSHIBA products specifications. Also, please keep in mind the precautions and conditions set forth in the "Handling Guide for Semiconductor Devices," or "TOSHIBA Semiconductor Reliability Handbook" etc..
- The TOSHIBA products listed in this document are intended for usage in general electronics applications (computer, personal equipment, office equipment, measuring equipment, industrial robotics, domestic appliances, etc.). These TOSHIBA products are neither intended nor warranted for usage in equipment that requires extraordinarily high quality and/or reliability or a malfunction or failure of which may cause loss of human life or bodily injury ("Unintended Usage"). Unintended Usage include atomic energy control instruments, airplane or spaceship instruments, transportation instruments, traffic signal instruments, combustion control instruments, medical instruments, all types of safety devices, etc.. Unintended Usage of TOSHIBA products listed in this document shall be made at the customer's own risk.
- The products described in this document are subject to the foreign exchange and foreign trade laws.
- The information contained herein is presented only as a guide for the applications of our products. No responsibility is assumed by TOSHIBA CORPORATION for any infringements of intellectual property or other rights of the third parties which may result from its use. No license is granted by implication or otherwise under any intellectual property or other rights of TOSHIBA CORPORATION or others.
- The information contained herein is subject to change without notice.

This datasheet has been download from:

www.datasheetcatalog.com

Datasheets for electronics components.