

HITACHI VIDEO MONITOR



VM-1202

A 12 inch monochrome video monitor for CCTV and general purpose video applications.

FEATURES

- Excellent resolution due to wide-band video amplifier.
- Accurate deflection linearity due to special deflection distortion correction design.
- Video bridging allows a single video signal to be looped between monitors.
- Wide use of integrated circuits assure reliability and stability.

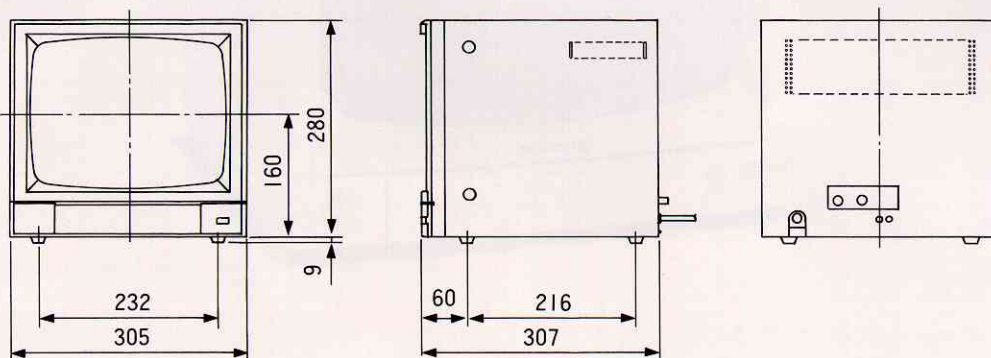
HITACHI VIDEO MONITOR

VM-1202

Key Specifications

Video input:	Composite video signal, 1.0 V _{p-p} , sync negative	Ambient temperature:	-10 to 50°C (14 or 122°F)
Input impedance:	75 Ω or high	Power supply:	E,K: 220-240V AC, 50Hz
Resolution:	Horizontal: Over 700 lines Vertical: Over 300 lines	Power consumption:	27W approx.
Deflection linearity:	2% or better at center (with respect to picture height)	Dimensions:	305(W)×280(H)×307(D)mm (12.0×11.4×12.1 in) (excluding projections)
High voltage:	12kV approx.	Weight:	8.9kg approx. (19.6lb)
Picture tube:	12-inch, 90° deflection, 240XB4A or equivalent		

DIMENSIONS



(Unit : mm)

- Note**
- The products and their specifications herein described are subject to change without notice. When placing an order of the products, please make sure whether the information of this material is the latest.
 - Hitachi Denshi, Ltd. warrants that these products meet the standard warranty conditions of Hitach Denshi, Ltd.

Hitachi Denshi, Ltd. carries out inspection and other quality control of the products within the range required to provide this warranty.

- It is recommended that to maintain your video product or system in good working order you are advised to discuss with the vendor an appropriate maintenance package to meet your requirements.

Specifications are subject to change for improvement without notice.

Hitachi Denshi, Ltd.

Head Office : 1-Banchi Kanda-Inzumi-cho, Chiyoda-ku, Tokyo, 101 Japan
Telephone:03(5821-5311) Fax:03(5821-5394)

Hitachi Denshi America, Ltd.

Head Office : 150 Crossways Park Drive, Woodbury, New York 11797, U.S.A.
Telephone:516(921-7200), Fax:516-496-3718, Telex:510-221-1899

Chicago Office : 450 East Devon Ave., Suite 110 Itasca, IL 60143, U.S.A.
Telephone:(708)250-8050, Fax:(708)250-8054

Los Angeles Office : 371 Van Ness Way, Suite 120 Torrance, California 90501, U.S.A.
Telephone:(310)329-8116, Fax:(310)328-8252

Dallas Office : 2100 West N.W. Highway Suite 1145 Grapevine, TX 75061, U.S.A.
Telephone:(817)488-4528, Fax:(817)488-4714

Atlanta Office : 3039 Armwiler Road, Suite 118 Atlanta, Georgia 30360, U.S.A.
Telephone:(404)242-3836, Fax:(404)242-8538

Parts Center
Hitachi Denshi, Ltd. (Canada)

Head Office : 85 Mellford Drive, Scarborough, Ontario M1B 2G6, Canada
Telephone:(416)299-5900, Fax:(416)299-0450, Telex:552-3324

Eastern Office : 8100-H Trans Canadine St. Laurent, Quebec, H4S 1M5, Canada