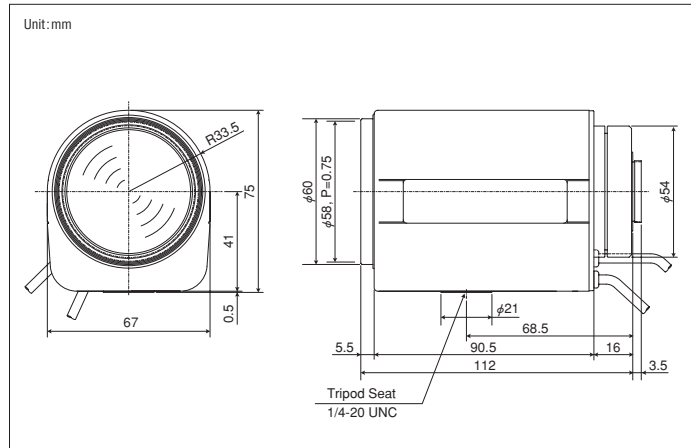


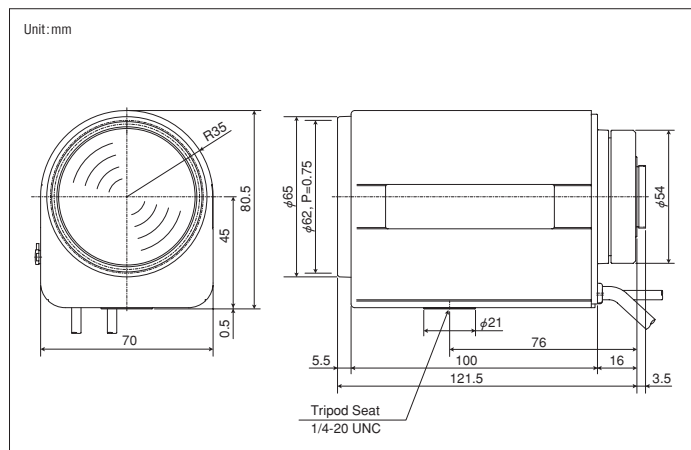
## Motorized Zoom Lens



Basic Specification		
Format Size		1/2
Focal Length		7.5~75mm
Max. Aperture Ratio		1:1.4~1.5
Iris Range		F1.4~360
Mount		CS
Horizontal Angle of View	1/4 format	26.15~2.83°
	1/3 format	34.52~3.75°
	1/2 format	45.05~4.95°
	2/3 format	—
Min. Object Distance		1.8m
Back Focal Length		10.75mm
Filter Size		58mm P=0.75mm
Dimensions		67×75×112mm

Model	HS10ZME (C60700)	
Iris	Auto-Iris (Video & DC Iris) Approx. 1.5 sec (Video Iris) (Close-Open)	
Focus	Motorized Approx. 6.5 sec * (Near-Far)	
Zoom	Motorized Approx. 5.5 sec ** (Wide-Tele)	
Weight	580g	
Remarks	* 6.0 sec for Type 2 ** 5.0 sec for Type 2	

## Motorized Zoom Lens



Basic Specification		
Format Size		1/2
Focal Length		7.5~75mm
Max. Aperture Ratio		1:1.2~1.5
Iris Range		F1.2~512
Mount		C
Horizontal Angle of View	1/4 format	26.45~2.84°
	1/3 format	34.94~3.77°
	1/2 format	45.63~4.99°
	2/3 format	—
Min. Object Distance		1.8m
Back Focal Length		14.52mm
Filter Size		62mm P=0.75mm
Dimensions		70×80.5×121.5mm

Model	H10ZME (C60701)	H10ZME-P (C60702)
Iris	Auto-Iris (Video & DC Iris) Approx. 1.5 sec (Video Iris) (Close-Open)	Auto-Iris (Video & DC Iris) Approx. 1.5 sec (Video Iris) (Close-Open)
Focus	Motorized Approx. 5.5 sec * (Near-Far)	Motorized with Pre-Set Approx. 5.5 sec * (Near-Far)
Zoom	Motorized Approx. 5.5 sec * (Wide-Tele)	Motorized with Pre-Set Approx. 5.5 sec * (Wide-Tele)
Weight	715g	740g
Remarks	* 6.0 sec for Type 1&3	Manual Override (only Video Iris) H10ZME-F (C60704) * 6.0 sec for Type 1&3

Motorized Zoom Lens