

# DATA SHEET

## **TDA8927**

**Power stage 2 × 80 W class-D  
audio amplifier**

Objective specification  
File under Integrated Circuits, IC01

2001 Dec 11

# Power stage 2 × 80 W class-D audio amplifier

## TDA8927

<b>CONTENTS</b>	15	<b>TEST AND APPLICATION INFORMATION</b>
1 FEATURES	15.1	BTL application
2 APPLICATIONS	15.2	Remarks
3 GENERAL DESCRIPTION	15.3	Output power
4 QUICK REFERENCE DATA	15.4	Reference designs
5 ORDERING INFORMATION	15.5	Reference design bill of material
6 BLOCK DIAGRAMS	15.6	Curves measured in reference design
7 PINNING INFORMATION	16	<b>PACKAGE OUTLINES</b>
8 FUNCTIONAL DESCRIPTION	17	<b>SOLDERING</b>
8.1 Power stage	17.1	Introduction
8.2 Protections	17.2	Through-hole mount packages
8.2.1 Overtemperature	17.2.1	Soldering by dipping or by solder wave
8.2.2 Short-circuit across the loudspeaker terminals	17.2.2	Manual soldering
8.3 BTL operation	17.3	Surface mount packages
9 LIMITING VALUES	17.3.1	Reflow soldering
10 THERMAL CHARACTERISTICS	17.3.2	Wave soldering
11 QUALITY SPECIFICATION	17.3.3	Manual soldering
12 DC CHARACTERISTICS	17.4	Suitability of IC packages for wave, reflow and dipping soldering methods
13 AC CHARACTERISTICS	18	<b>DATA SHEET STATUS</b>
14 SWITCHING CHARACTERISTICS	19	<b>DEFINITIONS</b>
14.1 Duty factor	20	<b>DISCLAIMERS</b>

# Power stage 2 × 80 W class-D audio amplifier

TDA8927

## 1 FEATURES

- High efficiency (>94%)
- Operating voltage from  $\pm 15$  to  $\pm 30$  V
- Very low quiescent current
- High output power
- Short-circuit proof across the load, only in combination with controller TDA8929T
- Diagnostic output
- Usable as a stereo Single-Ended (SE) amplifier or as a mono amplifier in Bridge-Tied Load (BTL)
- Electrostatic discharge protection (pin to pin)
- Thermally protected, only in combination with controller TDA8929T.

## 2 APPLICATIONS

- Television sets
- Home-sound sets

- Multimedia systems
- All mains fed audio systems
- Car audio (boosters).

## 3 GENERAL DESCRIPTION

The TDA8927 is the switching power stage of a two-chip set for a high efficiency class-D audio power amplifier system. The system is split into two chips:

- TDA8927J/ST/TH; a digital power stage in a DBS17P, RDBS17P or HSOP24 power package
- TDA8929T; the analog controller chip in a SO24 package.

With this chip set a compact 2 × 80 W audio amplifier system can be built, operating with high efficiency and very low dissipation. No heatsink is required, or depending on supply voltage and load, a very small one. The system operates over a wide supply voltage range from  $\pm 15$  up to  $\pm 30$  V and consumes a very low quiescent current.

## 4 QUICK REFERENCE DATA

SYMBOL	PARAMETER	CONDITIONS	MIN.	TYP.	MAX.	UNIT
<b>General; <math>V_P = \pm 25</math> V</b>						
$V_P$	supply voltage		$\pm 15$	$\pm 25$	$\pm 30$	V
$I_{q(\text{tot})}$	total quiescent current	no load connected	–	35	45	mA
$\eta$	efficiency	$P_o = 30$ W	–	94	–	%
<b>Stereo single-ended configuration</b>						
$P_o$	output power	$R_L = 4 \Omega$ ; THD = 10%; $V_P = \pm 25$ V	60	65	–	W
		$R_L = 4 \Omega$ ; THD = 10%; $V_P = \pm 27$ V	74	80	–	W
<b>Mono bridge-tied load configuration</b>						
$P_o$	output power	$R_L = 4 \Omega$ ; THD = 10%; $V_P = \pm 17$ V	90	110	–	W
		$R_L = 8 \Omega$ ; THD = 10%; $V_P = \pm 25$ V	120	150	–	W

## 5 ORDERING INFORMATION

TYPE NUMBER	PACKAGE		
	NAME	DESCRIPTION	VERSION
TDA8927J	DBS17P	plastic DIL-bent-SIL power package; 17 leads (lead length 12 mm)	SOT243-1
TDA8927ST	RDBS17P	plastic rectangular-DIL-bent-SIL power package; 17 leads (row spacing 2.54 mm)	SOT577-1
TDA8927TH	HSOP24	plastic, heatsink small outline package; 24 leads; low stand-off height	SOT566-2

Power stage 2 × 80 W class-D  
audio amplifier

TDA8927

6 BLOCK DIAGRAMS

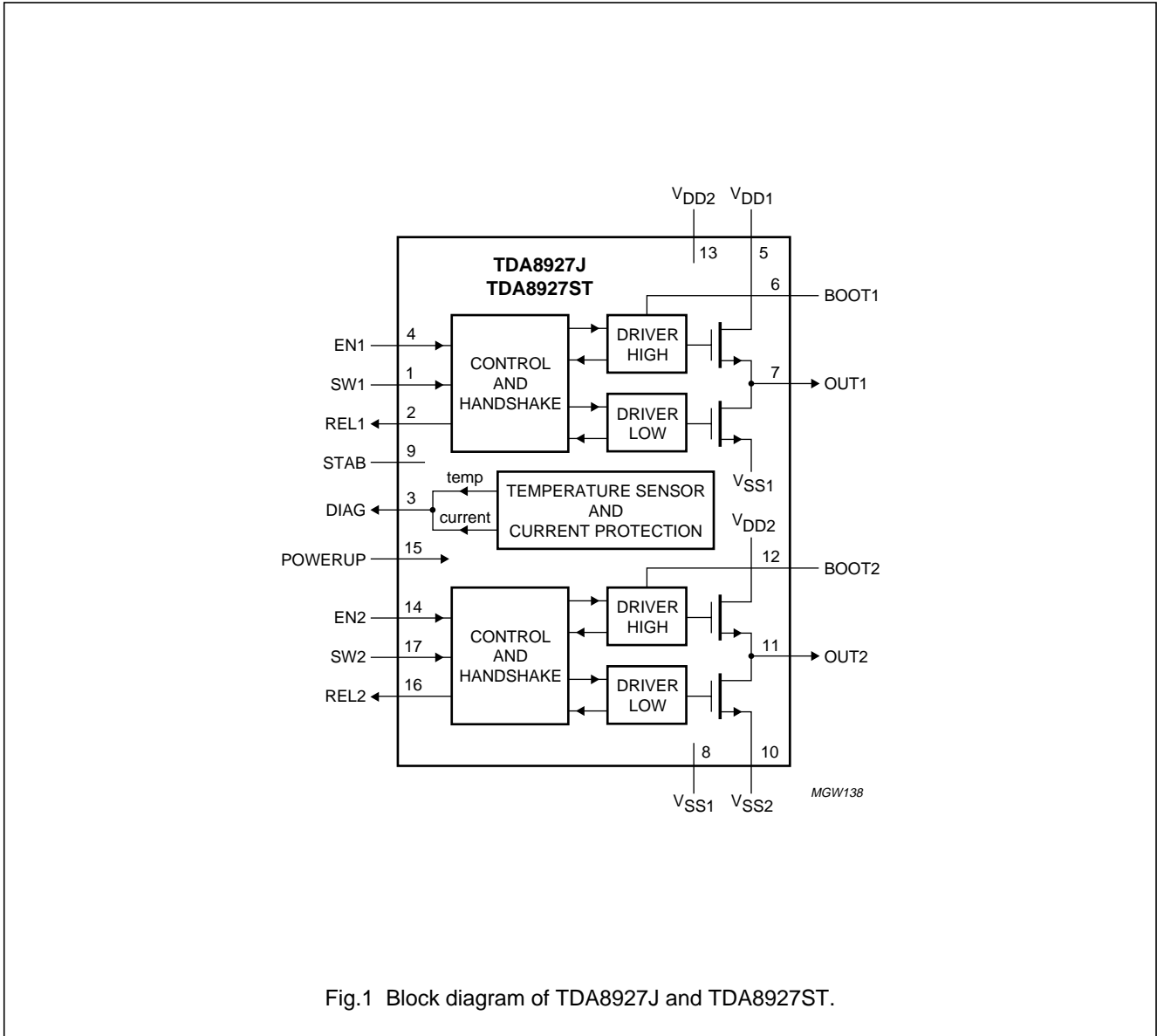


Fig.1 Block diagram of TDA8927J and TDA8927ST.

Power stage 2 × 80 W class-D  
audio amplifier

TDA8927

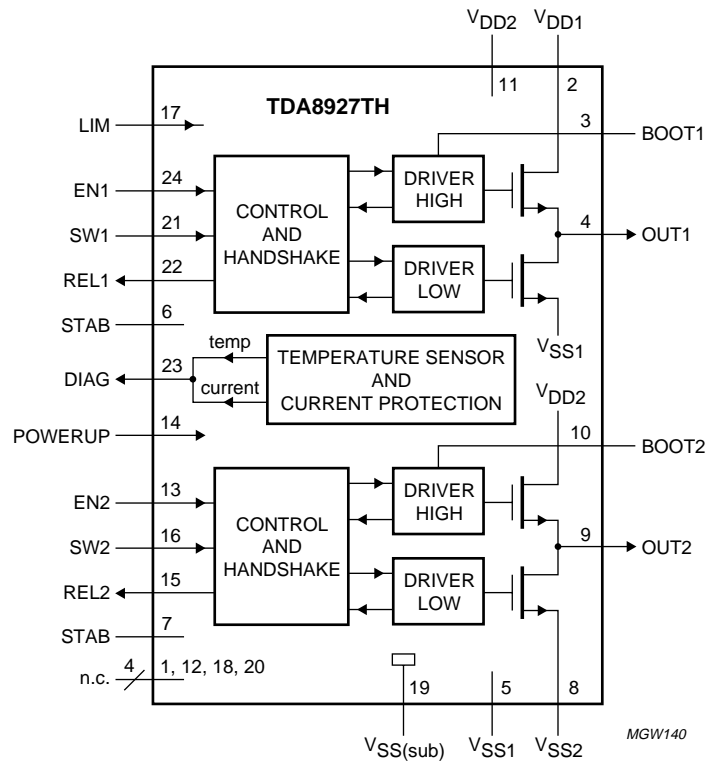


Fig.2 Block diagram of TDA8927TH.

# Power stage 2 × 80 W class-D audio amplifier

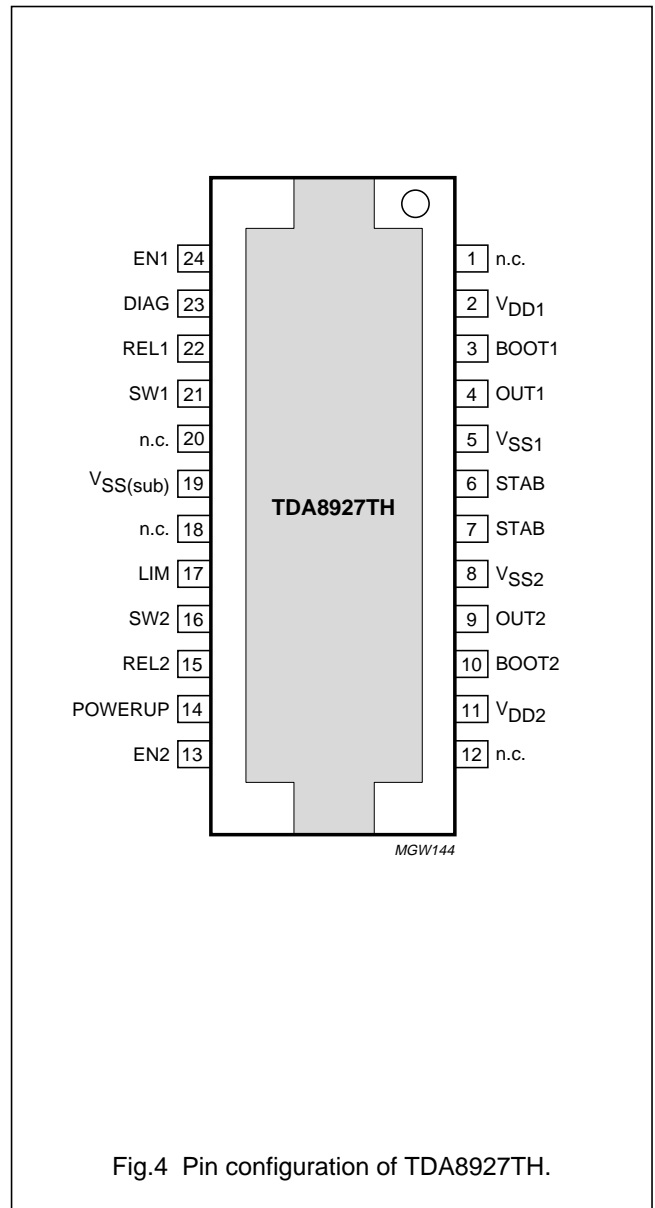
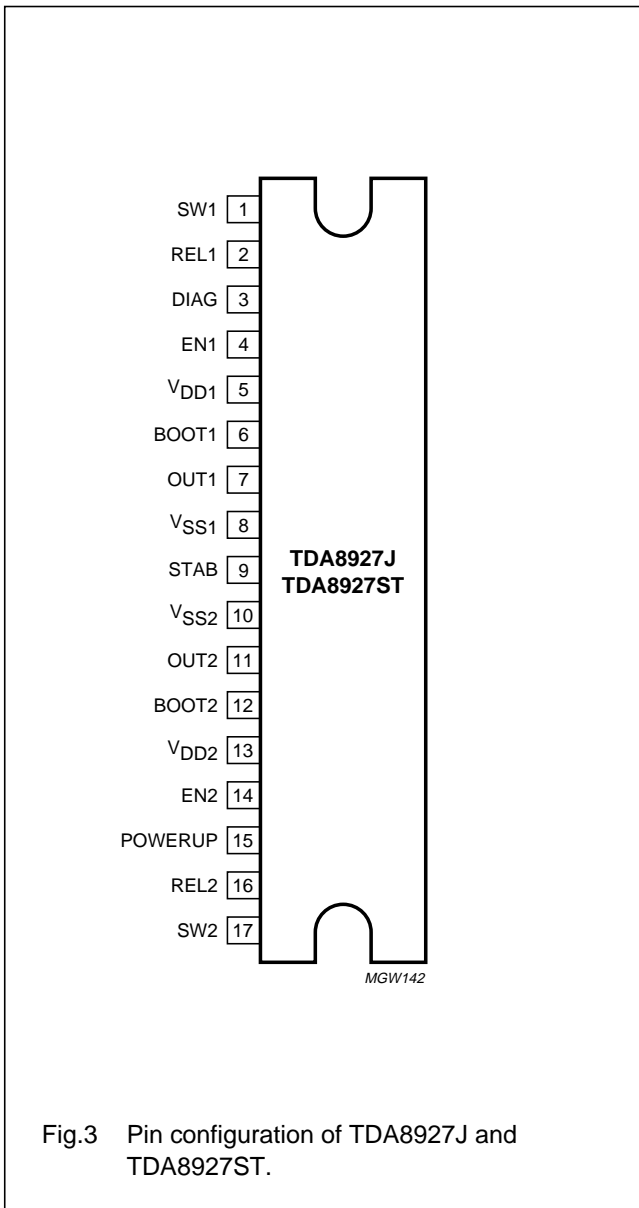
TDA8927

## 7 PINNING INFORMATION

SYMBOL	PIN			DESCRIPTION
	TDA8927J	TDA8927ST	TDA8927TH	
SW1	1	1	21	digital switch input channel 1
n.c.	–	–	1	not connected
REL1	2	2	22	digital control output channel 1
DIAG	3	3	23	digital open-drain output for overtemperature and overcurrent report
EN1	4	4	24	digital enable input for channel 1
V <sub>DD1</sub>	5	5	2	positive power supply channel 1
BOOT1	6	6	3	bootstrap capacitor channel 1
STAB	–	–	6	decoupling internal stabilizer for logic supply
OUT1	7	7	4	PWM output channel 1
STAB	–	–	7	decoupling internal stabilizer for logic supply
V <sub>SS1</sub>	8	8	5	negative power supply channel 1
STAB	9	9	–	decoupling internal stabilizer for logic supply
V <sub>SS2</sub>	10	10	8	negative power supply channel 2
OUT2	11	11	9	PWM output channel 2
BOOT2	12	12	10	bootstrap capacitor channel 2
n.c.	–	–	12	not connected
V <sub>DD2</sub>	13	13	11	positive power supply channel 2
EN2	14	14	13	digital enable input for channel 2
POWERUP	15	15	14	enable input for switching-on internal reference sources
REL2	16	16	15	digital control output channel 2
SW2	17	17	16	digital switch input channel 2
LIM	–	–	17	current input for setting maximum load current limit
n.c.	–	–	18	not connected
V <sub>SS(sub)</sub>	–	–	19	negative supply (substrate)
n.c.	–	–	20	not connected

Power stage 2 × 80 W class-D  
audio amplifier

TDA8927



## Power stage 2 × 80 W class-D audio amplifier

TDA8927

### 8 FUNCTIONAL DESCRIPTION

The combination of the TDA8927J and the TDA8929T produces a two-channel audio power amplifier system using the class-D technology (see Fig.5). In the TDA8929T controller device the analog audio input signal is converted into a digital Pulse Width Modulation (PWM) signal.

The power stage TDA8927 is used for driving the low-pass filter and the loudspeaker load. It performs a level shift from the low-power digital PWM signal, at logic levels, to a high-power PWM signal that switches between the main supply lines. A second-order low-pass filter converts the PWM signal into an analog audio signal across the loudspeaker.

See the specification of the TDA8929T for a description of the controller.

#### 8.1 Power stage

The power stage contains the high-power DMOS switches, the drivers, timing and handshaking between the power switches and some control logic. For protection, a temperature sensor and a maximum current detector are built-in on the chip.

For interfacing with the controller chip the following connections are used:

- Switch (pins SW1 and SW2): digital inputs; switching from  $V_{SS}$  to  $V_{SS} + 12$  V and driving the power DMOS switches
- Release (pins REL1 and REL2): digital outputs to indicate switching from  $V_{SS}$  to  $V_{SS} + 12$  V, follows pins SW1 and SW2 with a small delay
- Enable (pins EN1 and EN2): digital inputs; at a level of  $V_{SS}$  the power DMOS switches are open and the PWM output is floating; at a level of  $V_{SS} + 12$  V the power stage is operational and controlled by the switch pin if pin POWERUP is at  $V_{SS} + 12$  V
- Power-up (pin POWERUP): must be connected to a continuous supply voltage of at least  $V_{SS} + 5$  V with respect to  $V_{SS}$
- Diagnostics (pin DIAG): digital open-drain output; pulled to  $V_{SS}$  if temperature or maximum current is exceeded.

### 8.2 Protections

Temperature and short-circuit protection sensors are included in the TDA8927 power stage. These protections are only operational in combination with the TDA8929T. In the event that the maximum current or maximum temperature is exceeded the diagnostic output is activated. The controller has to take appropriate measures by shutting down the system.

#### 8.2.1 OVERTEMPERATURE

If the junction temperature ( $T_j$ ) exceeds 150 °C, then pin DIAG becomes LOW. The diagnostic pin is released if the temperature is dropped to approximately 130 °C, so there is a hysteresis of approximately 20 °C.

#### 8.2.2 SHORT-CIRCUIT ACROSS THE LOUDSPEAKER TERMINALS

When the loudspeaker terminals are short-circuited it will be detected by the current protection. If the output current exceeds the maximum output current of 7.5 A, then pin DIAG becomes LOW. The controller should shut down the system to prevent damage. Using the TDA8929T the system is shut down within 1 μs, and after 220 ms, it will attempt to restart the system again. During this time the dissipation is very low, so the average dissipation during a short-circuit is practically zero.

For the TDA8927TH the limit value can be externally adjusted using a resistor. For the maximum value of 7.5 A pin LIM should be connected to  $V_{SS}$ . When a resistor  $R_{ext}$  is connected between pin LIM and  $V_{SS}$  the maximum output current can be set at a lower value, using:

$$I_{O(max)} = \frac{2.1 \times 10^5}{R_{ext} + 28 \text{ k}\Omega}$$

Example 1: with  $R_{ext} = 27 \text{ k}\Omega$  the current is limited at 3.8 A.

Example 2: with  $R_{ext} = 0 \Omega$  the current is limited at 7.5 A.

In the TDA8927J and the TDA8927ST pin LIM is internally connected to  $V_{SS}$ , so  $I_{O(max)} = 7.5 \text{ A}$ .



Power stage 2 × 80 W class-D  
audio amplifier

TDA8927

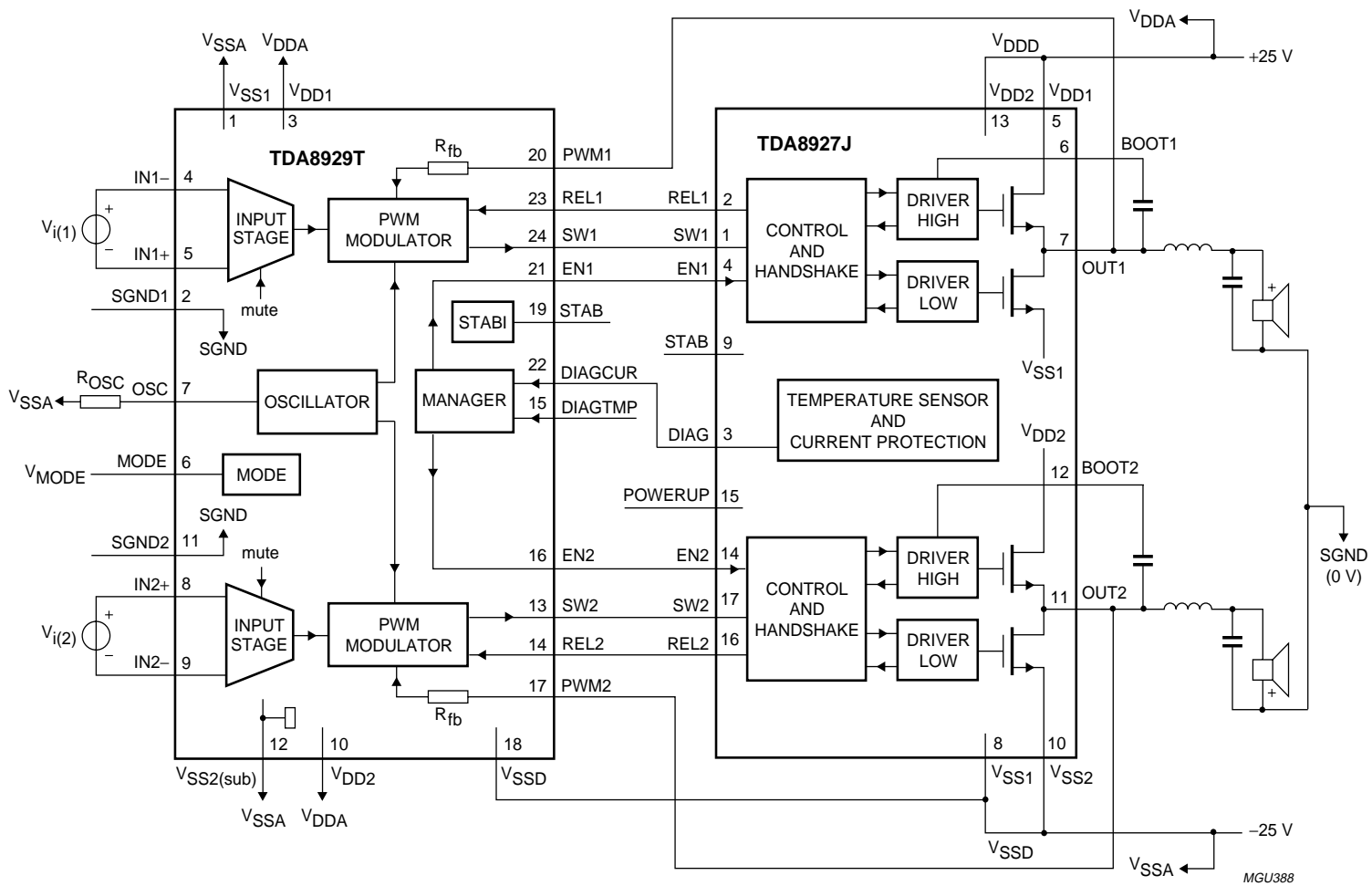


Fig.5 Typical application schematic of the class-D system using TDA8929T and the TDA8927J.

# Power stage 2 × 80 W class-D audio amplifier

TDA8927

### 8.3 BTL operation

BTL operation can be achieved by driving the audio input channels of the controller in the opposite phase and by connecting the loudspeaker with a BTL output filter between the two PWM output pins of the power stage (see Fig.6).

In this way the system operates as a mono BTL amplifier and with the same loudspeaker impedance a four times higher output power can be obtained.

For more information see Chapter 15.

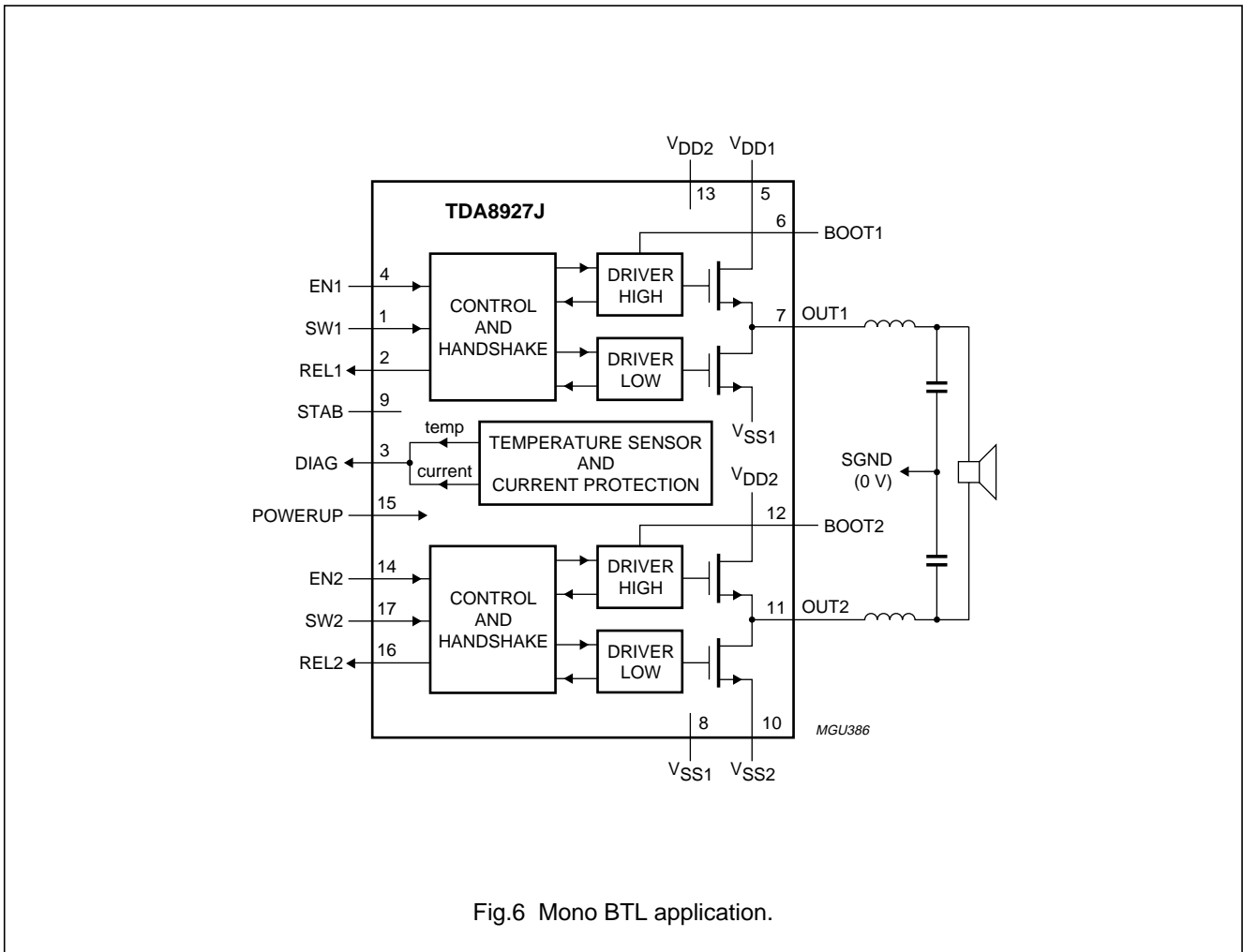


Fig.6 Mono BTL application.

## Power stage 2 × 80 W class-D audio amplifier

TDA8927

### 9 LIMITING VALUES

In accordance with the Absolute Maximum Rate System (IEC 60134).

SYMBOL	PARAMETER	CONDITIONS	MIN.	MAX.	UNIT
$V_P$	supply voltage		–	±30	V
$V_{P(sc)}$	supply voltage for short-circuits across the load		–	±30	V
$I_{ORM}$	repetitive peak current in output pins		–	7.5	A
$T_{stg}$	storage temperature		–55	+150	°C
$T_{amb}$	ambient temperature		–40	+85	°C
$T_{vj}$	virtual junction temperature		–	150	°C
$V_{es(HBM)}$	electrostatic discharge voltage (HBM)	note 1 all pins with respect to $V_{DD}$ (class A) all pins with respect to $V_{SS}$ (class A1) all pins with respect to each other (class A1)	–500 –1500 –1500	+500 +1500 +1500	V V V
$V_{es(MM)}$	electrostatic discharge voltage (MM)	note 2 all pins with respect to $V_{DD}$ (class B) all pins with respect to $V_{SS}$ (class B) all pins with respect to each other (class B)	–250 –250 –250	+250 +250 +250	V V V

#### Notes

- Human Body Model (HBM);  $R_s = 1500 \Omega$ ;  $C = 100 \text{ pF}$ .
- Machine Model (MM);  $R_s = 10 \Omega$ ;  $C = 200 \text{ pF}$ ;  $L = 0.75 \mu\text{H}$ .

### 10 THERMAL CHARACTERISTICS

SYMBOL	PARAMETER	CONDITIONS	VALUE	UNIT
$R_{th(j-a)}$	thermal resistance from junction to ambient TDA8927J TDA8927ST TDA8927TH	in free air	40 40 40	K/W K/W K/W
$R_{th(j-c)}$	thermal resistance from junction to case TDA8927J TDA8927ST TDA8927TH	in free air	≈1.0 ≈1.0 1	K/W K/W K/W

### 11 QUALITY SPECIFICATION

In accordance with "SNW-FQ611-part D" if this type is used as an audio amplifier.

## Power stage 2 × 80 W class-D audio amplifier

TDA8927

### 12 DC CHARACTERISTICS

$V_P = \pm 25$  V;  $T_{amb} = 25$  °C; measured in test diagram of Fig.8; unless otherwise specified.

SYMBOL	PARAMETER	CONDITIONS	MIN.	TYP.	MAX.	UNIT
<b>Supply</b>						
$V_P$	supply voltage	note 1	±15	±25	±30	V
$I_{q(tot)}$	total quiescent current	no load connected	–	35	45	mA
		outputs floating	–	5	10	mA
<b>Internal stabilizer logic supply (pin STAB or pins STAB1 and STAB2)</b>						
$V_{O(STAB)}$	stabilizer output voltage		11	13	15	V
<b>Switch inputs (pins SW1 and SW2)</b>						
$V_{IH}$	HIGH-level input voltage	referenced to $V_{SS}$	10	–	$V_{STAB}$	V
$V_{IL}$	LOW-level input voltage	referenced to $V_{SS}$	0	–	2	V
<b>Control outputs (pins REL1 and REL2)</b>						
$V_{OH}$	HIGH-level output voltage	referenced to $V_{SS}$	10	–	$V_{STAB}$	V
$V_{OL}$	LOW-level output voltage	referenced to $V_{SS}$	0	–	2	V
<b>Diagnostic output (pin DIAG, open-drain)</b>						
$V_{OL}$	LOW-level output voltage	$I_{DIAG} = 1$ mA; note 2	0	–	1.0	V
$I_{LO}$	leakage output current	no error condition	–	–	50	μA
<b>Enable inputs (pins EN1 and EN2)</b>						
$V_{IH}$	HIGH-level input voltage	referenced to $V_{SS}$	–	9	$V_{STAB}$	V
$V_{IL}$	LOW-level input voltage	referenced to $V_{SS}$	0	5	–	V
$V_{EN(hys)}$	hysteresis voltage		–	4	–	V
$I_{I(EN)}$	input current		–	–	300	μA
<b>Switching-on input (pin POWERUP)</b>						
$V_{POWERUP}$	operating voltage	referenced to $V_{SS}$	5	–	12	V
$I_{I(POWERUP)}$	input current	$V_{POWERUP} = 12$ V	–	100	170	μA
<b>Temperature protection</b>						
$T_{diag}$	temperature activating diagnostic	$V_{DIAG} = V_{DIAG(LOW)}$	150	–	–	°C
$T_{hys}$	hysteresis on temperature diagnostic	$V_{DIAG} = V_{DIAG(LOW)}$	–	20	–	°C

#### Notes

1. The circuit is DC adjusted at  $V_P = \pm 15$  to  $\pm 30$  V.
2. Temperature sensor or maximum current sensor activated.

## Power stage 2 × 80 W class-D audio amplifier

TDA8927

### 13 AC CHARACTERISTICS

SYMBOL	PARAMETER	CONDITIONS	MIN.	TYP.	MAX.	UNIT
<b>Single-ended application; note 1</b>						
P <sub>o</sub>	output power	R <sub>L</sub> = 4 Ω; THD = 0.5%; V <sub>P</sub> = ±25 V	50 <sup>(2)</sup>	55	–	W
		R <sub>L</sub> = 4 Ω; THD = 10%; V <sub>P</sub> = ±25 V	60 <sup>(2)</sup>	65	–	W
		R <sub>L</sub> = 4 Ω; THD = 0.5%; V <sub>P</sub> = ±27 V	60 <sup>(2)</sup>	65	–	W
		R <sub>L</sub> = 4 Ω; THD = 10%; V <sub>P</sub> = ±27 V	74 <sup>(2)</sup>	80	–	W
THD	total harmonic distortion	P <sub>o</sub> = 1 W; note 3				
		f <sub>i</sub> = 1 kHz	–	0.01	0.05	%
		f <sub>i</sub> = 10 kHz	–	0.1	–	%
G <sub>V(cl)</sub>	closed-loop voltage gain		29	30	31	dB
η	efficiency	P <sub>o</sub> = 30 W; f <sub>i</sub> = 1 kHz; note 4	–	94	–	%
<b>Mono BTL application; note 5</b>						
P <sub>o</sub>	output power	R <sub>L</sub> = 8 Ω; THD = 0.5%; V <sub>P</sub> = ±25 V	100 <sup>(2)</sup>	112	–	W
		R <sub>L</sub> = 8 Ω; THD = 10%; V <sub>P</sub> = ±25 V	128 <sup>(2)</sup>	140	–	W
		R <sub>L</sub> = 4 Ω; THD = 0.5%; V <sub>P</sub> = ±17 V	80 <sup>(2)</sup>	87	–	W
		R <sub>L</sub> = 4 Ω; THD = 10%; V <sub>P</sub> = ±17 V	100 <sup>(2)</sup>	110	–	W
THD	total harmonic distortion	P <sub>o</sub> = 1 W; note 3				
		f <sub>i</sub> = 1 kHz	–	0.01	0.05	%
		f <sub>i</sub> = 10 kHz	–	0.1	–	%
G <sub>V(cl)</sub>	closed loop voltage gain		35	36	37	dB
η	efficiency	P <sub>o</sub> = 30 W; f <sub>i</sub> = 1 kHz; note 4	–	94	–	%

#### Notes

- V<sub>P</sub> = ±25 V; R<sub>L</sub> = 4 Ω; f<sub>i</sub> = 1 kHz; T<sub>amb</sub> = 25 °C; measured in reference design in Figs 9 and 11; unless otherwise specified.
- Indirectly measured; based on R<sub>ds(on)</sub> measurement.
- Total Harmonic Distortion (THD) is measured in a bandwidth of 22 Hz to 22 kHz. When distortion is measured using a low-order low-pass filter a significantly higher value will be found, due to the switching frequency outside the audio band.
- Efficiency for power stage; output power measured across the loudspeaker load.
- V<sub>P</sub> = ±25 V; R<sub>L</sub> = 8 Ω; f<sub>i</sub> = 1 kHz; T<sub>amb</sub> = 25 °C; measured in reference design in Figs 9 and 11; unless otherwise specified.

## Power stage 2 × 80 W class-D audio amplifier

TDA8927

### 14 SWITCHING CHARACTERISTICS

$V_P = \pm 25$  V;  $T_{amb} = 25$  °C; measured in Fig.8; unless otherwise specified.

SYMBOL	PARAMETER	CONDITIONS	MIN.	TYP.	MAX.	UNIT
<b>PWM outputs (pins OUT1 and OUT2); see Fig.7</b>						
$t_r$	rise time		–	30	–	ns
$t_f$	fall time		–	30	–	ns
$t_{blank}$	blanking time		–	70	–	ns
$t_{PD}$	propagation delay	from pin SW to pin PWM	–	20	–	ns
$t_{W(min)}$	minimum pulse width	note 1	–	220	270	ns
$R_{ds(on)}$	on-resistance of the output transistors		–	0.2	0.3	Ω

#### Note

- When used in combination with the TDA8929T controller, the effective minimum pulse width during clipping is  $0.5t_{W(min)}$ .

#### 14.1 Duty factor

For the practical useable minimum and maximum duty factor ( $\delta$ ) which determines the maximum output power:

$$\frac{t_{W(min)} \times f_{osc}}{2} \times 100\% < \delta < \left(1 - \frac{t_{W(min)} \times f_{osc}}{2}\right) \times 100\%$$

Using the typical values:  $3.5\% < \delta < 96.5\%$ .

Power stage 2 × 80 W class-D  
audio amplifier

TDA8927

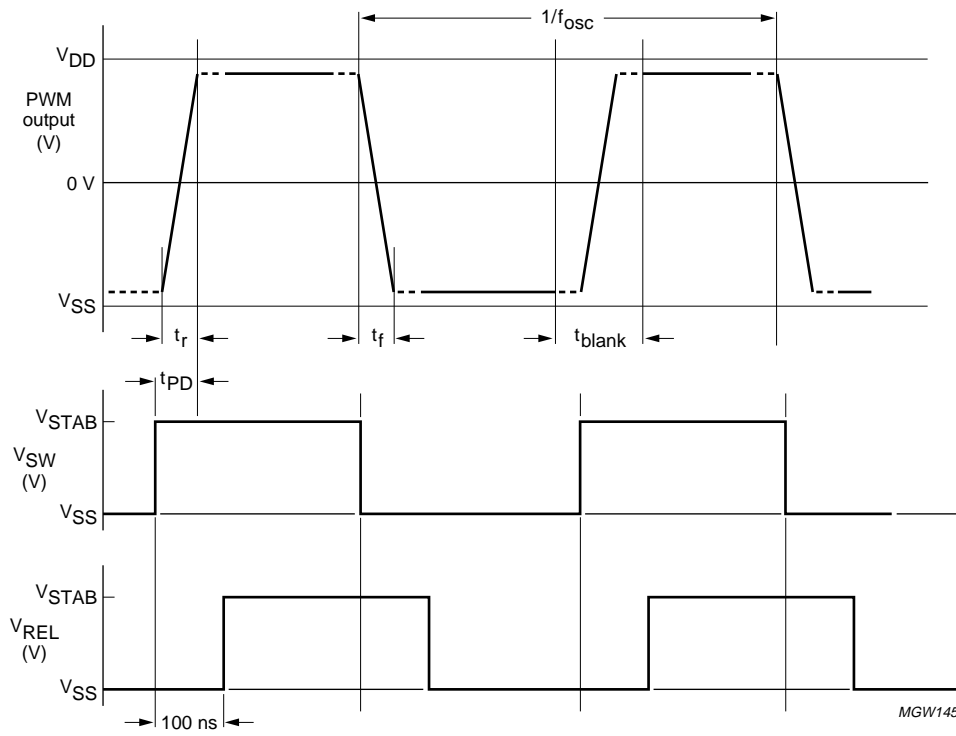


Fig.7 Timing diagram PWM output, switch and release signals.

Power stage 2 × 80 W class-D  
audio amplifier

TDA8927

15 TEST AND APPLICATION INFORMATION

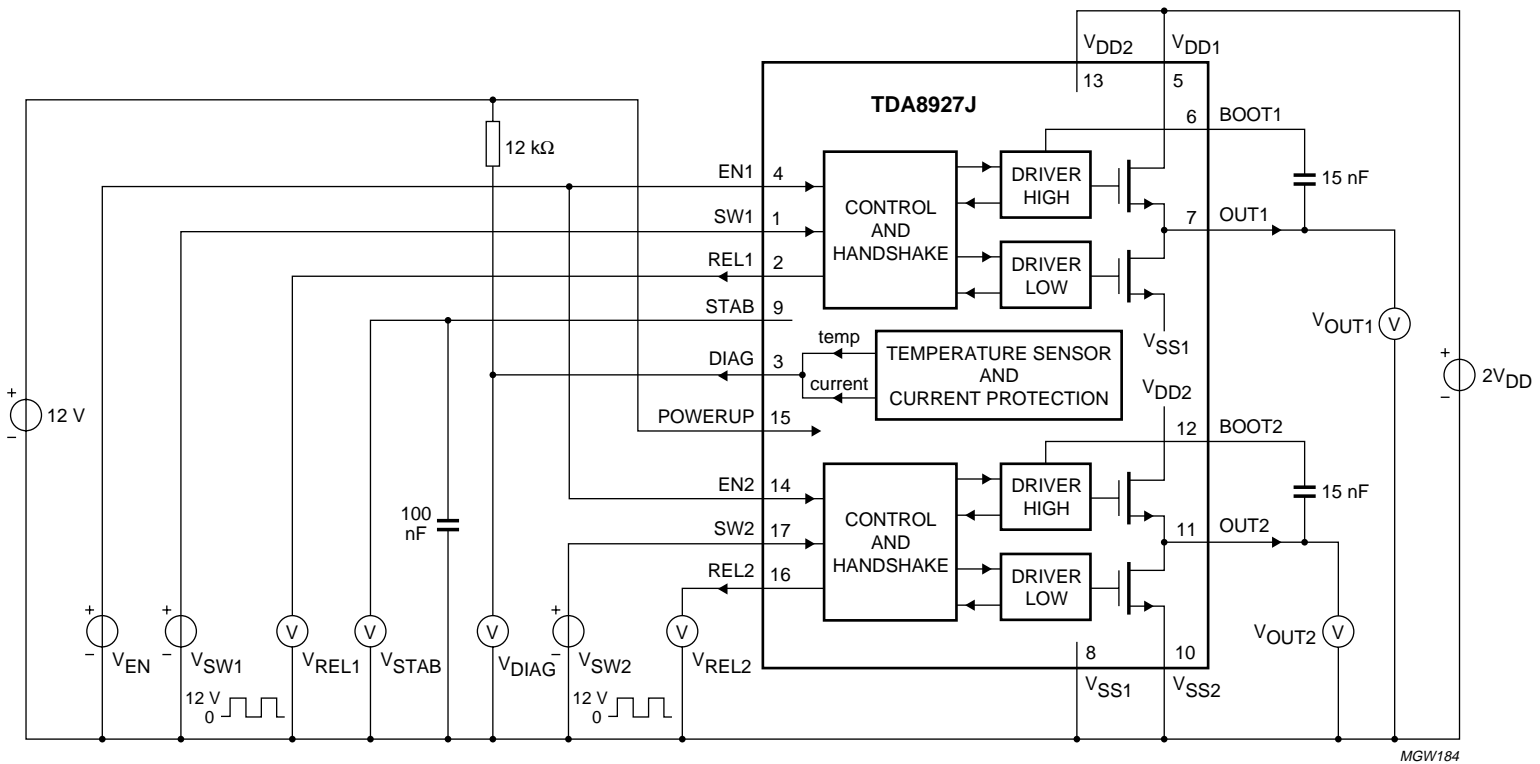


Fig.8 Test diagram.



## Power stage 2 × 80 W class-D audio amplifier

TDA8927

### 15.1 BTL application

When using the system in a mono BTL application (for more output power), the inputs of both channels of the PWM modulator must be connected in parallel; the phase of one of the inputs must be inverted. In principle the loudspeaker can be connected between the outputs of the two single-ended demodulation filters.

### 15.2 Remarks

The case of the package of the TDA8927J/ST and the heatsink of the TDA8927TH are internally connected to  $V_{SS}$ .

### 15.3 Output power

The output power in single-ended applications can be estimated using the formulae:

$$P_{O(1\%)} = \frac{\left[ \frac{R_L}{(R_L + R_{ds(on)} + R_s)} \times V_P \times (1 - t_{W(min)} \times f_{osc}) \right]^2}{2 \times R_L}$$

The maximum current  $I_{O(max)} = \frac{[V_P \times (1 - t_{W(min)} \times f_{osc})]}{R_L + R_{ds(on)} + R_s}$  should not exceed 7.5 A.

The output power in BTL applications can be estimated using the formulae:

$$P_{O(1\%)} = \frac{\left[ \frac{R_L}{R_L + 2 \times (R_{ds(on)} + R_s)} \times 2V_P \times (1 - t_{W(min)} \times f_{osc}) \right]^2}{2 \times R_L}$$

The maximum current  $I_{O(max)} = \frac{[2V_P \times (1 - t_{W(min)} \times f_{osc})]}{R_L + 2 \times (R_{ds(on)} + R_s)}$  should not exceed 7.5 A.

Where:

$R_L$  = load impedance

$R_s$  = series resistance of filter coil

$P_{O(1\%)}$  = output power just at clipping

The output power at THD = 10%:  $P_{O(10\%)} = 1.25 \times P_{O(1\%)}$ .

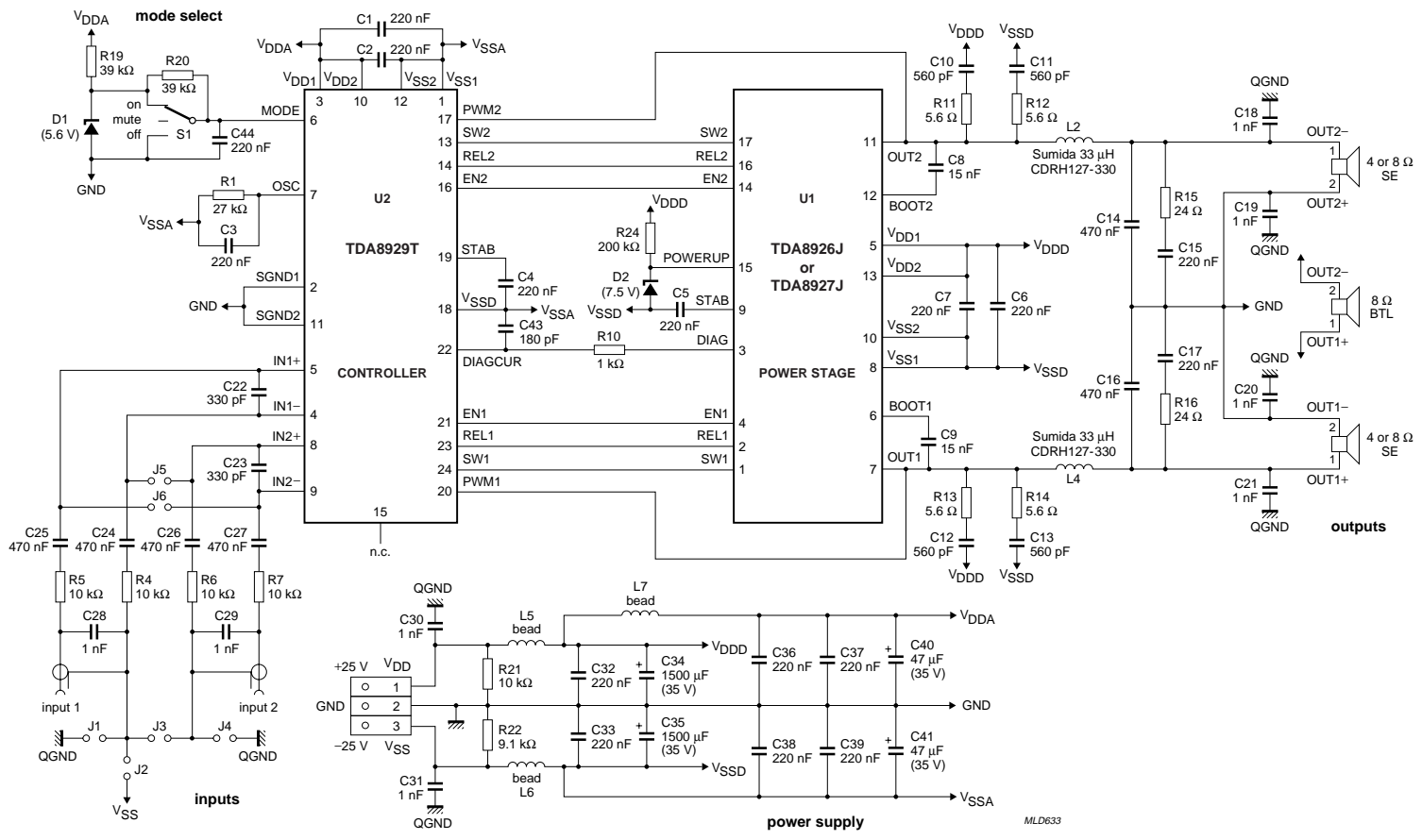
### 15.4 Reference designs

The reference design for a two-chip class-D audio amplifier for TDA8926J or TDA8927J and TDA8929T is shown in Fig.9. The Printed-Circuit Board (PCB) layout is shown in Fig.10. The bill of materials is given in Table 1.

The reference design for a two-chip class-D audio amplifier for TDA8926TH or TDA8927TH and TDA8929T is shown in Fig.11. The PCB layout is shown in Fig.12.

Power stage 2 × 80 W class-D  
audio amplifier

TDA8927



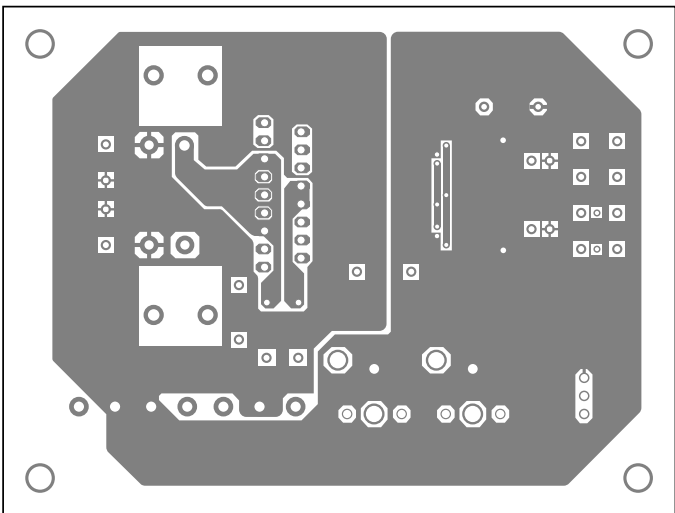
R21 and R22 are only necessary in BTL applications with asymmetrical supply.  
 BTL: remove R6, R7, C23, C26 and C27 and close J5 and J6.  
 C22 and C23 influence the low-pass frequency response and should be tuned with the real load (loudspeaker).  
 Inputs floating or inputs referenced to QGND (close J1 and J4) or referenced to VSS (close J2 and J3) for an input signal ground reference.

Fig.9 Two-chip class-D audio amplifier application diagram for TDA8926J or TDA8927J and TDA8929T.

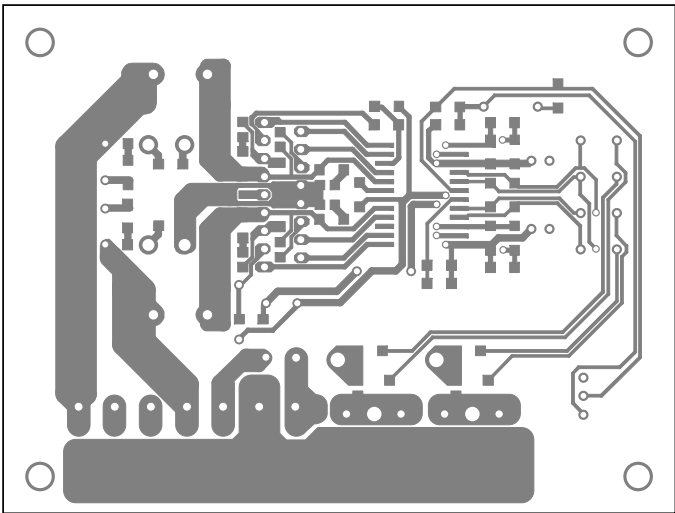
MLD633

# Power stage 2 × 80 W class-D audio amplifier

TDA8927

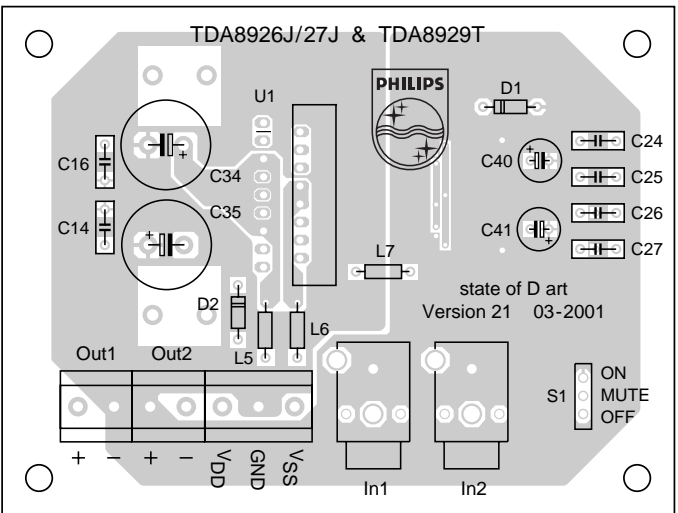


Copper top, top view

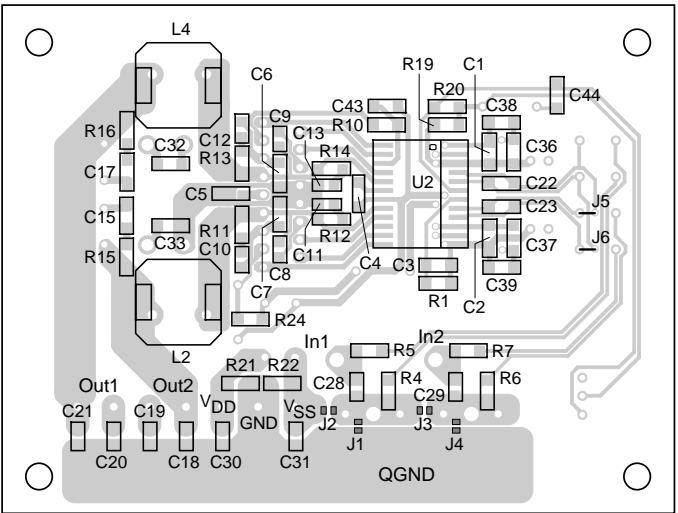


Copper bottom, top view

MLD634



Silk screen top, top view

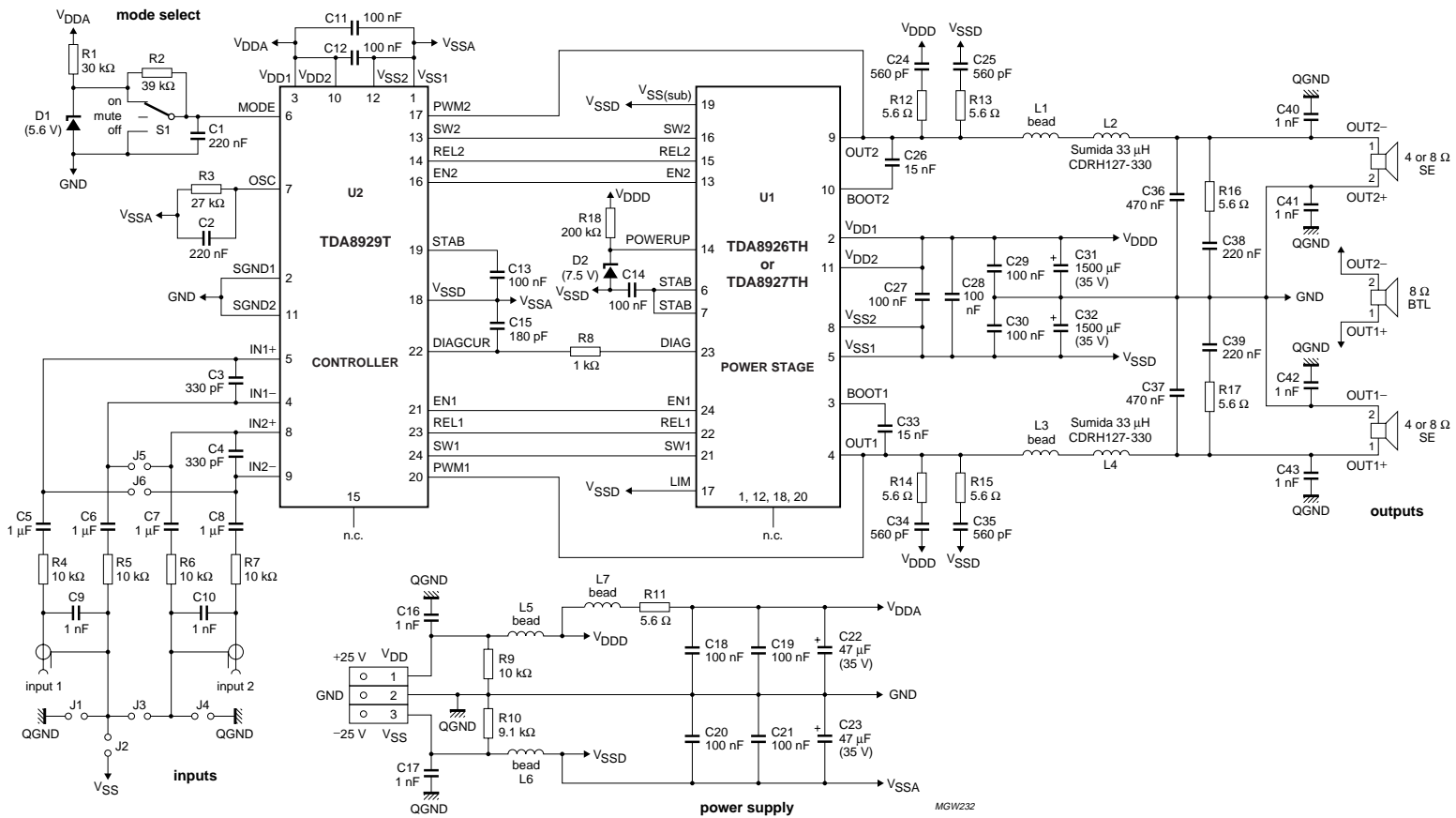


Silk screen bottom, top view

Fig.10 Printed-circuit board layout for TDA8926J or TDA8927J and TDA8929T.

Power stage 2 × 80 W class-D  
audio amplifier

TDA8927

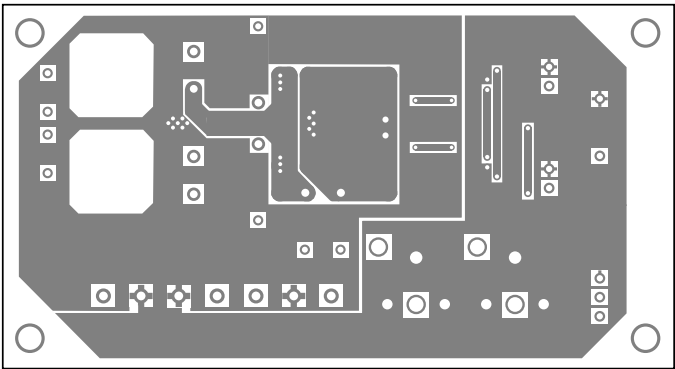


R9 and R10 are only necessary in BTL applications with asymmetrical supply.  
 BTL: remove R6, R7, C4, C7 and C8 and close J5 and J6.  
 Demodulation coils L2 and L4 should be matched in BTL.  
 Inputs floating or inputs referenced to QGND (close J1 and J4) or referenced to V<sub>SS</sub> (close J2 and J3).

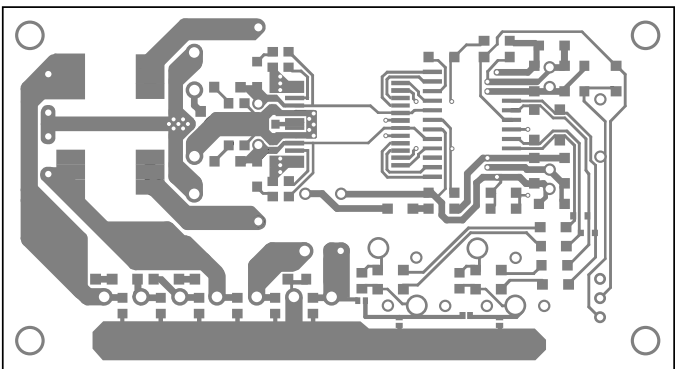
Fig.11 Two-chip class-D audio amplifier application diagram for TDA8926TH or TDA8927TH and TDA8929T.

# Power stage 2 × 80 W class-D audio amplifier

## TDA8927

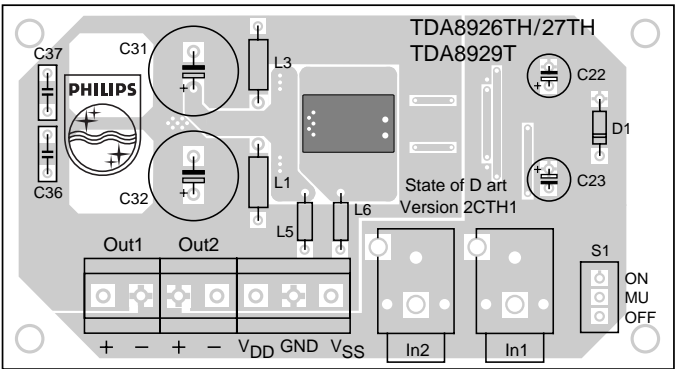


Copper top, top view

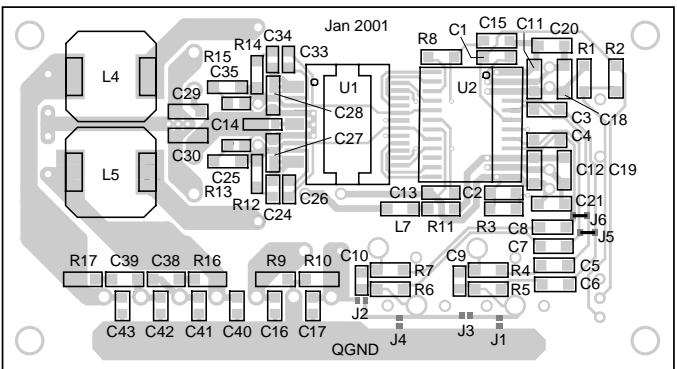


Copper bottom, top view

MGW147



Silk screen top, top view



Silk screen bottom, top view

Fig.12 Printed-circuit board layout for TDA8926TH or TDA8927TH and TDA8929T.

## Power stage 2 × 80 W class-D audio amplifier

TDA8927

### 15.5 Reference design bill of materials

**Table 1** Two-chip class-D audio amplifier PCB (Version 2.1; 03-2001) for TDA8926J or TDA8927J and TDA8929T (see Figs 9 and 10)

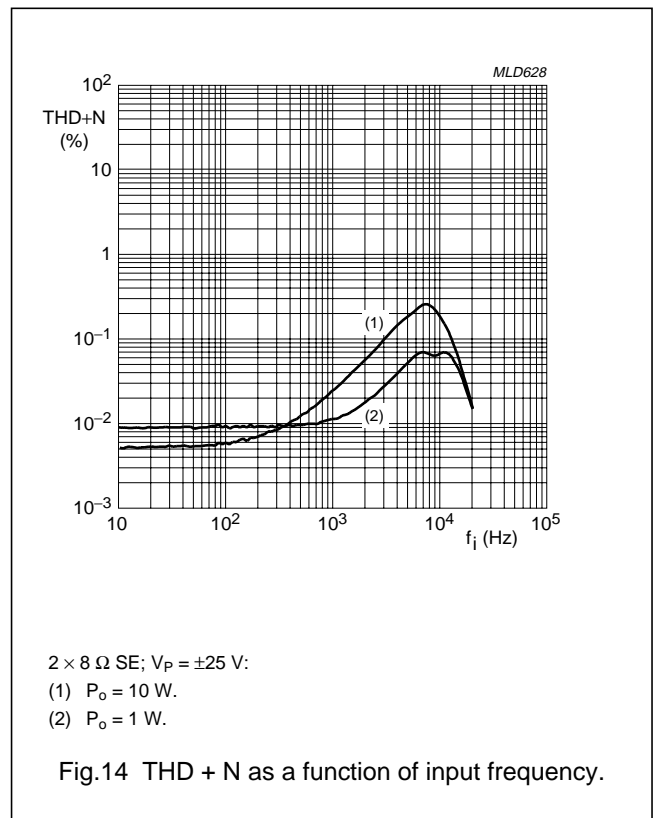
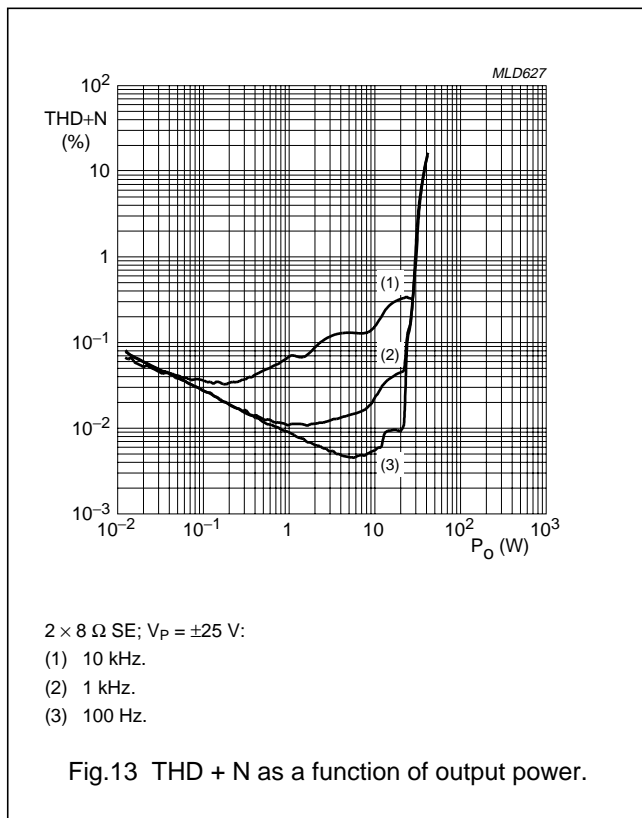
COMPONENT	DESCRIPTION	VALUE	COMMENTS
In1 and In2	Cinch input connectors		2 × Farnell: 152-396
Out1, Out2, V <sub>DD</sub> , GND and V <sub>SS</sub>	supply/output connectors		2 × Augat 5KEV-02; 1 × Augat 5KEV-03
S1	on/mute/off switch		PCB switch Knitter ATE 1 E M-O-M
U1	power stage IC	TDA8926J/27J	DBS17P package
U2	controller IC	TDA8929T	SO24 package
L2 and L4	demodulation filter coils	33 µH	2 × Sumida CDRH127-330
L5, L6 and L7	power supply ferrite beads		3 × Murata BL01RN1-A62
C1 and C2	supply decoupling capacitors for V <sub>DD</sub> to V <sub>SS</sub> of the controller	220 nF/63 V	2 × SMD1206
C3	clock decoupling capacitor	220 nF/63 V	SMD1206
C4	12 V decoupling capacitor of the controller	220 nF/63 V	SMD1206
C5	12 V decoupling capacitor of the power stage	220 nF/63 V	SMD1206
C6 and C7	supply decoupling capacitors for V <sub>DD</sub> to V <sub>SS</sub> of the power stage	220 nF/63 V	SMD1206
C8 and C9	bootstrap capacitors	15 nF/50 V	2 × SMD0805
C10, C11, C12 and C13	snubber capacitors	560 pF/100 V	4 × SMD0805
C14 and C16	demodulation filter capacitors	470 nF/63 V	2 × MKT
C15 and C17	resonance suppress capacitors	220 nF/63 V	2 × SMD1206
C18, C19, C20 and C21	common mode HF coupling capacitors	1 nF/50 V	4 × SMD0805
C22 and C23	input filter capacitors	330 pF/50 V	2 × SMD1206
C24, C25, C26 and C27	input capacitors	470 nF/63 V	4 × MKT
C28, C29, C30 and C31	common mode HF coupling capacitors	1 nF/50 V	2 × SMD0805
C32 and C33	power supply decoupling capacitors	220 nF/63 V	2 × SMD1206
C34 and C35	power supply electrolytic capacitors	1500 µF/35 V	2 × Rubycon ZL very low ESR (large switching currents)
C36, C37, C38 and C39	analog supply decoupling capacitors	220 nF/63 V	4 × SMD1206
C40 and C41	analog supply electrolytic capacitors	47 µF/35 V	2 × Rubycon ZA low ESR
C43	diagnostic capacitor	180 pF/50 V	SMD1206
C44	mode capacitor	220 nF/63 V	SMD1206
D1	5.6 V zener diode	BZX79C5V6	DO-35
D2	7.5 V zener diode	BZX79C7V5	DO-35
R1	clock adjustment resistor	27 kΩ	SMD1206

Power stage 2 × 80 W class-D  
audio amplifier

TDA8927

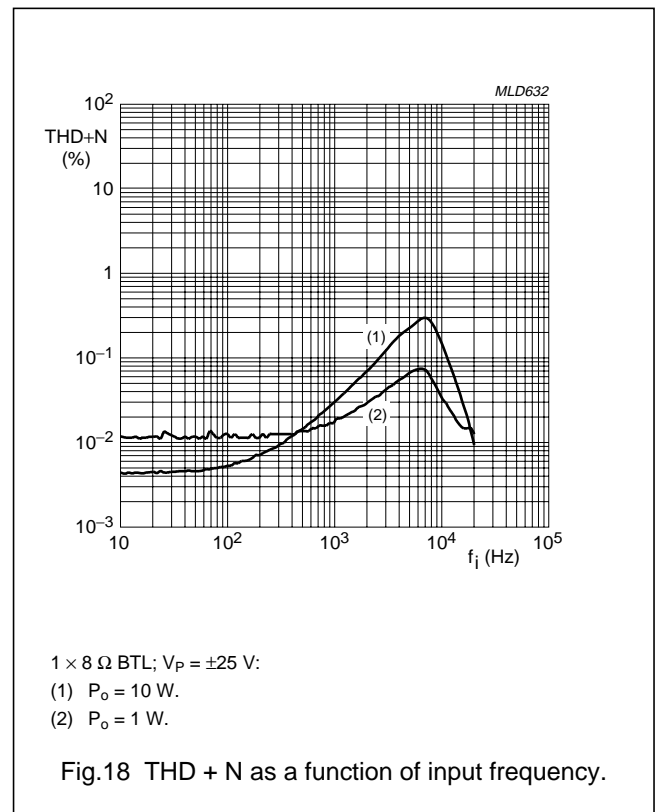
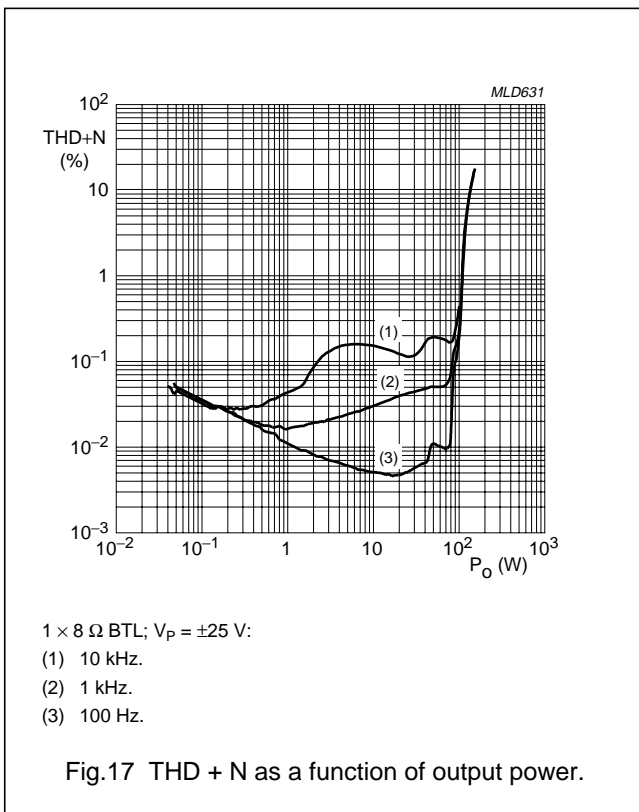
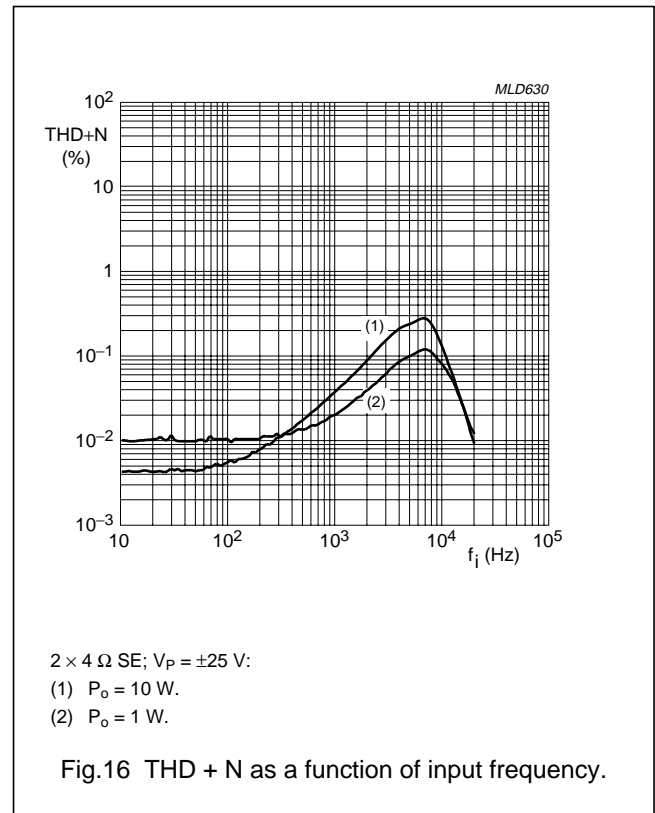
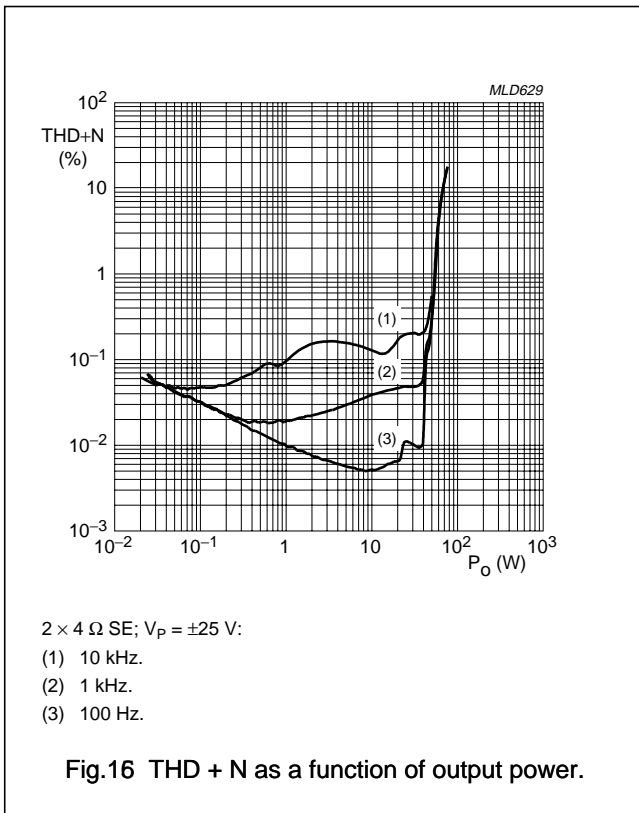
COMPONENT	DESCRIPTION	VALUE	COMMENTS
R4, R5, R6 and R7	input resistors	10 kΩ	4 × SMD1206
R10	diagnostic resistor	1 kΩ	SMD1206
R11, R12, R13 and R14	snubber resistors	5.6 Ω; >0.25 W	4 × SMD1206
R15 and R16	resonance suppression resistors	24 Ω	2 × SMD1206
R19	mode select resistor	39 kΩ	SMD1206
R20	mute select resistor	39 kΩ	SMD1206
R21	resistor needed when using an asymmetrical supply	10 kΩ	SMD1206
R22	resistor needed when using an asymmetrical supply	9.1 kΩ	SMD1206
R24	bias resistor for powering-up the power stage	200 kΩ	SMD1206

15.6 Curves measured in reference design



Power stage 2 × 80 W class-D  
audio amplifier

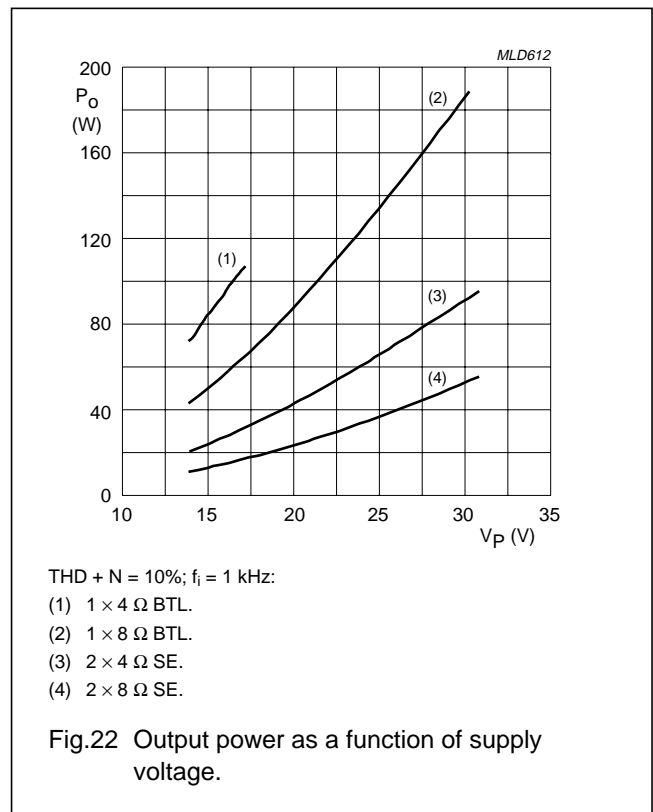
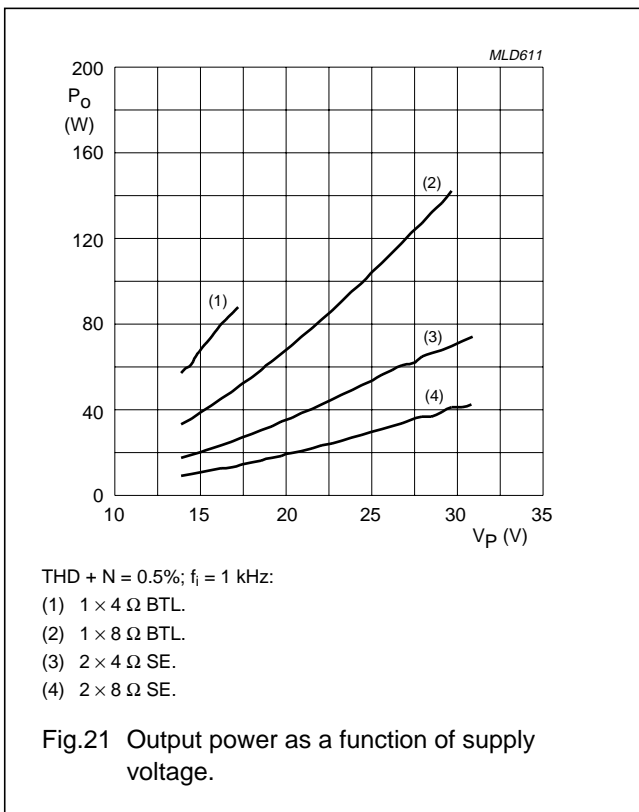
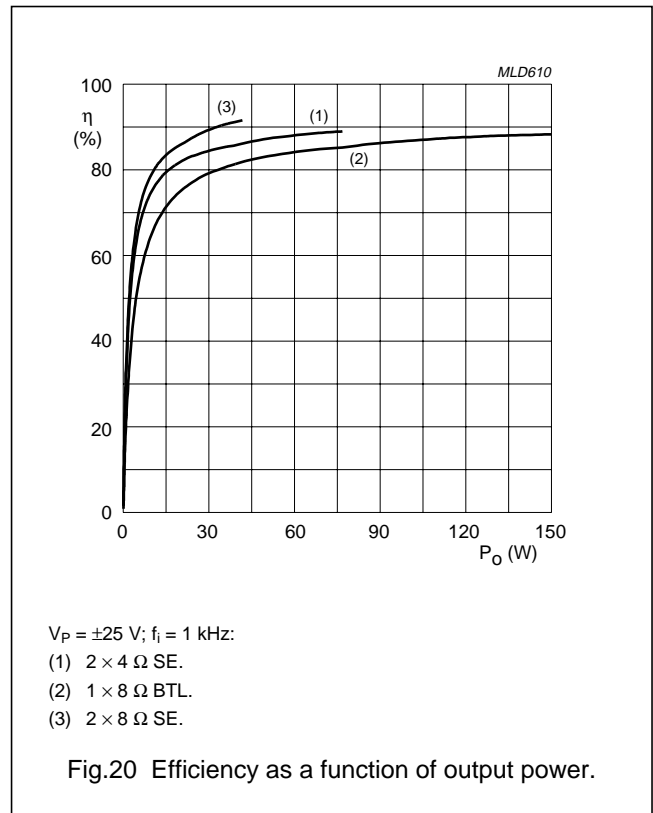
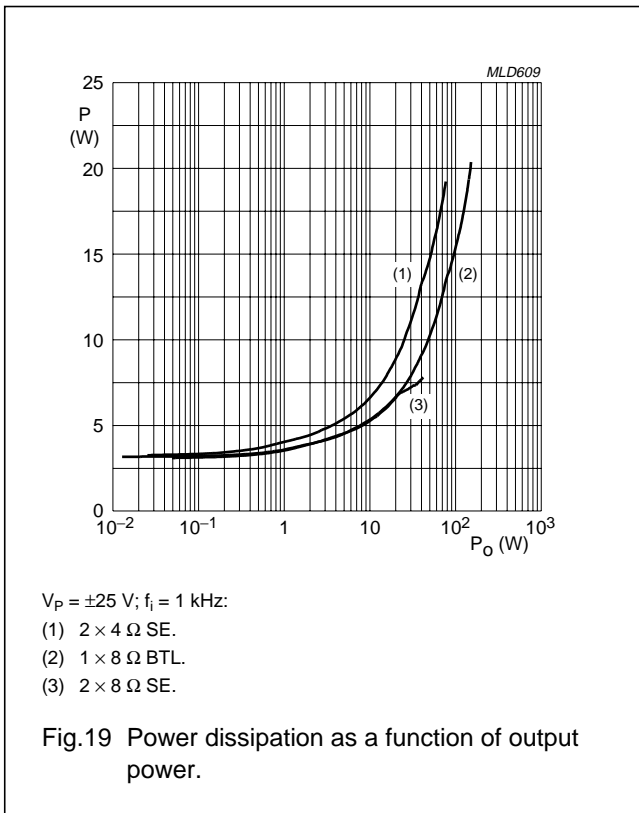
TDA8927





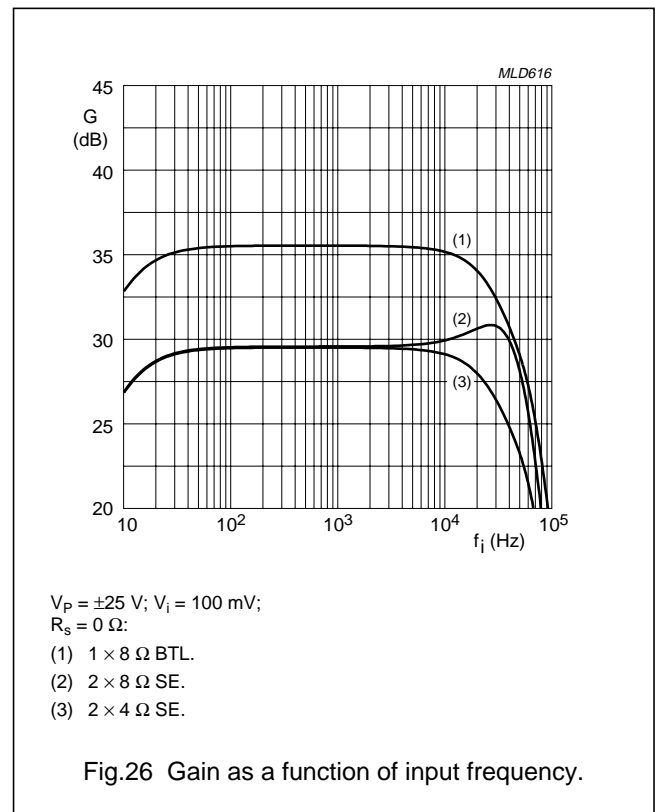
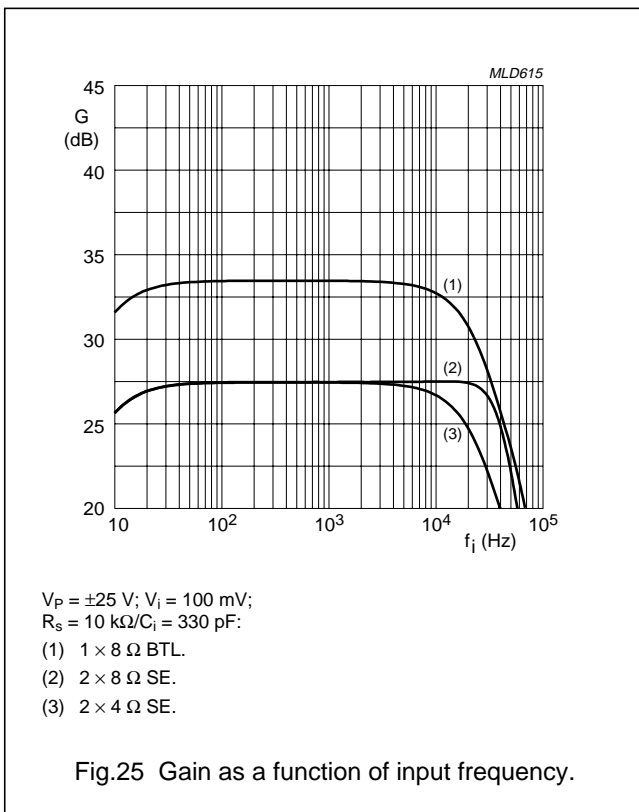
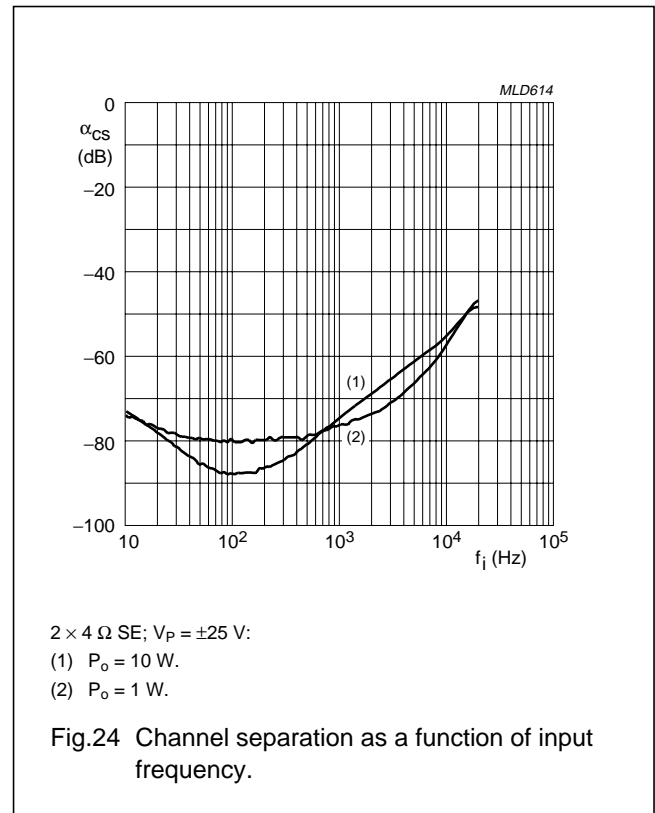
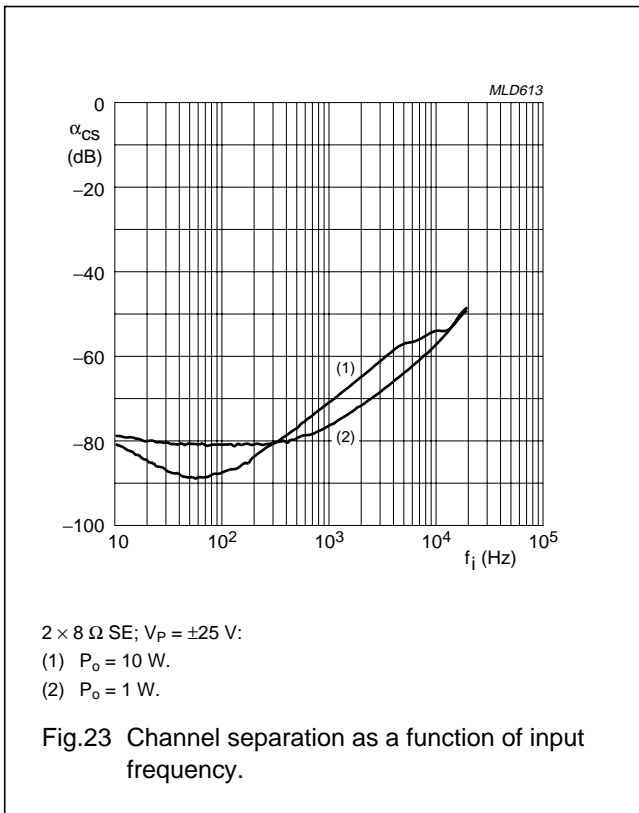
Power stage 2 × 80 W class-D  
audio amplifier

TDA8927



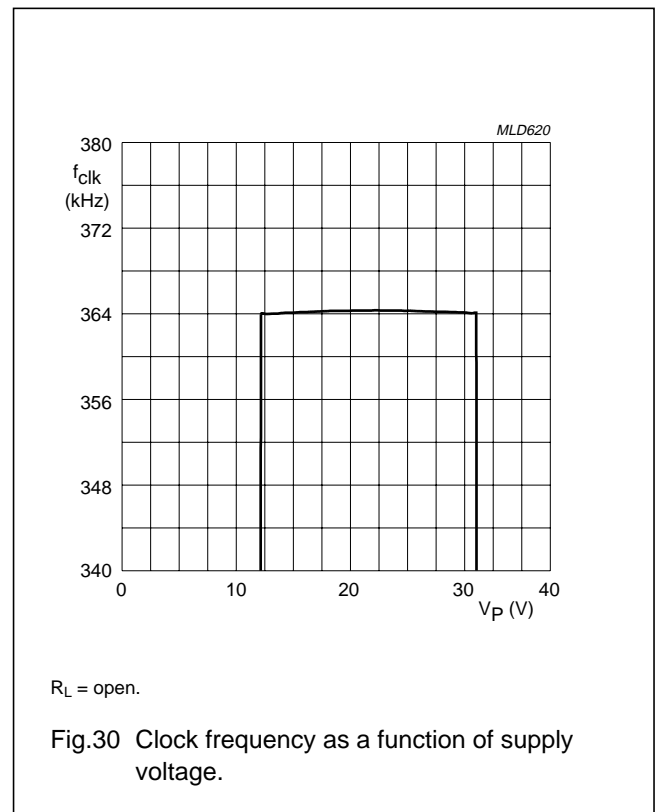
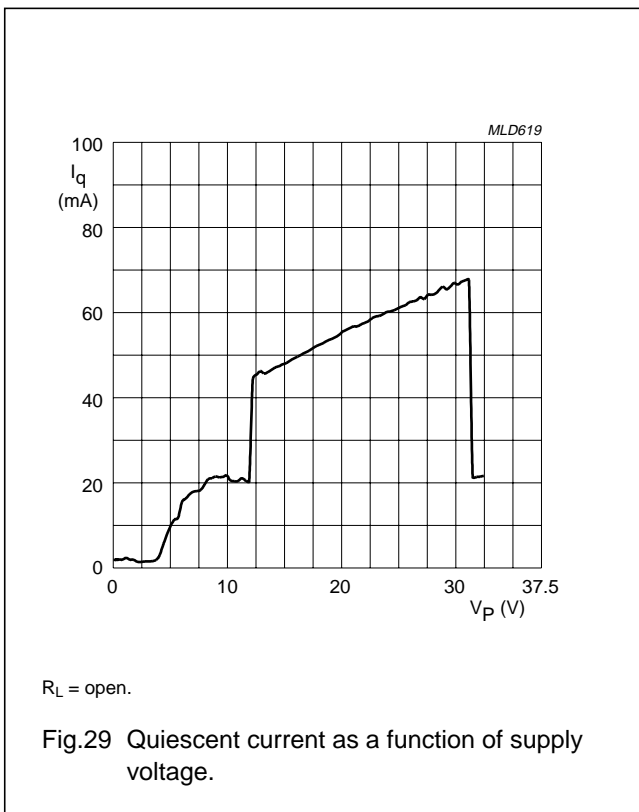
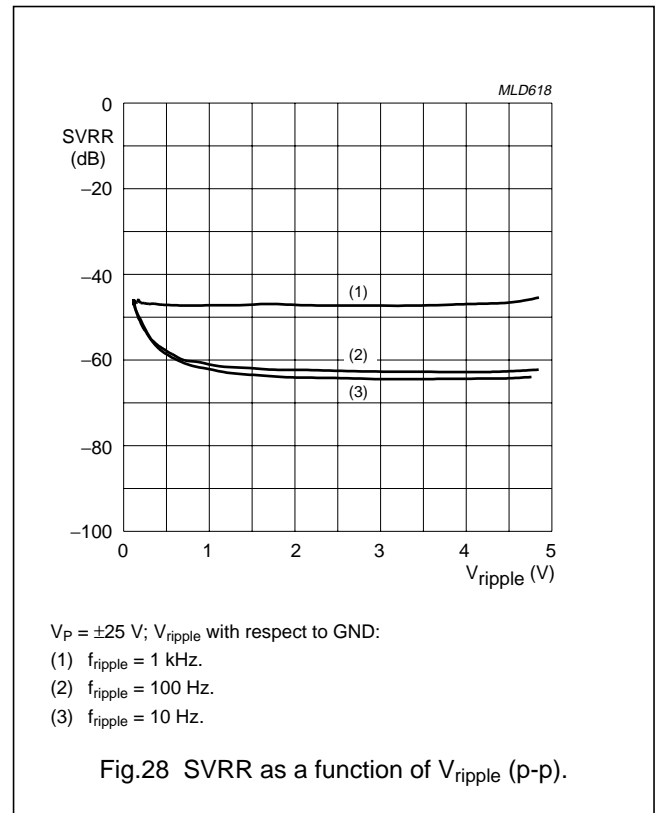
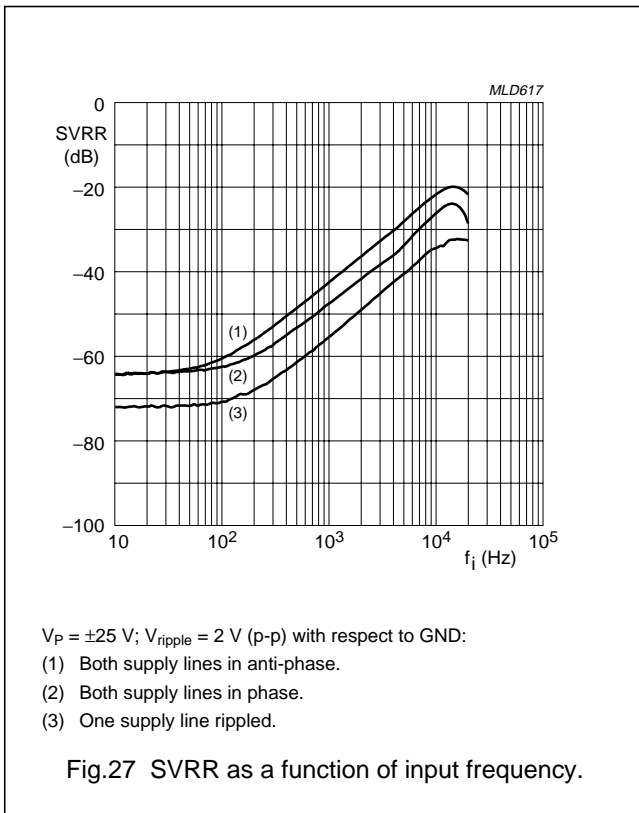
Power stage 2 × 80 W class-D  
audio amplifier

TDA8927



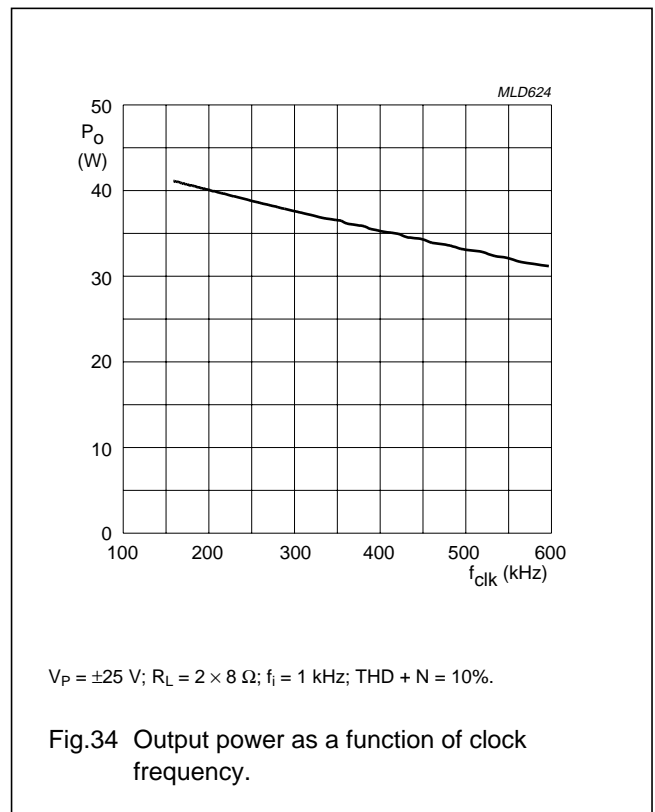
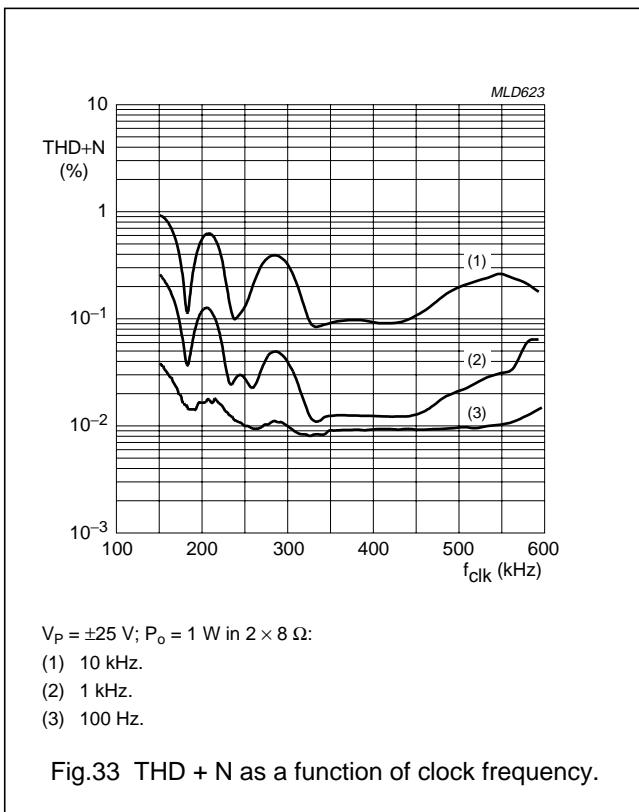
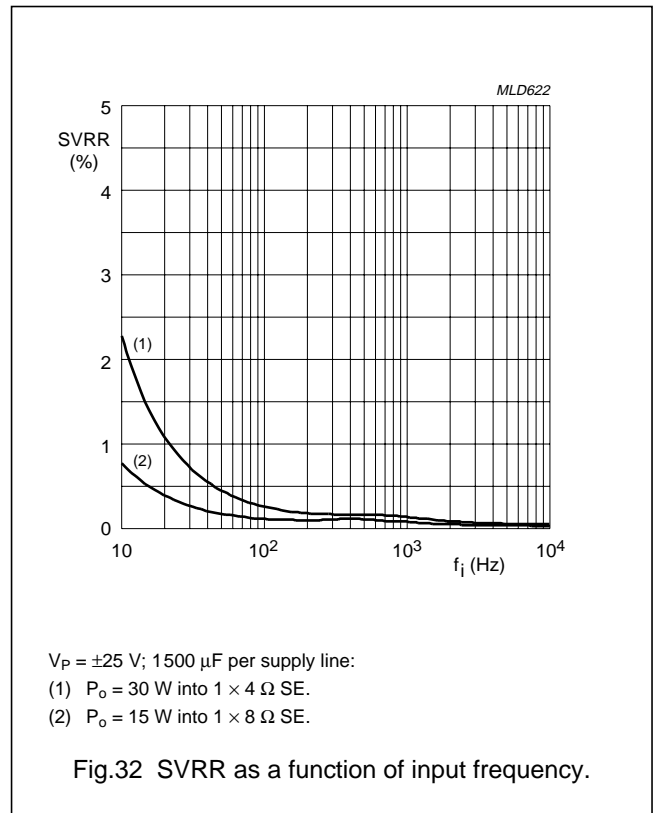
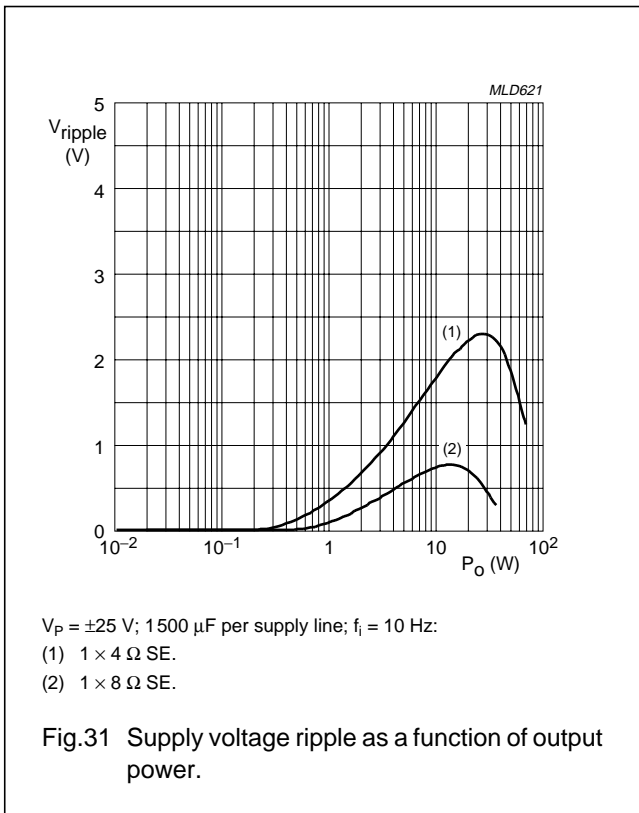
Power stage 2 × 80 W class-D  
audio amplifier

TDA8927



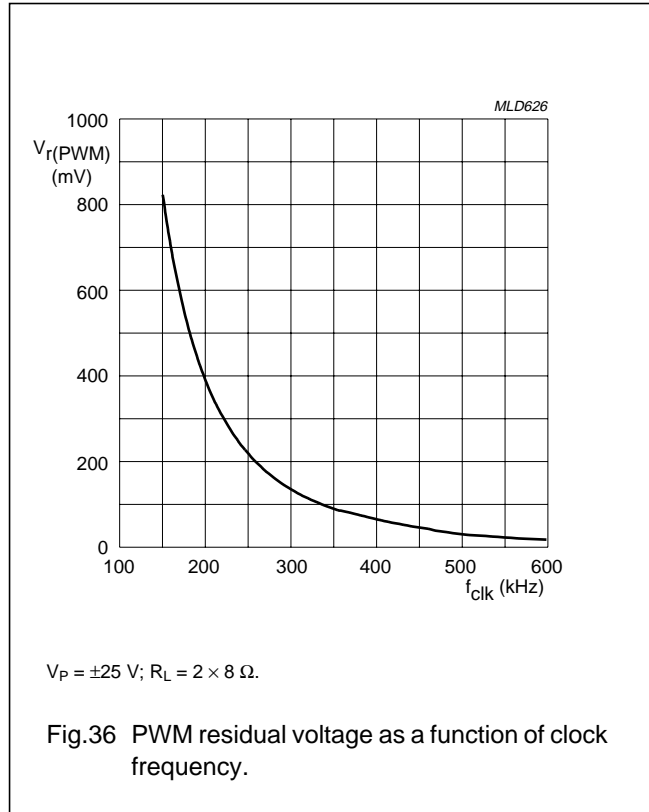
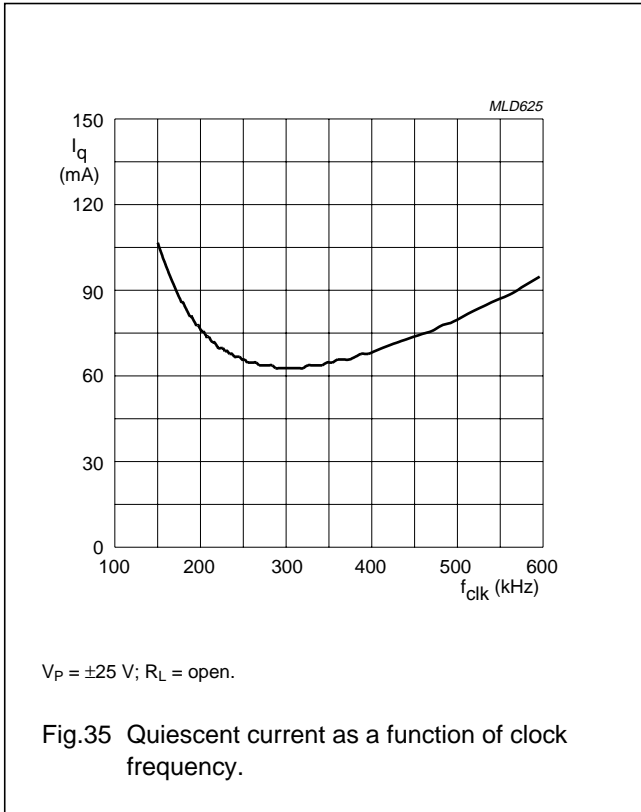
Power stage 2 × 80 W class-D  
audio amplifier

TDA8927



Power stage 2 × 80 W class-D  
audio amplifier

TDA8927



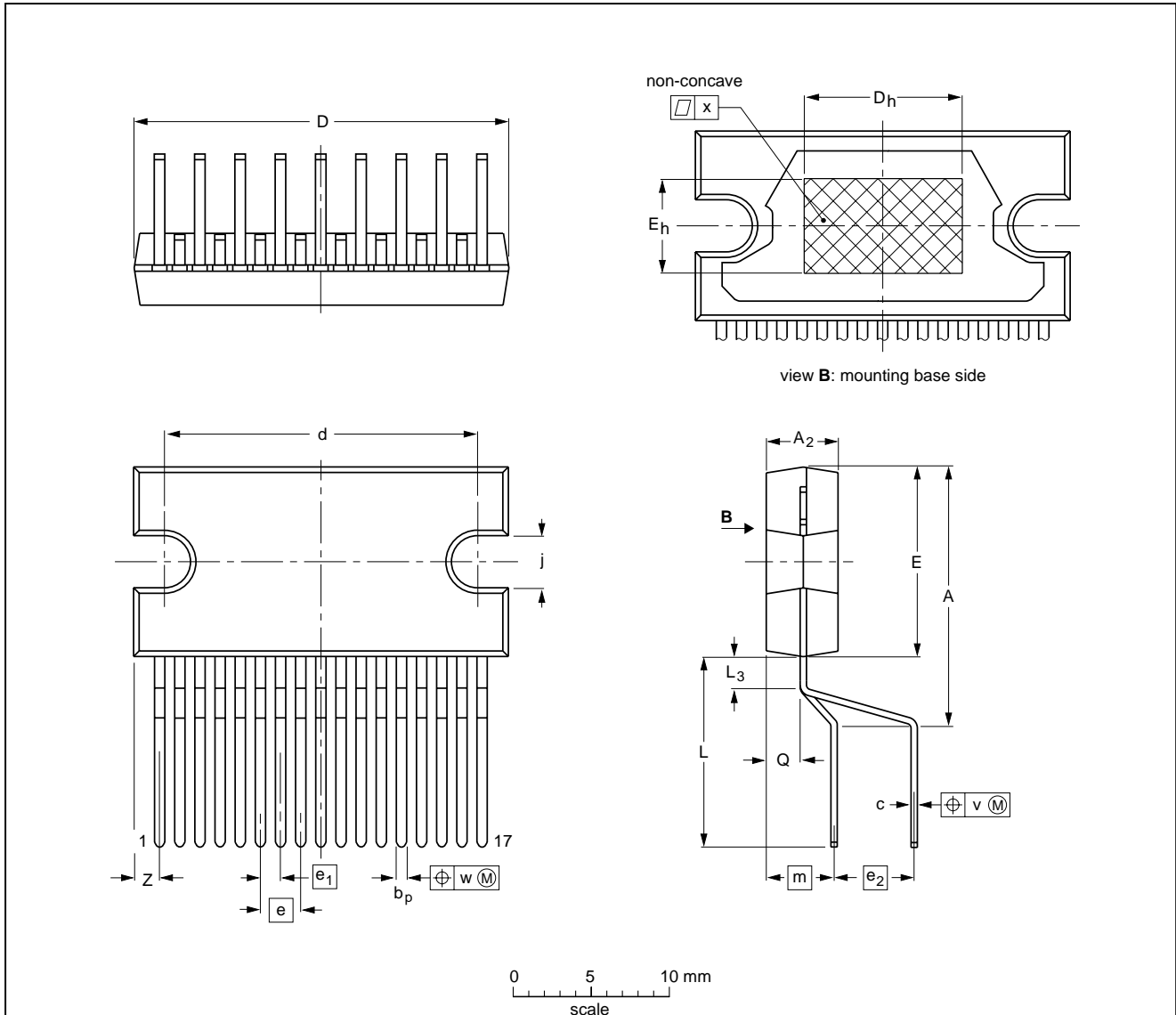
Power stage 2 × 80 W class-D  
audio amplifier

TDA8927

16 PACKAGE OUTLINES

DBS17P: plastic DIL-bent-SIL power package; 17 leads (lead length 12 mm)

SOT243-1



DIMENSIONS (mm are the original dimensions)

UNIT	A	A <sub>2</sub>	b <sub>p</sub>	c	D <sup>(1)</sup>	d	D <sub>h</sub>	E <sup>(1)</sup>	e	e <sub>1</sub>	e <sub>2</sub>	E <sub>h</sub>	j	L	L <sub>3</sub>	m	Q	v	w	x	z <sup>(1)</sup>
mm	17.0 15.5	4.6 4.4	0.75 0.60	0.48 0.38	24.0 23.6	20.0 19.6	10	12.2 11.8	2.54	1.27	5.08	6	3.4 3.1	12.4 11.0	2.4 1.6	4.3	2.1 1.8	0.8	0.4	0.03	2.00 1.45

Note

1. Plastic or metal protrusions of 0.25 mm maximum per side are not included.

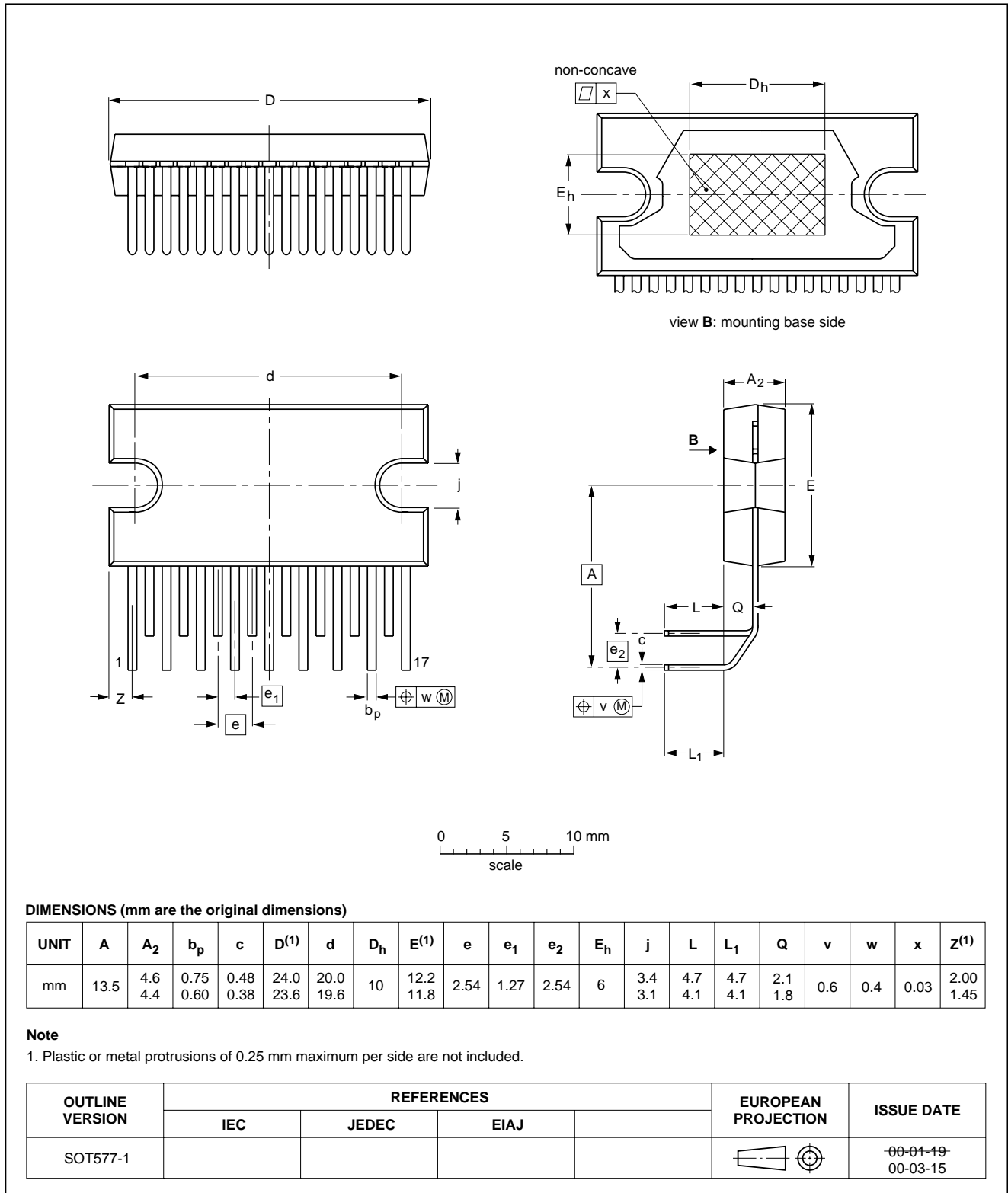
OUTLINE VERSION	REFERENCES				EUROPEAN PROJECTION	ISSUE DATE
	IEC	JEDEC	EIAJ			
SOT243-1						97-12-16 99-12-17

Power stage 2 × 80 W class-D  
audio amplifier

TDA8927

RDBS17P: plastic rectangular-DIL-bent-SIL power package; 17 leads (row spacing 2.54 mm)

SOT577-1

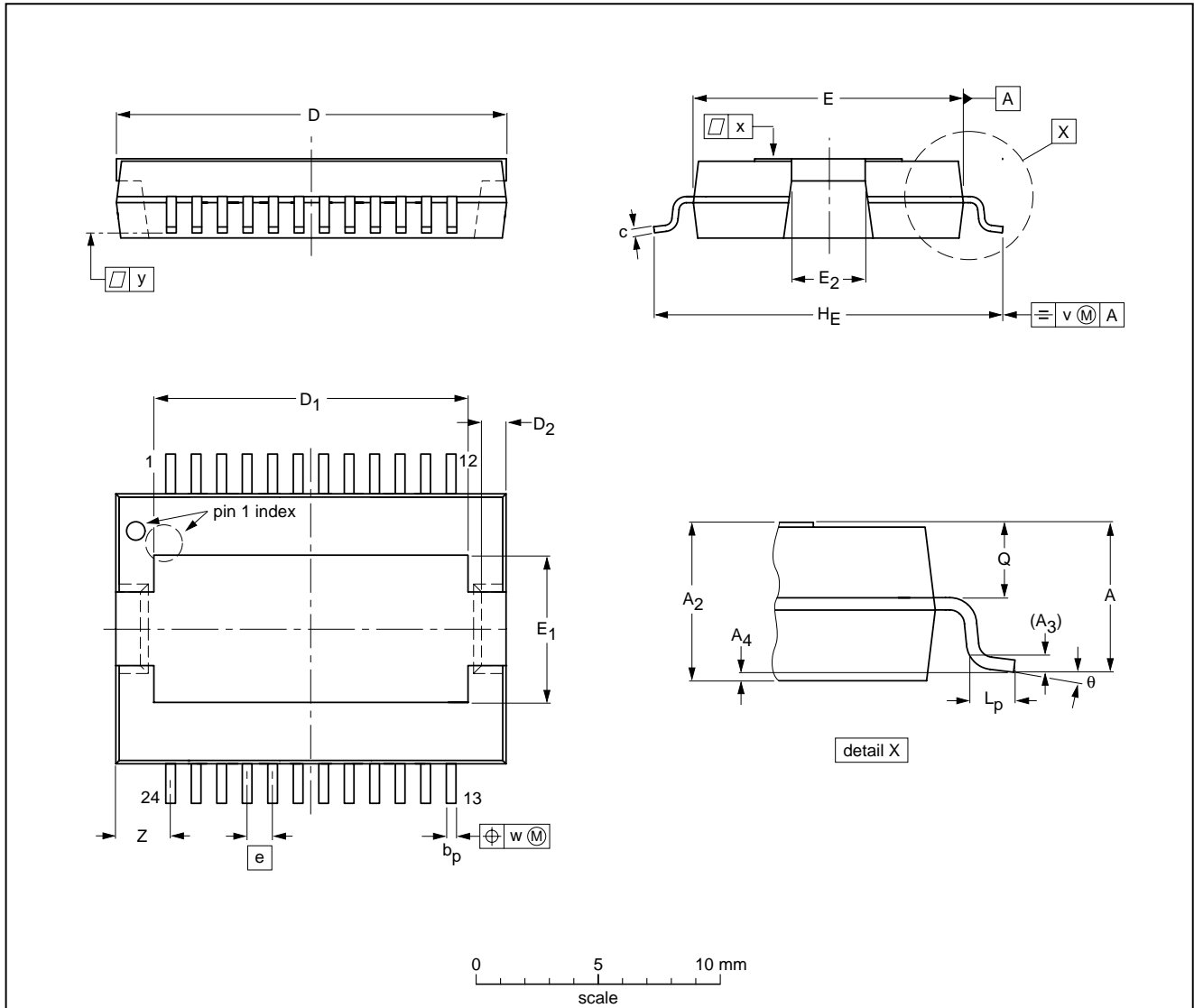


Power stage 2 × 80 W class-D  
audio amplifier

TDA8927

HSOP24: plastic, heatsink small outline package; 24 leads; low stand-off height

SOT566-2



**DIMENSIONS** (mm are the original dimensions)

UNIT	A <sub>max.</sub>	A <sub>2</sub>	A <sub>3</sub>	A <sub>4</sub> <sup>(1)</sup>	b <sub>p</sub>	c	D <sup>(2)</sup>	D <sub>1</sub>	D <sub>2</sub>	E <sup>(2)</sup>	E <sub>1</sub>	E <sub>2</sub>	e	H <sub>E</sub>	L <sub>p</sub>	Q	v	w	x	y	Z	θ
mm	3.5	3.5 3.2	0.35	+0.12 -0.02	0.53 0.40	0.32 0.23	16.0 15.8	13.0 12.6	1.1 0.9	11.1 10.9	6.2 5.8	2.9 2.5	1.0	14.5 13.9	1.1 0.8	1.7 1.5	0.25	0.25	0.03	0.07	2.7 2.2	8° 0°

**Notes**

- Limits per individual lead.
- Plastic or metal protrusions of 0.25 mm maximum per side are not included.

OUTLINE VERSION	REFERENCES				EUROPEAN PROJECTION	ISSUE DATE
	IEC	JEDEC	EIAJ			
SOT566-2						00-03-24



## Power stage 2 × 80 W class-D audio amplifier

TDA8927

### 17 SOLDERING

#### 17.1 Introduction

This text gives a very brief insight to a complex technology. A more in-depth account of soldering ICs can be found in our *"Data Handbook IC26; Integrated Circuit Packages"* (document order number 9398 652 90011).

There is no soldering method that is ideal for all IC packages. Wave soldering is often preferred when through-hole and surface mount components are mixed on one printed-circuit board. Wave soldering can still be used for certain surface mount ICs, but it is not suitable for fine pitch SMDs. In these situations reflow soldering is recommended.

#### 17.2 Through-hole mount packages

##### 17.2.1 SOLDERING BY DIPPING OR BY SOLDER WAVE

The maximum permissible temperature of the solder is 260 °C; solder at this temperature must not be in contact with the joints for more than 5 seconds. The total contact time of successive solder waves must not exceed 5 seconds.

The device may be mounted up to the seating plane, but the temperature of the plastic body must not exceed the specified maximum storage temperature ( $T_{stg(max)}$ ). If the printed-circuit board has been pre-heated, forced cooling may be necessary immediately after soldering to keep the temperature within the permissible limit.

##### 17.2.2 MANUAL SOLDERING

Apply the soldering iron (24 V or less) to the lead(s) of the package, either below the seating plane or not more than 2 mm above it. If the temperature of the soldering iron bit is less than 300 °C it may remain in contact for up to 10 seconds. If the bit temperature is between 300 and 400 °C, contact may be up to 5 seconds.

#### 17.3 Surface mount packages

##### 17.3.1 REFLOW SOLDERING

Reflow soldering requires solder paste (a suspension of fine solder particles, flux and binding agent) to be applied to the printed-circuit board by screen printing, stencilling or pressure-syringe dispensing before package placement.

Several methods exist for reflowing; for example, convection or convection/infrared heating in a conveyor type oven. Throughput times (preheating, soldering and cooling) vary between 100 and 200 seconds depending on heating method.

Typical reflow peak temperatures range from 215 to 250 °C. The top-surface temperature of the packages should preferably be kept below 220 °C for thick/large packages, and below 235 °C for small/thin packages.

##### 17.3.2 WAVE SOLDERING

Conventional single wave soldering is not recommended for surface mount devices (SMDs) or printed-circuit boards with a high component density, as solder bridging and non-wetting can present major problems.

To overcome these problems the double-wave soldering method was specifically developed.

If wave soldering is used the following conditions must be observed for optimal results:

- Use a double-wave soldering method comprising a turbulent wave with high upward pressure followed by a smooth laminar wave.
- For packages with leads on two sides and a pitch (e):
  - larger than or equal to 1.27 mm, the footprint longitudinal axis is **preferred** to be parallel to the transport direction of the printed-circuit board;
  - smaller than 1.27 mm, the footprint longitudinal axis **must** be parallel to the transport direction of the printed-circuit board.

The footprint must incorporate solder thieves at the downstream end.

- For packages with leads on four sides, the footprint must be placed at a 45° angle to the transport direction of the printed-circuit board. The footprint must incorporate solder thieves downstream and at the side corners.

During placement and before soldering, the package must be fixed with a droplet of adhesive. The adhesive can be applied by screen printing, pin transfer or syringe dispensing. The package can be soldered after the adhesive is cured.

Typical dwell time is 4 seconds at 250 °C.

A mildly-activated flux will eliminate the need for removal of corrosive residues in most applications.

##### 17.3.3 MANUAL SOLDERING

Fix the component by first soldering two diagonally-opposite end leads. Use a low voltage (24 V or less) soldering iron applied to the flat part of the lead. Contact time must be limited to 10 seconds at up to 300 °C. When using a dedicated tool, all other leads can be soldered in one operation within 2 to 5 seconds between 270 and 320 °C.

## Power stage 2 × 80 W class-D audio amplifier

TDA8927

### 17.4 Suitability of IC packages for wave, reflow and dipping soldering methods

MOUNTING	PACKAGE	SOLDERING METHOD		
		WAVE	REFLOW <sup>(1)</sup>	DIPPING
Through-hole mount	DBS, DIP, HDIP, SDIP, SIL	suitable <sup>(2)</sup>	–	suitable
Surface mount	BGA, HBGA, LFBGA, SQFP, TFBGA	not suitable	suitable	–
	HBCC, HLQFP, HSQFP, HSOP, HTQFP, HTSSOP, HVQFN, SMS	not suitable <sup>(3)</sup>	suitable	–
	PLCC <sup>(4)</sup> , SO, SOJ	suitable	suitable	–
	LQFP, QFP, TQFP	not recommended <sup>(4)(5)</sup>	suitable	–
	SSOP, TSSOP, VSO	not recommended <sup>(6)</sup>	suitable	–

#### Notes

- All surface mount (SMD) packages are moisture sensitive. Depending upon the moisture content, the maximum temperature (with respect to time) and body size of the package, there is a risk that internal or external package cracks may occur due to vaporization of the moisture in them (the so called popcorn effect). For details, refer to the Drypack information in the *"Data Handbook IC26; Integrated Circuit Packages; Section: Packing Methods"*.
- For SDIP packages, the longitudinal axis must be parallel to the transport direction of the printed-circuit board.
- These packages are not suitable for wave soldering as a solder joint between the printed-circuit board and heatsink (at bottom version) can not be achieved, and as solder may stick to the heatsink (on top version).
- If wave soldering is considered, then the package must be placed at a 45° angle to the solder wave direction. The package footprint must incorporate solder thieves downstream and at the side corners.
- Wave soldering is only suitable for LQFP, QFP and TQFP packages with a pitch (e) equal to or larger than 0.8 mm; it is definitely not suitable for packages with a pitch (e) equal to or smaller than 0.65 mm.
- Wave soldering is only suitable for SSOP and TSSOP packages with a pitch (e) equal to or larger than 0.65 mm; it is definitely not suitable for packages with a pitch (e) equal to or smaller than 0.5 mm.

## Power stage 2 × 80 W class-D audio amplifier

TDA8927

### 18 DATA SHEET STATUS

DATA SHEET STATUS <sup>(1)</sup>	PRODUCT STATUS <sup>(2)</sup>	DEFINITIONS
Objective data	Development	This data sheet contains data from the objective specification for product development. Philips Semiconductors reserves the right to change the specification in any manner without notice.
Preliminary data	Qualification	This data sheet contains data from the preliminary specification. Supplementary data will be published at a later date. Philips Semiconductors reserves the right to change the specification without notice, in order to improve the design and supply the best possible product.
Product data	Production	This data sheet contains data from the product specification. Philips Semiconductors reserves the right to make changes at any time in order to improve the design, manufacturing and supply. Changes will be communicated according to the Customer Product/Process Change Notification (CPCN) procedure SNW-SQ-650A.

#### Notes

1. Please consult the most recently issued data sheet before initiating or completing a design.
2. The product status of the device(s) described in this data sheet may have changed since this data sheet was published. The latest information is available on the Internet at URL <http://www.semiconductors.philips.com>.

### 19 DEFINITIONS

**Short-form specification** — The data in a short-form specification is extracted from a full data sheet with the same type number and title. For detailed information see the relevant data sheet or data handbook.

**Limiting values definition** — Limiting values given are in accordance with the Absolute Maximum Rating System (IEC 60134). Stress above one or more of the limiting values may cause permanent damage to the device. These are stress ratings only and operation of the device at these or at any other conditions above those given in the Characteristics sections of the specification is not implied. Exposure to limiting values for extended periods may affect device reliability.

**Application information** — Applications that are described herein for any of these products are for illustrative purposes only. Philips Semiconductors make no representation or warranty that such applications will be suitable for the specified use without further testing or modification.

### 20 DISCLAIMERS

**Life support applications** — These products are not designed for use in life support appliances, devices, or systems where malfunction of these products can reasonably be expected to result in personal injury. Philips Semiconductors customers using or selling these products for use in such applications do so at their own risk and agree to fully indemnify Philips Semiconductors for any damages resulting from such application.

**Right to make changes** — Philips Semiconductors reserves the right to make changes, without notice, in the products, including circuits, standard cells, and/or software, described or contained herein in order to improve design and/or performance. Philips Semiconductors assumes no responsibility or liability for the use of any of these products, conveys no licence or title under any patent, copyright, or mask work right to these products, and makes no representations or warranties that these products are free from patent, copyright, or mask work right infringement, unless otherwise specified.

# ***Philips Semiconductors – a worldwide company***

## **Contact information**

For additional information please visit <http://www.semiconductors.philips.com>. Fax: +31 40 27 24825

For sales offices addresses send e-mail to: [sales.addresses@www.semiconductors.philips.com](mailto:sales.addresses@www.semiconductors.philips.com).

© Koninklijke Philips Electronics N.V. 2001

SCA73

All rights are reserved. Reproduction in whole or in part is prohibited without the prior written consent of the copyright owner.

The information presented in this document does not form part of any quotation or contract, is believed to be accurate and reliable and may be changed without notice. No liability will be accepted by the publisher for any consequence of its use. Publication thereof does not convey nor imply any license under patent- or other industrial or intellectual property rights.

Printed in The Netherlands

753503/01/pp36

Date of release: 2001 Dec 11

Document order number: 9397 750 08191

*Let's make things better.*

**Philips  
Semiconductors**



**PHILIPS**