

Smart Two Channel Highside Power Switch

Features

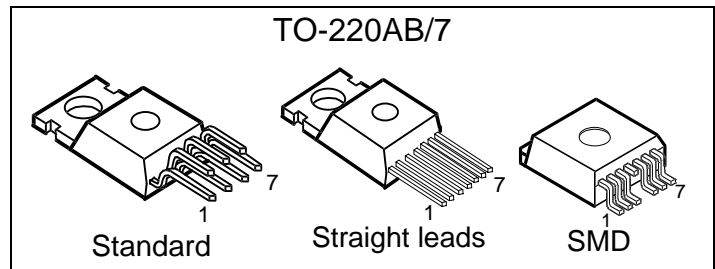
- Overload protection
- Current limitation
- Short circuit protection
- Thermal shutdown
- Overvoltage protection (including load dump)
- Fast demagnetization of inductive loads
- Reverse battery protection¹⁾
- Undervoltage and overvoltage shutdown with auto-restart and hysteresis
- Open drain diagnostic output
- Open load detection in ON-state
- CMOS compatible input
- Loss of ground and loss of V_{bb} protection
- Electrostatic discharge (ESD) protection

Application

- μ C compatible power switch with diagnostic feedback for 12 V and 24 V DC grounded loads
- All types of resistive, inductive and capacitive loads
- Replaces electromechanical relays, fuses and discrete circuits

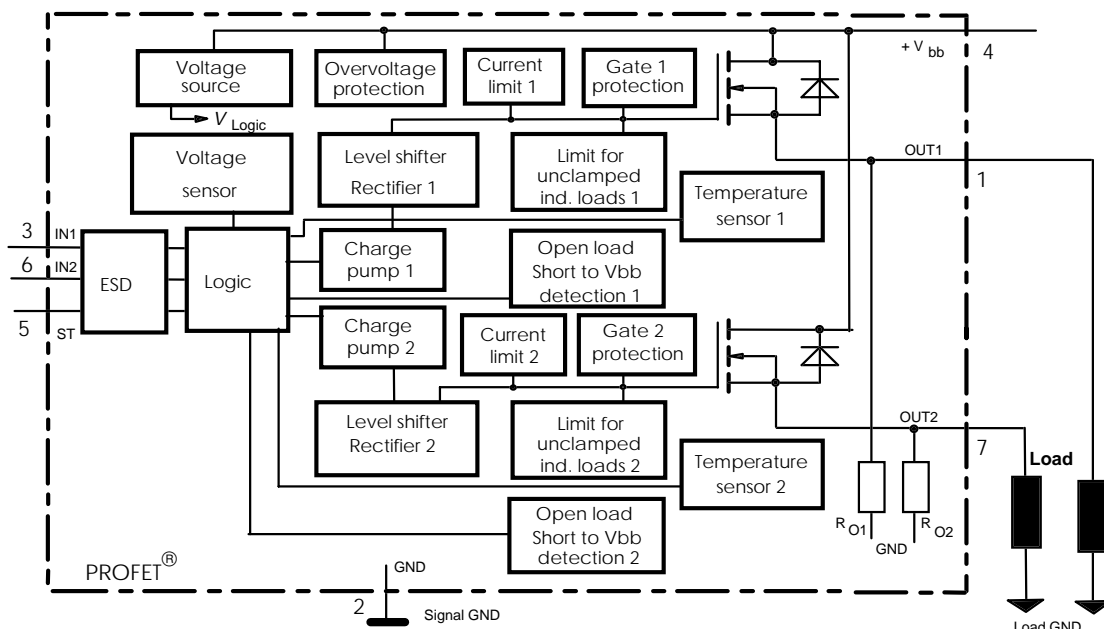
Product Summary

Overvoltage protection	$V_{bb(AZ)}$	43	V	
Operating voltage	$V_{bb(on)}$	5.0 ... 34	V	
	channels:	each	both parallel	
On-state resistance	R_{ON}	200	100	m Ω
Load current (ISO)	$I_{L(ISO)}$	2.3	4.4	A
Current limitation	$I_{L(SCr)}$	4	4	A



General Description

N channel vertical power FET with charge pump, ground referenced CMOS compatible input and diagnostic feedback, monolithically integrated in Smart SIPMOS[®] technology. Fully protected by embedded protection functions.



1) With external current limit (e.g. resistor $R_{GND}=150 \Omega$) in GND connection, resistor in series with ST connection, reverse load current limited by connected load.

Pin	Symbol	Function
1	OUT1 (Load, L)	Output 1, protected high-side power output of channel 1
2	GND	Logic ground
3	IN1	Input 1, activates channel 1 in case of logical high signal
4	V _{bb}	Positive power supply voltage, the tab is shorted to this pin
5	ST	Diagnostic feedback: open drain, low on failure
6	IN2	Input 2, activates channel 2 in case of logical high signal
7	OUT2 (Load, L)	Output 2, protected high-side power output of channel 2

Maximum Ratings at $T_j = 25\text{ °C}$ unless otherwise specified

Parameter	Symbol	Values	Unit
Supply voltage (overvoltage protection see page 4)	V_{bb}	43	V
Supply voltage for full short circuit protection $T_{j\text{ start}} = -40 \dots +150\text{ °C}$	V_{bb}	34	V
Load dump protection ²⁾ $V_{\text{Load Dump}} = U_A + V_s$, $U_A = 13.5\text{ V}$ $R_l^{3)} = 2\ \Omega$, $R_L = 5.3\ \Omega$, $t_d = 200\text{ ms}$, IN= low or high	$V_{\text{Load dump}}^{4)}$	60	V
Load current (Short circuit current, see page 5)	I_L	self-limited	A
Operating temperature range	T_j	-40 ... +150	°C
Storage temperature range	T_{stg}	-55 ... +150	
Power dissipation (DC), $T_C \leq 25\text{ °C}$	P_{tot}	36	W
Inductive load switch-off energy dissipation, single pulse $V_{bb} = 12\text{ V}$, $T_{i,\text{start}} = 150\text{ °C}$, $T_C = 150\text{ °C}$ const. one channel, $I_L = 2.3\text{ A}$, $Z_L = 89\text{ mH}$, $0\ \Omega$: both channels parallel, $I_L = 4.4\text{ A}$, $Z_L = 47\text{ mH}$, $0\ \Omega$: see diagrams on page 9	E_{AS}	290 580	mJ
Electrostatic discharge capability (ESD) (Human Body Model) acc. MIL-STD883D, method 3015.7 and ESD assn. std. S5.1-1993	IN: V_{ESD} all other pins:	1.0 2.0	kV
Input voltage (DC)	V_{IN}	-10 ... +16	V
Current through input pin (DC)	I_{IN}	± 2.0	mA
Current through status pin (DC)	I_{ST}	± 5.0	
see internal circuit diagrams page 7			

2) Supply voltages higher than $V_{bb(AZ)}$ require an external current limit for the GND and status pins, e.g. with a $150\ \Omega$ resistor in the GND connection and a $15\text{ k}\Omega$ resistor in series with the status pin. A resistor for the protection of the input is integrated.

3) R_l = internal resistance of the load dump test pulse generator

4) $V_{\text{Load dump}}$ is setup without the DUT connected to the generator per ISO 7637-1 and DIN 40839



Thermal Characteristics

Parameter and Conditions	Symbol	Values			Unit
		min	typ	max	
Thermal resistance chip - case, both channels: each channel:	R_{thJC}	--	--	3.5	K/W
		--	--	7.0	
junction - ambient (free air): SMD version, device on PCB ⁵⁾ :	R_{thJA}	--	--	75	
			37		

Electrical Characteristics

Parameter and Conditions, each channel at $T_j = 25\text{ °C}$, $V_{bb} = 12\text{ V}$ unless otherwise specified	Symbol	Values			Unit
		min	typ	max	

Load Switching Capabilities and Characteristics

On-state resistance (pin 4 to 1 or 7) $I_L = 1.8\text{ A}$ each channel	$T_j = 25\text{ °C}$: $T_j = 150\text{ °C}$:	R_{ON}	--	160 320	200 400	$m\Omega$
Nominal load current, ISO Norm (pin 4 to 1 or 7) $V_{ON} = 0.5\text{ V}$, $T_C = 85\text{ °C}$	each channel: both channels parallel:	$I_{L(ISO)}$	1.8 3.5	2.3 4.4	-- --	A
Output current (pin 1 or 7) while GND disconnected or GND pulled up, $V_{bb} = 30\text{ V}$, $V_{IN} = 0$, see diagram page 8		$I_{L(GNDhigh)}$	--	--	10	mA
Turn-on time IN  to 90% V_{OUT} :		t_{on}	80	200	400	μs
Turn-off time IN  to 10% V_{OUT} :		t_{off}	80	200	400	μs
$R_L = 12\ \Omega$, $T_j = -40\dots+150\text{ °C}$						
Slew rate on 10 to 30% V_{OUT} , $R_L = 12\ \Omega$, $T_j = -40\dots+150\text{ °C}$		dV/dt_{on}	0.1	--	1	V/ μs
Slew rate off 70 to 40% V_{OUT} , $R_L = 12\ \Omega$, $T_j = -40\dots+150\text{ °C}$		$-dV/dt_{off}$	0.1	--	1	V/ μs

⁵⁾ Device on 50mm*50mm*1.5mm epoxy PCB FR4 with 6cm² (one layer, 70 μ m thick) copper area for V_{bb} connection. PCB is vertical without blown air.

Parameter and Conditions, each channel at $T_j = 25\text{ °C}$, $V_{bb} = 12\text{ V}$ unless otherwise specified	Symbol	Values			Unit
		min	typ	max	

Operating Parameters

Operating voltage ⁶⁾	$T_j = -40\dots+150\text{ °C}$:	$V_{bb(\text{on})}$	5.0	--	34	V
Undervoltage shutdown	$T_j = -40\dots+150\text{ °C}$:	$V_{bb(\text{under})}$	3.5	--	5.0	V
Undervoltage restart	$T_j = -40\dots+25\text{ °C}$: $T_j = +150\text{ °C}$:	$V_{bb(\text{u rst})}$	--	--	5.0 7.0	V
Undervoltage restart of charge pump see diagram page 13		$V_{bb(\text{ucp})}$	--	5.6	7.0	V
Undervoltage hysteresis $\Delta V_{bb(\text{under})} = V_{bb(\text{u rst})} - V_{bb(\text{under})}$		$\Delta V_{bb(\text{under})}$	--	0.2	--	V
Overvoltage shutdown	$T_j = -40\dots+150\text{ °C}$:	$V_{bb(\text{over})}$	34	--	43	V
Overvoltage restart	$T_j = -40\dots+150\text{ °C}$:	$V_{bb(\text{o rst})}$	33	--	--	V
Overvoltage hysteresis	$T_j = -40\dots+150\text{ °C}$:	$\Delta V_{bb(\text{over})}$	--	0.5	--	V
Overvoltage protection ⁷⁾ $I_{bb} = 40\text{ mA}$	$T_j = -40\dots+150\text{ °C}$:	$V_{bb(\text{AZ})}$	42	47	--	V
Standby current (pin 4) $V_{IN} = 0$	$T_j = -40\dots+25\text{ °C}$: $T_j = 150\text{ °C}$:	$I_{bb(\text{off})}$	--	14 17	30 35	μA
Leakage output current (included in $I_{bb(\text{off})}$) $V_{IN} = 0$		$I_{L(\text{off})}$	--	--	12	μA
Operating current (Pin 2) ⁸⁾ , $V_{IN} = 5\text{ V}$ both channels on, $T_j = -40\dots+150\text{ °C}$		I_{GND}	--	4	6	mA
Operating current (Pin 2) ⁸⁾ one channel on, $T_j = -40\dots+150\text{ °C}$:		I_{GND}	--	2	3	mA

⁶⁾ At supply voltage increase up to $V_{bb} = 5.6\text{ V}$ typ without charge pump, $V_{OUT} \approx V_{bb} - 2\text{ V}$

⁷⁾ See also $V_{ON(\text{CL})}$ in table of protection functions and circuit diagram page 8.

⁸⁾ Add I_{ST} , if $I_{ST} > 0$, add I_{IN} , if $V_{IN} > 5.5\text{ V}$



Parameter and Conditions, each channel at $T_j = 25\text{ °C}$, $V_{bb} = 12\text{ V}$ unless otherwise specified	Symbol	Values			Unit
		min	typ	max	
Protection Functions					
Initial peak short circuit current limit (pin 4 to 1 or 7) $T_j = -40\text{ °C}$: $T_j = 25\text{ °C}$: $T_j = +150\text{ °C}$:	$I_{L(SCp)}$	5.5 4.5 2.5	9.5 7.5 4.5	13 11 7	A
Repetitive short circuit shutdown current limit $T_j = T_{jt}$ (see timing diagrams, page 11)	$I_{L(SCr)}$	--	4	--	A
Output clamp (inductive load switch off) at $V_{OUT} = V_{bb} - V_{ON(CL)}$ $I_L = 40\text{ mA}$:	$V_{ON(CL)}$	41	47	53	V
Thermal overload trip temperature	T_{jt}	150	--	--	°C
Thermal hysteresis	ΔT_{jt}	--	10	--	K
Reverse battery (pin 4 to 2) ⁹⁾	$-V_{bb}$	--	--	32	V
Reverse battery voltage drop ($V_{out} > V_{bb}$) $I_L = -1.8\text{ A}$, each channel $T_j = 150\text{ °C}$:	$-V_{ON(rev)}$	--	610	--	mV

Diagnostic Characteristics

Open load detection current (on-condition) $T_j = -40\text{ °C}$: $T_j = 25\text{ ..}150\text{ °C}$:	$I_L(OL)$	10 10	-- --	200 150	mA
Open load detection voltage ¹⁰⁾ (off-condition) $T_j = -40\text{ ..}150\text{ °C}$:	$V_{OUT(OL)}$	2	3	4	V
Internal output pull down (pin 1 or 7 to 2), $V_{OUT} = 5\text{ V}$, $T_j = -40\text{ ..}150\text{ °C}$	R_O	4	10	30	kΩ

⁹⁾ Requires 150 Ω resistor in GND connection. The reverse load current through the intrinsic drain-source diode has to be limited by the connected load. Note that the power dissipation is higher compared to normal operating conditions due to the voltage drop across the intrinsic drain-source diode. The temperature protection is not active during reverse current operation! Input and Status currents have to be limited (see max. ratings page 2 and circuit page 8).

¹⁰⁾ External pull up resistor required for open load detection in off state.

Parameter and Conditions, each channel at $T_j = 25\text{ °C}$, $V_{bb} = 12\text{ V}$ unless otherwise specified	Symbol	Values			Unit
		min	typ	max	
Input and Status Feedback¹¹⁾					
Input resistance $T_j = -40..150\text{ °C}$, see circuit page 7	R_I	2.5	3.5	6	k Ω
Input turn-on threshold voltage  $T_j = -40..+150\text{ °C}$:	$V_{IN(T+)}$	1.7	--	3.5	V
Input turn-off threshold voltage  $T_j = -40..+150\text{ °C}$:	$V_{IN(T-)}$	1.5	--	--	V
Input threshold hysteresis	$\Delta V_{IN(T)}$	--	0.5	--	V
Off state input current (pin 3 or 6), $V_{IN} = 0.4\text{ V}$, $T_j = -40..+150\text{ °C}$	$I_{IN(off)}$	1	--	50	μA
On state input current (pin 3 or 6), $V_{IN} = 3.5\text{ V}$, $T_j = -40..+150\text{ °C}$	$I_{IN(on)}$	20	50	90	μA
Delay time for status with open load after switch off (other channel in off state) (see timing diagrams, page 12), $T_j = -40..+150\text{ °C}$	$t_{d(ST\ OL4)}$	100	320	800	μs
Delay time for status with open load after switch off (other channel in on state) (see timing diagrams, page 12), $T_j = -40..+150\text{ °C}$	$t_{d(ST\ OL5)}$	--	5	20	μs
Status invalid after positive input slope (open load) $T_j = -40 \dots +150\text{ °C}$:	$t_{d(ST)}$	--	200	600	μs
Status output (open drain)					
Zener limit voltage $T_j = -40\dots+150\text{ °C}$, $I_{ST} = +1.6\text{ mA}$:	$V_{ST(high)}$	5.4	6.1	--	V
ST low voltage $T_j = -40\dots+25\text{ °C}$, $I_{ST} = +1.6\text{ mA}$:	$V_{ST(low)}$	--	--	0.4	
$T_j = +150\text{ °C}$, $I_{ST} = +1.6\text{ mA}$:		--	--	0.6	

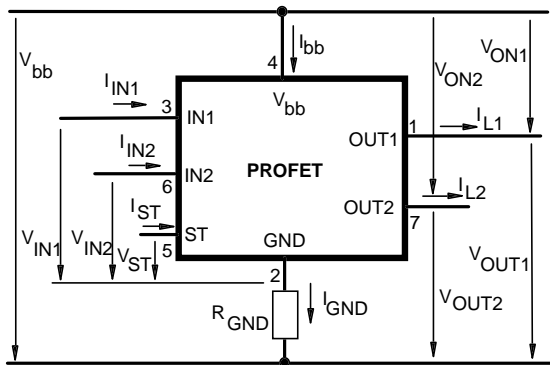
¹¹⁾ If a ground resistor R_{GND} is used, add the voltage drop across this resistor.

Truth Table

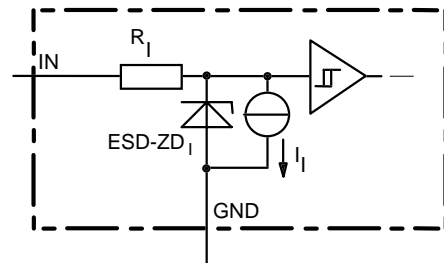
		IN1	IN2	OUT1	OUT2	ST BTS611L1	ST BTS612N1
Normal operation		L	L	L	L	H	H
		L	H	L	H	H	H
		H	L	H	L	H	H
		H	H	H	H	H	H
Open load	Channel 1	L	L	Z	L	H(L ¹²)	L
		L	H	Z	H	H	H
		H	X	H	X	L	H
	Channel 2	L	L	L	Z	H(L ¹²)	L
		H	L	H	Z	H	H
		X	H	X	H	L	H
Short circuit to V_{bb}	Channel 1	L	L	H	L	L ¹³	L
		L	H	H	H	H	H
		H	X	H	X	H(L ¹⁴)	H
	Channel 2	L	L	L	H	L ¹³	L
		H	L	H	H	H	H
		X	H	X	H	H(L ¹⁴)	H
Overtemperature	both channel	L	L	L	L	H	H
		X	H	L	L	L	L
		H	X	L	L	L	L
	Channel 1	L	X	L	X	H	H
		H	X	L	X	L	L
	Channel 2	X	L	X	L	H	H
X	H	X	L	L	L	L	
Undervoltage/ Overvoltage		X	X	L	L	H	H

L = "Low" Level X = don't care Z = high impedance, potential depends on external circuit
H = "High" Level Status signal after the time delay shown in the diagrams (see fig 5. page 12...13)

Terms



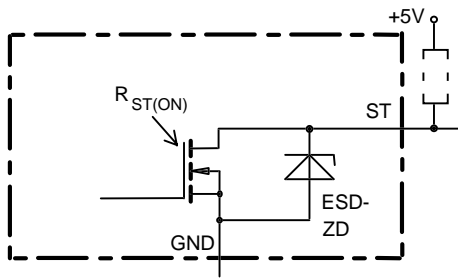
Input circuit (ESD protection)



ESD zener diodes are not to be used as voltage clamp at DC conditions. Operation in this mode may result in a drift of the zener voltage (increase of up to 1 V).

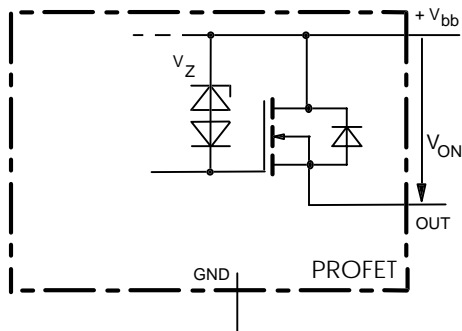
- 12) With additional external pull up resistor
- 13) An external short of output to V_{bb} , in the off state, causes an internal current from output to ground. If R_{GND} is used, an offset voltage at the GND and ST pins will occur and the $V_{ST\ low}$ signal may be errorious.
- 14) Low resistance to V_{bb} may be detected in the ON-state by the no-load-detection

Status output



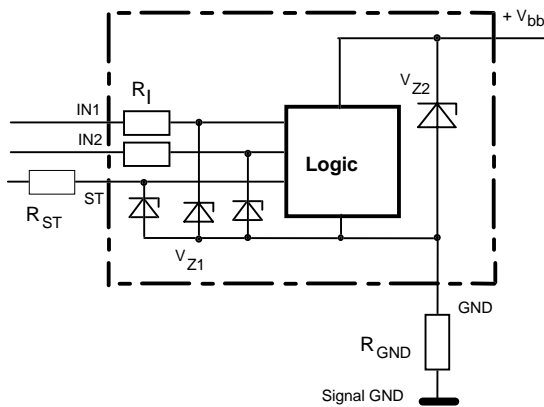
ESD-Zener diode: 6.1 V typ., max 5 mA;
 $R_{ST(ON)} < 380 \Omega$ at 1.6 mA, ESD zener diodes are not to be used as voltage clamp at DC conditions.
 Operation in this mode may result in a drift of the zener voltage (increase of up to 1 V).

Inductive and overvoltage output clamp



V_{ON} clamped to 47 V typ.

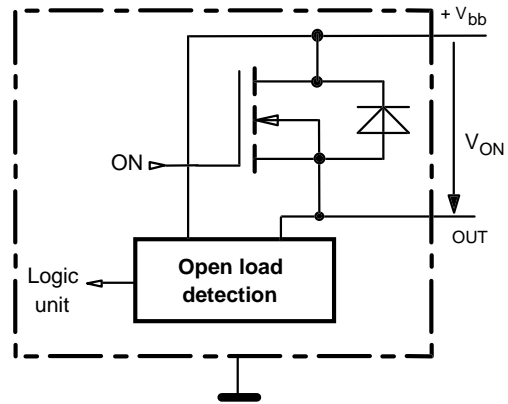
Overvolt. and reverse batt. protection



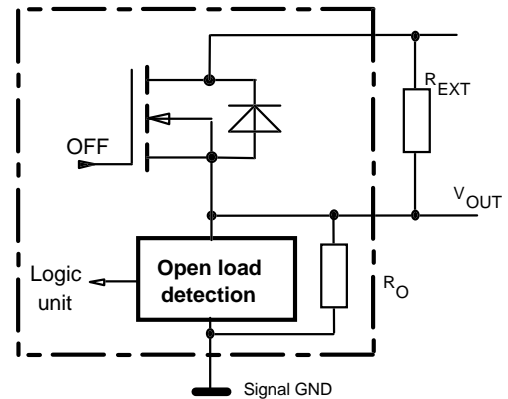
$V_{Z1} = 6.1 \text{ V typ.}$, $V_{Z2} = 47 \text{ V typ.}$, $R_1 = 3.5 \text{ k}\Omega \text{ typ.}$, $R_{GND} = 150 \Omega$

Open-load detection

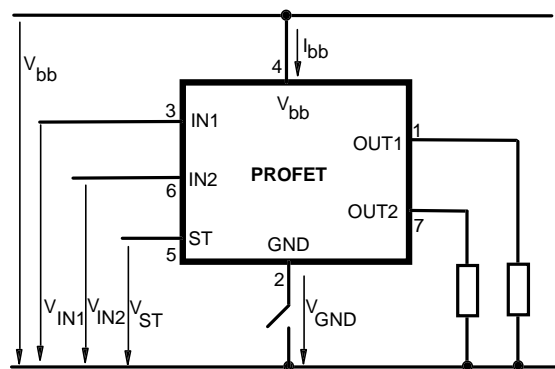
ON-state diagnostic condition: $V_{ON} < R_{ON} * I_{L(OL)}$; IN high



OFF-state diagnostic condition: $V_{OUT} > 3 \text{ V typ.}$; IN low

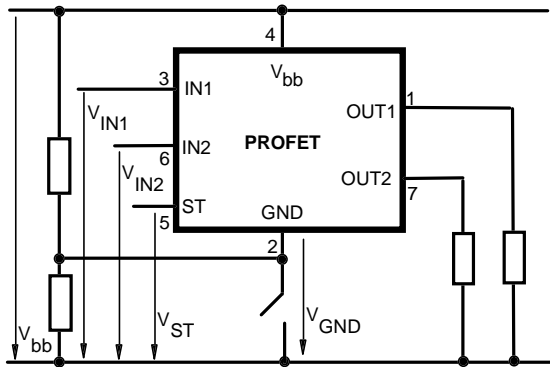


GND disconnect



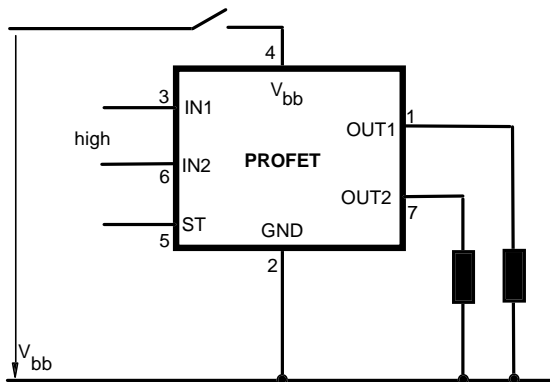
Any kind of load. In case of Input=high is $V_{OUT} \approx V_{IN} - V_{IN(T+)}$.
 Due to $V_{GND} > 0$, no $V_{ST} = \text{low signal}$ available.

GND disconnect with GND pull up



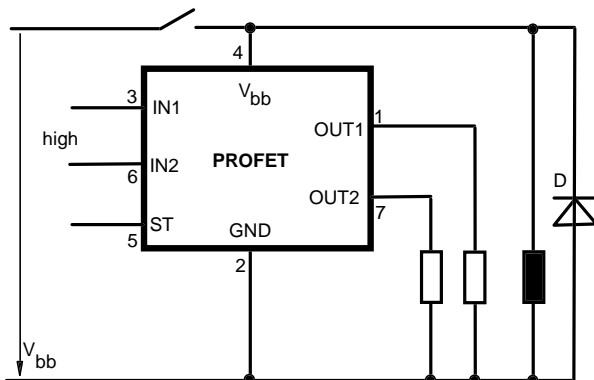
Any kind of load. If $V_{GND} > V_{IN} - V_{IN(T+)}$ device stays off
 Due to $V_{GND} > 0$, no $V_{ST} = \text{low}$ signal available.

V_{bb} disconnect with energized inductive load



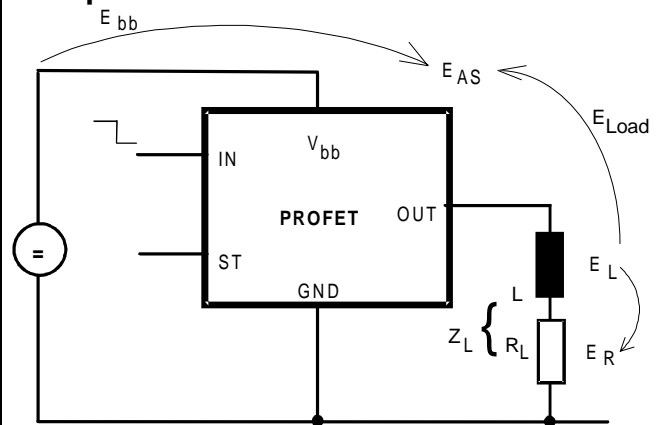
Normal load current can be handled by the PROFET itself.

V_{bb} disconnect with charged external inductive load



If other external inductive loads L are connected to the PROFET, additional elements like D are necessary.

Inductive Load switch-off energy dissipation



Energy stored in load inductance:

$$E_L = \frac{1}{2} \cdot L \cdot I_L^2$$

While demagnetizing load inductance, the energy dissipated in PROFET is

$$E_{AS} = E_{bb} + E_L - E_R = \int V_{ON(CL)} \cdot i_L(t) dt,$$

with an approximate solution for $R_L > 0 \Omega$:

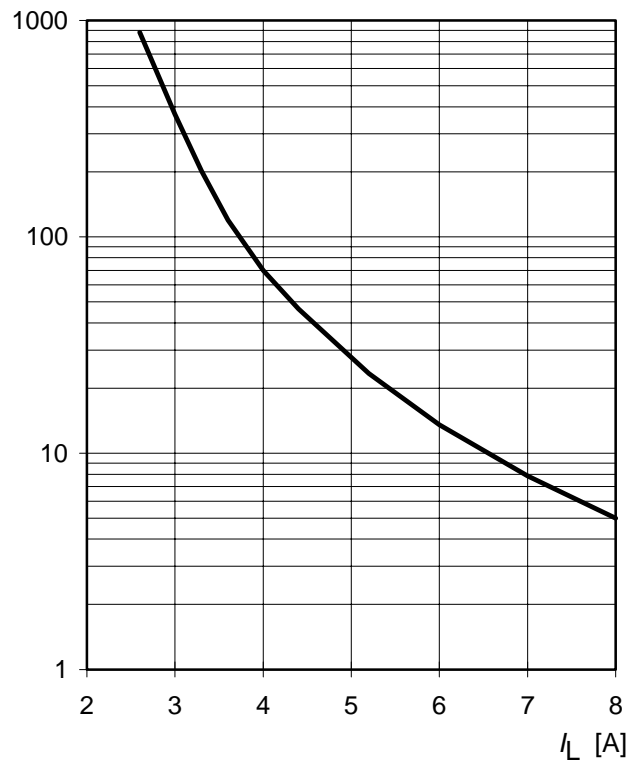
$$E_{AS} = \frac{I_L \cdot L}{2 \cdot R_L} \cdot (V_{bb} + |V_{OUT(CL)}|) \cdot \ln \left(1 + \frac{I_L \cdot R_L}{|V_{OUT(CL)}|} \right)$$

Maximum allowable load inductance for a single switch off (both channels parallel)

$L = f(I_L)$; $T_{j,start} = 150^\circ\text{C}$, $T_C = 150^\circ\text{C}$ const.,

$V_{bb} = 12\text{ V}$, $R_L = 0 \Omega$

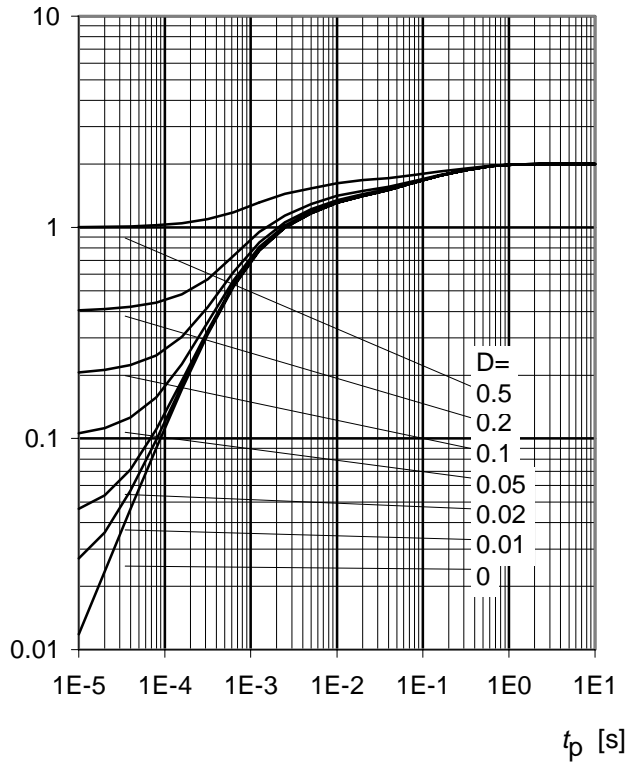
L [mH]



Typ. transient thermal impedance chip case

$Z_{thJC} = f(t_p)$, one Channel active

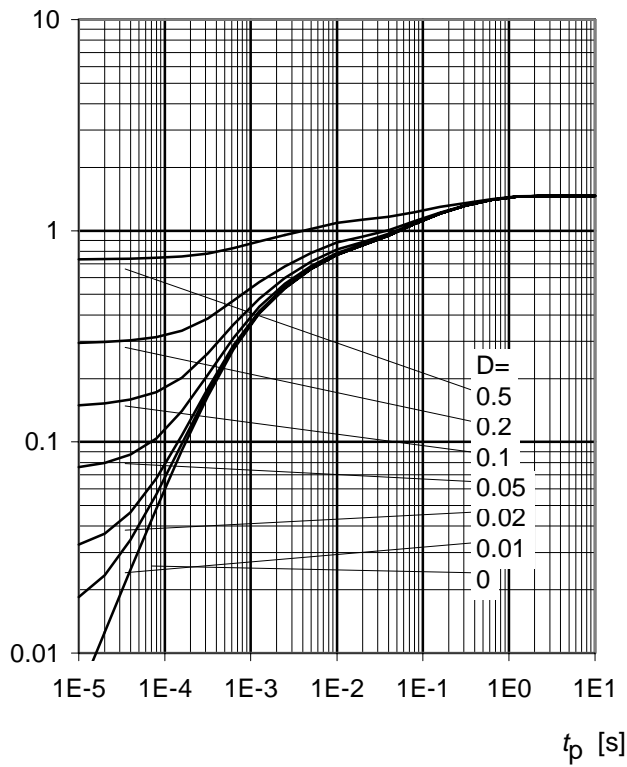
Z_{thJC} [K/W]



Typ. transient thermal impedance chip case

$Z_{thJC} = f(t_p)$, both Channel active

Z_{thJC} [K/W]



Timing diagrams

Both channels are symmetric and consequently the diagrams are valid for each channel as well as for permuted channels

Figure 1a: V_{bb} turn on:

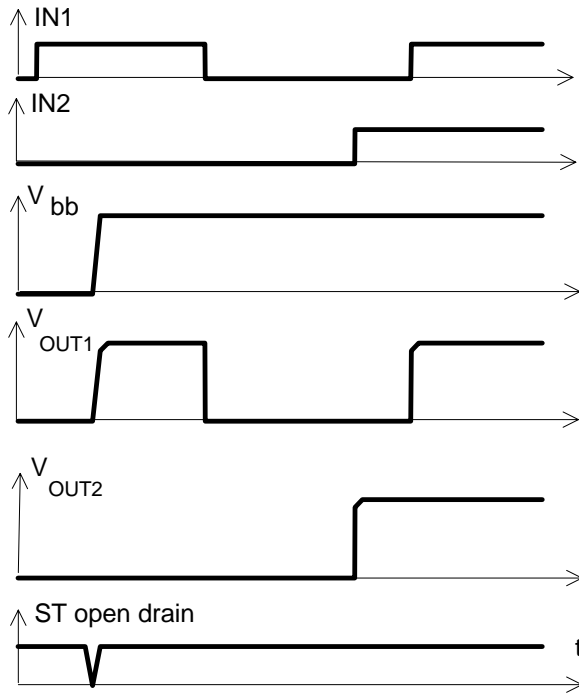


Figure 2a: Switching a lamp:

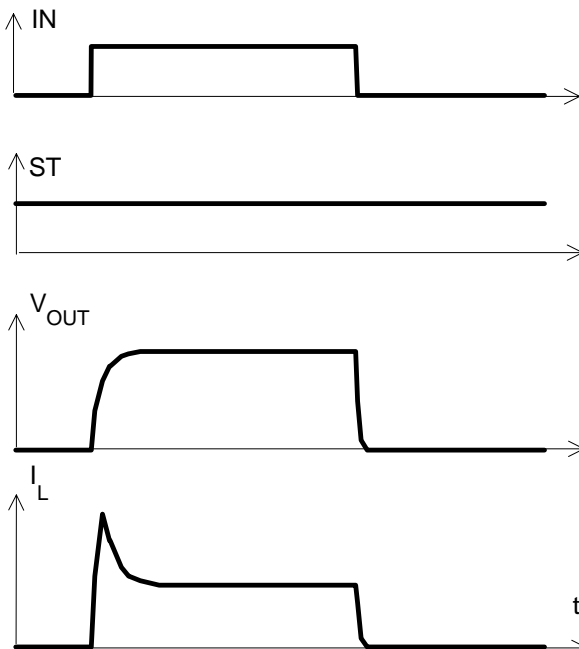
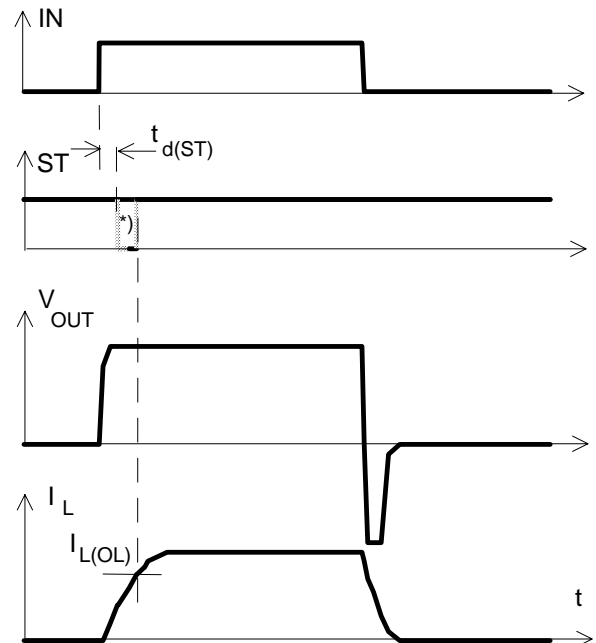
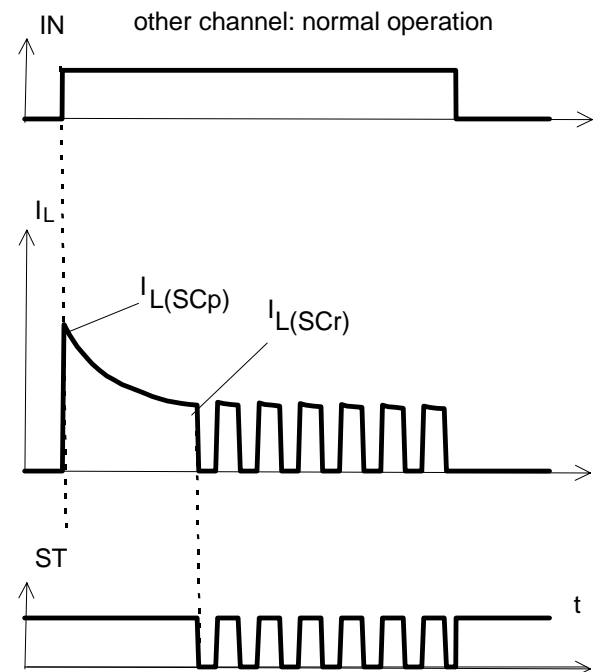


Figure 2b: Switching an inductive load



*) if the time constant of load is too large, open-load-status may occur

Figure 3a: Short circuit shut down by overtemperature, reset by cooling



Heating up may require several milliseconds, depending on external conditions

Figure 4a: Overtemperature:
Reset if $T_j < T_{jt}$

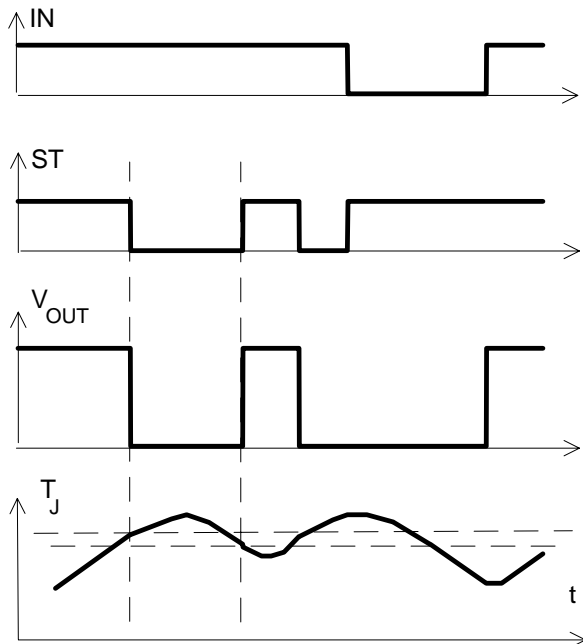


Figure 5a: Open load: detection in ON-state, open load occurs in on-state

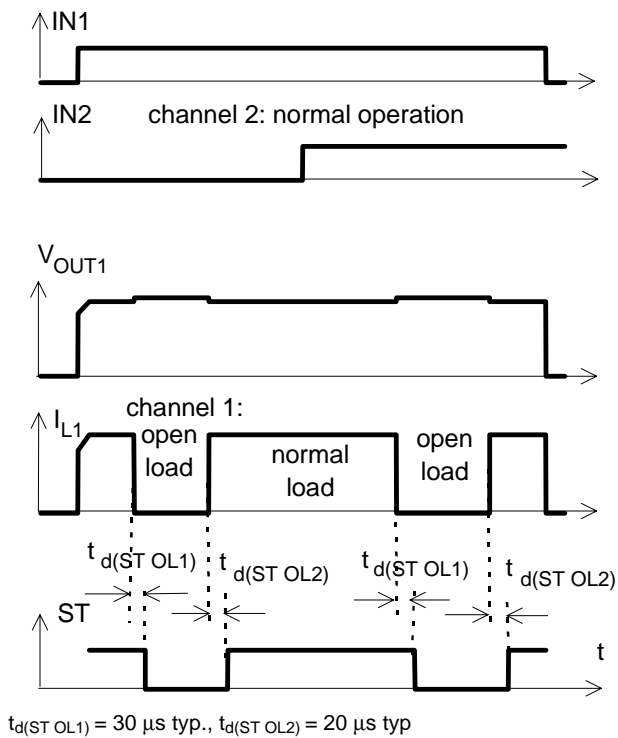


Figure 5b: Open load: detection in ON-state, turn on/off to open load

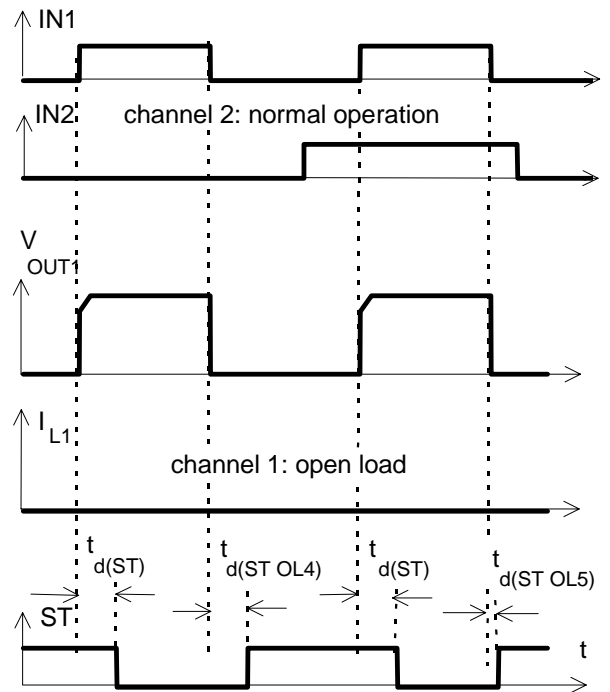


Figure 5c: Open load: detection in ON- and OFF-state (with R_{EXT}), turn on/off to open load

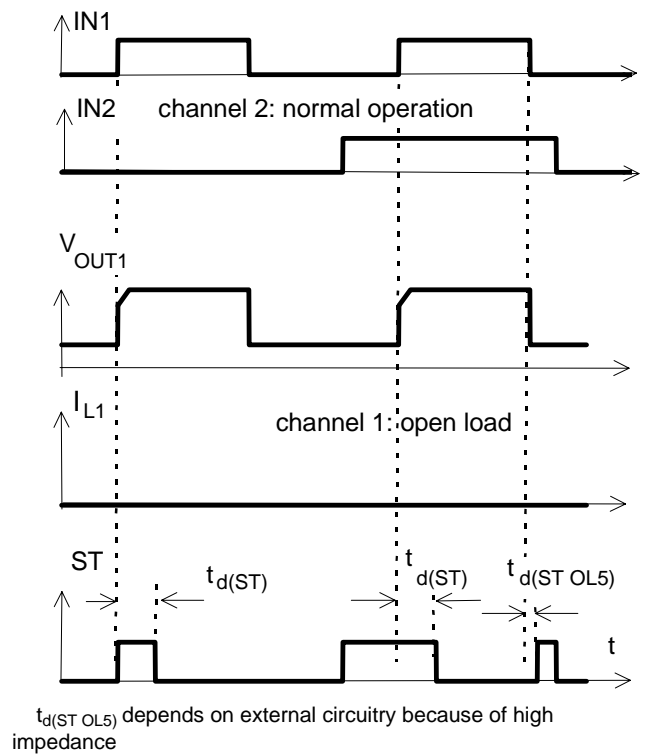


Figure 6a: Undervoltage:

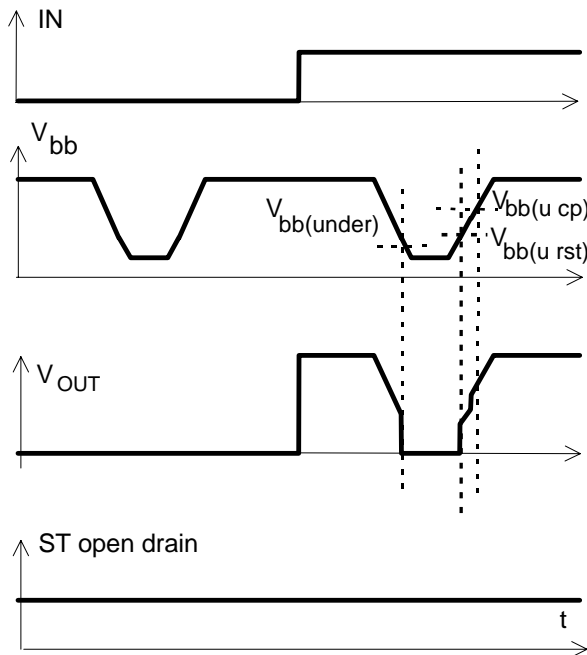


Figure 7a: Overvoltage:

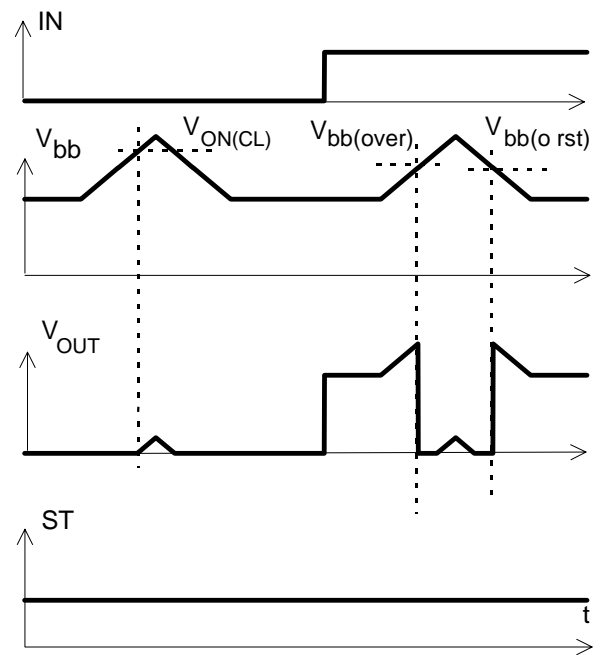
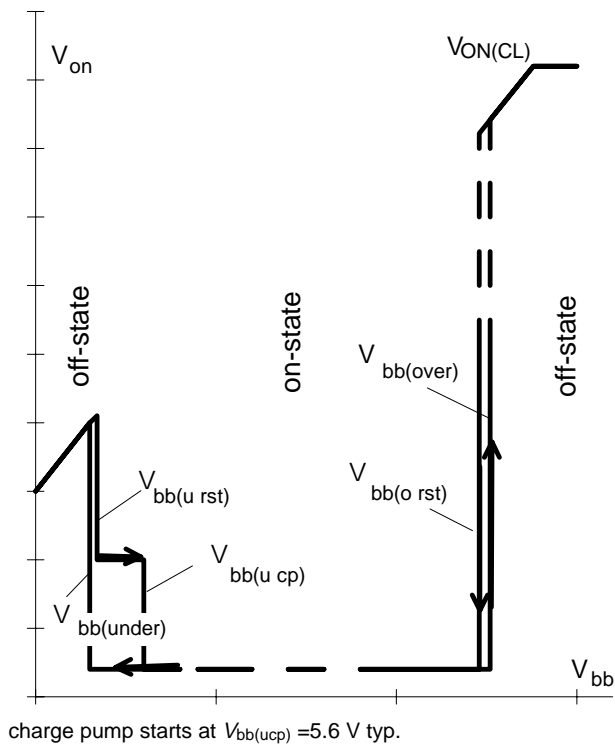


Figure 6b: Undervoltage restart of charge pump

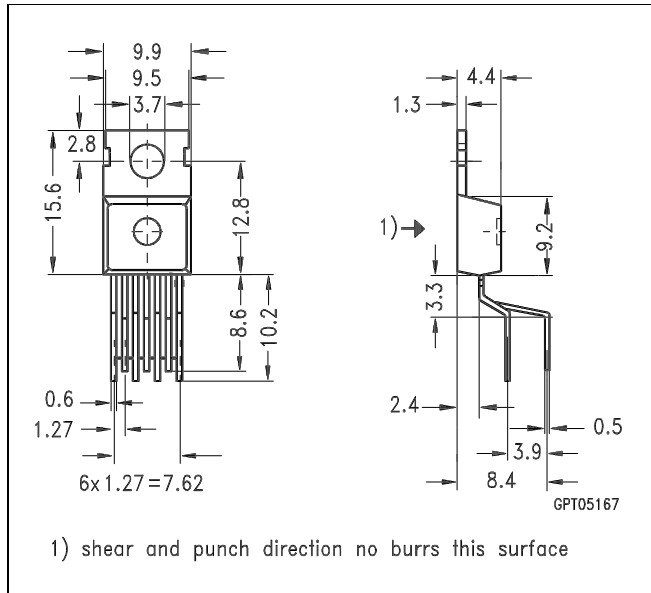


Package and Ordering Code

All dimensions in mm

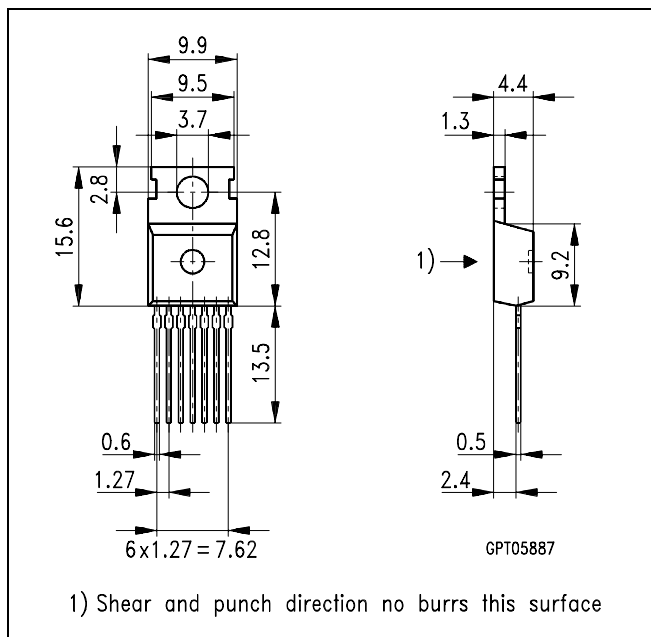
Standard TO-220AB/7 Ordering code

BTS611L1	Q67060-S6302-A2
----------	-----------------



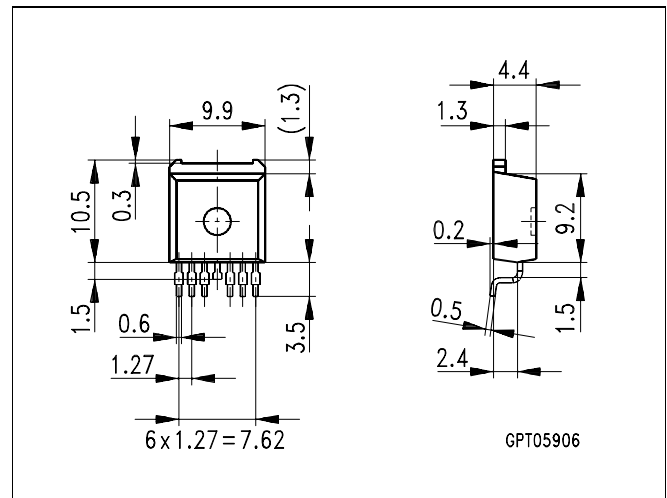
TO 220AB/7, Opt. E3230 Ordering code

BTS611L1 E3230	Q67060-S6302-A3
----------------	-----------------



SMD TO 220AB/7, Opt. E3128 Ordering code

BTS611L1 E3128A	T&R: Q67060-S6302-A4
-----------------	----------------------



Changed since 04.96

Date	Change
Dec 1996	$t_{d(ST\ OL4)}$ max reduced from 1500 to 800 μ s, typical from 400 to 320 μ s, min limit unchanged
	E_{AS} maximum rating and diagram and Z_{thJC} diagram added
	ESD capability increased
	Typ. reverse battery voltage drop - $V_{ON(rev)}$ added

Components used in life-support devices or systems must be expressly authorised for such purpose! Critical components¹⁵⁾ of the Semiconductor Group of Siemens AG, may only be used in life supporting devices or systems¹⁶⁾ with the express written approval of the Semiconductor Group of Siemens AG.

- 15) A critical component is a component used in a life-support device or system whose failure can reasonably be expected to cause the failure of that life-support device or system, or to affect its safety or effectiveness of that device or system.
- 16) Life support devices or systems are intended (a) to be implanted in the human body or (b) support and/or maintain and sustain and/or protect human life. If they fail, it is reasonably to assume that the health of the user or other persons may be endangered.

This datasheet has been download from:

www.datasheetcatalog.com

Datasheets for electronics components.