



SANYO Semiconductors DATA SHEET

LA4227 — Monolithic Linear IC Audio Output for Radio Cassette Recorders 3W × 2ch Power Amplifier

Overview

LA4227 is a 3W 2-channel power amplifier.

This IC requires few external components and is ideal for power amplifier used for radio cassette players/recorders.

Functions

- 3W × 2 channel ($V_{CC} = 9V$, $R_L = 3\Omega$)
- Standby switch on chip
- Thermal shutdown protector on chip

Maximum Ratings at $T_a = 25^\circ\text{C}$

Parameter	Symbol	Conditions	Ratings	Unit
Maximum supply voltage	$V_{CC \text{ max}}$	$R_g = 0$ (No signal)	20	V
Allowable power dissipation	$P_d \text{ max}$	Arbitrarily large heat sink	4.0	W
Operating temperature	T_{opr}		-20 to +75	$^\circ\text{C}$
Storage temperature	T_{stg}		-55 to +150	$^\circ\text{C}$

Operating Conditions at $T_a = 25^\circ\text{C}$

Parameter	Symbol	Conditions	Ratings	unit
Recommended supply voltage	V_{CC}		9	V
Operating voltage range	$V_{CC \text{ op}}$	Not exceeding the maximum ratings	4.2 to 18	V
Operating load resistance range	$R_L \text{ op}$		3 to 8	Ω
		Bridge	8	Ω

■ Any and all SANYO products described or contained herein do not have specifications that can handle applications that require extremely high levels of reliability, such as life-support systems, aircraft's control systems, or other applications whose failure can be reasonably expected to result in serious physical and/or material damage. Consult with your SANYO representative nearest you before using any SANYO products described or contained herein in such applications.

■ SANYO assumes no responsibility for equipment failures that result from using products at values that exceed, even momentarily, rated values (such as maximum ratings, operating condition ranges, or other parameters) listed in products specifications of any and all SANYO products described or contained herein.

LA4227

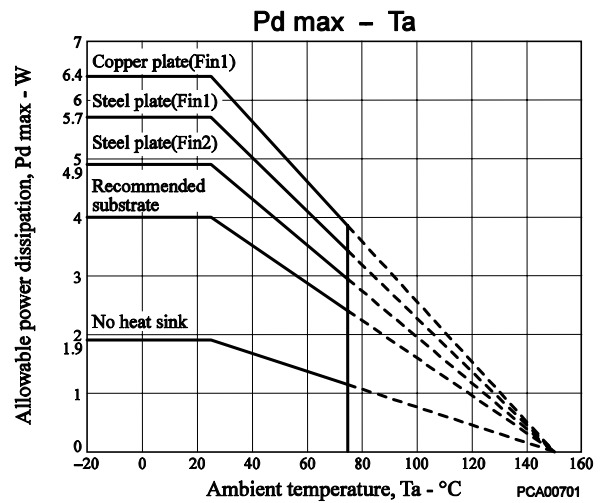
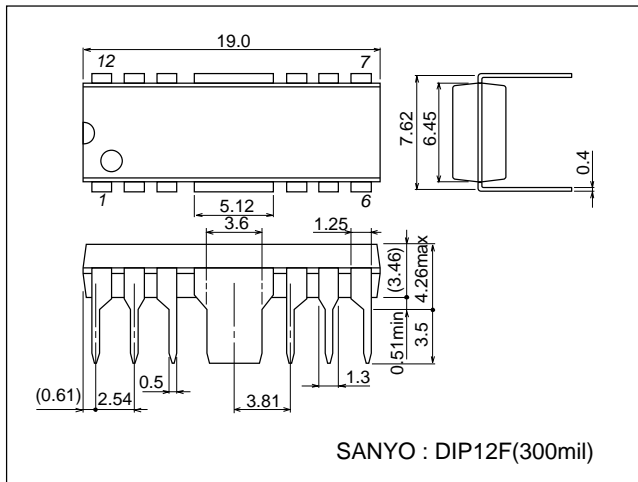
Electrical Characteristics at $T_a = 25^\circ\text{C}$, $V_{CC} = 9\text{V}$, $R_L = 4\Omega$, $f = 1\text{kHz}$, $R_g = 600\Omega$, $R_{NF} = 43\Omega$

Parameter	Symbol	Conditions	Ratings			Unit
			min	typ	max	
Quiescent current	I_{CCO}	$R_g = 0$	10	20	40	mA
Voltage gain	VG	$V_O = 0\text{dBm}$	43.0	45.0	47.0	dB
Voltage gain difference	ΔVG				2.0	dB
Total harmonic distortion	THD	$P_O = 0.25\text{W}$ ($V_O = 1\text{V}$)		0.2	1.0	%
Output power	P_{O1}	THD = 10%	2.0	2.5		W
	P_{O2}	$R_L = 3\Omega$, THD = 10%		3.0		W
	P_{O3}	Bridge, $R_L = 8\Omega$, THD = 10%		(4.7)		W
Output noise voltage	V_{NO1}	$R_g = 0$, DIN AUDIO		0.3	1.0	mV
	V_{NO2}	$R_g = 10\text{k}\Omega$, DIN AUDIO		0.4	2.0	mV
Channel separation	Chsep	$V_O = 0\text{dBm}$, $R_g = 10\text{k}\Omega$	45	55		dB
Ripple rejection	SVRR	$V_r = 150\text{mV}$, $R_g = 0$, $f_r = 100\text{Hz}$, DIN AUDIO	40	52		dB
Standby current	Ist				10	μA
Input resistance	R_i		21	30		$\text{k}\Omega$

Package Dimensions

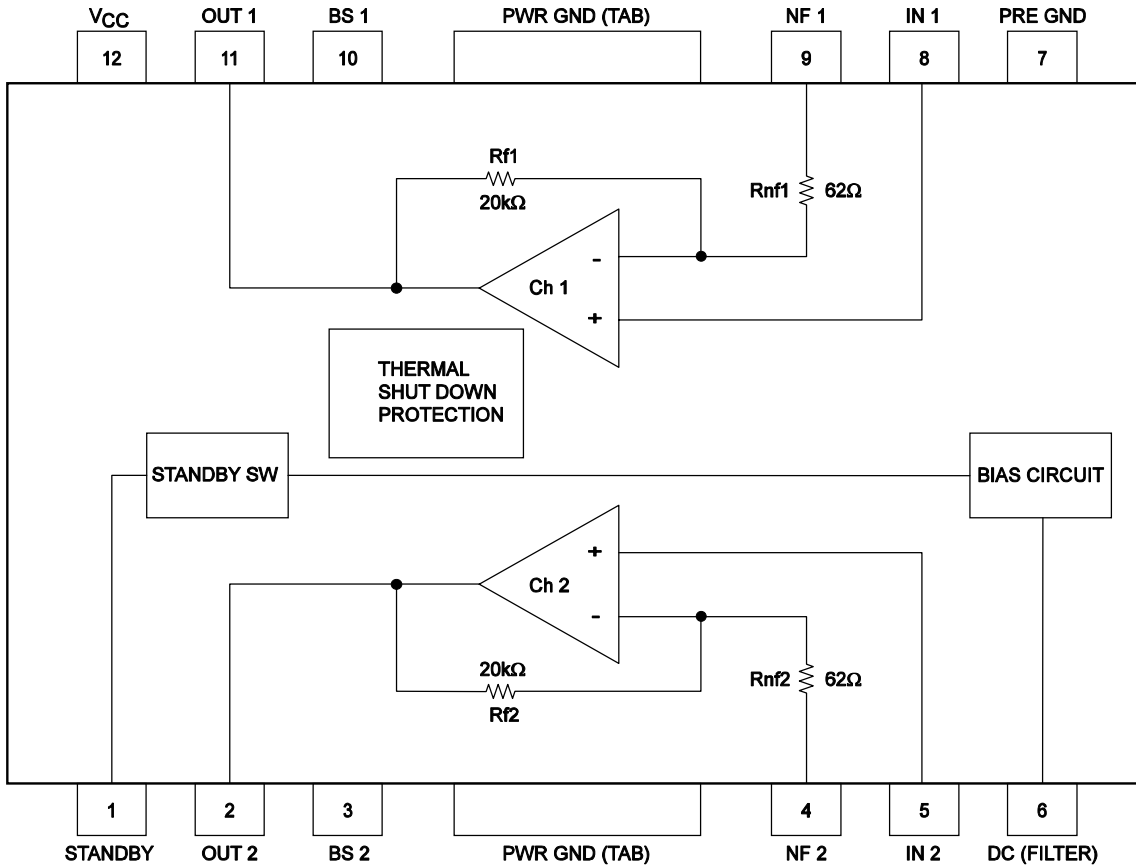
unit : mm

3022B

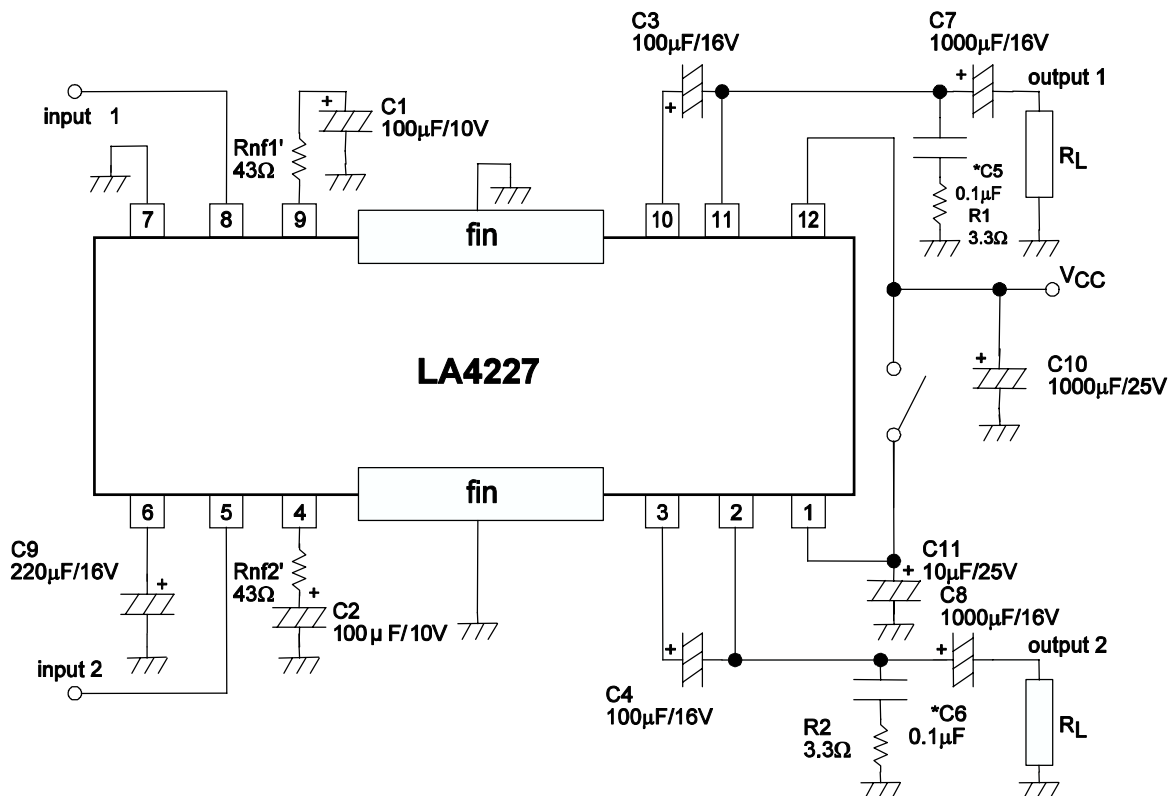


LA4227

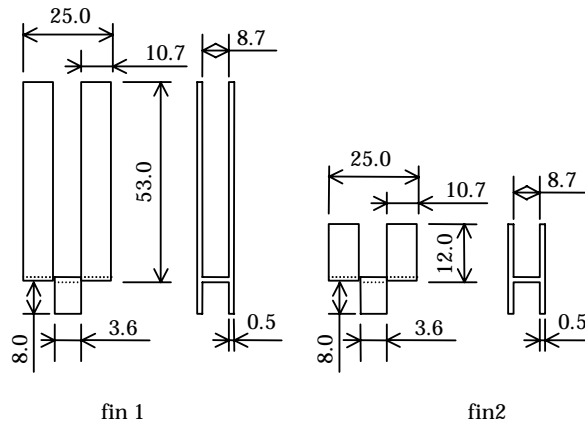
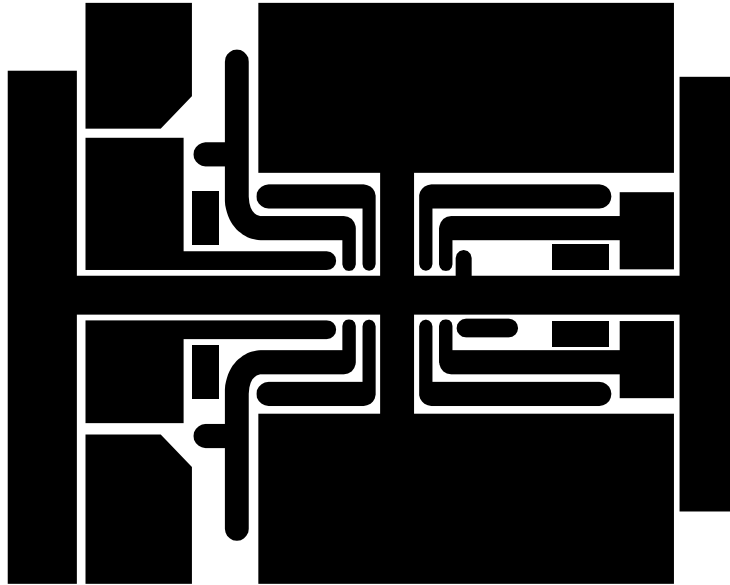
Block Diagram



Application Circuit Example



Recommended board Cu-foiled pattern (Actual size)



- Specifications of any and all SANYO products described or contained herein stipulate the performance, characteristics, and functions of the described products in the independent state, and are not guarantees of the performance, characteristics, and functions of the described products as mounted in the customer's products or equipment. To verify symptoms and states that cannot be evaluated in an independent device, the customer should always evaluate and test devices mounted in the customer's products or equipment.
- SANYO Electric Co., Ltd. strives to supply high-quality high-reliability products. However, any and all semiconductor products fail with some probability. It is possible that these probabilistic failures could give rise to accidents or events that could endanger human lives, that could give rise to smoke or fire, or that could cause damage to other property. When designing equipment, adopt safety measures so that these kinds of accidents or events cannot occur. Such measures include but are not limited to protective circuits and error prevention circuits for safe design, redundant design, and structural design.
- In the event that any or all SANYO products (including technical data, services) described or contained herein are controlled under any of applicable local export control laws and regulations, such products must not be exported without obtaining the export license from the authorities concerned in accordance with the above law.
- No part of this publication may be reproduced or transmitted in any form or by any means, electronic or mechanical, including photocopying and recording, or any information storage or retrieval system, of otherwise, without the prior written permission of SANYO Electric Co., Ltd.
- Any and all information described or contained herein are subject to change without notice due to product/technology improvement, etc. When designing equipment, refer to the "Delivery Specification" for the SANYO product that you intend to use.
- Information (including circuit diagrams and circuit parameters) herein is for example only; it is not guaranteed for volume production. SANYO believes information herein is accurate and reliable, but no guarantees are made or implied regarding its use or any infringements of intellectual property rights or other rights of third parties.

This catalog provides information as of April, 2006. Specifications and information herein are subject to change without notice.