

## **DESCRIPTION**

PT6315 is a Vacuum Fluorescent Display (VFD) Controller driven on a 1/4 to 1/12 duty factor. Sixteen segment output lines, 4 grid output lines, 8 segment/grid output drive lines, one display memory, control circuit, key scan circuit are all incorporated into a single chip to build a highly reliable peripheral device for a single chip micro computer. Serial data is fed to PT6315 via a three-line serial interface. It is housed in a 44-pin LQFP Package.

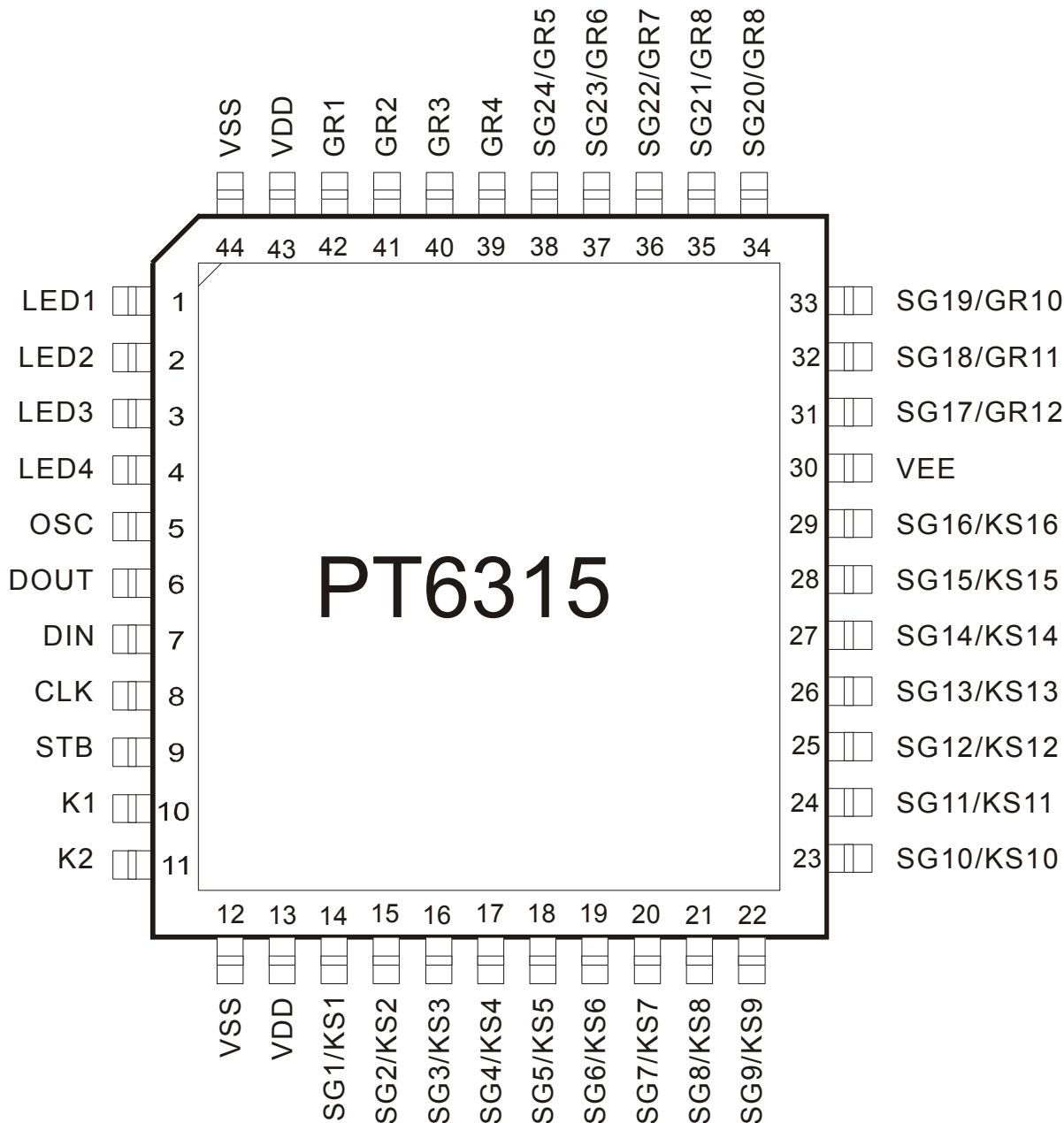
## **FEATURES**

- CMOS Technology
- Low Power Consumption
- Key Scanning (16 x 2 matrix)
- Multiple Display Modes: (16 segments, 12 digits to 24 segments, 4 digits)
- 8-Step Dimming Circuitry
- LED Ports Provide (4 channels, 20 mA max.)
- Serial Interface for Clock, Data Input, Data Output, Strobe Pins
- No External Resistors Needed for Driver Outputs
- Available in 44-pin LQFP Package

## **APPLICATIONS**

- Microcomputer Peripheral Devices

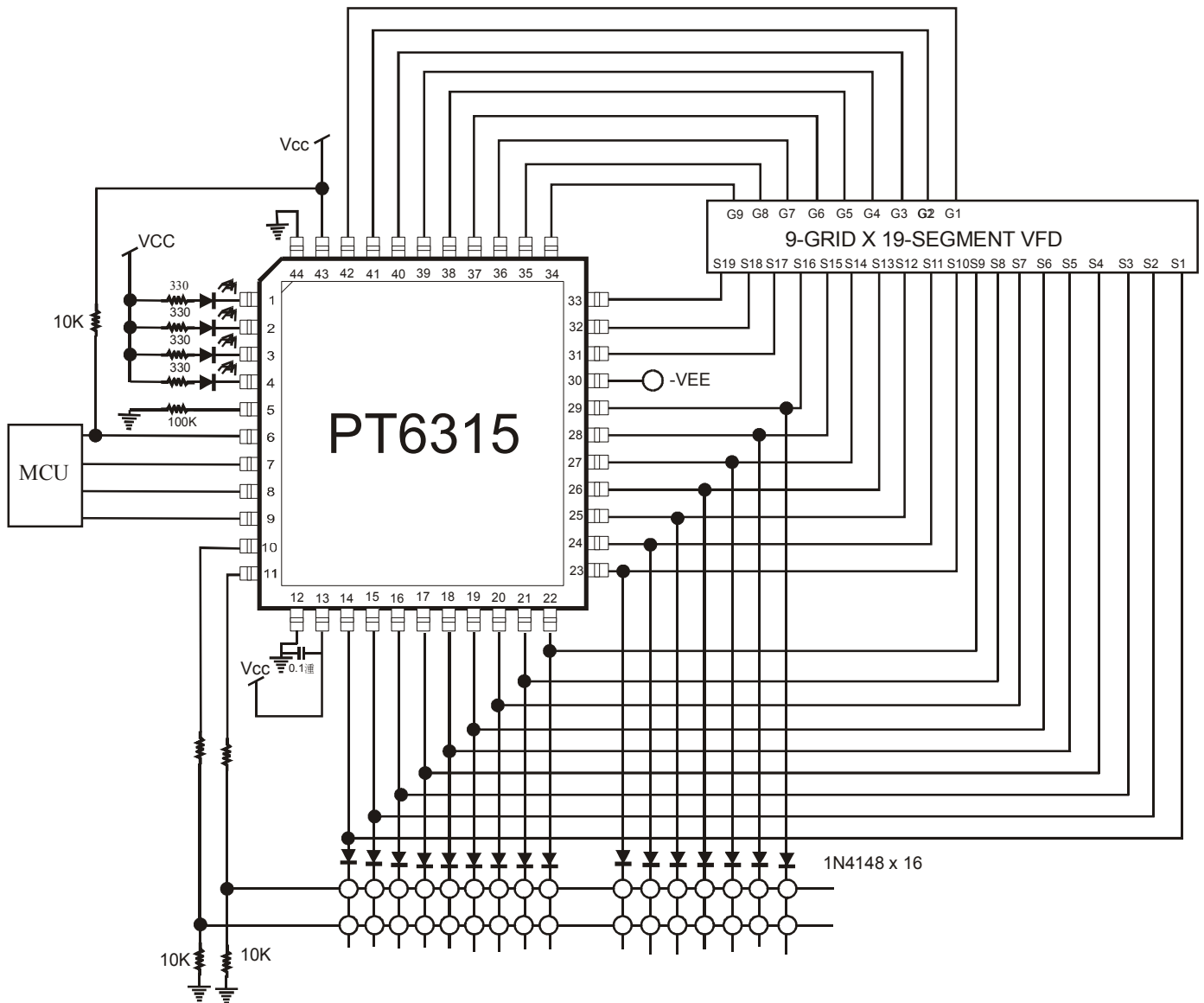
## PIN CONFIGURATION 44-PIN LQFP



**Figure 2: PT6315 LQFP Pin Configuration**

# APPLICATION CIRCUIT

## 44 PIN LQFP



**Figure 19: PT6315 Application Circuit**

Note: The capacitor (0.1μF) connected between the GND and the VDD pins must be located as close as possible to the PT6315 chip.

## ORDER INFORMATION

Order Part Number	Package Type	Top Code
PT6315	44 pin LQFP	PT6315
PT6315 (L)	44 pin LQFP	PT6315

Notes:

1. (L) = Lead Free
2. The Lead Free mark is put in front of the date code.