

SAMSUNG
CHASSIS: US60A
MOD- CX5330AN

HOT

COLD

15V

5V

17V

125V

33V

START

B+

STR - S6309

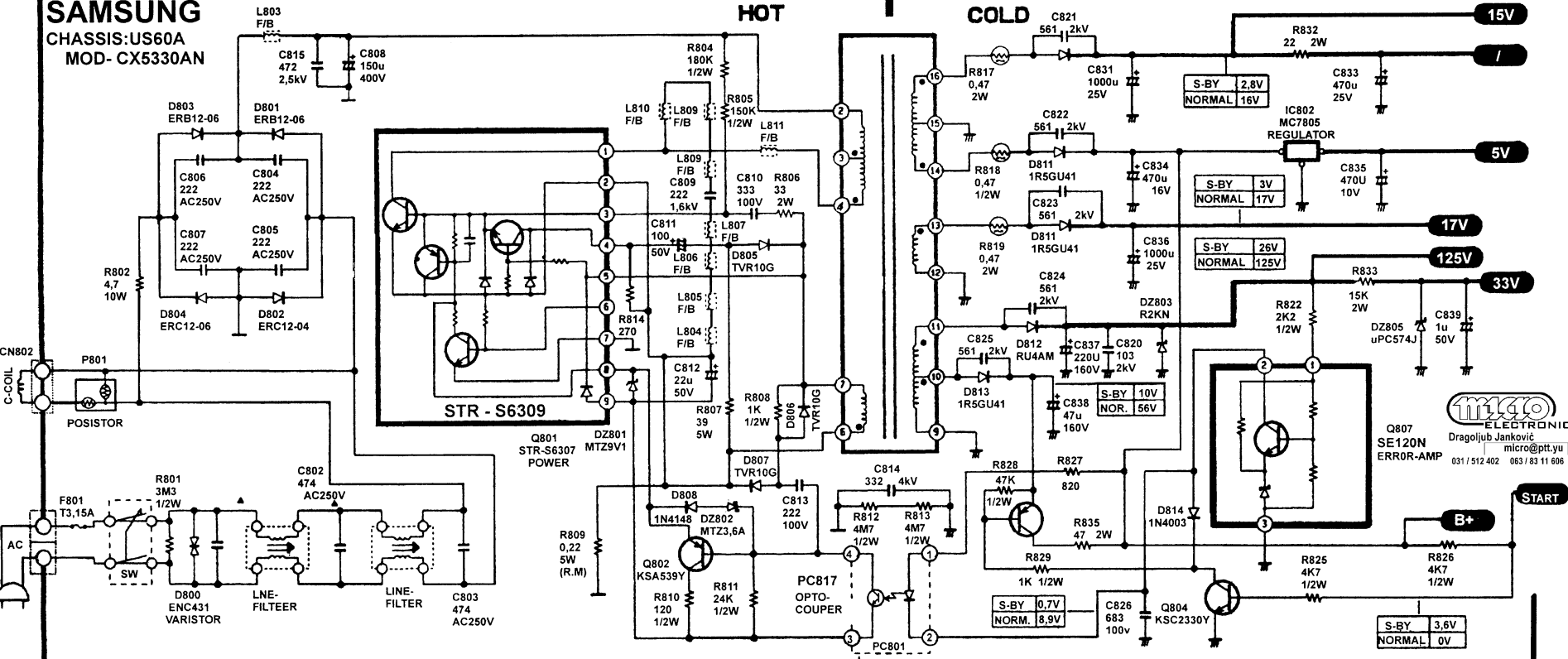
Q801 STR-S6307
DZ801 MTZ9V1
POWER

PC817
**OPTO-
COUPER**

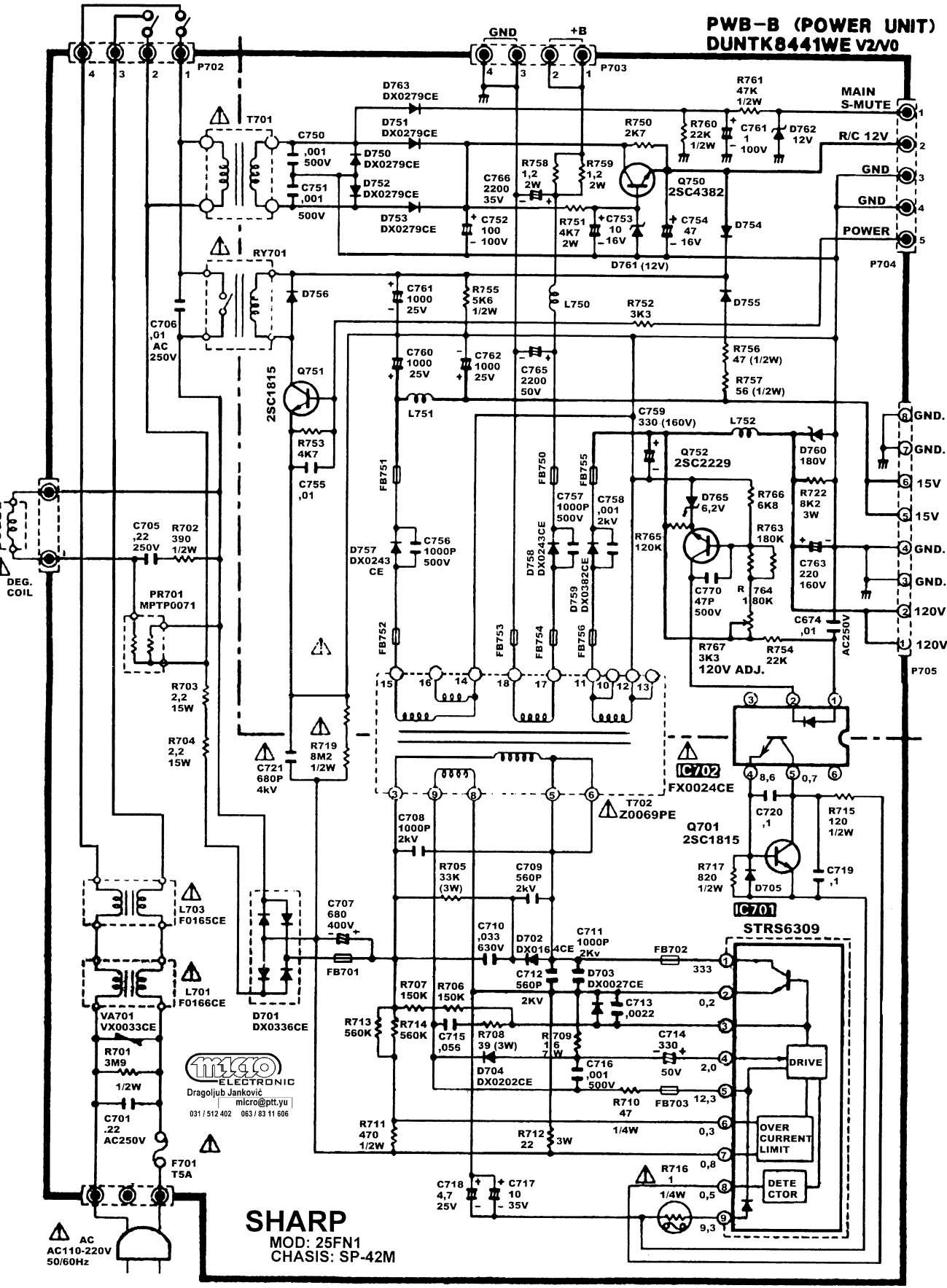
IC802
MC7805
REGULATOR

Q807
SE120N
ERROR-AMP

micro
ELECTRONIC
Dragoljub Janković
micro@ptt.yu
031/512.402 063/83.11.606



**PWB-B (POWER UNIT)
DUNT8441WE V2/V0**



SHARP
MOD: 25FN1
CHASIS: SP-42M

micro ELECTRONIC
Dragoljub Jankovic
micro@ptt.yu
031/512 402 063/83 11 606

AC
AC110-220V
50/60Hz