

CHECK	1
CHECK	2

BG. COIL 1	1
DG. COIL 2	2
DG. COIL 2	3

AC 2	3
NC	2
AC 1	1

1	35V
2	AU. GND

1	135V
2	NC
3	GND
4	GND
5	ST. BY
6	7V
7	15V A
8	42V
9	12V
10	NC
11	GND

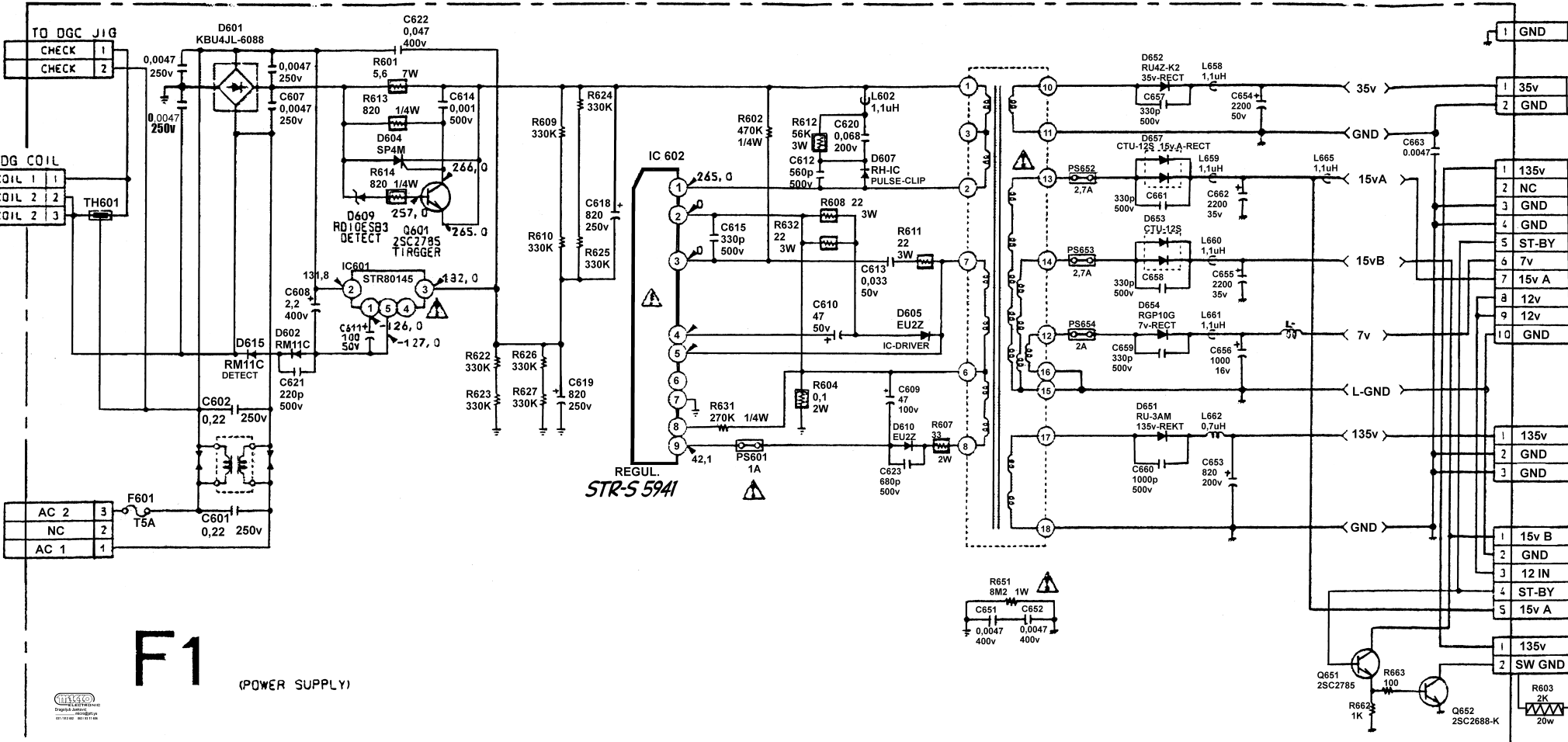
1	135V
2	GND
3	GND

1	15V B
2	GND
3	12V IN
4	ST. BY
5	15V A

**micro ELECTRONIC**  
 Dragoljub Janković  
 micro@ptt.yu  
 031/512 402 063/83 11 606



**STR - S5941**  
**IC602**



# F1

(POWER SUPPLY)

