

STK3041,3061 3081,3101

thick film hybrid IC

VOLTAGE AMP. FOR 30 to 100W
AF POWER AMP.

Features

- Load short detection
- Built-in muting transistor

TENTATIVE
Notice: Some specifications
are subject to change.

MAXIMUM RATINGS / T_a=25°C

	STK 3041	STK 3061	STK 3081	STK 3101	unit
Maximum Supply Voltage	V _{CC}	±55	±59	±65	±75
Operating Case Temperature	T _C	→	→	→	115 °C
Storage Temperature	T _{stg}	→	→	→	-30 to +115 °C

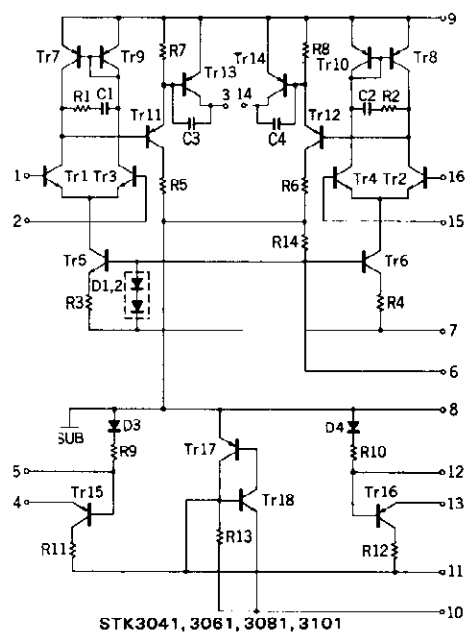
RECOMMENDED OPERATING CONDITIONS / T_a=25°C

	STK 3041	STK 3061	STK 3081	STK 3101	unit
Recommended Supply Voltage	V _{CC}	±36	±41	±47	±50
Load Resistance	R _L	→	→	→	∞ ohm

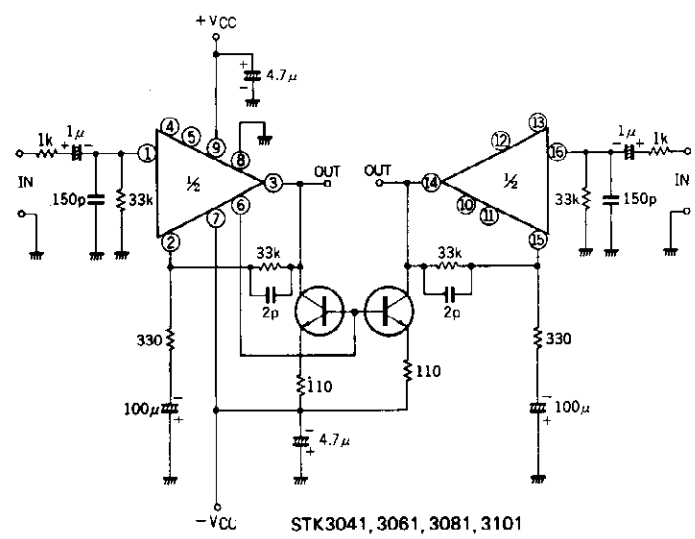
OPERATING CHARACTERISTICS / T_a=25°C, V_G=40dB

	STK 3041	STK 3061	STK 3081	STK 3101	unit
Current Dissipation	I _{CC}	30	35	40	40 mA max
Middle Point Voltage	V _N	→	→	→	-70 to +70 mV
Output Noise Voltage	V _{NO}	→	→	→	1.0 mV max
Input Impedance	V _i	→	→	→	33k ohm
Total Harmonic Distortion	THD	→	→	→	0.01 % max

EQUIVALENT CIRCUIT



APPLICATION



www.DataSheet4U.com