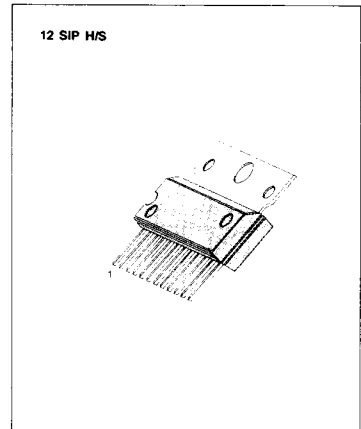


4.5W DUAL POWER AMPLIFIER

The KA22062 is a monolithic integrated circuit consisting of a dual power amplifier. It is suitable for portable radio cassette recorders.

FEATURES

- Dual power amplifier: 4.5W × 2 (Typ)
- Low quiescent circuit current; $I_{CC} = 19\text{mA}$ (Typ)
- High output
- Small pop noise at the power on
- Minimum external parts required
- Supply voltage range: $V_{CC} = 6\text{V} \sim 15\text{V}$
- Including the thermal protection circuit
- Connect H/S to GND



BLOCK DIAGRAM

ORDERING INFORMATION

Device	Package	Operating Temperature
KA22062S	12 SIP H/S	- 20 ~ + 70°C
KA22062G	PELLET	

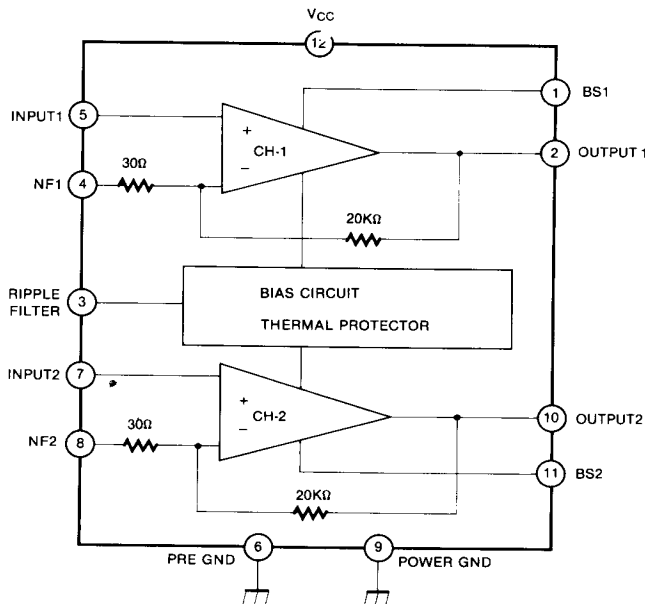


Fig. 1

ABSOLUTE MAXIMUM RATINGS (Ta = 25°C)

Characteristic	Symbol	Value	Unit
Supply Voltage	V _{CC}	16	V
Output Current (1CH)	I _o (peak)	2.5	A
Power Dissipation	P _d	12.5	W
Operating Temperature	T _{opr}	-20 ~ +70	°C
Storage Temperature	T _{stg}	-40 ~ +150	°C

ELECTRICAL CHARACTERISTICS

(Ta = 25°C, V_{CC} = 9V, R_L = 4Ω, f = 1KHz, R_g = 600Ω, unless otherwise specified)

Characteristic	Symbol	Test Conditions	Min	Typ	Max	Unit
Quiescent Circuit Current	I _{CC}	V _i = 0		19	45	mA
Output Power	P _O	THD = 10%	2.0	2.5		W
		THD = 10%, V _{CC} = 12V		4.5		W
Total Harmonic Distortion	THD	P _o = 1W		0.2	1.0	%
Voltage Gain (Closed Loop)	A _V	R _i = 82Ω, V _o = 0.775V	43	45	47	dB
		R _i = 0Ω, V _o = 0.775V		56		dB
Input Resistance	R _i			30		KΩ
Output Noise Voltage	V _{NO}	R _g = 10KΩ, BW(-3dB) = 20Hz ~ 20KHz		0.3	1.0	mV
Ripple Rejection Ratio	RR	R _g = 600Ω, f = 120Hz, V _r = 300mV		54		dB
Cross Talk	CT	R _g = 10KΩ, V _o = 0dBm		60		dB
Input Offset Voltage	V ₅ , V ₇			20	60	mV

TEST CIRCUIT

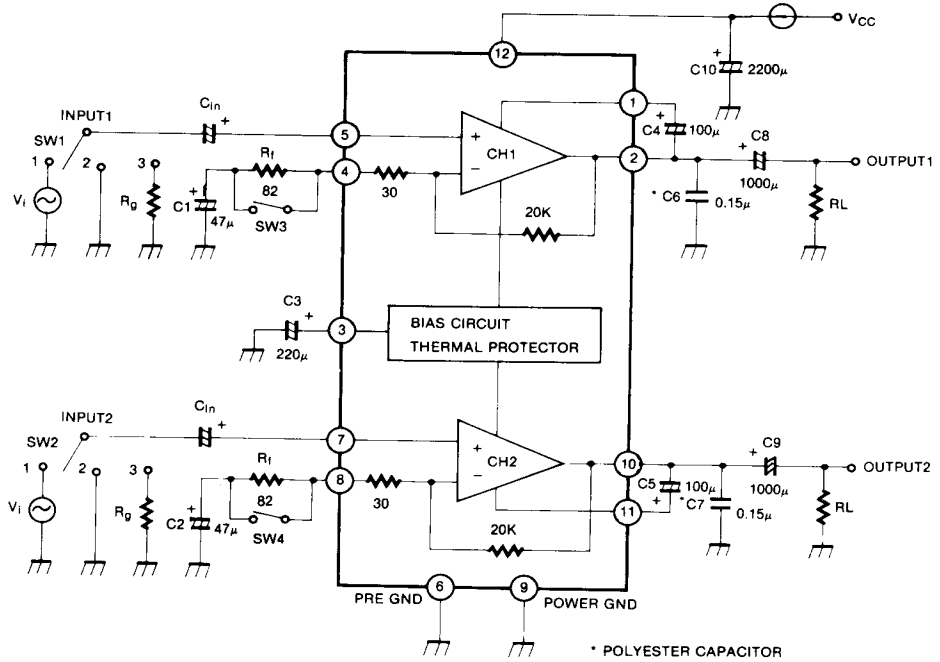
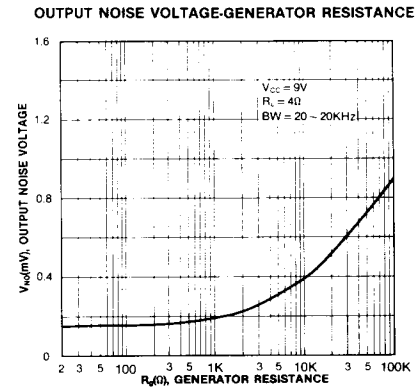
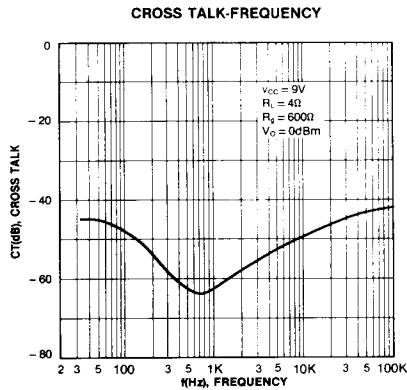
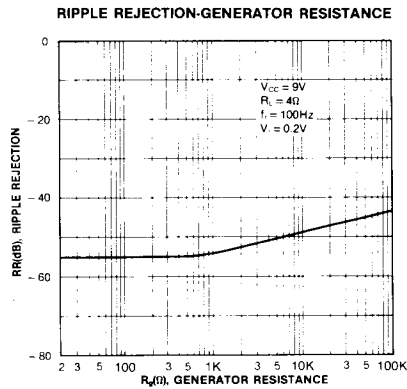
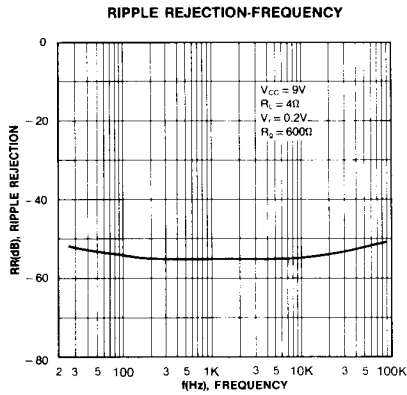
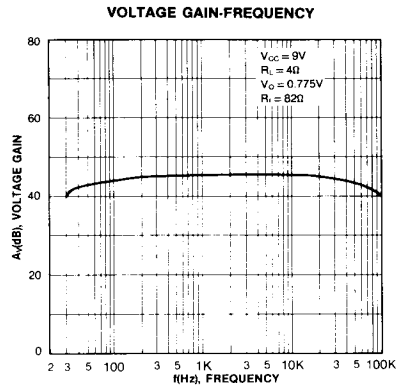
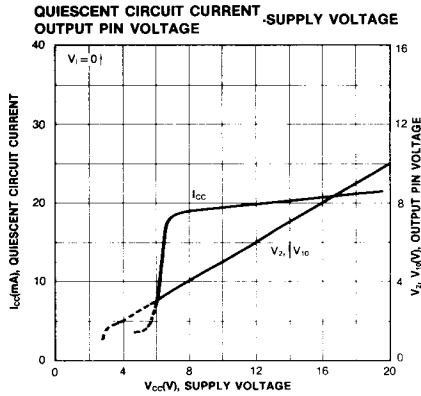
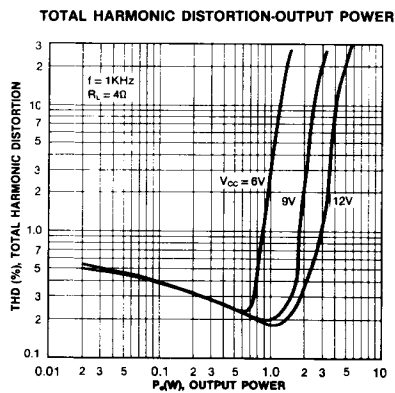
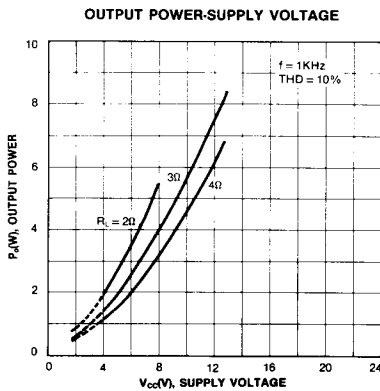
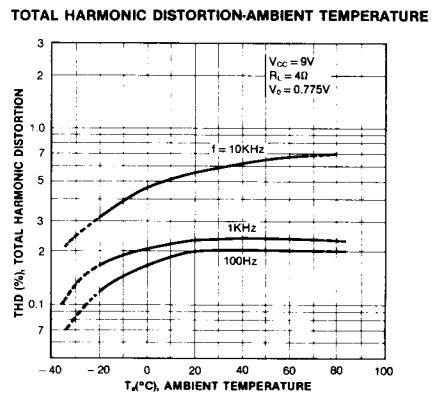
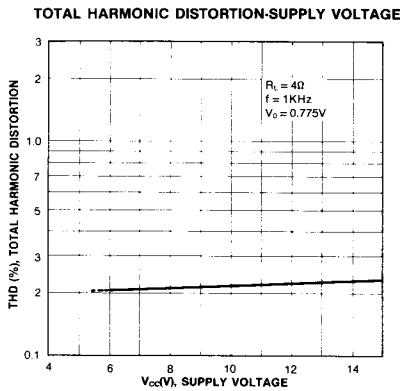
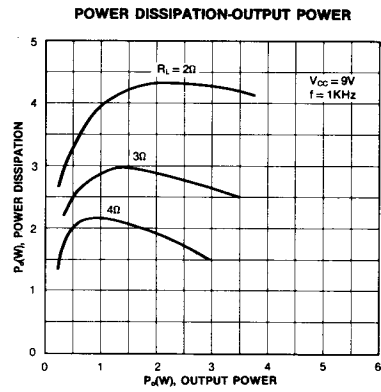
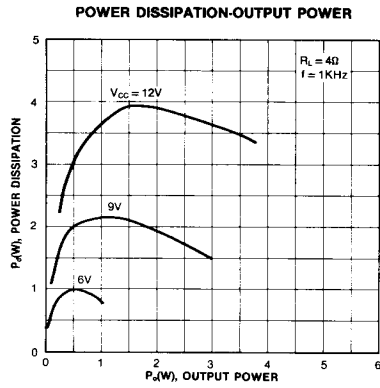
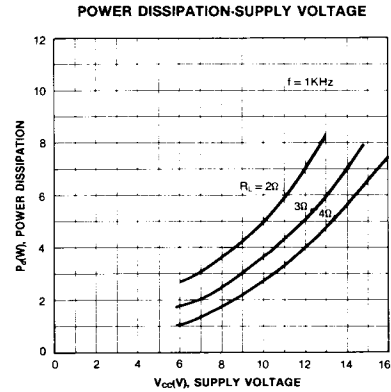
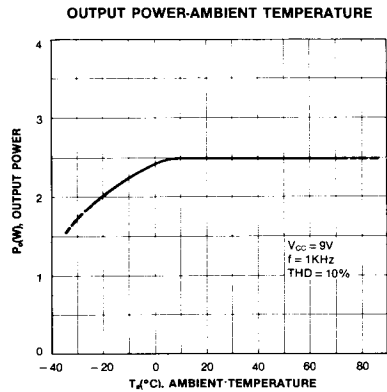
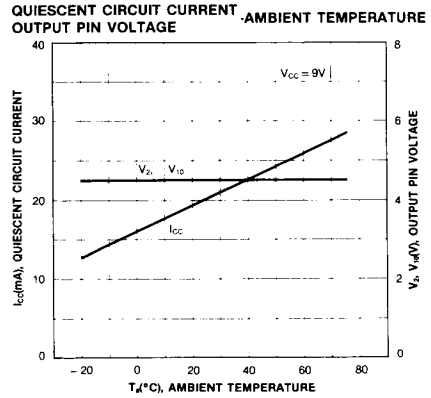
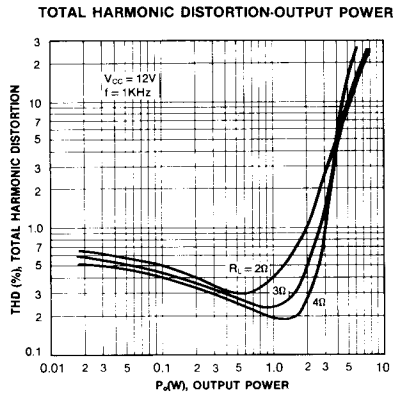
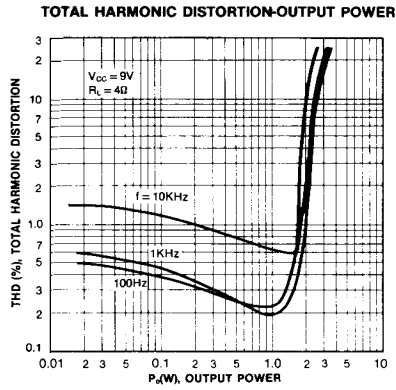
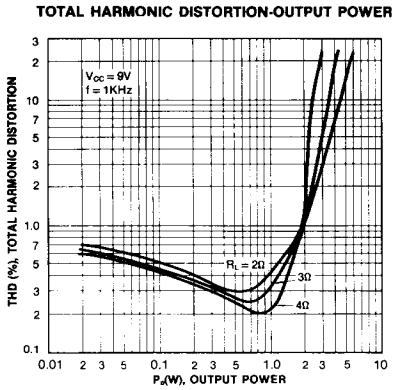


Fig. 2







APPLICATION CIRCUIT

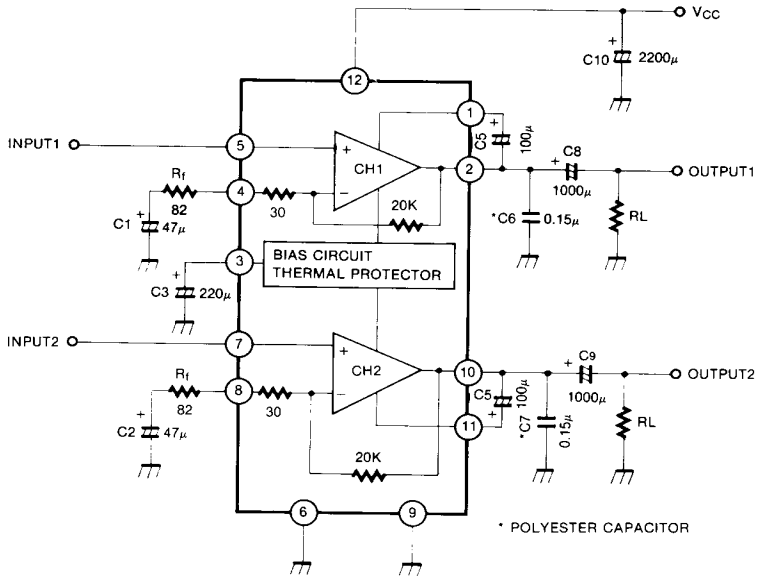


Fig. 3