

# BIPOLAR ANALOG INTEGRATED CIRCUIT

## $\mu$ PC1362C

### ELECTRONIC CHANNEL SELECTOR

#### DESCRIPTION

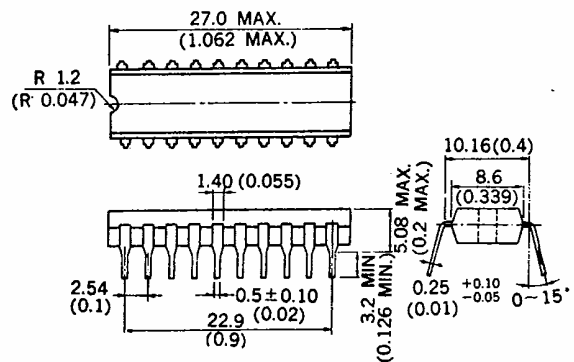
The  $\mu$ PC1362C is an electronic channel selector integrated circuit. It is capable of selecting up to 12 channels. The output terminals are design to permit the direct driving of LED or neon lamps.

This IC consists of Clock Oscillator circuit, Channel Up and Down circuit, Channel skip circuit, 4 bit Up and Down Counter circuit, 1-12 Decoder circuit and 12 channel Output Buffer circuit, all of which are contained in a 20 pins dual in-line package.

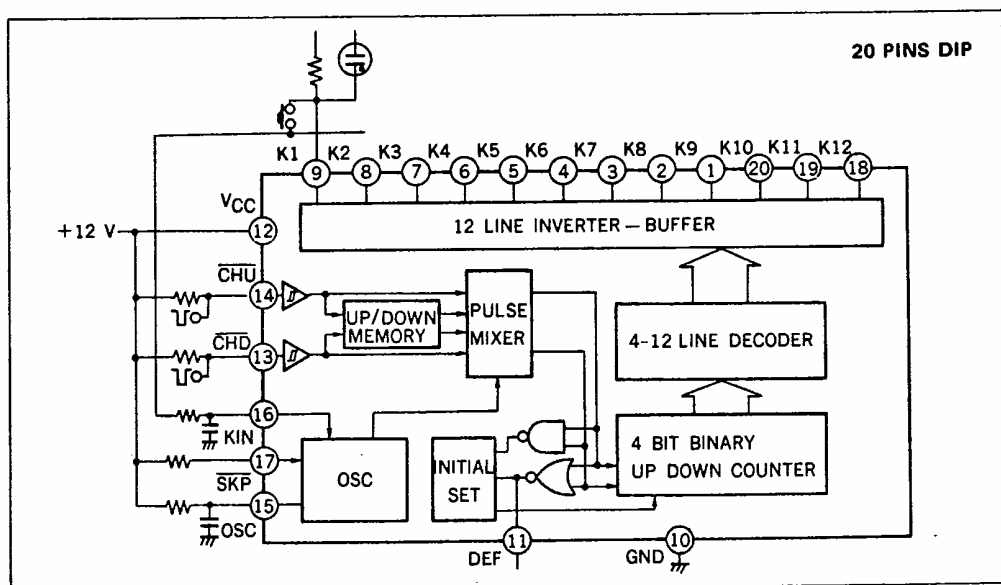
#### FEATURES

- LED, Neon lamps direct drive.  
 $I_k=5 \text{ mA}$ ,  $V_{kSAT} 150 \text{ mV MAX.}$
- Low power consumption.  
 $V_{CC}=12 \text{ V}$ ,  $I_{CC}=5 \text{ mA TYP.}$
- Up to 12 channel selection.
- Internal schmitt trigger circuit. (CHU, CHD INPUT)
- Power ON initial channel set.
- TV, Radio etc. channel selection use.
- Using with  $\mu$ PD1986C (TX),  $\mu$ PD1937C (RX), direct address remote control system is realized.

#### PACKAGE DIMENSIONS in millimeters (inches)



#### BLOCK DIAGRAM



### ABSOLUTE MAXIMUM RATINGS (Ta=25 °C)

Supply Voltage	V <sub>CC</sub>	15.0	V
Input Current to Channel Selection Circuit	I <sub>K1~9, 18~20</sub>	-5 to 30	mA
Input Current to Control Circuit	I <sub>C16, 17</sub>	-5 to 10	mA
Input Current to Control Circuit	I <sub>C11</sub>	-5 to 30	mA
* Output Voltage to Channel Selection Circuit	V <sub>K1~9, 18~20</sub>	-0.5 to 45	V
* Output Voltage to Control Circuit	V <sub>11</sub>	-0.5 to 14.4	V
* Input Voltage to Control Circuit	V <sub>15</sub>	-0.5 to V <sub>CC</sub>	V
Power Dissipation	P <sub>d</sub>	300	mW
Operating Temperature Range	T <sub>opt</sub>	-20 to +75	°C
Storage Temperature Range	T <sub>stg</sub>	-40 to +125	°C

\* At V<sub>CC</sub>=12 V

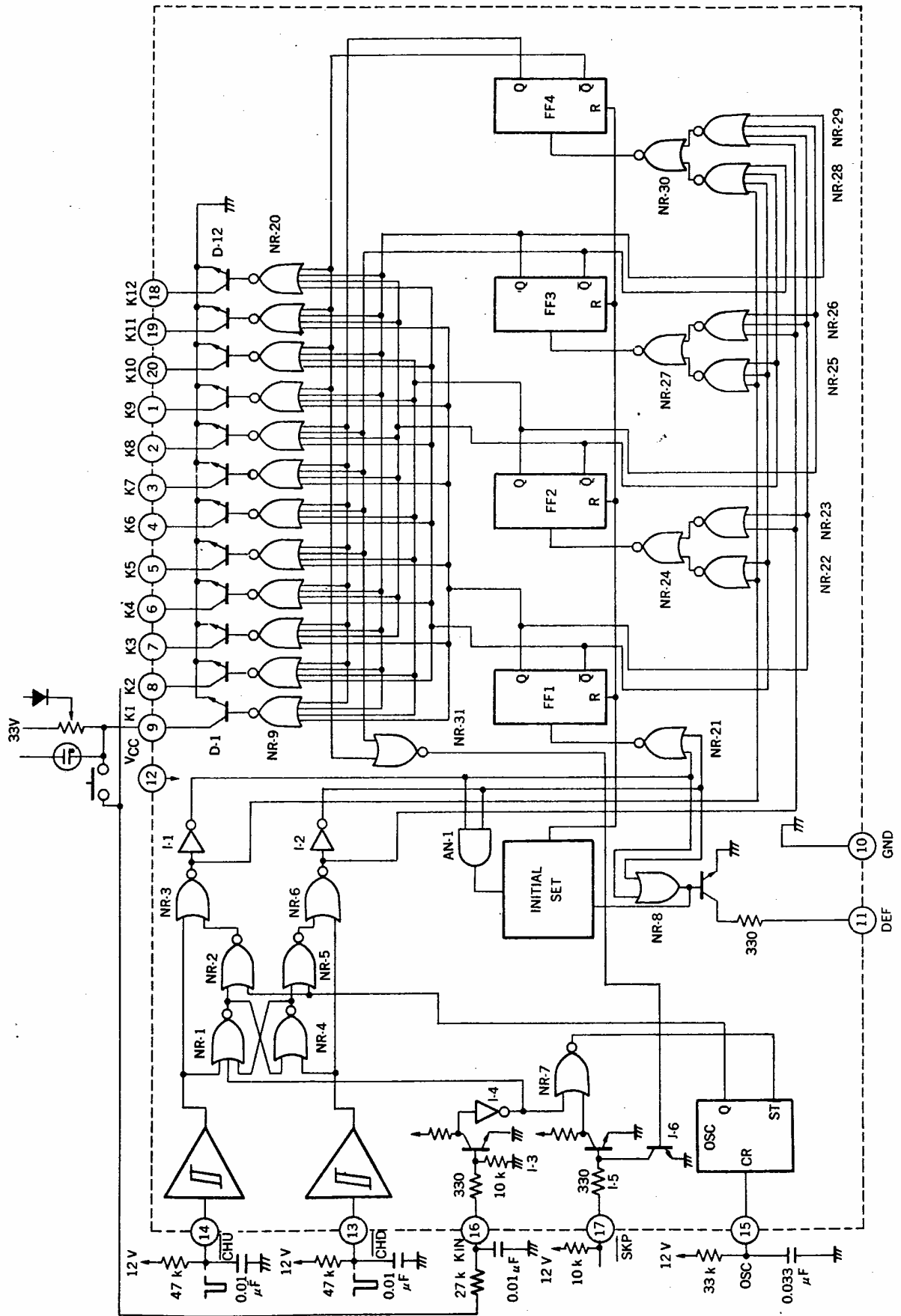
### RECOMMENDED OPERATING CONDITIONS

CHARACTERISTIC	SYMBOL	MIN.	TYP.	MAX.	UNIT
Supply Voltage	V <sub>CC</sub>	9.6	12.0	14.4	V
Channel Selection Input Current	I <sub>K</sub>		5.0		mA
Clock Oscillation Frequency	f <sub>OSC</sub>		2.0	10.0	kHz

### ELECTRICAL CHARACTERISTICS (Ta=25 ±3 °C)

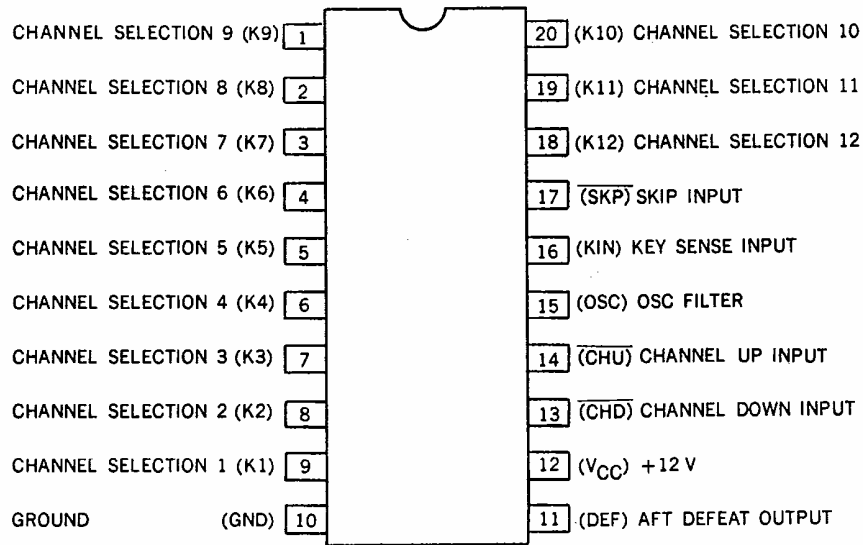
CHARACTERISTIC	SYMBOL	MIN.	TYP.	MAX.	UNIT	TEST CONDITIONS
Supply Current	I <sub>DD</sub>	2.0	5.0	10.0	mA	V <sub>CC</sub> =12 V
Channel Selection Saturation Voltage	V <sub>OL(K)</sub>			150	mV	V <sub>CC</sub> =9.6 V, I <sub>OL</sub> =5 mA
Channel Selection Leakage Current	I <sub>OH(K)</sub>			10	μA	V <sub>CC</sub> =14.4 V, V <sub>OH</sub> =35 V
AFT Defeat Output Voltage	V <sub>OL(D)</sub>			6	V	V <sub>CC</sub> =9.6 V, I <sub>OL</sub> =12 mA
AFT Defeat Leakage Current	I <sub>OH(D)</sub>			10	μA	V <sub>CC</sub> =14.4 V, V <sub>OH</sub> =14.4 V
Channel Input High Threshold Voltage	V <sub>TH(CH)</sub>	7.2		9.0	V	V <sub>CC</sub> =12 V
Channel Input Low Threshold Voltage	V <sub>TL(CH)</sub>	5.0		7.0	V	V <sub>CC</sub> =12 V
Channel Input Leakage Current	I <sub>CH(CH)</sub>	-5			μA	V <sub>CC</sub> =14.4 V, V <sub>IL</sub> =0 V
Channel Input Leakage Current	I <sub>CH(CH)</sub>			5	μA	V <sub>CC</sub> =14.4 V, V <sub>IH</sub> =14.4 V
Key Input Current	I <sub>IH(KI)</sub>	200			μA	V <sub>CC</sub> =9.6 V
Key Input Leakage Current	I <sub>IL(KI)</sub>	-10			μA	V <sub>CC</sub> =14.4 V, V <sub>IL</sub> =0 V
Skip Input Current	I <sub>IH(SK)</sub>	50			μA	V <sub>CC</sub> =9.6 V
Skip Input Leakage Current	I <sub>IL(SK)</sub>	-5			μA	V <sub>CC</sub> =14.4 V, V <sub>IL</sub> =0 V
OSC Input Current	I <sub>IH(OSC)</sub>	1.5		3.0	mA	V <sub>CC</sub> =9.6 V, V <sub>IH</sub> =4 V
Channel Hold Voltage	V <sub>HOLD</sub>	6.5			V	
OSC Frequency	f <sub>OSC</sub>	1.0	2.0	3.0	kHz	V <sub>CC</sub> =12 V, R=33 kΩ, C=0.033 μF

**EQUIVALENT CIRCUIT**



Logic Blocks consist of PMOS technology  
Output, Input circuits consist of Bipolar technology.

### CONNECTION DIAGRAM (Top View)



### PIN FUNCTION

**K1 ~ 12 (#9 ~ 1, #18 ~ 20) CHANNEL SELECTION OUTPUT**

These are the output terminals constructed of collector-opened transistors, so they can drive potentiometers and indicators, and key output. They have saturation voltage of 150 mV at  $I_K = 5$  mA, so they can drive neon or LED lamps directly.

**GND ( #10 ) GROUND**

**DEF ( #11 ) AFT DEFEAT OUTPUT**

This terminal is made of open collector transistor output through a resistor of 330  $\Omega$ . It is used for AFT (Automatic Fine Tuning ..... TV use) defeat, sound muting and LED indicate erasing.

**V<sub>CC</sub> ( #12 ) +12 V (9.6 ~ 14.4 V)**

**CHD ( #13 ) CHANNEL DOWN INPUT**

Usually pulled up to V<sub>CC</sub> through a resistor, Channel selector changes at positive going edge of input signal of this terminal and the channel selector works orderly from K12 to K1.

**CHU ( #14 ) CHANNEL UP INPUT**

Usually pull up to V<sub>CC</sub> through a resistor, Channel selector changes at positive going edge of input signal of this terminal and the channel selector works orderly from K1 to K12. If CHU and CHD terminals put down to ground at same time, initial channel is selected. So, it is very useful to remote control operation use. These terminals include schmitt trigger circuit. If these terminals are not used as remote control operation, connect these terminals to V<sub>CC</sub> directly.

**OSC ( #15 ) OSC FILTER**

When a Channel key is pushed or skip function is operated, oscillator contained in this IC oscillate with C, R connected to this terminal. Typical oscillation frequency is 2 kHz. (R=33 k $\Omega$ , C=0.033  $\mu$ F)

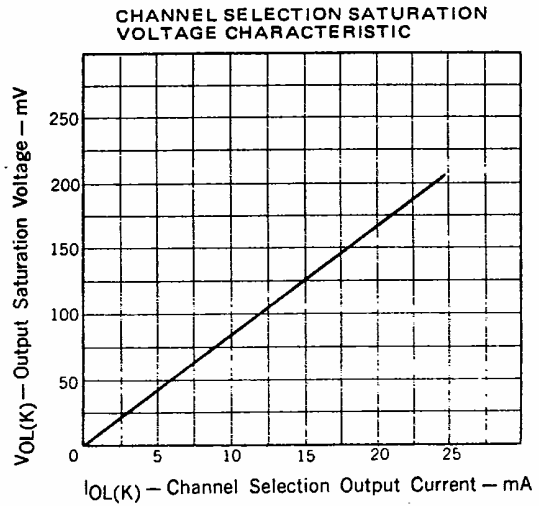
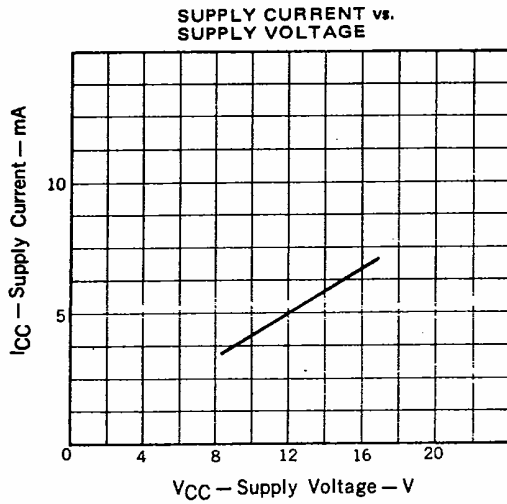
**KIN ( #16 ) KEY INPUT**

When channel selection key is pushed, as pushed channel is not selected, "High" level of signal is applied to this terminal through a potentiometer resistor. Then channel selector scans terminals of K1 ~ K12. And when sense up this terminal, it pull down the voltage of this terminal and stop the scanning.

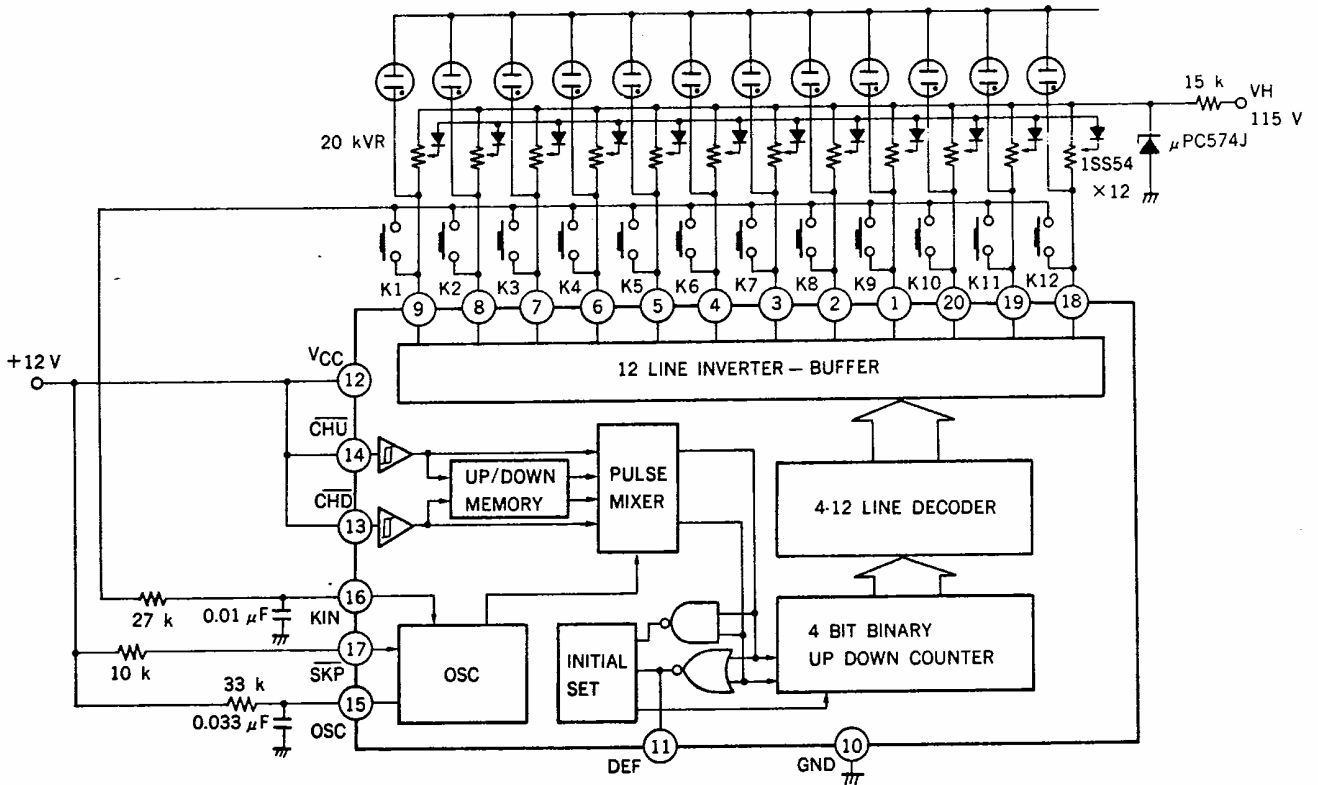
SKP ( #17 ) SKIP INPUT

Usually pull up to  $V_{CC}$  through resistor. When only 10 channels are used, connect open channel outputs (K11, K12) to this terminal with CR filter.

CHARACTERISTICS



APPLICATION CIRCUIT 1



**APPLICATION CIRCUIT 2**

**EXAMPLE OF TV CHANNEL SELECTION  
10 POSITION SELECTION CIRCUIT (2 POSITION IS SKIPPED)**

