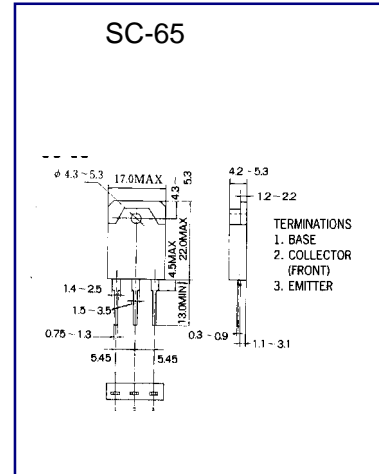




BU426A

NPN SILICON TRANSISTOR

**SWITCHING REGULATORS PWM INVERTERS
SOLENOID AND RELAY DRIVERS**



ABSOLUTE MAXIMUM RATINGS ($T_a=25^\circ\text{C}$)

| Characteristic | Symbol | Rating | Unit |
|--|-----------|---------|------------------|
| Collector-Base Voltage | VCBO | 900 | V |
| Collector-Emitter Voltage | VCEO | 450 | V |
| Collector Current (DC) | IC | 8 | A |
| Collector Dissipation ($T_c=25^\circ\text{C}$) | PC | 70 | W |
| Junction Temperature | T_j | 150 | $^\circ\text{C}$ |
| Storage Temperature | T_{stg} | -50~150 | $^\circ\text{C}$ |

ELECTRICAL CHARACTERISTICS ($T_a=25^\circ\text{C}$)

| Characteristic | Symbol | Test Condition | Min | Typ | Max | Unit |
|---------------------------------------|----------|------------------|-----|-----|-----|---------------|
| Collector Cutoff Current | ICBO | VCB= 800V , IE=0 | | | 10 | μA |
| Collector Cutoff Current | ICEO | VCB=450V , IB=0 | | | 10 | μA |
| DC Current Gain | hFE | VCE=5V , IC=0.6A | 60 | | | |
| Collector- Emitter Saturation Voltage | VCE(sat) | IC=3A , IB=0.3A | | | 2.5 | V |