

Using the 24LC21 Dual Mode Serial EEPROM

*Author: Bruce Negley
Memory Products Division*

INTRODUCTION

The Microchip Technology Inc. 24LC21 is a 1K-bit (128 x 8) dual mode serial EEPROM that was developed primarily for use in computer monitors. This part was developed with inputs from several computer monitor manufacturers, in accordance with the VESA® (Video Electronics Standards Association) monitor committee. This committee has developed a serial communication protocol called Data Display Channel (DDC™) which was created to eliminate the need to change dip switches when configuring a new system or adding a new monitor or video card. The 24LC21 device is used in the monitor to store and transmit the EDID (extended display ID) table which contains all set-up parameters needed by the video card to operate with a particular monitor. With this system, the user can now plug any compatible monitor into any compatible graphics board and the graphics board will automatically know what type of monitor is being used and configure itself accordingly. This automatic configuration is the cornerstone for Microsoft®'s 'Plug and Play' capability being built into the new 'Windows 95™' release.

DEVICE OPERATION

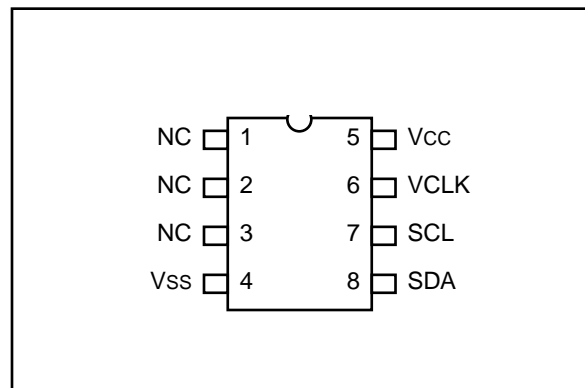
The 24LC21 can operate in two modes of operation. These two modes of operation are the transmit only mode and bi-directional mode. Upon power-up, the device will always be in the transmit-only mode. Transmit only mode is also referred to as DDC1 mode. The transmit only mode only allows the video card to read the contents of the 24LC21 in a sequential manner, one bit at a time. Writing to the device is not possible in transmit only mode.

The device will automatically transition to the bi-directional mode whenever a falling edge is seen on the SCL pin. Bi-directional mode is also referred to as DDC2 mode, and is implemented as the standard I²C™ protocol. This allows a controller to read and write specific addresses in the device like a standard I²C Serial EEPROM device. Once the device has transitioned to the bi-directional mode, there is no way to return to transmit only mode other than to reset (power-down) the device.

TRANSMIT ONLY MODE (DDC1)

The 24LC21 will always power-up in the transmit only mode. In this mode, the 24LC21 will output one bit of data at the SDA pin for every rising edge on the VCLK pin. The data will be transmitted in 8-bit words, with each word followed by a 9th null bit. This null bit will always be high. A timing diagram for transmit only mode is shown in Figure 1. As long as VCLK is present and no falling edges on SCL are received, the 24LC21 will repeatedly cycle through the entire memory array.

PACKAGE TYPE



Upon power-up, the device will not output valid data until it has been initialized. This initialization procedure (Figure 1) data will not be available until after the first 9 clocks are sent to the device. The exact memory location that the 24LC21 begins to transmit data is unknown at power-up, and the initialization procedure only initializes the device, not the starting address or bit location. In order to for a controller to determine what address is being read, a 'framing' or 'syncing' procedure must be executed by the video card.

AN610

A framing procedure involves looking for the header portion of the EDID table which is a byte of 00H followed by 6 bytes of FFH and another byte of 00H. A framing routine would continue to clock data from the 24LC21 until this unique header has been found. At this point, the current location in the EDID table has been determined and the controller has now synchronized itself with the device. Care must be

taken while using the device in the transmit only mode to prevent noise on the SCL pin, as a falling edge seen on this pin will immediately send the part into the bi-directional mode. In a DDC1-only monitor, SCL is not connected to the VGA connector, but must still be terminated to VCC through a pullup resistor.

FIGURE 1: TRANSMIT ONLY MODE

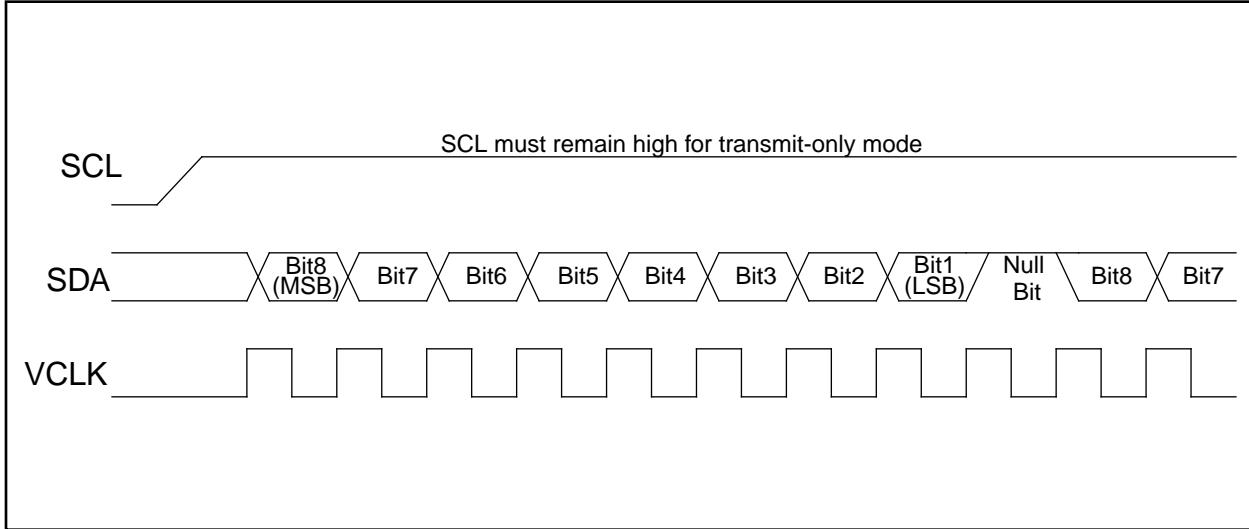
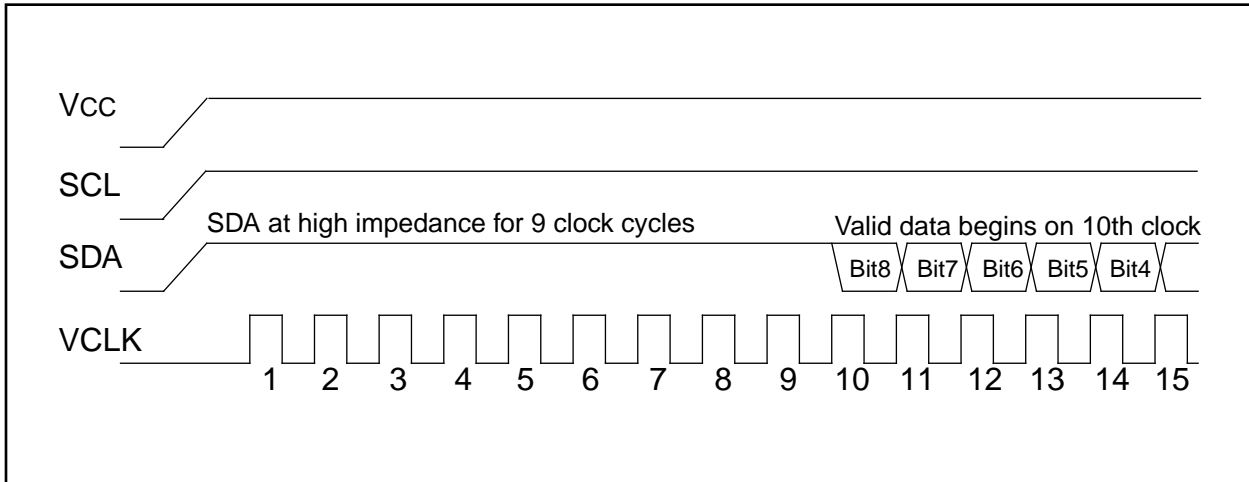


FIGURE 2: DEVICE INITIALIZATION FOR TRANSMIT-ONLY MODE



BI-DIRECTIONAL MODE (DDC2)

Bi-directional mode is essentially the standard I²C protocol and allows the controller to read and write to the device. The 24LC21 supports byte and page writes and byte and sequential reads in the bi-directional mode. This mode will be used primarily before the monitor leaves the factory to load the EDID table into the device, but it also provides a means of updating the table if necessary. It is also used for faster (up to 100 kHz) data transmission, or transmission of only specific requested data in a DDC2 system. (The I²C protocol allows the host to request data from a specific portion of the EDID table rather than waiting for the entire table.) When writing to the device, the VCLK pin must be held high while the write command is being loaded or the write will be aborted and no data will be written. Note that this is the opposite of the 24LC01B, where the WP pin must be held low for the device to be written.

EDID TABLE

The EDID table is the Extended Display ID table, specified by VESA, that will be stored in the 24LC21 and contains information about what type of display it is and the capabilities of the display. The basic EDID table consists of 128 bytes of data. A breakdown of the table is shown below in Table 1. A complete description of the table can be found in the VESA DDC Specification.

TABLE 1: EDID TABLE DESCRIPTION

Bytes	Description
8	Header
10	Vendor/Product Description
2	EDID Version/Revision
15	Basic Display Parameters/Features
19	Established/Standard Timings
72	Detailed Timing Descriptions (18 bytes each)
1	Extension Flag
1	Checksum

AN610

USING THE 24LC21 IN A SYSTEM

In order to use the 24LC21 in a monitor system, it must be programmed with a proper EDID table and then properly connected to the signals coming from the video controller card. The VESA committee has specified that the connections for DDC transmission can be part of the standard 15-pin VGA connector. A table of pinouts for this connector are shown in Table 2. Signals that pertain to the use of the 24LC21 are highlighted.

Programming of the 24LC21 can be accomplished via Microchip Technology's SEEVAL programming and evaluation system or by any final test system at the customer site which can communicate over the I²C bus.

TABLE 2: VGA CONNECTOR DESCRIPTION

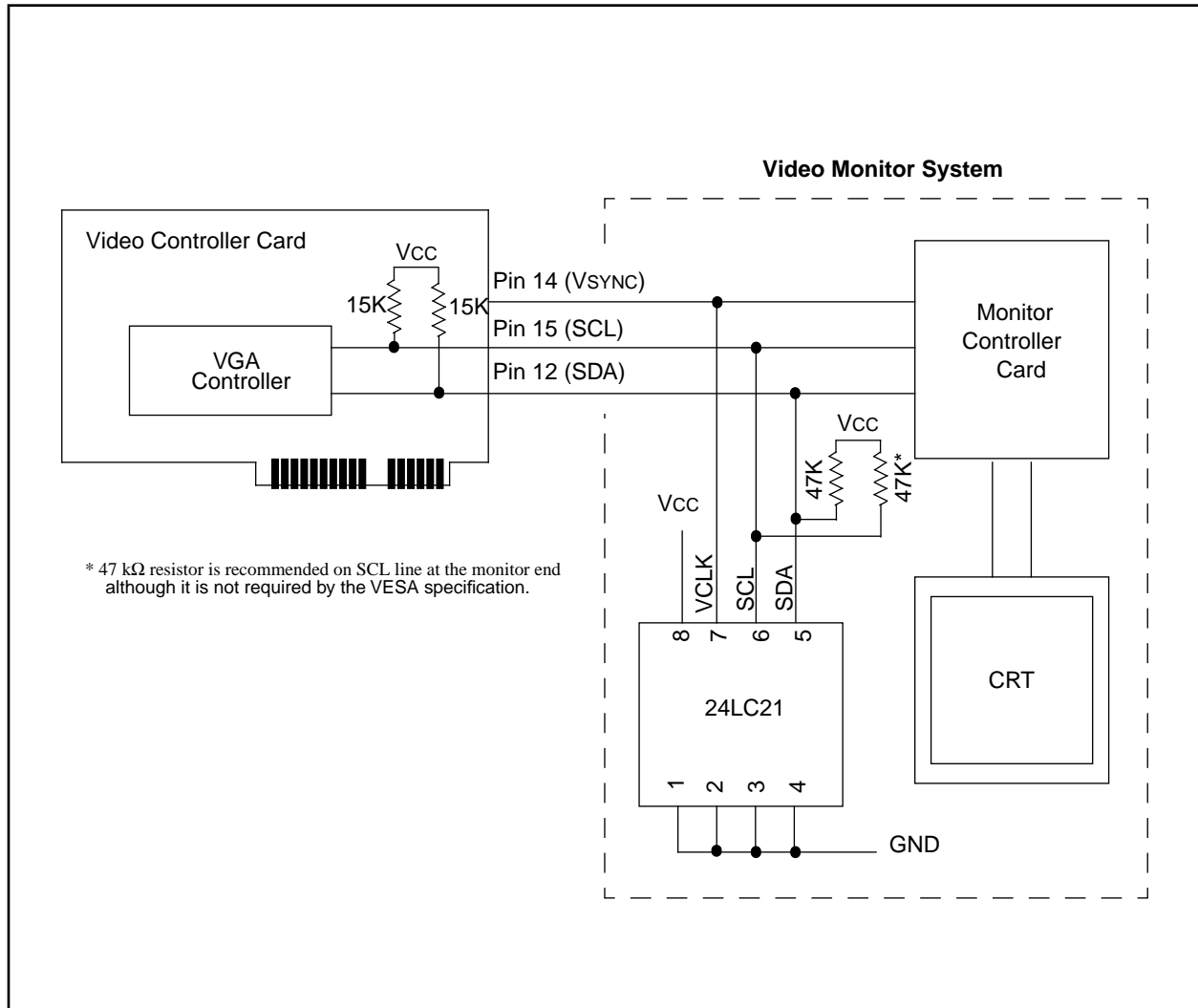
Pin	Standard VGA	DDC1 Host	DDC2 Host	DDC1.2 Display
1	Red Video	Red Video	Red Video	Red Video
2	Green Video	Green Video	Green Video	Green Video
3	Blue Video	Blue Video	Blue Video	Blue Video
4	Monitor ID Bit2	Monitor ID Bit2	Monitor ID Bit2	Return
5	Test (Ground)	Return	Return	Return
6	Red Video Return	Red Video Return	Red Video Return	Red Video Return
7	Green Video Return	Green Video Return	Green Video Return	Green Video Return
8	Blue Video Return	Blue Video Return	Blue Video Return	Blue Video Return
9	No Connection	+5V Supply (optional)	+5V Supply (optional)	+5V Supply (optional)
10	Sync Return	Sync Return	Sync Return	Sync Return
11	Monitor ID Bit0	Monitor ID Bit0	Monitor ID Bit0	Optional
12	Monitor ID Bit1	Data from Display (SDA)	Bi-directional Data (SDA)	Bi-directional Data (SDA)
13	Horizontal Sync	Horizontal Sync	Horizontal Sync	Horizontal Sync
14	Vertical Sync	Vertical Sync (VCLK)	Vertical Sync	Vertical Sync (VCLK)
15	Monitor ID Bit3	Monitor ID Bit3	Data Clock (SCL)	Data Clock (SCL)

SYSTEM CONFIGURATION

A typical system configuration is shown below. The DDC specification states that a 47 k Ω pull-up resistor is required on the SDA line at the monitor end. It also

states that a 15K pullup resistor is needed on both the SCL and SDA lines at the video controller end.

FIGURE 3: USE OF 24LC21 IN VIDEO SYSTEM



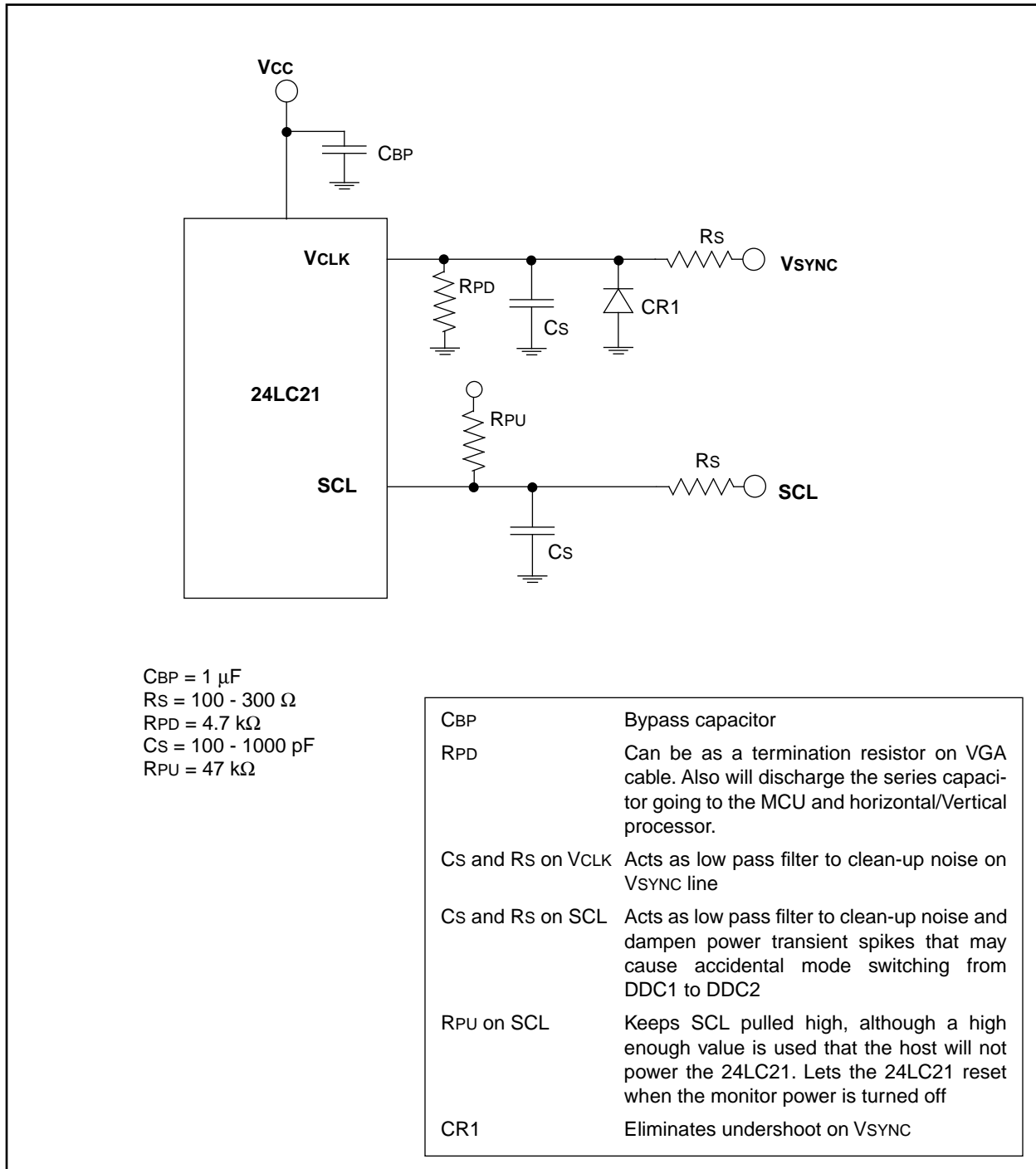
AN610

POTENTIAL PROBLEMS CAUSED BY NOISE IN A VIDEO SYSTEM

Because the typical application for the 24LC21 is in a computer monitor where electronic noise is prevalent, some precautions may need to be made in order for this device (or any other CMOS device) to work prop-

erly. The diagram below (Figure 4) shows a filter circuit that can be used to reduce the amount of noise seen by the device on the SCL and VCLK pins.

FIGURE 4: RECOMMENDED FILTER CIRCUIT FOR MONITOR APPLICATIONS



NOTES:



WORLDWIDE SALES AND SERVICE

AMERICAS

Corporate Office

Microchip Technology Inc.
2355 West Chandler Blvd.
Chandler, AZ 85224-6199
Tel: 480-786-7200 Fax: 480-786-7277
Technical Support: 480-786-7627
Web Address: <http://www.microchip.com>

Atlanta

Microchip Technology Inc.
500 Sugar Mill Road, Suite 200B
Atlanta, GA 30350
Tel: 770-640-0034 Fax: 770-640-0307

Boston

Microchip Technology Inc.
5 Mount Royal Avenue
Marlborough, MA 01752
Tel: 508-480-9990 Fax: 508-480-8575

Chicago

Microchip Technology Inc.
333 Pierce Road, Suite 180
Itasca, IL 60143
Tel: 630-285-0071 Fax: 630-285-0075

Dallas

Microchip Technology Inc.
4570 Westgrove Drive, Suite 160
Addison, TX 75248
Tel: 972-818-7423 Fax: 972-818-2924

Dayton

Microchip Technology Inc.
Two Prestige Place, Suite 150
Miamisburg, OH 45342
Tel: 937-291-1654 Fax: 937-291-9175

Detroit

Microchip Technology Inc.
Tri-Atria Office Building
32255 Northwestern Highway, Suite 190
Farmington Hills, MI 48334
Tel: 248-538-2250 Fax: 248-538-2260

Los Angeles

Microchip Technology Inc.
18201 Von Karman, Suite 1090
Irvine, CA 92612
Tel: 949-263-1888 Fax: 949-263-1338

New York

Microchip Technology Inc.
150 Motor Parkway, Suite 202
Hauppauge, NY 11788
Tel: 631-273-5305 Fax: 631-273-5335

San Jose

Microchip Technology Inc.
2107 North First Street, Suite 590
San Jose, CA 95131
Tel: 408-436-7950 Fax: 408-436-7955

AMERICAS (continued)

Toronto

Microchip Technology Inc.
5925 Airport Road, Suite 200
Mississauga, Ontario L4V 1W1, Canada
Tel: 905-405-6279 Fax: 905-405-6253

ASIA/PACIFIC

Hong Kong

Microchip Asia Pacific
Unit 2101, Tower 2
Metroplaza
223 Hing Fong Road
Kwai Fong, N.T., Hong Kong
Tel: 852-2-401-1200 Fax: 852-2-401-3431

Beijing

Microchip Technology, Beijing
Unit 915, 6 Chaoyangmen Bei Dajie
Dong Erhuan Road, Dongcheng District
New China Hong Kong Manhattan Building
Beijing 100027 PRC
Tel: 86-10-85282100 Fax: 86-10-85282104

India

Microchip Technology Inc.
India Liaison Office
No. 6, Legacy, Convent Road
Bangalore 560 025, India
Tel: 91-80-229-0061 Fax: 91-80-229-0062

Japan

Microchip Technology Intl. Inc.
Benex S-1 6F
3-18-20, Shinyokohama
Kohoku-Ku, Yokohama-shi
Kanagawa 222-0033 Japan
Tel: 81-45-471-6166 Fax: 81-45-471-6122

Korea

Microchip Technology Korea
168-1, Youngbo Bldg. 3 Floor
Samsung-Dong, Kangnam-Ku
Seoul, Korea
Tel: 82-2-554-7200 Fax: 82-2-558-5934

Shanghai

Microchip Technology
RM 406 Shanghai Golden Bridge Bldg.
2077 Yan'an Road West, Hong Qiao District
Shanghai, PRC 200335
Tel: 86-21-6275-5700 Fax: 86 21-6275-5060

ASIA/PACIFIC (continued)

Singapore

Microchip Technology Singapore Pte Ltd.
200 Middle Road
#07-02 Prime Centre
Singapore 188980
Tel: 65-334-8870 Fax: 65-334-8850

Taiwan, R.O.C

Microchip Technology Taiwan
10F-1C 207
Tung Hua North Road
Taipei, Taiwan, ROC
Tel: 886-2-2717-7175 Fax: 886-2-2545-0139

EUROPE

United Kingdom

Arizona Microchip Technology Ltd.
505 Eskdale Road
Wokingham
Berkshire, England RG41 5TU
Tel: 44 118 921 5858 Fax: 44-118 921-5835

Denmark

Microchip Technology Denmark ApS
Regus Business Centre
Lautrup hof 1-3
Ballerup DK-2750 Denmark
Tel: 45 4420 9895 Fax: 45 4420 9910

France

Arizona Microchip Technology SARL
Parc d'Activite du Moulin de Massy
43 Rue du Saule Trapu
Batiment A - 1er Etage
91300 Massy, France
Tel: 33-1-69-53-63-20 Fax: 33-1-69-30-90-79

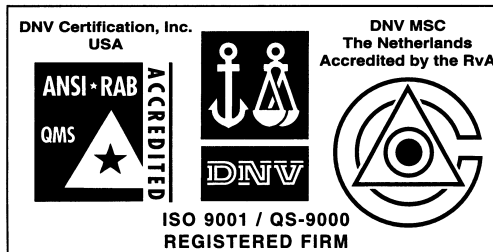
Germany

Arizona Microchip Technology GmbH
Gustav-Heinemann-Ring 125
D-81739 München, Germany
Tel: 49-89-627-144 0 Fax: 49-89-627-144-44

Italy

Arizona Microchip Technology SRL
Centro Direzionale Colleoni
Palazzo Taurus 1 V. Le Colleoni 1
20041 Agrate Brianza
Milan, Italy
Tel: 39-039-65791-1 Fax: 39-039-6899883

11/15/99



Microchip received QS-9000 quality system certification for its worldwide headquarters, design and water fabrication facilities in Chandler and Tempe, Arizona in July 1999. The Company's quality system processes and procedures are QS-9000 compliant for its PICmicro® 8-bit MCUs, KEELOC® code hopping devices, Serial EEPROMs and microperipheral products. In addition, Microchip's quality system for the design and manufacture of development systems is ISO 9001 certified.

All rights reserved. © 1999 Microchip Technology Incorporated. Printed in the USA. 11/99 Printed on recycled paper.

Information contained in this publication regarding device applications and the like is intended for suggestion only and may be superseded by updates. No representation or warranty is given and no liability is assumed by Microchip Technology Incorporated with respect to the accuracy or use of such information, or infringement of patents or other intellectual property rights arising from such use or otherwise. Use of Microchip's products as critical components in life support systems is not authorized except with express written approval by Microchip. No licenses are conveyed, implicitly or otherwise, under any intellectual property rights. The Microchip logo and name are registered trademarks of Microchip Technology Inc. in the U.S.A. and other countries. All rights reserved. All other trademarks mentioned herein are the property of their respective companies.