

TA7738P

LINEAR INTEGRATED CIRCUIT

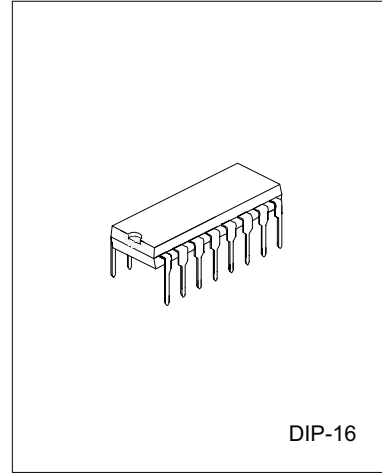
AMPLIFIER SYSTEM FOR CASSETTE TAPE RECORDER

DESCRIPTION

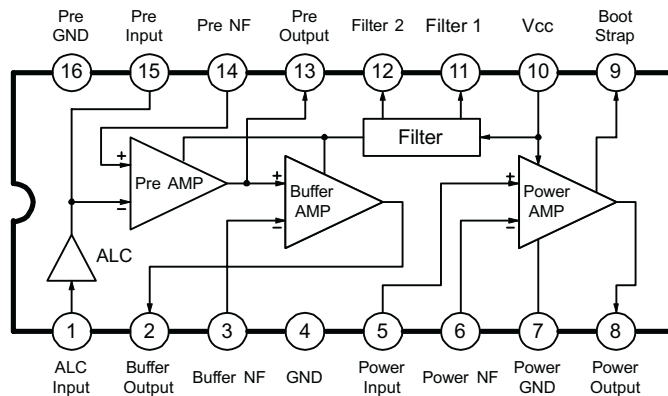
The Contek TA7738P is an amplifier system, designed for a stereo set and a radio cassette tape recorder.

FEATURES

- *Recorder play balk for pre-amplifier
- *Buffer amplifier(recorder amplifier)
- *Power amplifier
- *Wide operating voltage range(3.5V to 9V)



BLOCK DIAGRAM



ABSOLUTE MAXIMUM RATING (Ta=25 C)

PARAMETER	SYMBOL	VALUE	UNIT
Supply Voltage	VCC	14	V
Output Current	I O(peak)	1.5	A
Power Dissipation*	PD	1200	mW
Operating Temperature	TOPR	-25~75	C
Storage Temperature	TSTG	-55~150	C

*Note: De-rated above Ta=25 C in proportion of 9.6mW/ C



Contek Microelectronics Co.,Ltd.

<http://www.contek-ic.com> E-mail:sales@contek-ic.com

TA7738P

LINEAR INTEGRATED CIRCUIT

ELECTRONIC CHARACTERISTICS (Ta=25 °C, Vcc=6V, f=1kHz, unless otherwise specified)

PARAMETER	SYMBOL	TEST CONDITIONS	MIN	TYP	MAX	UNIT
Total						
Quiescent Current	IccQ1	VCC=3.5V	7.5			mA
	IccQ2	VCC=6V	11		35	
Pre-amplifier						
Open Loop Voltage Gain	GvO1		55	70		dB
Closed Loop Voltage Gain	Gv1			40		dB
Maximum Output Voltage	VOUT1	THD<1%		0.7		Vrms
Input Impedance	RIN1	VOUT=0.5Vrms		30		kΩ
Equivalent Input Noise Voltage	VNI	Rg=0		1.4	2.5	μΩVrms
Pre-amplifier + Buffer amplifier						
Closed Loop Voltage Gain	Gv2	Pre-AMP GV=40dB Buff-AMP GV=20dB		60		dB
Maximum Output Voltage	VOUT2	THD=3%	1.5	1.7		Vrms
Equivalent Input Noise Voltage	VNO2	Rg=0, GV2=60dB		1.2	2.5	mVrms
ALC Effect	ALC1	VIN= -60dBm~ -20dBm		2		dB
ALC Range	ALC2	THD<1%		60		dB
Power amplifier						
Open Loop Voltage Gain	GvO1		60	70		dB
Closed Loop Voltage Gain	Gv1			40		dB
Maximum Output Power	POM	RL=4Ω, THD=10%	0.8	0.96		W
		VCC=9V, RLΩ, THD=10%		2		
Output Noise Voltage	VNO3	Rg=0, GV=40dB		0.3	1	mVrms



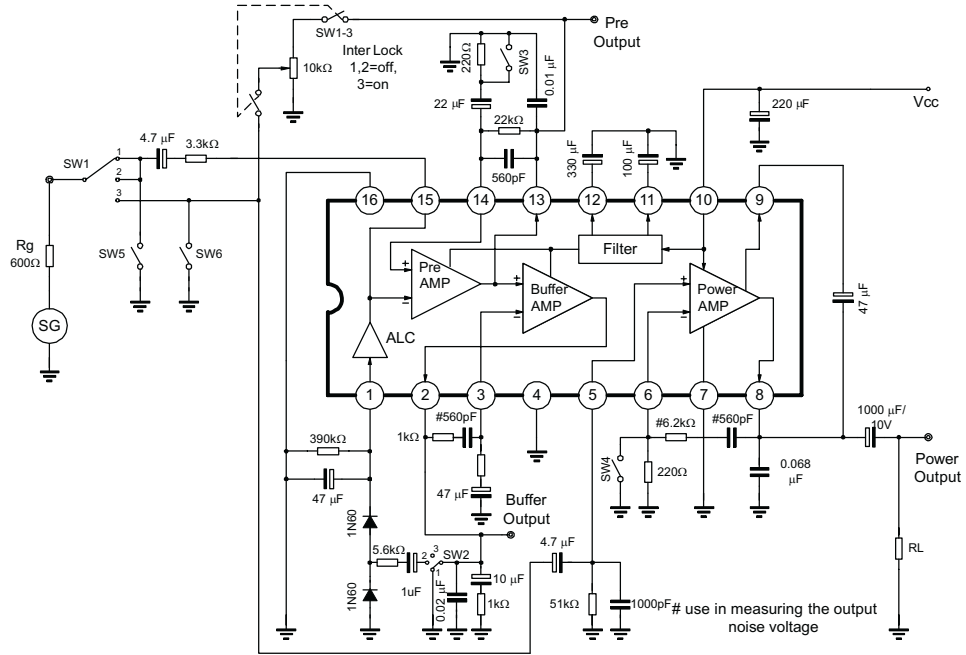
Contek Microelectronics Co.,Ltd.

<http://www.contek-ic.com> E-mail:sales@contek-ic.com

TA7738P

LINEAR INTEGRATED CIRCUIT

TEST CIRCUIT



SWITCH MODE

TEST ITEM	SW1	SW2	SW3	SW4	SW5	SW6
GVO1	1	1	ON	OFF	OFF	OFF
GV1	1	1	OFF	OFF	OFF	OFF
VOUT1	1	1	OFF	OFF	OFF	OFF
GV2	1	3	OFF	OFF	OFF	OFF
VOUT2	1	3	OFF	OFF	OFF	OFF
VNO2	1	3	OFF	OFF	ON	OFF
ALC	1	2	OFF	OFF	OFF	OFF
GVO3	2	1	OFF	ON	OFF	OFF
GV3	2	1	OFF	OFF	OFF	OFF
PO	2	1	OFF	OFF	OFF	OFF
VNO3	2	1	OFF	OFF	OFF	ON

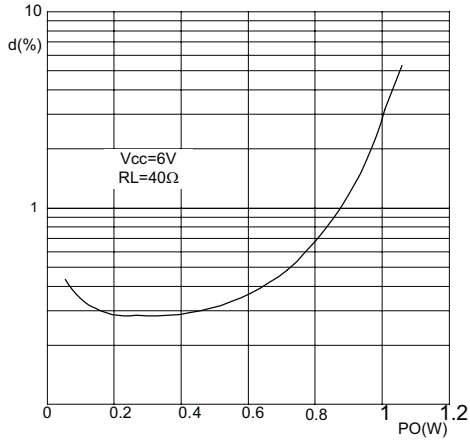


Contek Microelectronics Co.,Ltd.

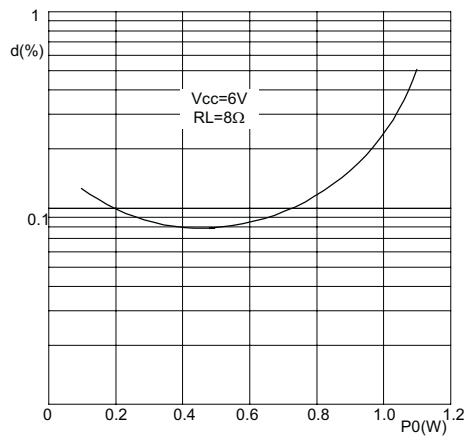
<http://www.contek-ic.com> E-mail:sales@contek-ic.com

TYPICAL PERFORMANCE CHARACTERISTICS

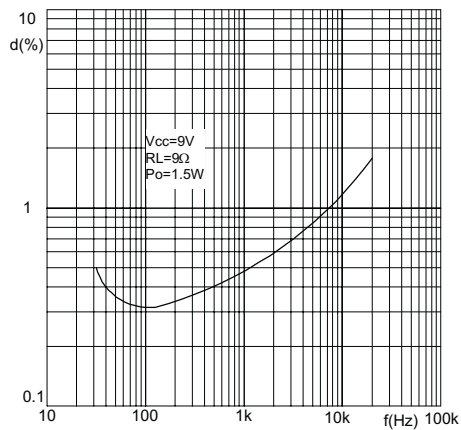
THD vs OutputPower 1



THD vs OutputPower 2



THD vs OutputFrequency



DoubleChannelModeOutputPower vs SupplyVoltage

