

# Battery Backup IC

## 1. Background of Development

Around 1985 when began the sales of IC for microcomputer peripheral equipment and system reset IC, a set manufacture inquired of us about IC for control of memory. It was a good change for us to decide a joint development of general purpose IC. This resulted in the development of PST531 and PST532. In 1989 they were improved into the backup IC series dedicated to cards, games (popular-priced) and to 1-chip microcomputers. Our IC series now includes low current consumption type products.

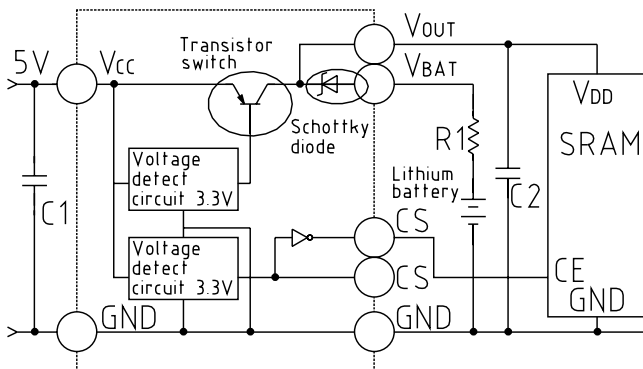
## 2. What is Battery Backup IC?

Such IC memories as S-RAM and D-RAM all volatilize when power supply is cut off. Usually we use batteries not to let these data disappear and to store them for a longer time (of the order of several years). The battery backup IC can monitor main supply when storing data by means of battery and the like, control memory so that there should not arise any data trouble in the memory, change the main supply over to battery, and monitor the residual voltage of the battery, to take a few examples.

## 3. Basic Configuration

Fig. 1 below illustrates the basic configuration of the backup IC.

We have PST531, PST532 and MM1026 as IC of the basic configuration.



Backup IC surrounded by dotted lines.  
 C1,C2 : Bypass capacitor for power supply  
 R1 : Protective resistor for lithium battery

Fig.1 Basic Configuration

## 3-1 Battery/Main Supply Changeover Circuit

1. 3.3V detect circuit ... Main supply detection
2. Transistor switch ..... Main supply ON/OFF switch
3. Schottky diode ..... For supplying backup power

## 3-2 Configuration of CS (CE) Control circuit

1. 4.2V detect circuit ..... Detection of main supply
2. Output reverse circuit ... Reverses CS signal into CS one.

We have MM1025, MM1027 and MM1028 as the backup IC having the following additional functions.

## 3-3 Detection of Residual Voltage of Battery

1. 2.70V detect circuit ... Equivalent to yellow alarm for residual voltage of battery
2. 2.55V detect circuit ... Equivalent to red alarm for residual voltage of battery

## 3-4 Battery Control Circuit

1. This circuit controls so that battery power should not be supplied even if the battery is replaced when there remains no main power supply when replacing the battery.

## 4. Principli of Operation

### 4-1 Battery/Main Supply Changeover Circuit

The 3.3V detect circuit turns off the transistor switch when  $V_{CC}$  is 3.3V or less and turns it on when the same exceeds 3.3V. The transistor ON will output the voltage of main supply to  $V_{OUT}$  and transistor OFF will output the battery voltage to  $V_{OUT}$ .

### 4-2 CS (CE) Control Circuit

The 4.2V voltage detect circuit makes CS signal to low level and  $\overline{CS}$  to high level when  $V_{CC}$  is 4.2V or lower, and  $\overline{CS}$  to high level and CS to low level when the same exceeds 4.2V. The CS signal level will change over the S-RAM mode as indicated in Fig.1 below.

When the CS signal is at low level (high level with  $\overline{CS}$  signal), that is when  $V_{CC}$  is 4.2V or lower, then S-RAM will enter into the backup mode and data read/write is forbidden thus preventing data trouble.

5. Characteristics of Respective Models

5-1 MM1025

Intended for D-RAM (no refresh control circuit) and pseudo-S-RAM

1. The power source used is Ni-Cd battery. Both main supply and backup supply incorporate stabilized power supplies.
2. With main power supply detect circuit built-in, it changes over the stabilized power supply and controls the memory by CS signal.

5-2 MM1026 and MM1080

For S-RAM

1. Ideal for games and IC cards. Applicable to lowcost system configuration.
2. Then main power supplies the power for IC while the lithium battery is used as backup power supply.
3. Incorporate forced main power supply/backup supply changeover circuit by transistor switch (low saturation realized by PNP transistor).
4. Schottky barrier diode built-in on the backup side.
5. With the main power supply detect circuit built-in, they control SRAM through CS signal.
6. Current consumption under normal conditions :  
MM1026 : 1.0mA typ.  
MM1080 : 60µA typ.  
Low current consumption type
7. Current consumption under backup conditions :  
0.3µA typ.

Fig. 2 shows a block diagram of MM1026.

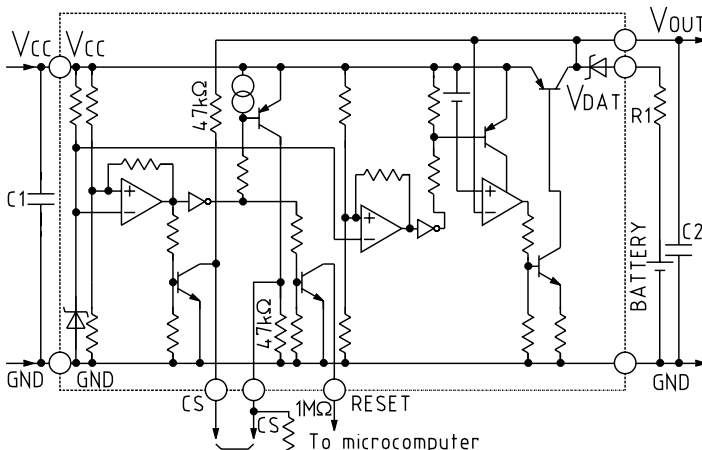


Fig.2 Block Diagram of MM1026

5-3 MM1027 and MM1081

For S-RAM

1. Two battery checkers built-in. Applicable to JEIDA Ver.4.0 specification for IC memory cards.
2. The main power supply provides power for IC, while the backup power uses the lithium battery.
3. Built-in is the forced main power supply/backup power changeover circuit (low saturation realized by PNP transistor, approx. 0.2V).
4. Schottky barrier diode built-in on the backup side.
5. External transistor for output increase if connected, output current 90mA will be increased.
6. Current consumption under normal conditions :  
MM1027 : 1.7mA typ.  
MM1081 : 100µA typ.  
Low current consumption type (under development)
7. Current consumption under backup conditions :  
0.2µA typ.

Fig. 3 shows a block diagram of MM1027.

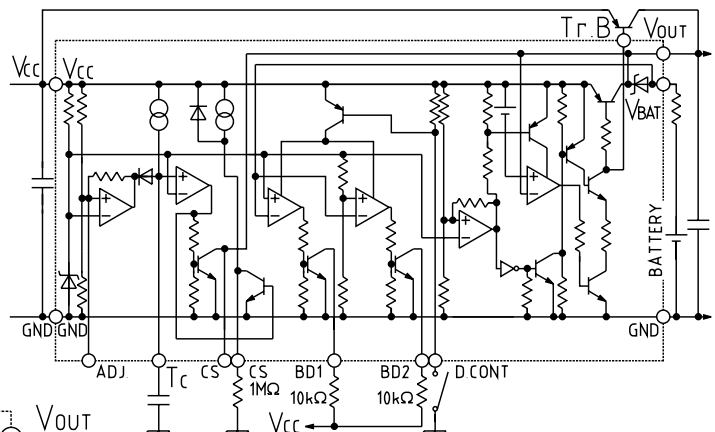


Fig.3 Block Diagram of MM1027

**5-4 MM1028 and MM1082**

For 1-chip microcomputers (backups as built-in clock, timer, etc.)

1. The main power supply is 5V, while the backup power uses the lithium-ion battery.
2. Built-in is the forced main power supply/backup power changeover circuit (low saturation realized by PNP transistor, approx. 0.2V).
3. Back-up power control circuit by transistor switch built-in on the backup side (low saturation realized by PNP transistor, approx. 0.2V).
4. When saving power (standby)  
Current consumption : 5.0 $\mu$ A typ.  
MM1082 does not have this mode (because of low current consumption).
5. Current consumption under normal conditions :  
MM1028 : 1.0mA typ.  
MM1082 : 65 $\mu$ A typ.

Low current consumption type

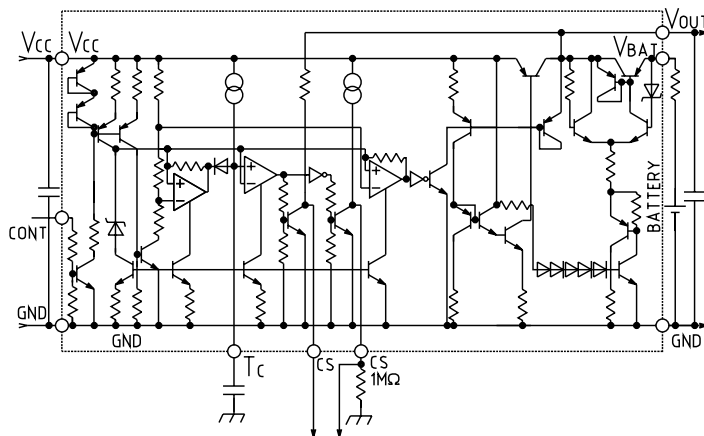
6. Current consumption under backup conditions :  
1.0 $\mu$ A typ.

Fig. 4 shows a block diagram of MM1028.

**5-5 PST620 and PST621**

For 1-chip microcomputers (backups as built-in clock, timer, etc.)

1. The main current uses 5V power supply, while the backup power uses capacitor (super capacitor, large capacitor, chemical capacitor). Under normal conditions the capacitor has been charged by 5V power supply, which will back up the 1-chip microcomputer as soon as the 5V power supply is consumed.
2. The voltage detector near 4.2V outputs CE signal thereby switching the 1-chip microcomputer either to standby or to normal mode. Further the low voltage detector will detect 2 to 3V to reset the 1-chip microcomputer. The inner 1-shot multivibrator will allow to reset for a given time when the voltage rises.



**Fig.4 Block Diagram of MM1028**

**Maintenance Table**

| Product Name | Output | current Consumption                             | Output current | Voltage rank   | Package          | Representative Interchangeable Models   | Notes   |
|--------------|--------|---|----------------|--|------------------|---|---|
| PST518       | Low    | I <sub>CCL</sub> 6mA<br>I <sub>CCH</sub> 9mA    | 70mA           | A 4.2V<br>B 4.4V   | TO-92A           | PST7042<br>7044   | Output current is 8mA   |
| PST520       | Low    | I <sub>CCL</sub> 55μA<br>I <sub>CCH</sub> 135μA | 2mA            | C 4.5V<br>D 4.2V<br>E 3.9V<br>F 3.6V<br>G 3.3V<br>H 3.1V   | TO-92A           | PST7045<br>7042<br>7039<br>7036<br>7033<br>7031                                 |   |
| PST523       | Low    | I <sub>CCL</sub> 30μA<br>I <sub>CCH</sub> 300μA | 20mA           | C 4.5V<br>D 4.2V<br>E 3.9V<br>F 3.6V<br>G 3.3V<br>H 3.1V   | TO-92A           | PST600C<br>600D<br>600E<br>600F<br>600G<br>600H                                 | Output current is 8mA<br>In addition, the PST600 series and PST70XX series are interchangeable. |
| PST524       | High   | I <sub>CCL</sub> 30μA<br>I <sub>CCH</sub> 300μA | -2mA           | C 4.5V<br>D 4.2V<br>E 3.9V<br>F 3.6V<br>G 3.3V<br>H 3.1V   | TO-92A           | PST573C<br>573D<br>573E<br>573F<br>573G<br>573H                                 |   |
| PST529       | Low    | I <sub>CCH</sub> 150μA<br>I <sub>CCH</sub> 5μA  | 10mA           | C 4.5V<br>D 4.2V<br>E 3.9V<br>F 3.6V<br>G 3.3V<br>H 3.1V<br>I 2.9V<br>J 2.7V<br>K 2.5V<br>L 2.3V | TO-92A<br>MMP-3A | PST600C<br>600D<br>600E<br>600F<br>600G<br>600H<br>600I<br>600J<br>600K<br>600L | Output current is 8mA<br>In addition, the PST600 series and PST70XX series are interchangeable. |

Note: This table does not guarantee complete interchangeability. Be sure to carry out sufficient technical investigations, including for excess response, when changing.