

Dual preamplifier with mute function

BA3406AF

The BA3406AF is a multi-function dual-channel preamplifier with a built-in mute circuit and a time-constant switching circuit for use with metal tape. The output circuits have diodes, and can be connected to other circuits in parallel, which eliminates the need for switches. The mute circuit is independent of the preamplifier block, and can be used to mute the whole system.

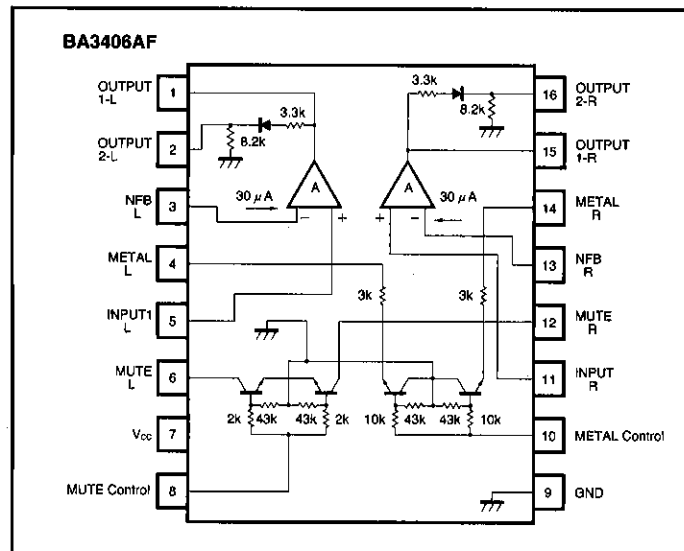
● Applications

Car stereos, radio cassette players, and tape decks

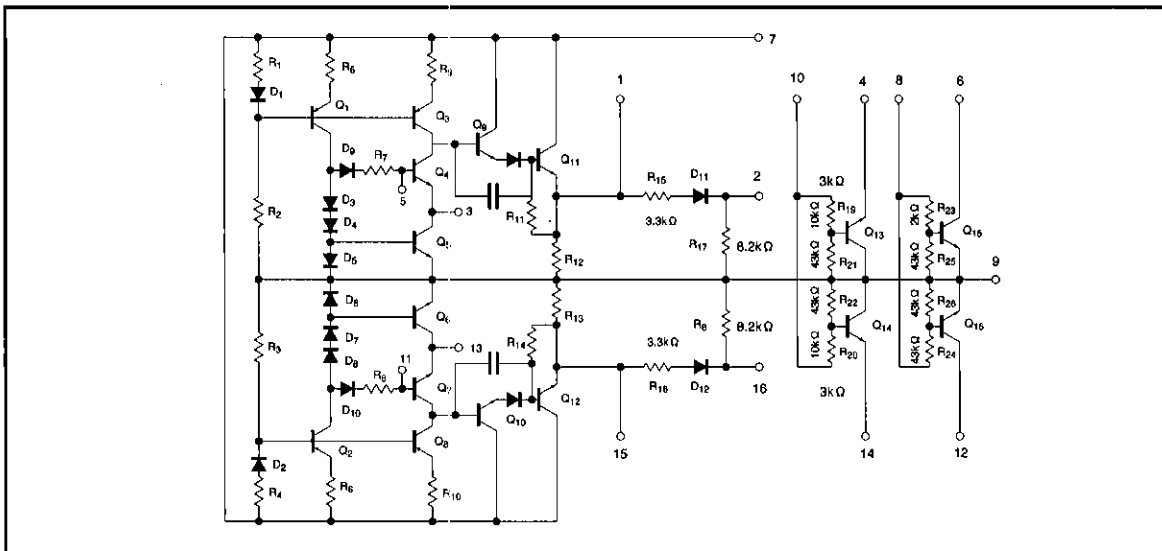
● Features

- 1) Wide operating voltage supply range (6V to 14V).
- 2) Low noise ($V_{NIN} = 1.0 \mu V_{rms}$ typ.).
- 3) High open-circuit voltage gain ($G_{VO} = 80dB$ typ. at pins 1 and 15).
- 4) Two channels on one chip, providing good channel balance.
- 5) Emitter-follower outputs for low output impedance.
- 6) Built-in switching circuit for use with metal tape.
- 7) Built-in mute circuit.
- 8) Mute and metal-tape circuits are independent from the preamplifier circuit to allow greater design freedom.
- 9) The output circuits have diodes to prevent current backflow and enable parallel connection to other circuits.
- 10) The resistor for the CR circuit that sets the metal-tape circuit time constant to $70 \mu S$ is on the chip. Setting the time constant only requires addition of an external capacitor.

● Block diagram



● Internal circuit diagram



● Absolute maximum ratings (Ta = 25°C)

Parameter	Symbol	Limits	Unit
Supply voltage	V _{CC}	16	V
Power dissipation	P _d	500*	mW
Operating temperature	T _{opr}	-25~75	°C
Storage temperature	T _{stg}	-55~125	°C

* Reduced by 5.0mW for each increase in Ta of 1°C over 25°C.

● Recommended operating conditions (Ta = 25°C)

Parameter	Symbol	Min.	Typ.	Max.	Unit
Supply voltage	V _{CC}	6	8	14	V

● Electrical characteristics (unless otherwise specified Ta = 25°C and V_{CC} = 8V)

Parameter	Symbol	Min.	Typ.	Max.	Unit	Conditions
Quiescent current	I _Q	—	3.0	4.5	mA	V _{IN} =0V _{rms}
Open-circuit voltage gain (pins 1 and 15)	G _{VO}	75	80	—	dB	V _{OUT} =0.3V _{rms} , f=1kHz
Input conversion-noise voltage	V _{NIN}	—	1.0	2.0	μV _{rms}	V _{IN} =0V _{rms} , R _g =2.2kΩ
Maximum output voltage (pins 1 and 15)	V _{OM}	1.0	1.4	—	V _{rms}	THD=1%, f=1kHz
Interchannel crosstalk	CT	50	65	—	dB	f=1kHz, R _g =2.2kΩ
Total harmonic distortion (pins 1 and 15)	THD	—	0.1	0.6	%	V _{OUT} =0.3V _{rms}
Channel balance	CB	—	0	1.5	dB	V _{OUT} =0.3V _{rms}
Input resistance	R _{IN}	50	—	—	kΩ	—

Measurement circuit

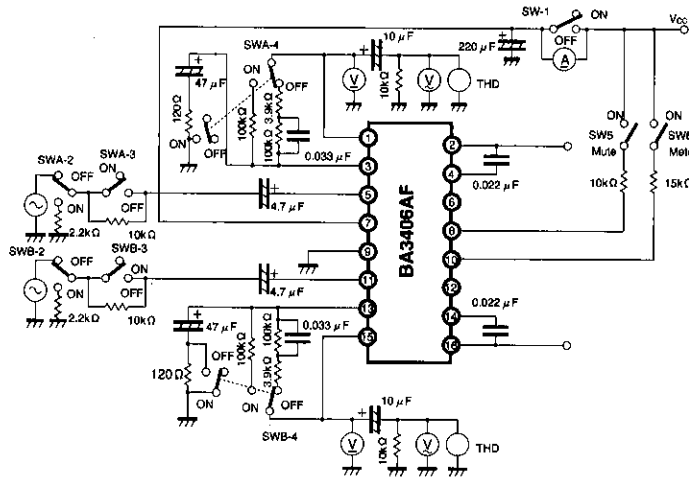


Fig.1

Application example

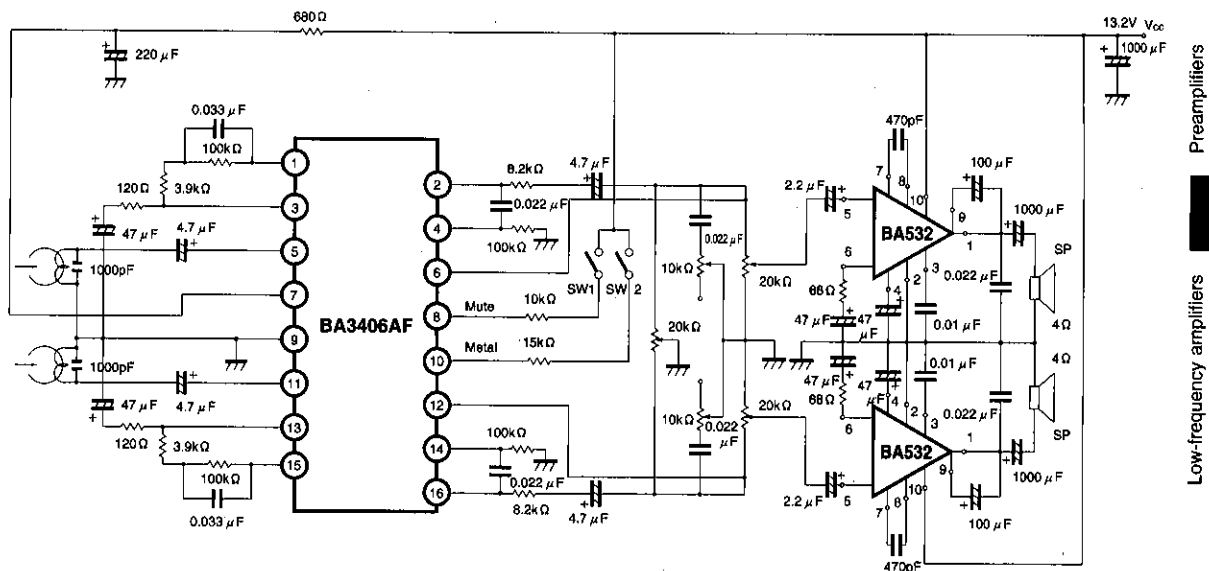


Fig.2

● Electrical characteristics curves

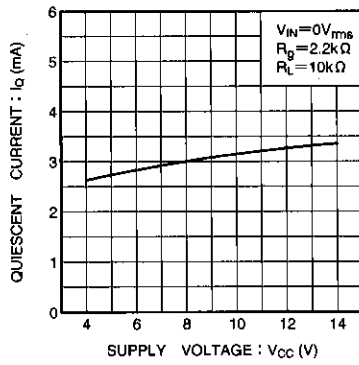


Fig. 3 Quiescent current vs. supply voltage

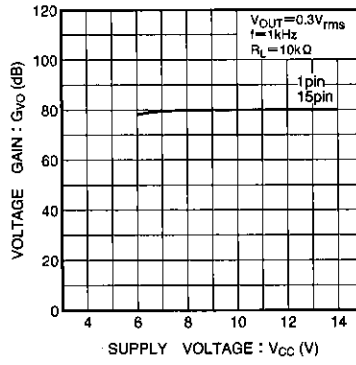


Fig. 4 Voltage gain vs. supply voltage

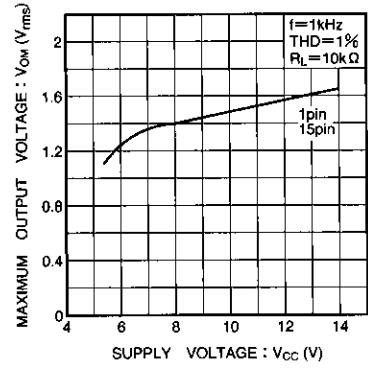


Fig. 5 Maximum output voltage vs. supply voltage

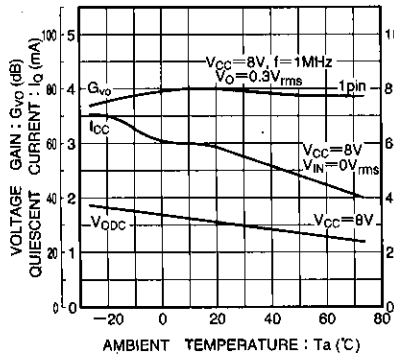


Fig. 6 Voltage gain, quiescent current and output voltage vs. ambient temperature

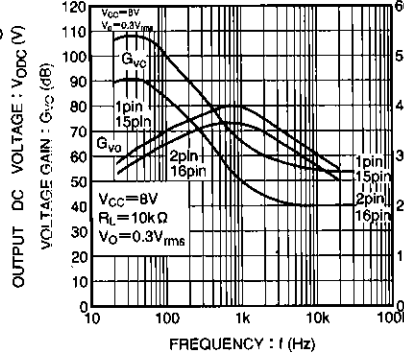


Fig. 7 Voltage gain vs. frequency

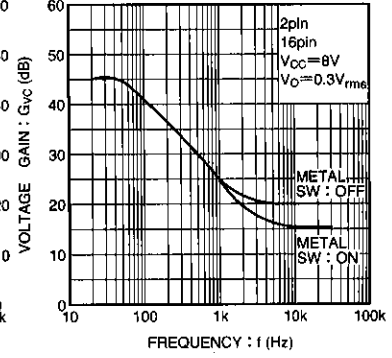


Fig. 8 Metal tape equalizer characteristics

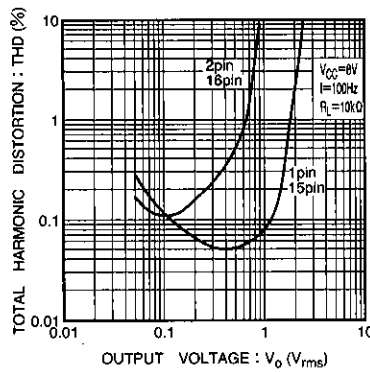


Fig. 9 Distortion vs. output voltage

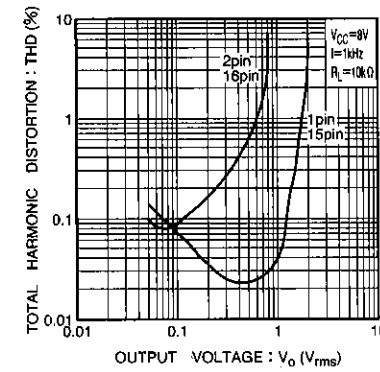


Fig. 10 Distortion vs. output voltage

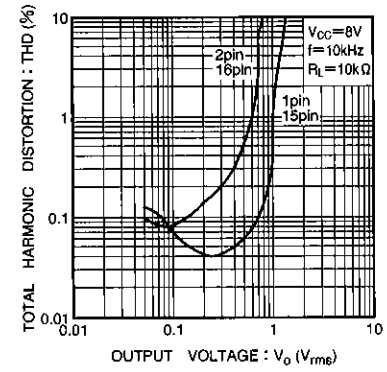


Fig. 11 Distortion vs. output voltage

●Electrical characteristics curves

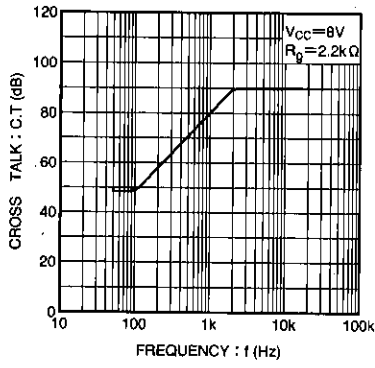


Fig. 12 Crosstalk

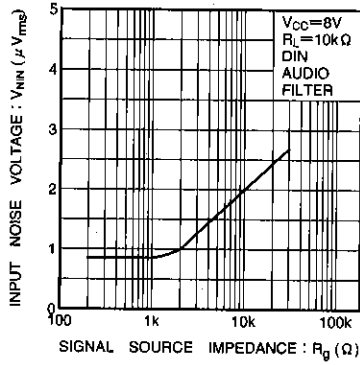


Fig. 13 Input conversion-noise voltage vs. signal source resistance

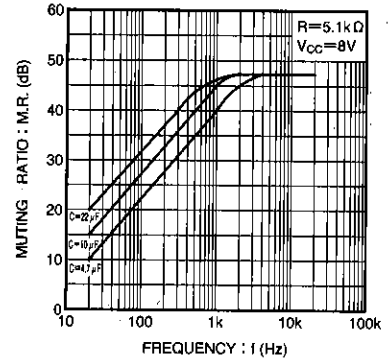


Fig. 14 Muting ratio vs. frequency

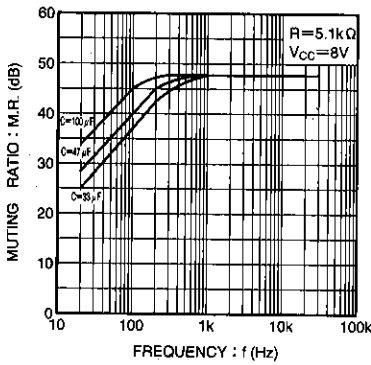


Fig. 15 Muting ratio vs. frequency

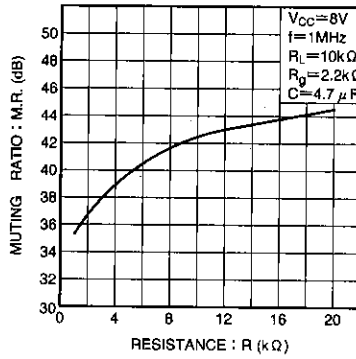
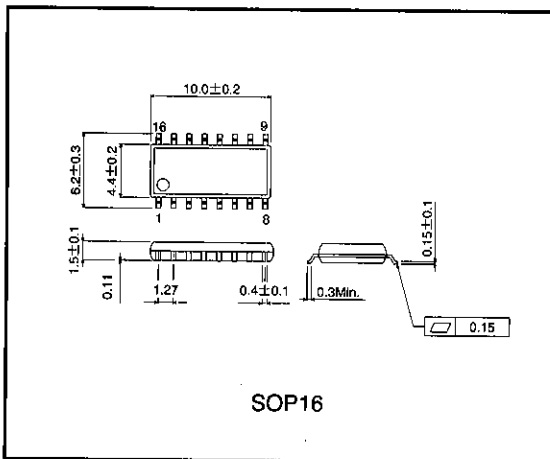


Fig. 16 Muting ratio vs. frequency

●External dimensions (Unit: mm)



Notes

- The contents described in this catalogue are correct as of March 1997.
- No unauthorized transmission or reproduction of this book, either in whole or in part, is permitted.
- The contents of this book are subject to change without notice. Always verify before use that the contents are the latest specifications. If, by any chance, a defect should arise in the equipment as a result of use without verification of the specifications, ROHM CO., LTD., can bear no responsibility whatsoever.
- Application circuit diagrams and circuit constants contained in this data book are shown as examples of standard use and operation. When designing for mass production, please pay careful attention to peripheral conditions.
- Any and all data, including, but not limited to application circuit diagrams, information, and various data, described in this catalogue are intended only as illustrations of such devices and not as the specifications for such devices. ROHM CO., LTD., disclaims any warranty that any use of such device shall be free from infringement of any third party's intellectual property rights or other proprietary rights, and further, assumes absolutely no liability in the event of any such infringement, or arising from or connected with or related to the use of such devices.
- Upon the sale of any such devices; other than for the buyer's right to use such devices itself, resell or otherwise dispose of the same; no express or implied right or license to practice or commercially exploit any intellectual property rights or other proprietary rights owned or controlled by ROHM CO., LTD., is granted to any such buyer.
- The products in this manual are manufactured with silicon as the main material.
- The products in this manual are not of radiation resistant design.

The products listed in this catalogue are designed to be used with ordinary electronic equipment or devices (such as audio-visual equipment, office-automation equipment, communications devices, electrical appliances, and electronic toys). Should you intend to use these products with equipment or devices which require an extremely high level of reliability and the malfunction of which would directly endanger human life (such as medical instruments, transportation equipment, aerospace machinery, nuclear-reactor controllers, fuel controllers, or other safety devices) please be sure to consult with our sales representatives in advance.

- Notes when exporting
 - It is essential to obtain export permission when exporting any of the above products when it falls under the category of strategic material (or labor) as determined by foreign exchange or foreign trade control laws.
 - Please be sure to consult with our sales representatives to ascertain whether any product is classified as a strategic material.