

## 4-Mode Preset Equalizer IC

**PT2381**

---

---

### Description

PT2381 is a pre-set equalizer IC utilizing CMOS Technology specially designed for audio equipment. It features four sound selections, namely: Classical, Pops, Rock and Normal/Flat which may be selected by the 2 control pins (SW1 and SW2).

PT2381 has 2 built-in channels - each containing an internal operation amplifier and selectable resistors. Thus, least external components are used. By connecting only 3 capacitors to each channel, the high performance pre-set equalizing function of this IC is achieved. Pin assignments and application circuit are optimized for easy PCB layout and cost saving for audio applications. PT2381 is housed in a 16-Pin DIP or SO Package and is suitable for stereo applications.

### Features

- CMOS Technology
  - Least External Components
  - Enhanced Effects of PT2380
  - Available in 16 Pins, DIP or SO Package
  - 4 Sound Effect Selections Available: Classical, Pops, Rock, and Normal/Flat
  - Wide Operating Voltage Range:  $V_{cc} = 2 \sim 15 \text{ V}$
  - Two Channels in the one chip
  - Can be controlled by Micro-Processor Output Pin which is compatible with TA2078, M62412
- Interface Definition

### Applications

- Mini Compo
- Car Stereo
- Radio Cassette Recorders
- Multi-Media Speaker
- MPEG Card
- Mini Walk-Man
- Other Audio Equipment

---

---

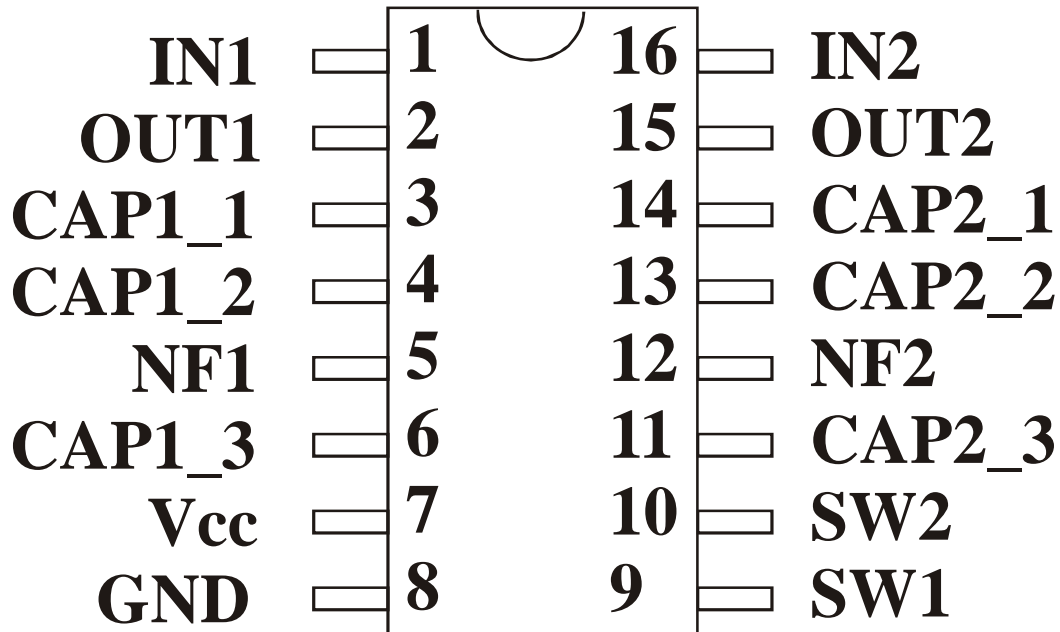
**4-Mode Preset Equalizer IC**

**PT2381**

---

---

Pin Configuration



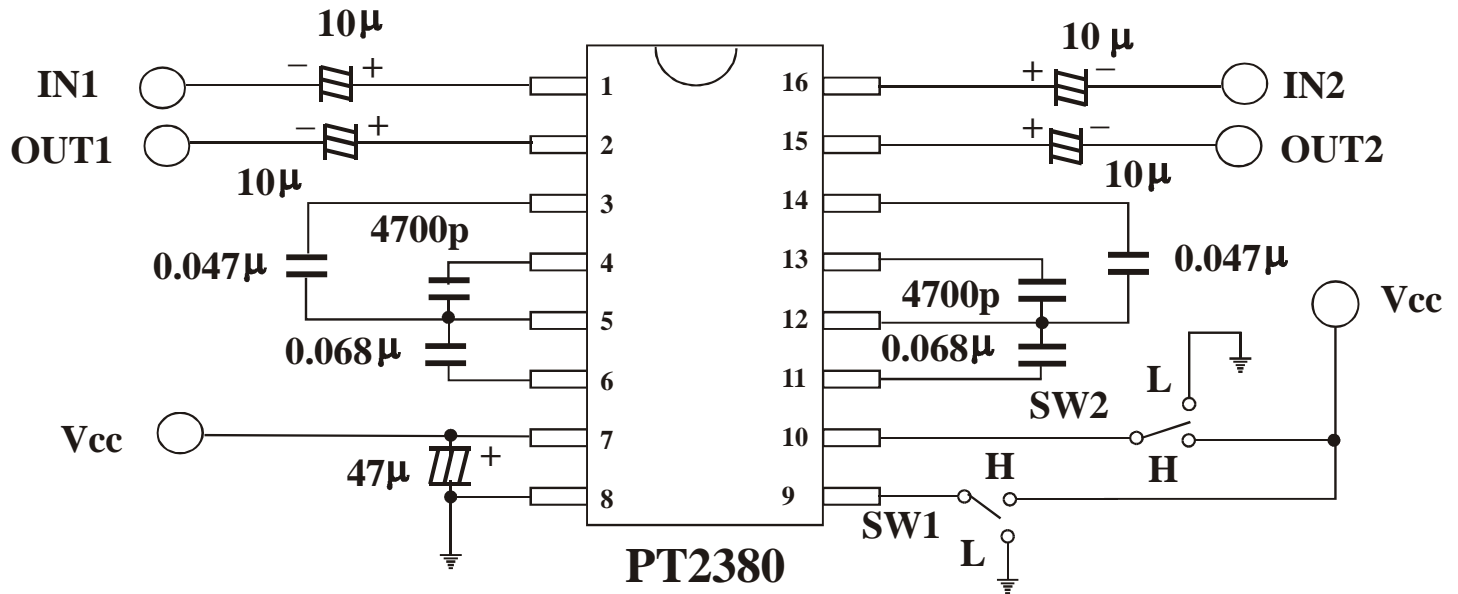
**PT 2380**

*PT2381 Pin Configuration*

## 4-Mode Preset Equalizer IC

## PT2381

### Application Circuits

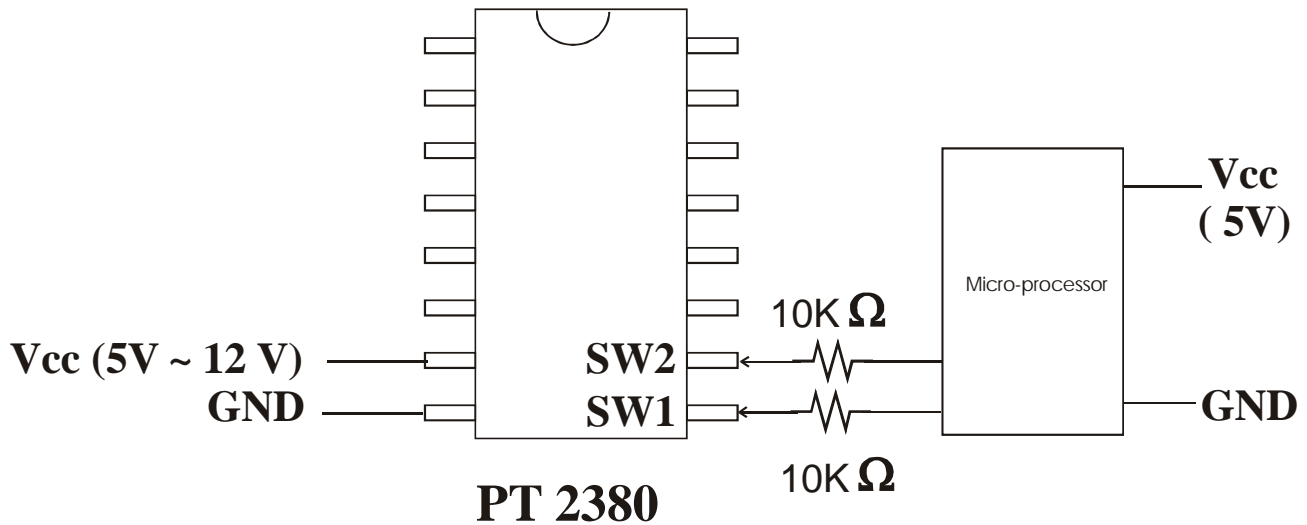


*PT2381 Application Circuit*

Note: The Capacitor's Polarity of Pins: IN1, IN2, OUT1, OUT2 are dependent on the applied DC Level of Pins IN1, IN2, OUT1, OUT2.

**4-Mode Preset Equalizer IC**

**PT2381**



*PT2381 Application Circuit with Micro-Controller Connection*

**Order Information**

Valid Part Number	Package Type
PT2381	16 Pins, DIP Package
PT2381-S	16 Pins, SOP (300 mil)