

Infrared Remote Control Transmitter**PT2266**

DESCRIPTION

PT2266 is a remote control transmitter utilizing CMOS Technology specially designed for use on infrared applications. It has 64 functions and a total of 76 commands can be transmitted. Housed in 24 pins DIP package, PT2266 has 2 address bits. PT2266 is functionally compatible with M50462AP.

FEATURES

- * High Performance CMOS Technology
- * Low Power Consumption
 - At Stand-by Mode, $V_{cc} = 3V \dots\dots 3 \mu W$ (max.)
 - At Normal Operation, $V_{cc} = 3V \dots 0.6 mW$ (max.)
- * Least External Components
- * Up to 76 Instructions
- * Double Key Operation is possible.

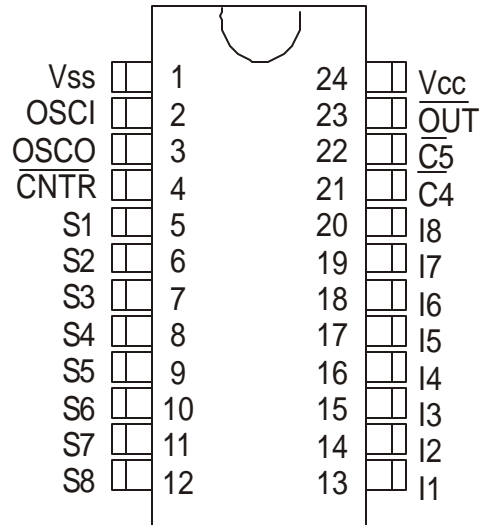
APPLICATIONS

- * Television (TV) Remote Control Transmitter
- * Video Cassette Recorder (VCR) Remote Control Transmitter

Infrared Remote Control Transmitter

PT2266

PIN CONFIGURATION



PT2266

Order Information

Part Number	Package
PT2266	24 Pins, DIP

Infrared Remote Control Transmitter

PT2266

APPLICATION CIRCUIT

